



US00D869754S

(12) **United States Design Patent** (10) **Patent No.:** **US D869,754 S**
Weinberg (45) **Date of Patent:** **** Dec. 10, 2019**

(54) **VAPOR PEN MOUTHPIECE**

FOREIGN PATENT DOCUMENTS

(71) Applicant: **Mammoth Distribution**, Woodland Hills, CA (US)

DE 1179144 B 10/1964
DE 202014000343 U1 4/2014
WO 2015069392 A1 5/2015

(72) Inventor: **Eran Weinberg**, Los Angeles, CA (US)

OTHER PUBLICATIONS

(73) Assignee: **Mammoth Distribution**, Woodland Hills, CA (US)

English translation of DE 1179144 from Lexis Nexis Total Patent.
English translation of DE 202014000343 from Lexis Nexis Total Patent.

(**) Term: **15 Years**

Primary Examiner — Marissa J Cash

(21) Appl. No.: **29/686,435**

(74) *Attorney, Agent, or Firm* — Hansen IP Law PLLC

(22) Filed: **Apr. 4, 2019**

(51) **LOC (12) Cl.** **27-04**

(52) **U.S. Cl.**
USPC **D27/170; D27/194**

(57) **CLAIM**

(58) **Field of Classification Search**
USPC D27/100, 101, 162–196; D23/366;
D24/110; D19/101, 106, 115, 165, 195;
D7/416; D3/212, 247; D21/394, 573,
D21/574, 682; D9/439, 452, 451, 453,
D9/440
CPC A24F 47/00; A24F 47/002; A24F 15/12;
A24F 1/32; A24F 15/18
See application file for complete search history.

The ornamental design for a vapor pen mouthpiece, as shown and described.

DESCRIPTION

(56) **References Cited**

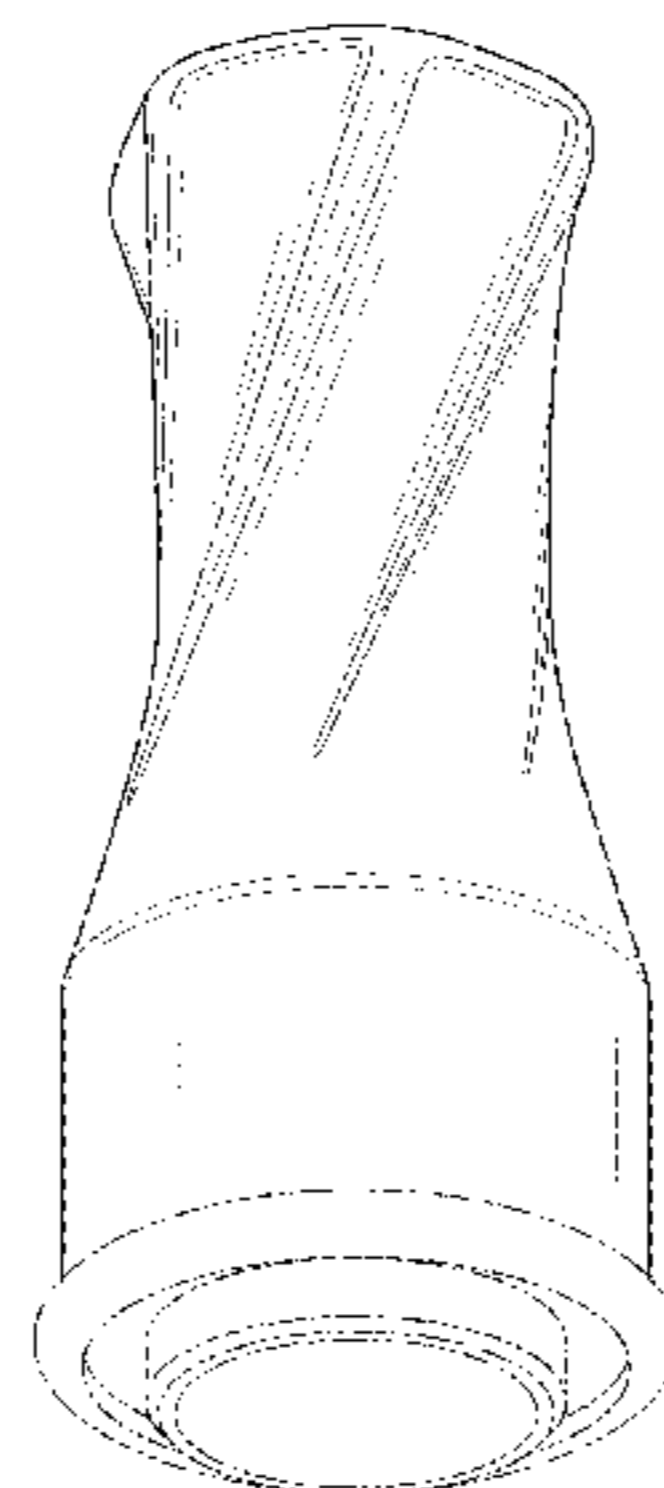
U.S. PATENT DOCUMENTS

D142,572 S 10/1945 Leipper
D155,260 S * 9/1949 Baron D9/452
D217,841 S 6/1970 Bulger et al.
D364,480 S * 11/1995 Warren, Sr. D27/183
5,551,449 A * 9/1996 Huang A24F 13/02
131/187
D387,284 S * 12/1997 Briggs D9/538
D401,011 S * 11/1998 Sloan, II D27/183
D406,065 S * 2/1999 Cheng D9/434
D408,283 S * 4/1999 Tucker D9/435
D415,681 S * 10/1999 Yourist D9/434
D475,924 S * 6/2003 Haffner D9/435
6,644,491 B2 * 11/2003 Dewig B65D 41/48
215/256

FIG. 1 is a bottom perspective view of a front side of a vapor pen mouthpiece in accordance with the claimed design; FIG. 2 is a top perspective view of the right side of the vapor pen mouthpiece of FIG. 1; FIG. 3 is a front side elevational view of the vapor pen mouthpiece of FIG. 1, with a rear side elevational view being the same; FIG. 4 is a right-side elevational view of the vapor pen mouthpiece of FIG. 1, with a left side elevational view being the same; FIG. 5 is a top plan view of the vapor pen mouthpiece of FIG. 1; and, FIG. 6 is a bottom plan view of the vapor pen mouthpiece of FIG. 1. The dash-dot-dot broken lines in the drawings represent portions of the vapor pen mouthpiece that form no part of the claim.

(Continued)

1 Claim, 5 Drawing Sheets



(56)

References Cited

U.S. PATENT DOCUMENTS

D485,639 S *	1/2004	Stroński	D27/170	9,980,522 B1 *	5/2018	Heidl	A24F 47/008
D492,065 S *	6/2004	Chang	D27/170	D825,842 S *	8/2018	Xu	D27/163
D506,929 S *	7/2005	Wu	D9/451	10,149,497 B2	12/2018	Memari et al.	
D534,799 S *	1/2007	Henry	D9/435	2010/0031968 A1 *	2/2010	Sheikh	A24F 47/008
D543,312 S	5/2007	Guan					131/347
D550,078 S *	9/2007	Henry	D9/435	2013/0180533 A1 *	7/2013	Kim	A24F 47/008
D588,741 S *	3/2009	Murdaugh, III	D27/169				131/273
D617,939 S	6/2010	Mansour et al.		2013/0263869 A1 *	10/2013	Zhu	A24F 47/002
D617,940 S	6/2010	Mansour et al.					131/329
D618,100 S *	6/2010	Rushe	D9/447	2014/0041655 A1 *	2/2014	Barron	A61M 11/042
D634,065 S	3/2011	Borushek et al.					128/202.21
D637,907 S *	5/2011	Maxa	D9/452	2014/0360514 A1 *	12/2014	Zhu	A24F 47/008
D644,105 S *	8/2011	Thielman	D9/452				131/329
D658,807 S	5/2012	Aboushi		2015/0181928 A1	7/2015	Liu	
D683,897 S	6/2013	Liu		2015/0184846 A1 *	7/2015	Liu	F22B 1/284
D712,265 S *	9/2014	Tahara	D9/452				131/329
D738,216 S *	9/2015	Martz	D9/451	2015/0189919 A1 *	7/2015	Liu	A24F 47/008
D739,601 S	9/2015	Bahbah					131/329
D744,696 S	12/2015	Malhi		2015/0257447 A1 *	9/2015	Sullivan	A24F 47/008
D754,919 S	4/2016	Alarcon et al.					131/329
D767,818 S *	9/2016	Kayvon	D27/162	2015/0342255 A1 *	12/2015	Wu	A61M 15/06
D769,519 S *	10/2016	Chen	D27/101				131/329
D772,479 S	11/2016	Stowers et al.		2015/0342258 A1 *	12/2015	Chen	H05B 3/06
D775,953 S *	1/2017	Ruthe-Steinsiek	D19/192				131/329
D776,867 S *	1/2017	Rado	D27/162	2015/0374039 A1 *	12/2015	Zhu	A24F 47/008
D779,725 S	2/2017	Bramley et al.					131/329
D780,993 S	3/2017	Bramley et al.		2016/0015082 A1 *	1/2016	Liu	A24F 47/008
D781,708 S *	3/2017	Jasso Gomez	D9/451				131/329
D799,108 S	10/2017	Meyer et al.		2016/0113327 A1 *	4/2016	Wu	H05B 3/06
D799,747 S	10/2017	Champion					131/329
D802,207 S	11/2017	Bramley et al.		2016/0219934 A1 *	8/2016	Li	A24F 47/008
D802,209 S	11/2017	Kesselman et al.		2016/0366943 A1 *	12/2016	Li	A24F 47/008
D804,718 S *	12/2017	Mathias	D27/162	2017/0238614 A1 *	8/2017	Li	A24F 47/008
D807,578 S	1/2018	Barkowski		2017/0354181 A1 *	12/2017	Fornarelli	A24F 47/008
D808,267 S *	1/2018	Jasso Gomez	D9/451	2018/0116295 A1 *	5/2018	Qiu	A24F 47/008
D813,448 S *	3/2018	Servutas	D27/167	2018/0325183 A1 *	11/2018	Huang	G01F 1/6845
D814,103 S *	3/2018	Levinson	D27/101	2018/0343923 A1 *	12/2018	Chen	A24F 47/008
D815,348 S	4/2018	Coghlan		2018/0352861 A1 *	12/2018	Qiu	A24F 47/008
D815,350 S	4/2018	Coghlan		2018/0360126 A1 *	12/2018	Chen	A24F 47/008
D818,638 S	5/2018	Wright et al.		2019/0150513 A1 *	5/2019	Servutas	A24F 47/008
				2019/0150519 A1 *	5/2019	Liu	A24F 47/008

* cited by examiner

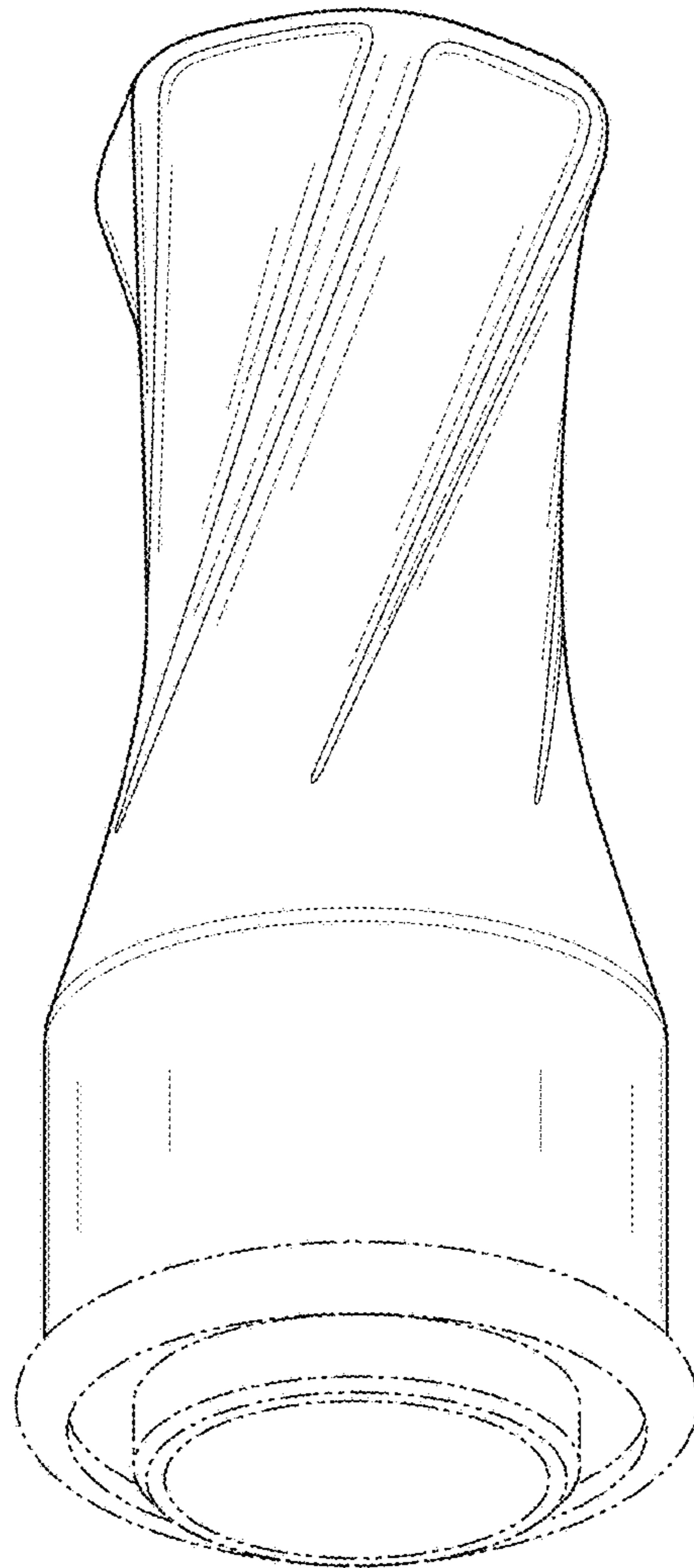


FIG. 1

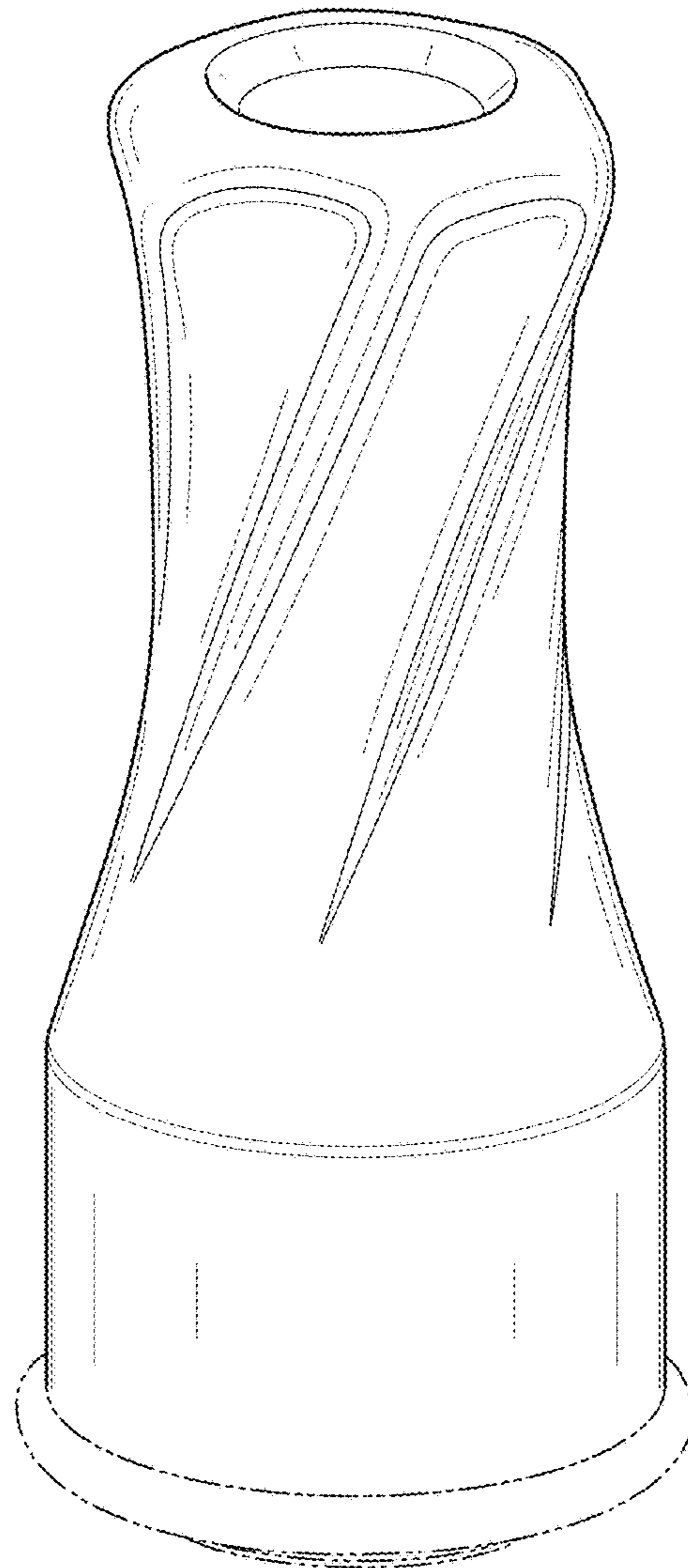


FIG. 2

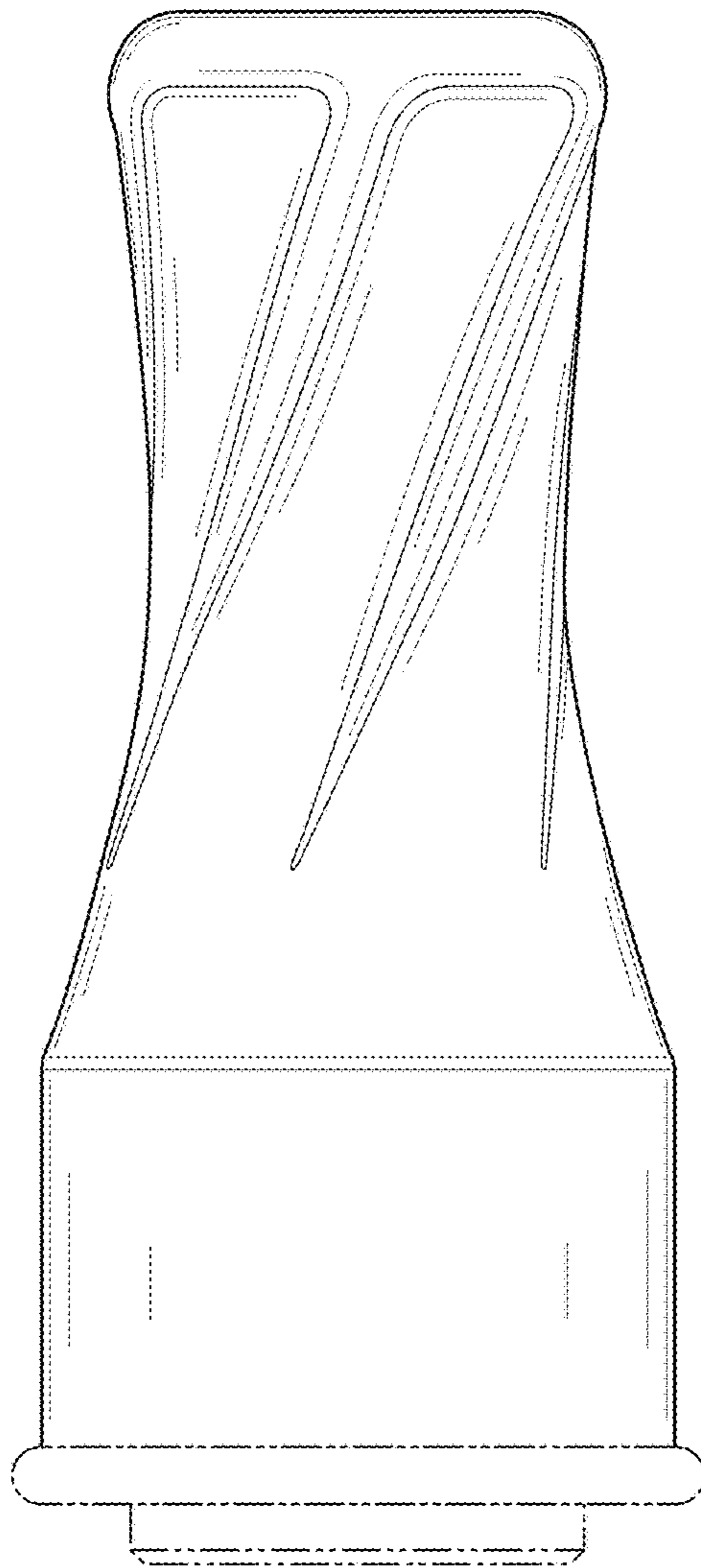


FIG. 3

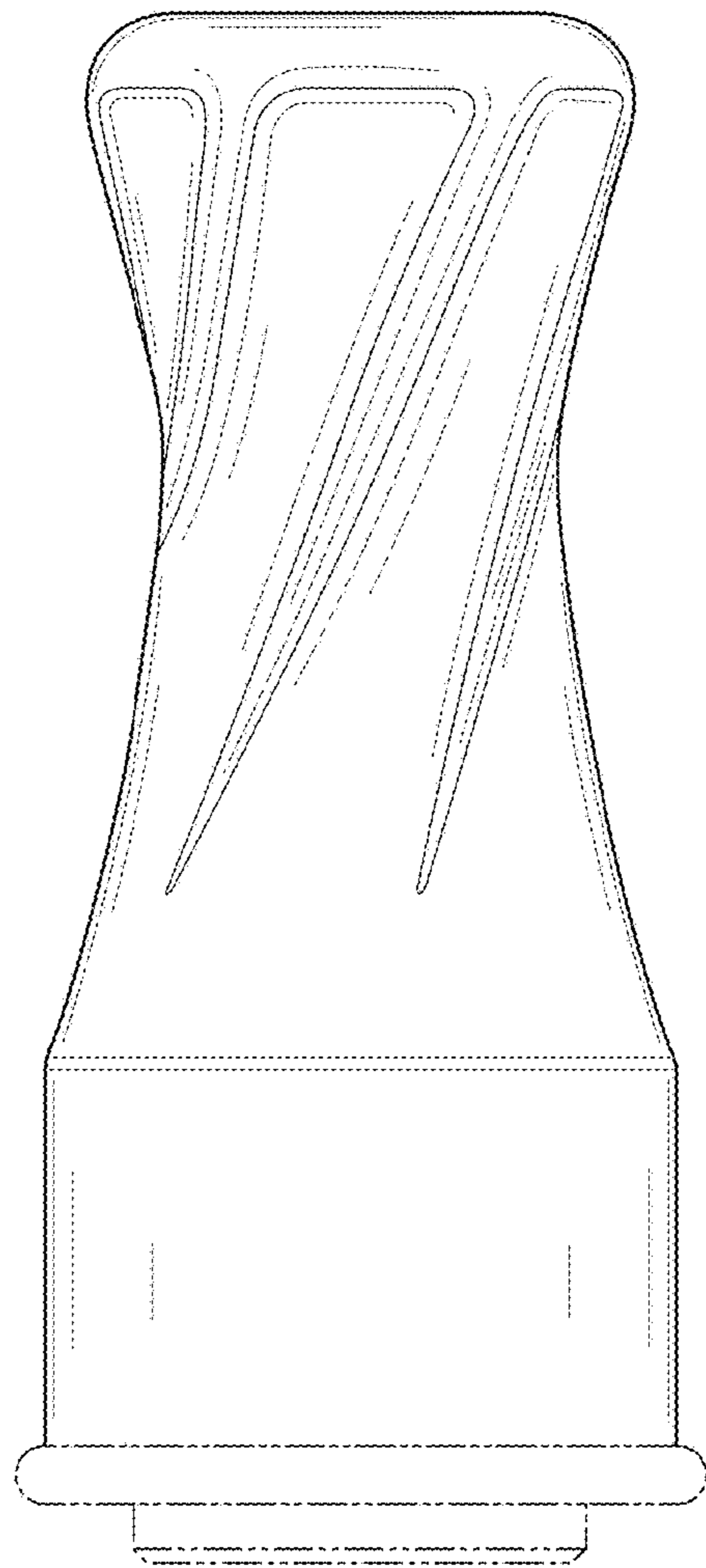


FIG. 4

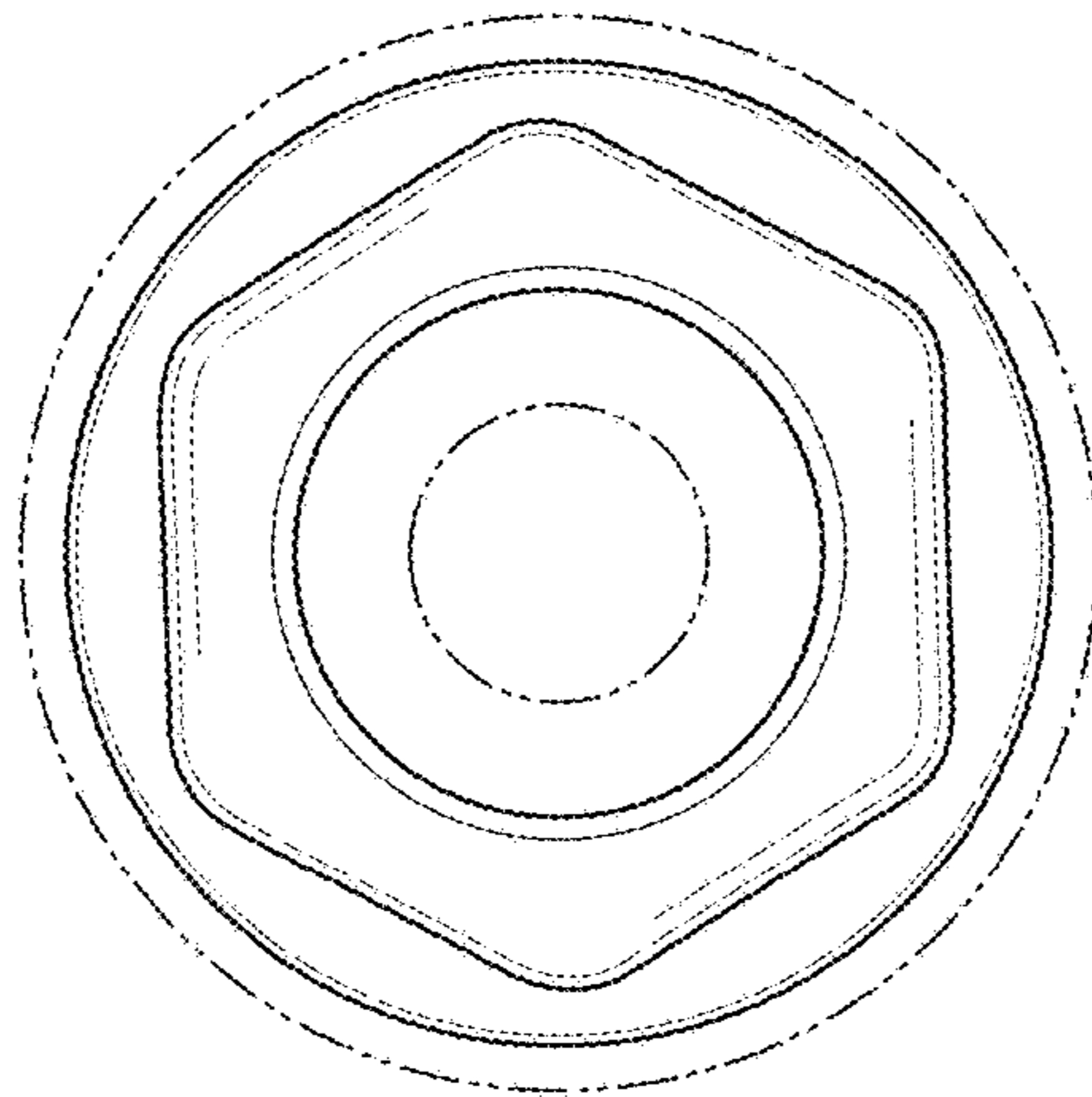


FIG. 5

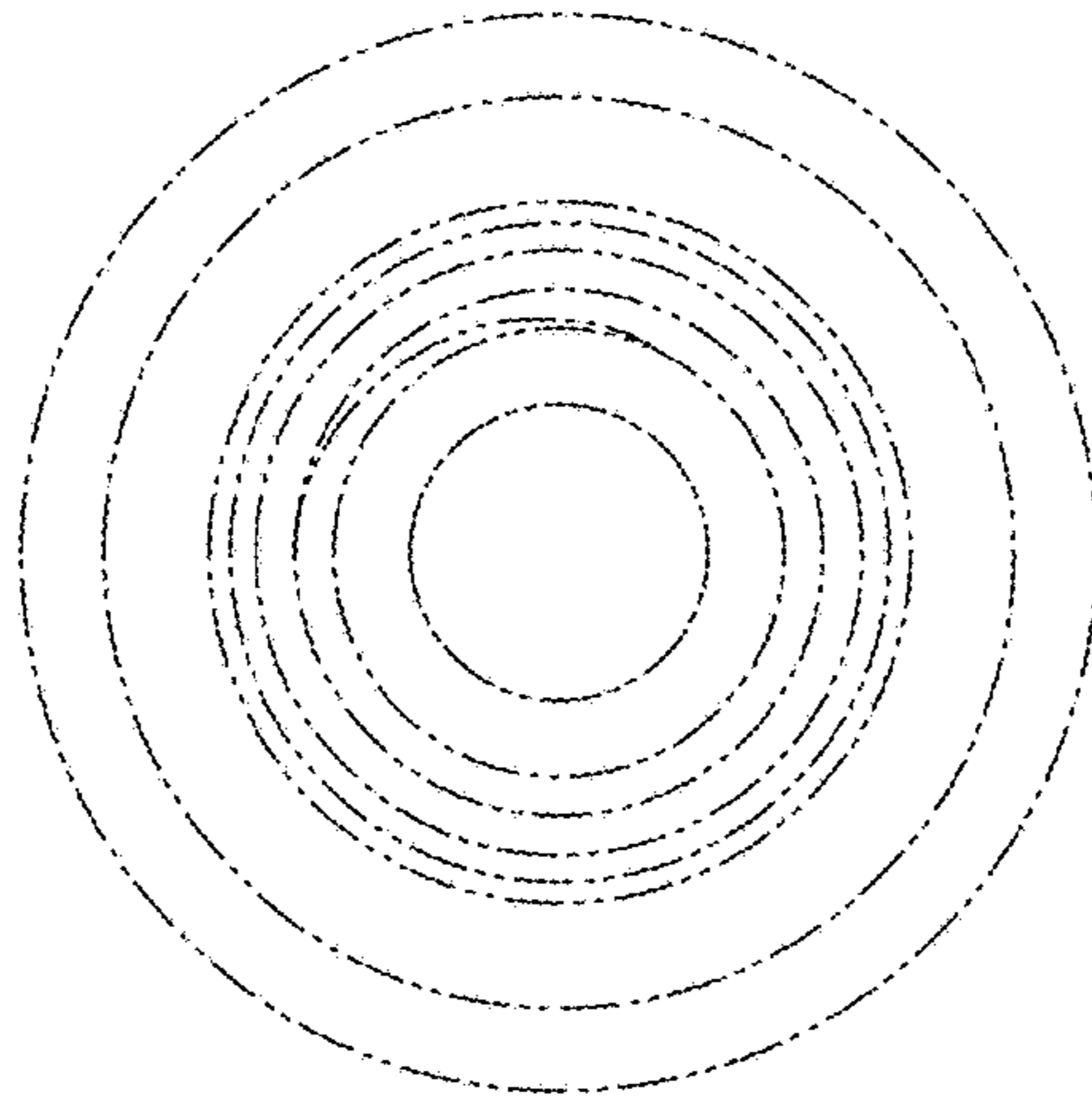


FIG. 6