



US00D869752S

(12) **United States Design Patent**
Dong

(10) **Patent No.:** **US D869,752 S**

(45) **Date of Patent:** **** Dec. 10, 2019**

(54) **ELECTRONIC CIGARETTE ATOMIZER**

(71) Applicant: **Shenzhen SKE Technology Co., Ltd.**,
Shenzhen, Guangdong (CN)

(72) Inventor: **Shen'en Dong**, Guangdong (CN)

(73) Assignee: **Shenzhen SKE Technology Co., Ltd.**,
Shenzhen (CN)

(**) Term: **15 Years**

(21) Appl. No.: **29/664,658**

(22) Filed: **Sep. 27, 2018**

(30) **Foreign Application Priority Data**

Aug. 1, 2018 (CN) 2018 3 0418811

(51) **LOC (12) Cl.** **27-02**

(52) **U.S. Cl.**
USPC **D27/162**

(58) **Field of Classification Search**

USPC D27/101, 100, 106, 108, 163, 165-169,
D27/172, 174, 175, 183, 186-190, 193,
D27/195; D24/110, 110.5; 128/202.21,
128/203.12; 131/273, 274, 270, 191, 330,
131/329, 360-365

CPC A24F 47/002; A24F 47/004; A24F 47/006;
A24F 47/008; A61M 15/00; A61M 15/06

See application file for complete search history.

(56) **References Cited**

U.S. PATENT DOCUMENTS

D729,440 S * 5/2015 Liu D27/101
D740,488 S * 10/2015 Leidel D27/167

D749,261 S * 2/2016 Chen D27/162
D792,022 S * 7/2017 Li D27/167
D799,114 S * 10/2017 Li D27/167
9,788,577 B2 * 10/2017 Liu H05B 3/0014
D805,248 S * 12/2017 Chen D27/170
D811,652 S * 2/2018 Liu D27/167
9,924,743 B2 * 3/2018 Liu A24F 47/008
D826,471 S * 8/2018 Wang D27/167
D836,243 S * 12/2018 Liu D27/167
D854,739 S * 7/2019 Li D27/162
2016/0295920 A1 * 10/2016 Liu H05B 3/0014
2017/0013881 A1 * 1/2017 Liu A24F 47/008

* cited by examiner

Primary Examiner — Marissa J Cash

Assistant Examiner — Rebecca Tsehaye

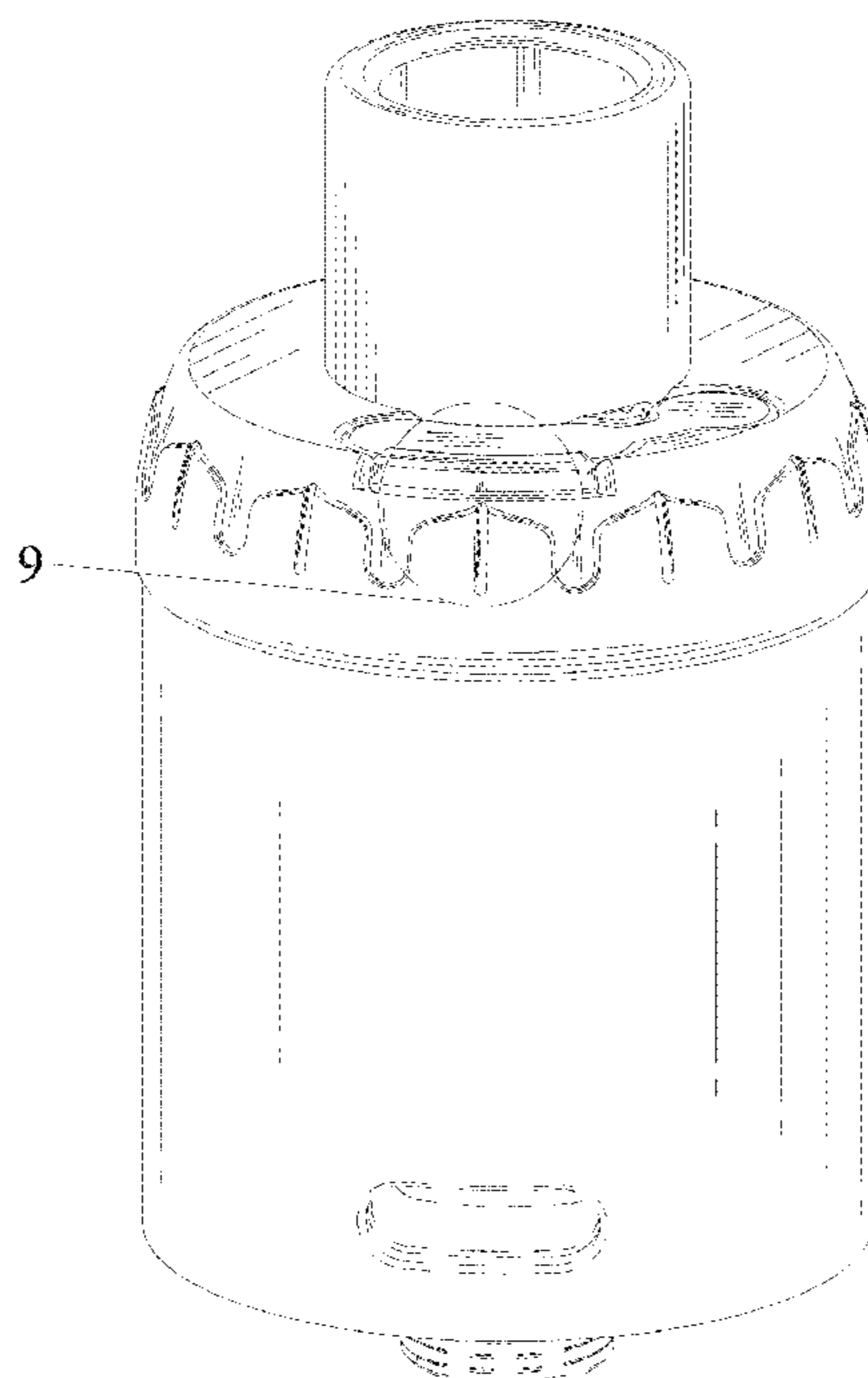
(57) **CLAIM**

The ornamental design for an electronic cigarette atomizer,
as shown and described.

DESCRIPTION

FIG. 1 is a top and front perspective view of an electronic
cigarette atomizer showing my new design;
FIG. 2 is a front elevational view thereof;
FIG. 3 is a rear elevational view thereof;
FIG. 4 is a left side view thereof;
FIG. 5 is a right side view thereof;
FIG. 6 is a top plan view thereof;
FIG. 7 is a bottom plan view thereof;
FIG. 8 is a bottom, front and left side perspective view
thereof; and,
FIG. 9 is an enlarged view of portion 9 in FIG. 1.
The broken lines in the drawings illustrate portions of the
electronic cigarette atomizer which form no part of the
claimed design.

1 Claim, 9 Drawing Sheets



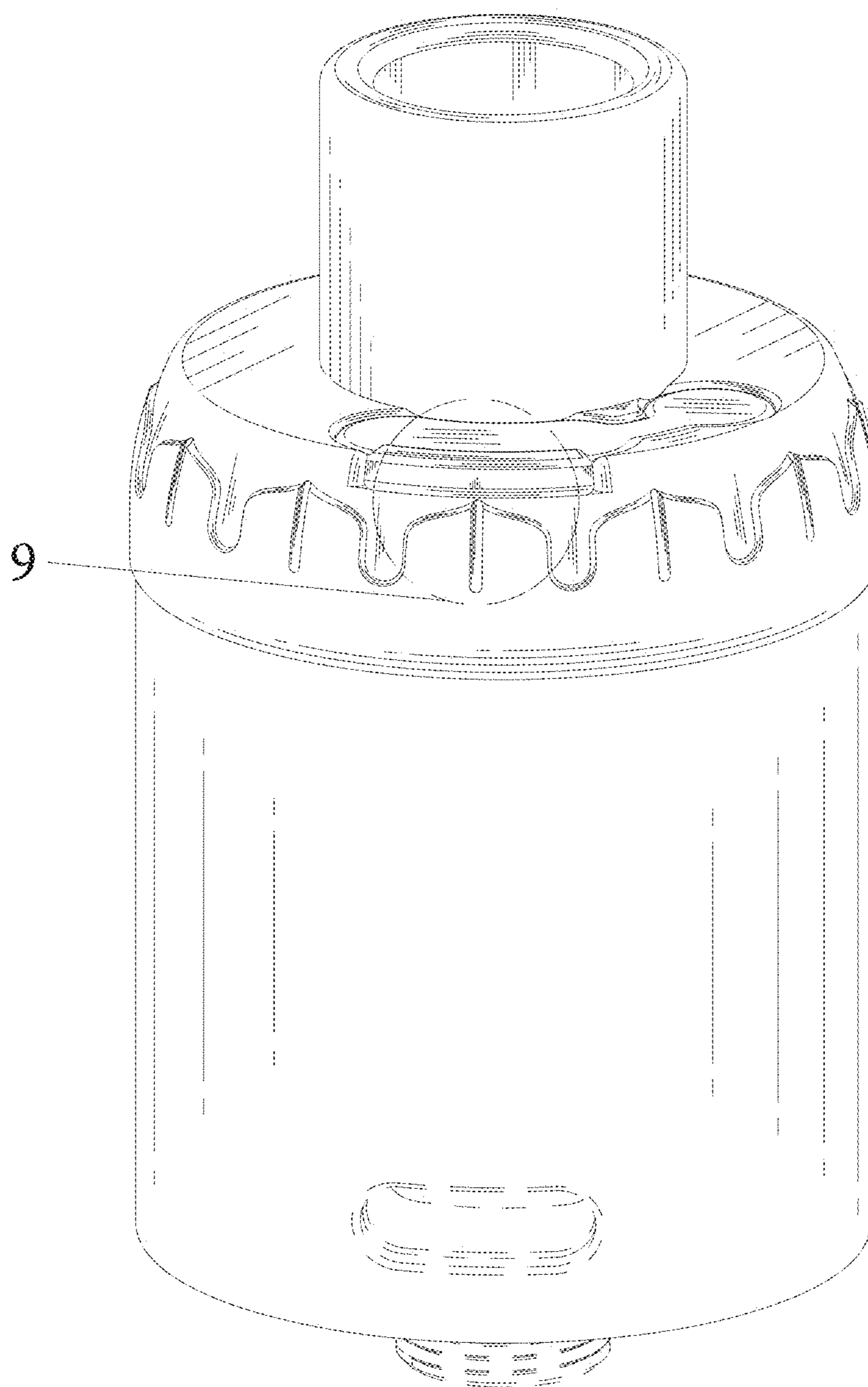


FIG. 1

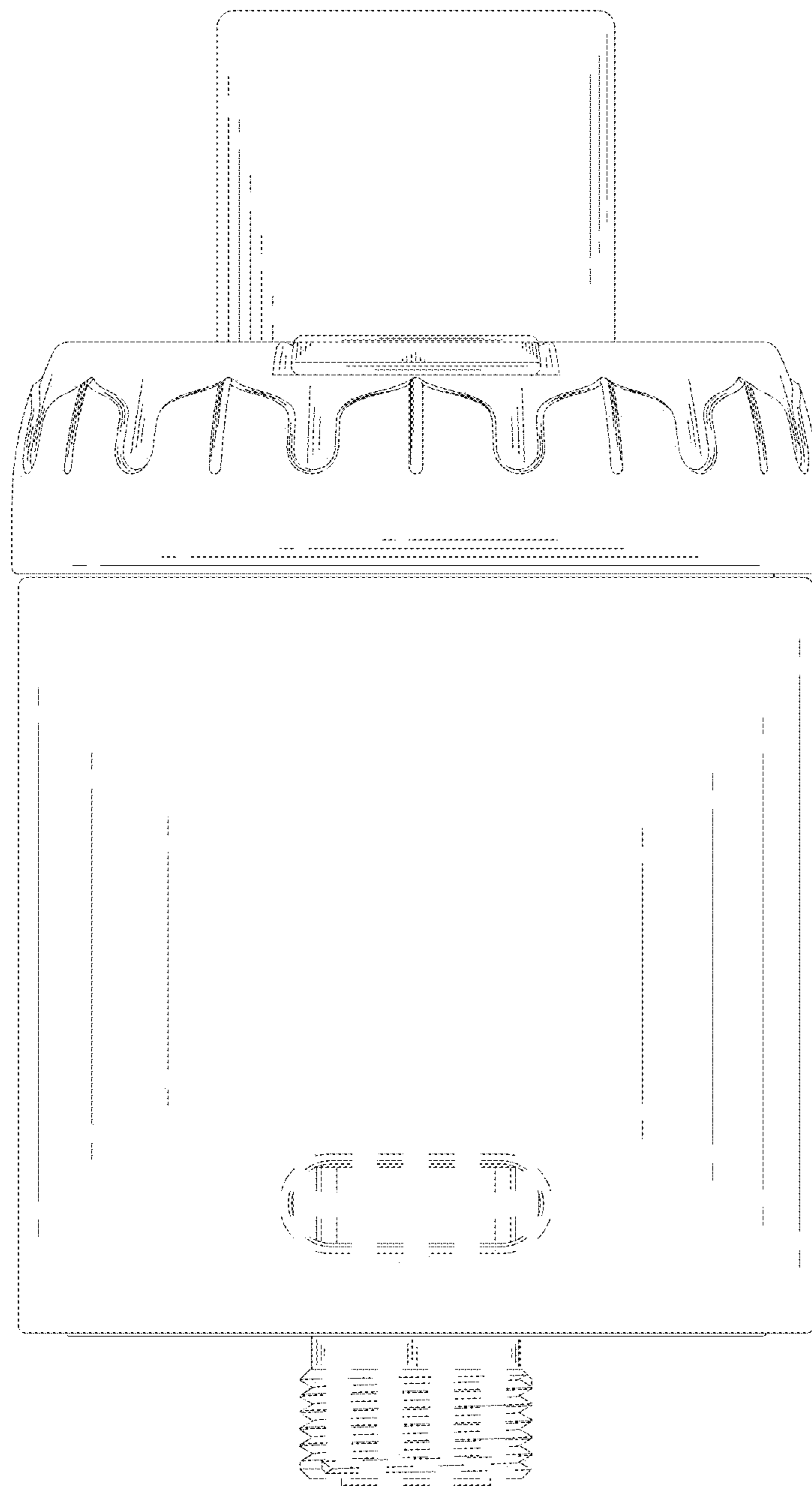


FIG. 2

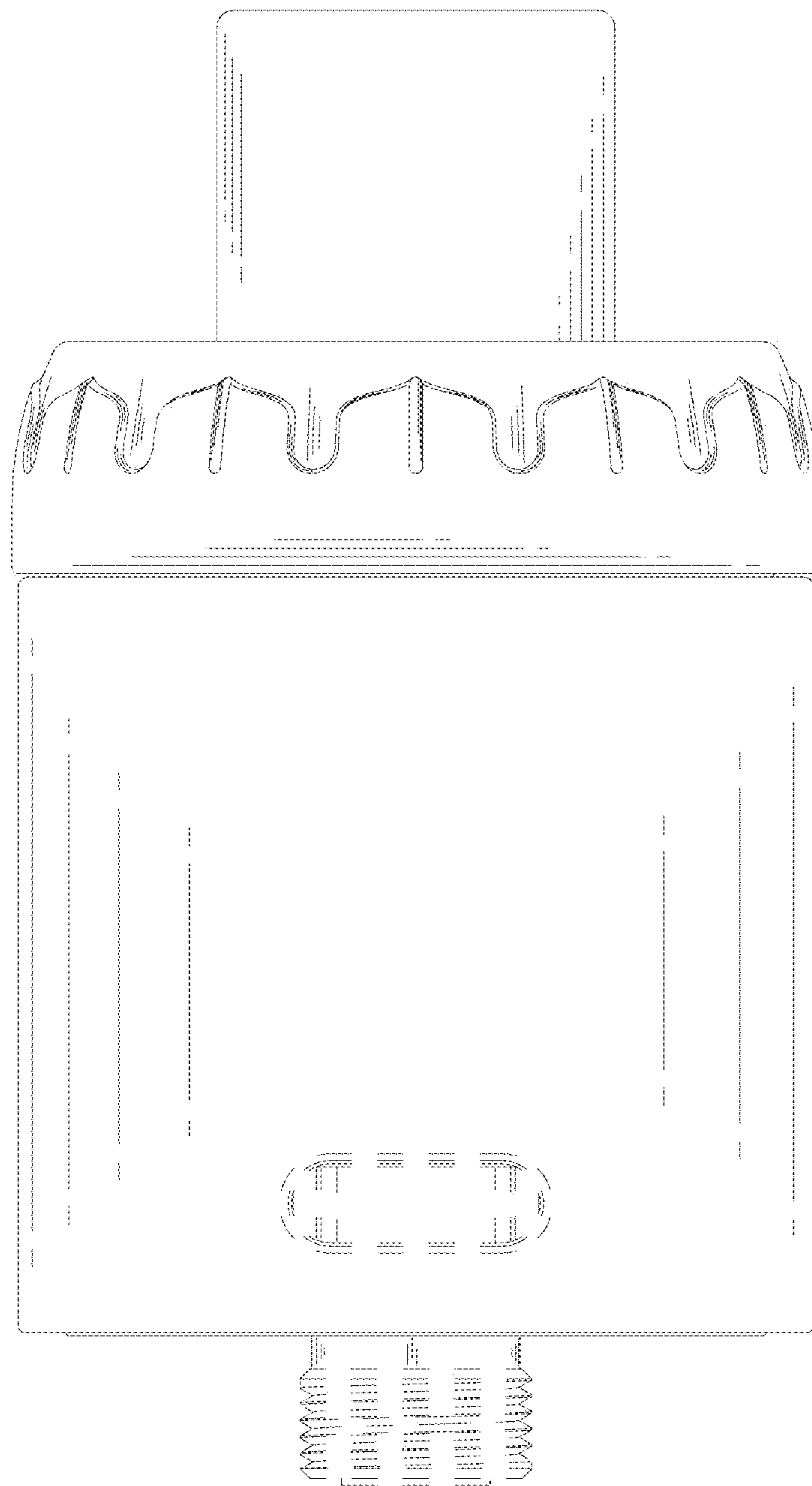


FIG. 3

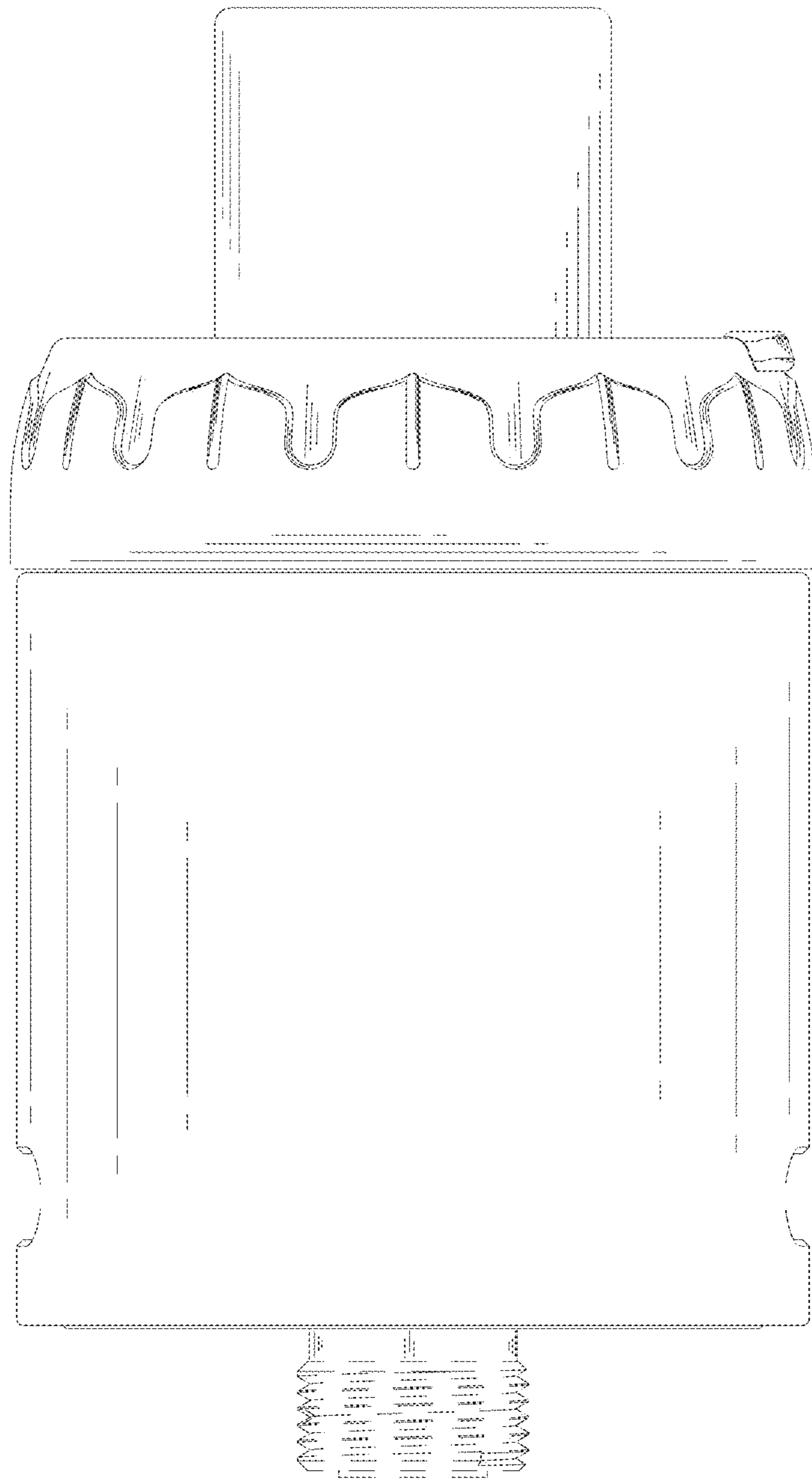


FIG. 4

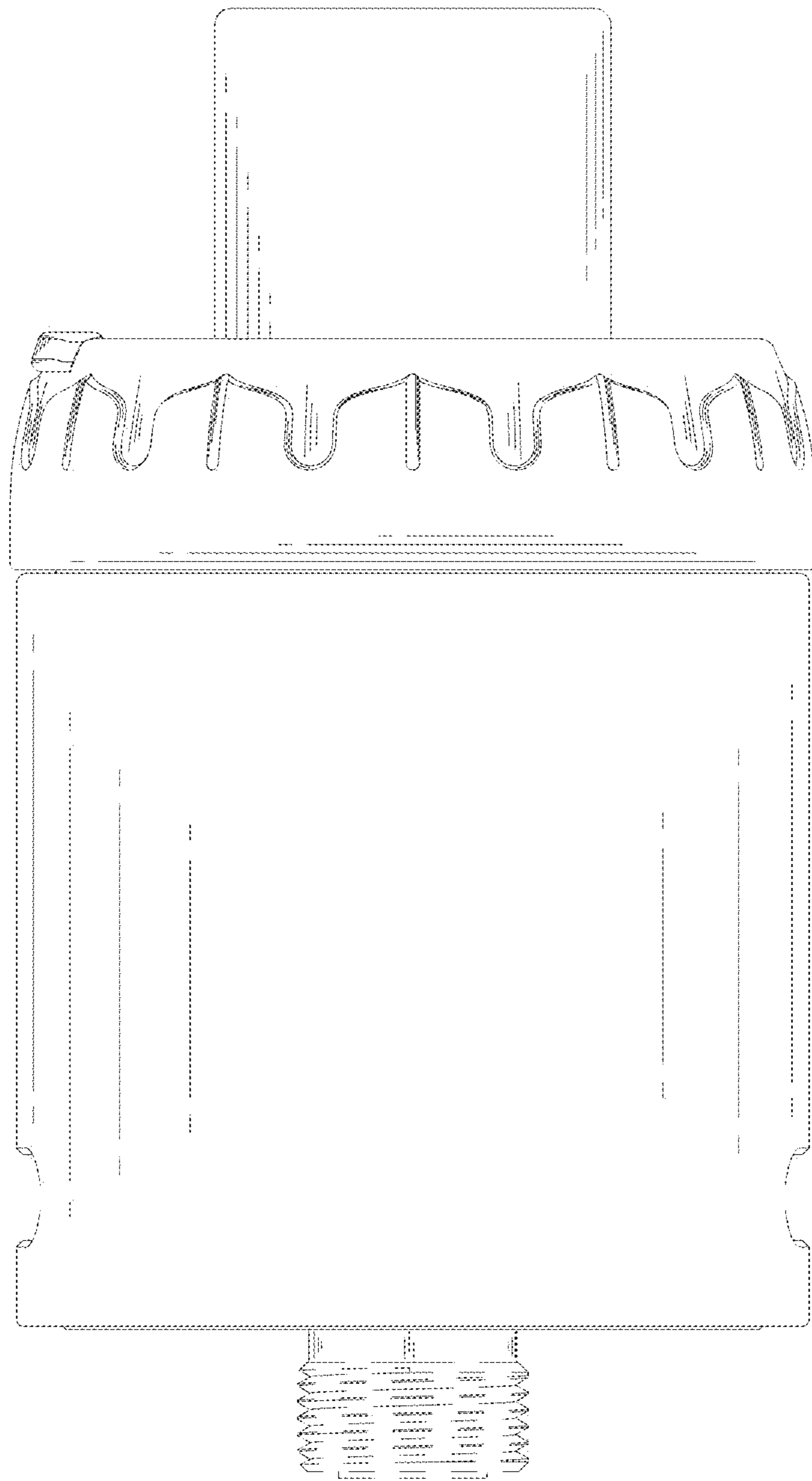


FIG. 5

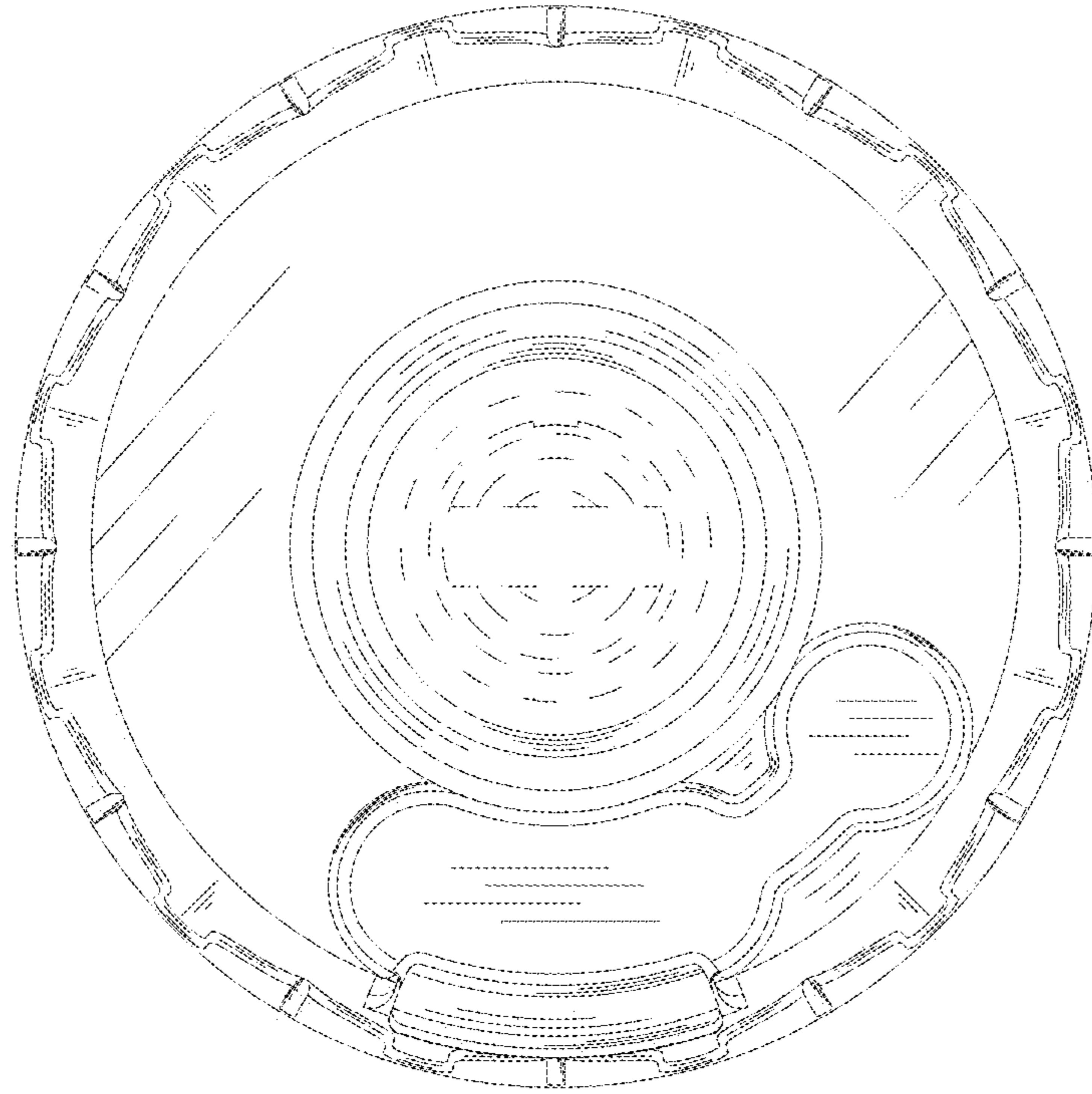


FIG. 6

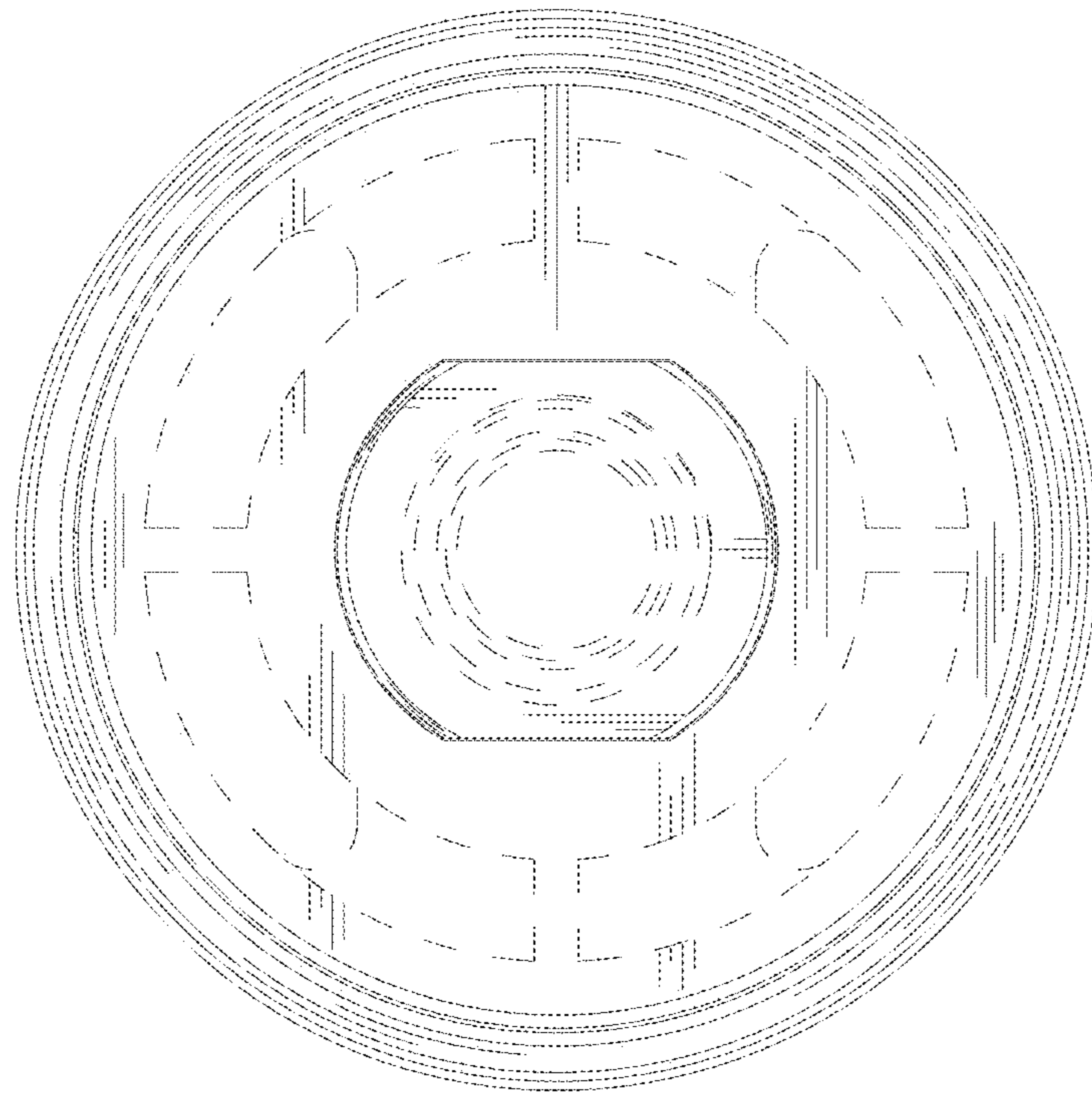


FIG. 7

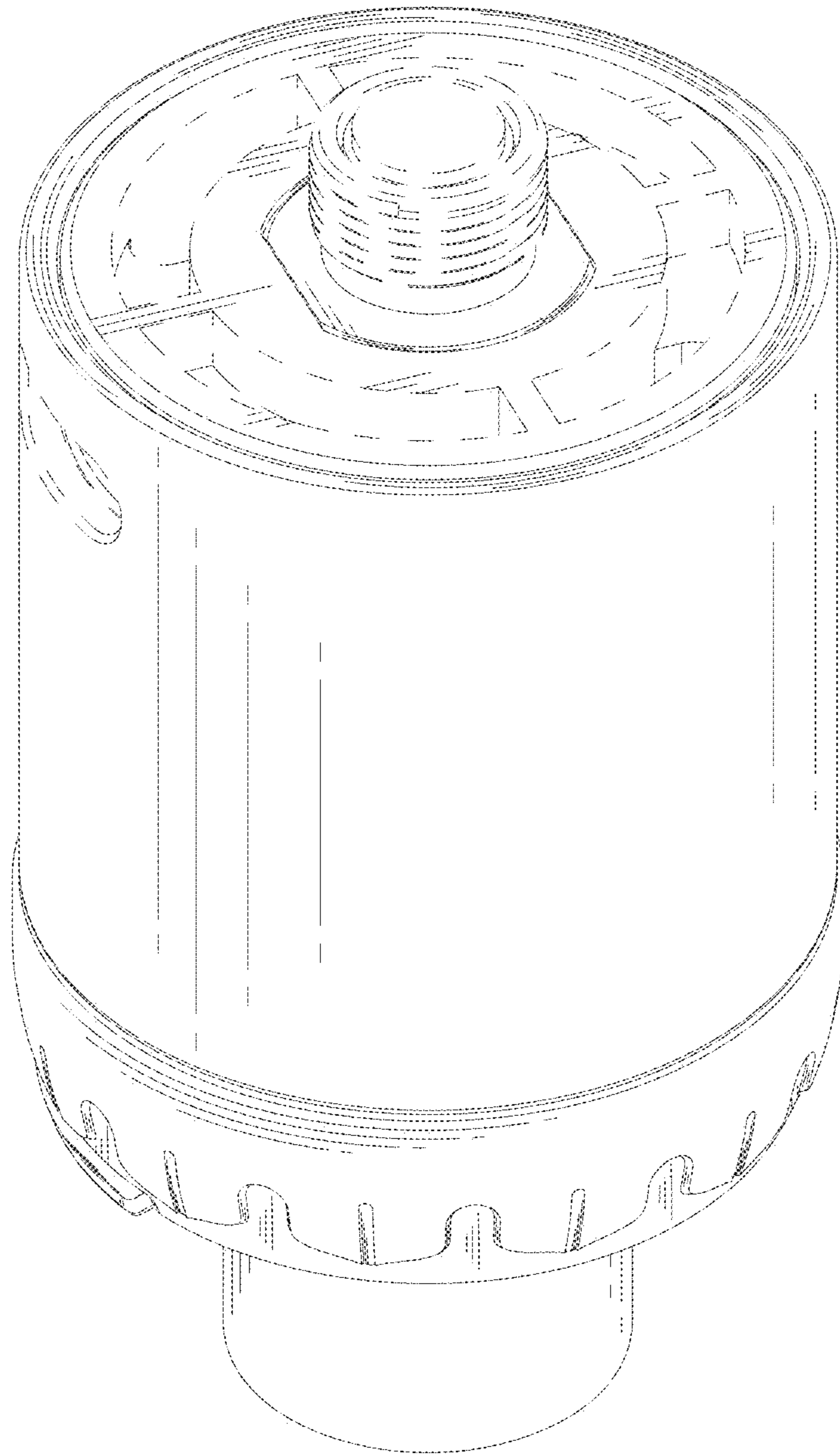


FIG. 8

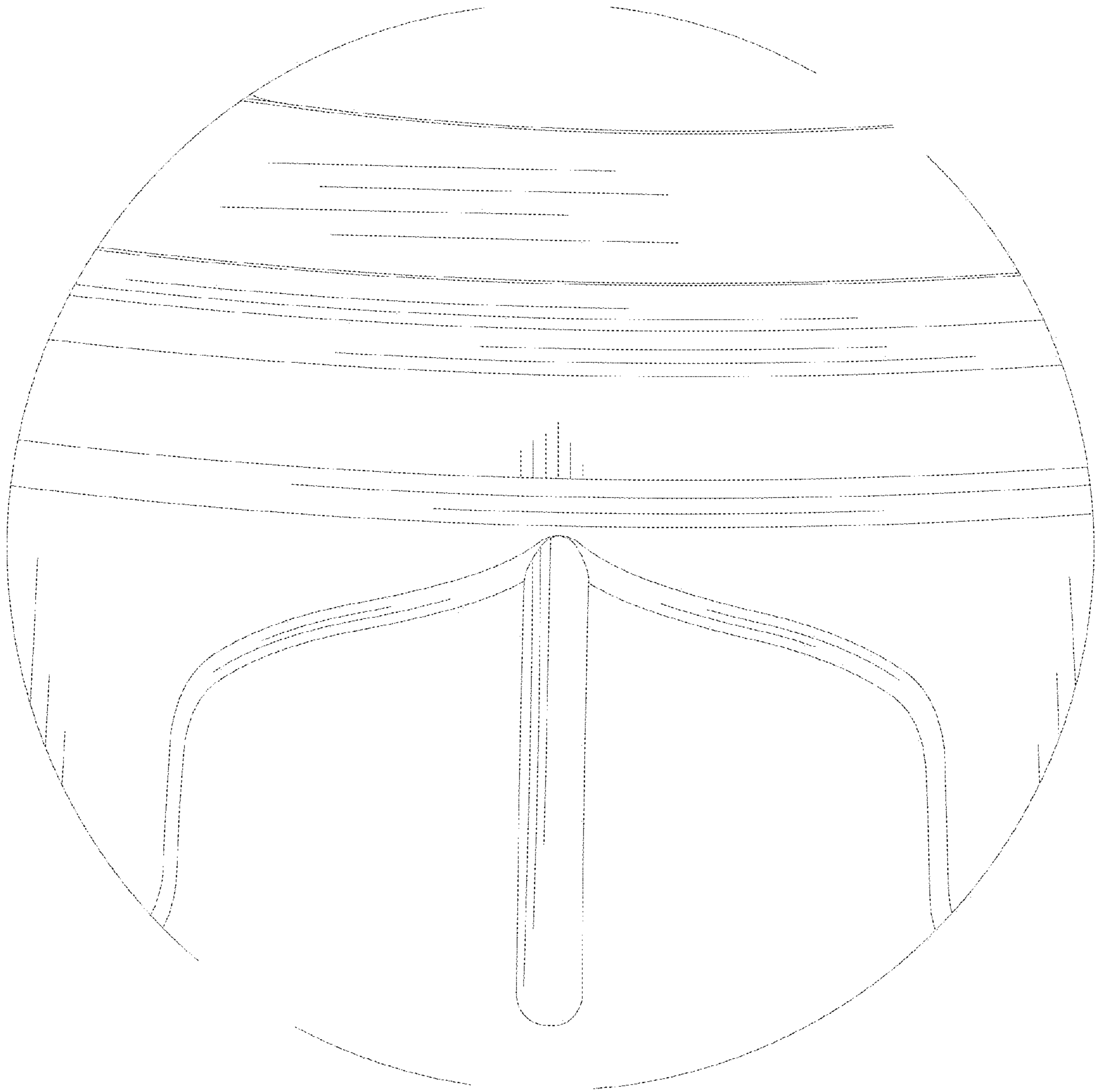


FIG. 9