



US00D869748S

(12) **United States Design Patent** (10) **Patent No.:** **US D869,748 S**  
**Lee** (45) **Date of Patent:** **\*\* Dec. 10, 2019**

(54) **LIGHTER**

(71) Applicant: **Pamela Lee**, Rowland Heights, CA (US)

(72) Inventor: **Pamela Lee**, Rowland Heights, CA (US)

(\*\*) Term: **15 Years**

(21) Appl. No.: **29/650,486**

(22) Filed: **Jun. 7, 2018**

(51) **LOC (12) Cl.** ..... **27-05**

(52) **U.S. Cl.**  
USPC ..... **D27/141**

(58) **Field of Classification Search**  
USPC ..... D27/141, 161, 159, 153, 158, 157, 139, D27/142, 148; D23/211.1; 431/273, 274, 431/350, 351  
CPC ..... F23Q 2/00; F23Q 2/02; F23Q 2/16; F23Q 2/161; F23Q 2/162; F23Q 2/164; F23Q 2/167; F23Q 7/00; F23Q 7/14; F23Q 7/16; F23Q 7/24; F23Q 7/10  
See application file for complete search history.

(56) **References Cited**

**U.S. PATENT DOCUMENTS**

D284,796 S *	7/1986	Yoshinaga	.....	D27/148
D297,269 S *	8/1988	Yoshinaga	.....	D27/148
D387,475 S *	12/1997	Maruyama	.....	D27/141
D398,050 S *	9/1998	Yoshinaga	.....	D23/415
D414,294 S *	9/1999	Mashine	.....	D27/154
D428,523 S *	7/2000	Chen	.....	D27/141
6,129,544 A *	10/2000	Chen	.....	F23Q 2/164 431/153
D444,912 S *	7/2001	Xie	.....	D27/157

D447,273 S *	8/2001	Chen	.....	D27/141
D465,978 S *	11/2002	Miyayaga	.....	D8/30
D468,482 S *	1/2003	Lin	.....	D27/157
D528,245 S *	9/2006	Smith	.....	D27/142
D538,469 S *	3/2007	Xu	.....	D27/157
D538,969 S *	3/2007	Carlton	.....	D27/148
D551,387 S *	9/2007	Smith	.....	D27/157
D664,294 S *	7/2012	Howell	.....	D27/156
D820,331 S *	6/2018	Walters	.....	D15/144
D844,405 S *	4/2019	Shen	.....	D8/29.1

\* cited by examiner

*Primary Examiner* — Susan Bennett Hattan

*Assistant Examiner* — Rebecca Tsehaye

(74) *Attorney, Agent, or Firm* — Dunlap Bennett & Ludwig PLLC

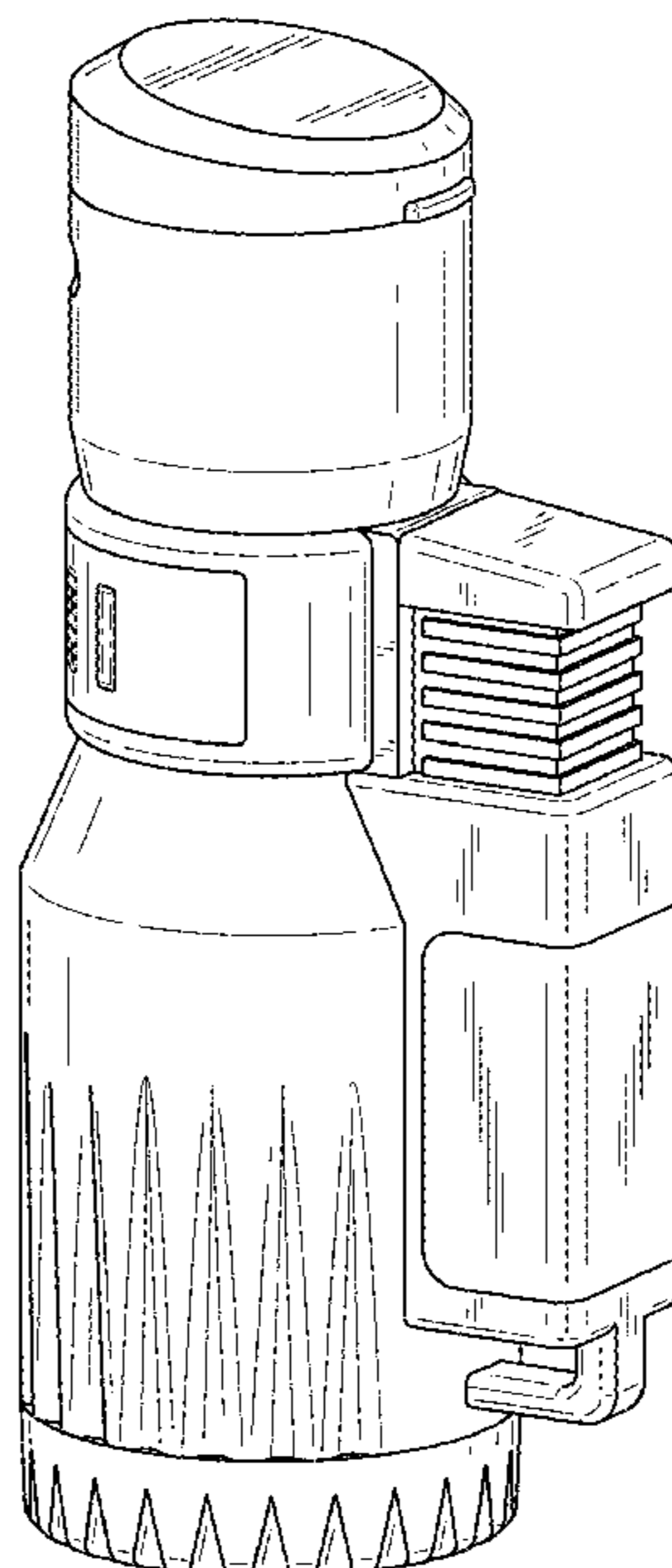
(57) **CLAIM**

The ornamental design for a lighter, as shown and described.

**DESCRIPTION**

FIG. 1 is a front perspective view of a lighter, showing my new design;  
FIG. 2 is a front elevation view thereof;  
FIG. 3 is a rear elevation view thereof;  
FIG. 4 is a left side elevation view thereof, the right side elevation view being a mirror image thereof;  
FIG. 5 is a top plan view thereof; and,  
FIG. 6 is a bottom plan view thereof.  
The evenly-sized, dot-dot-dot broken lines shown in the drawings depict portions of the lighter that form no part of the claimed design. The unevenly-sized, dot-dash-dot broken lines shown in the drawings depict the bounds of the claimed design, it being understood that the dot-dash-dot broken lines form no part of the claimed design.

**1 Claim, 3 Drawing Sheets**



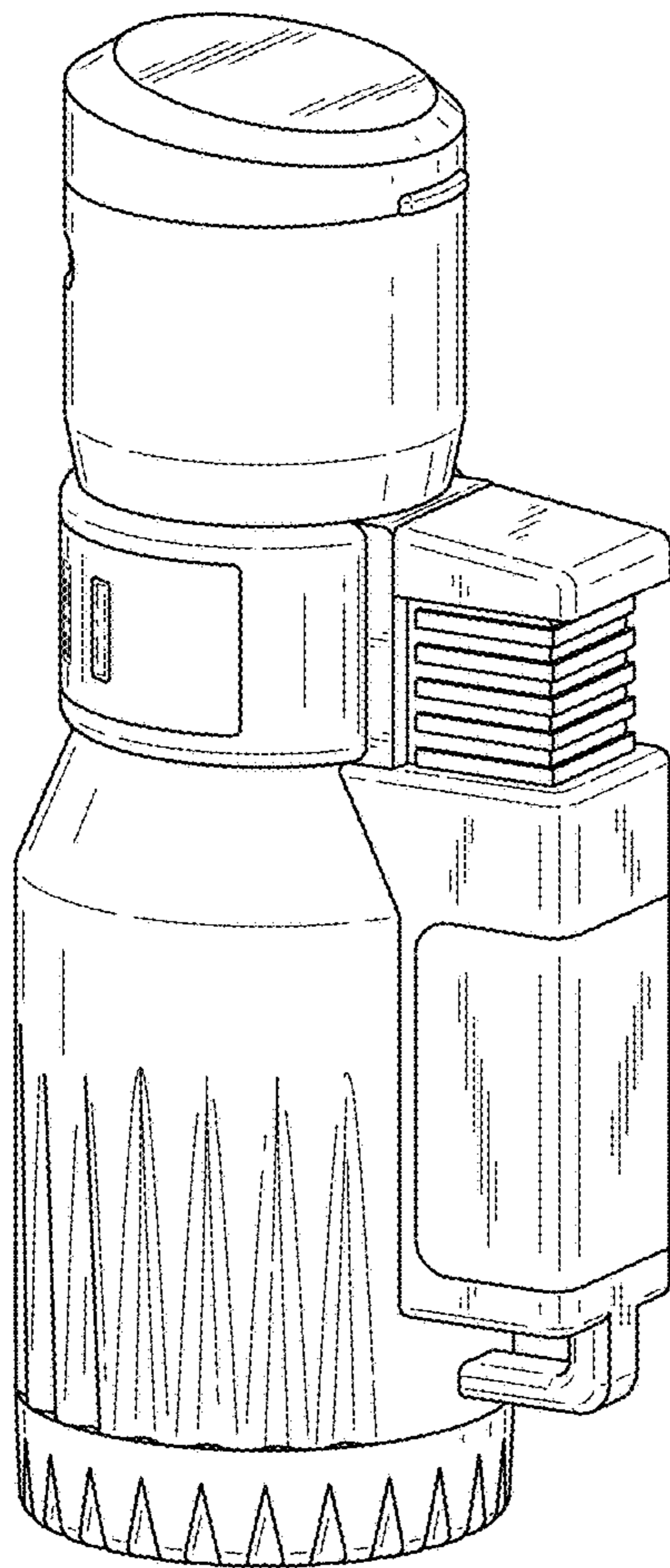


FIG. 1

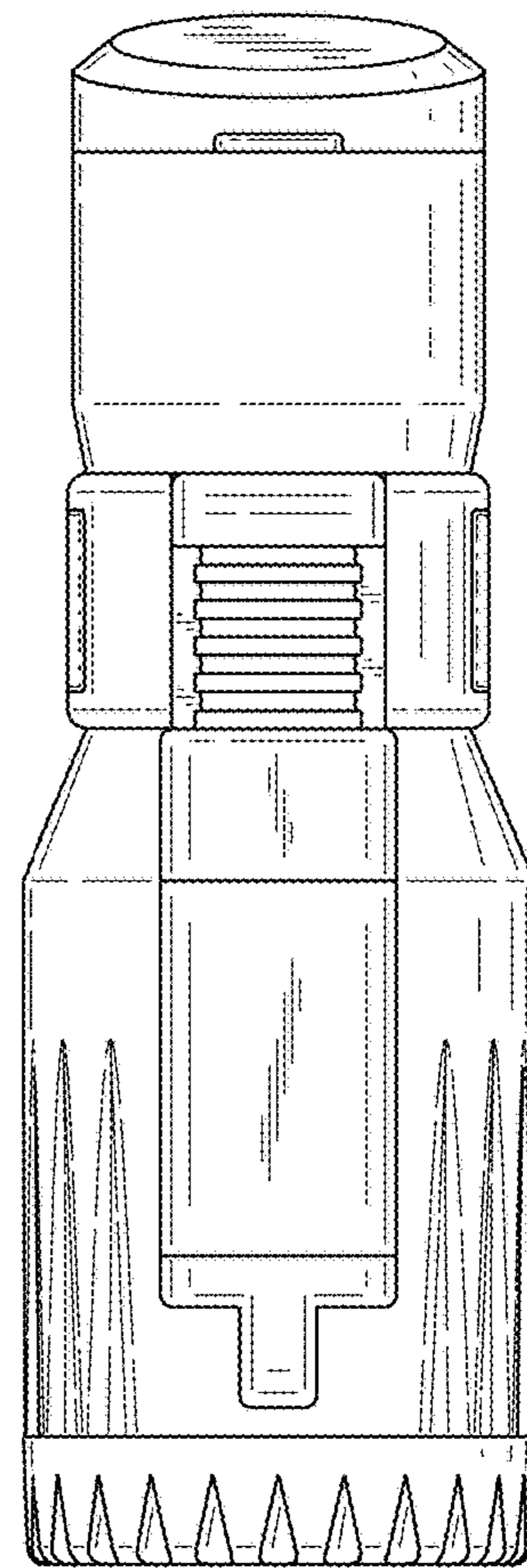


FIG. 2

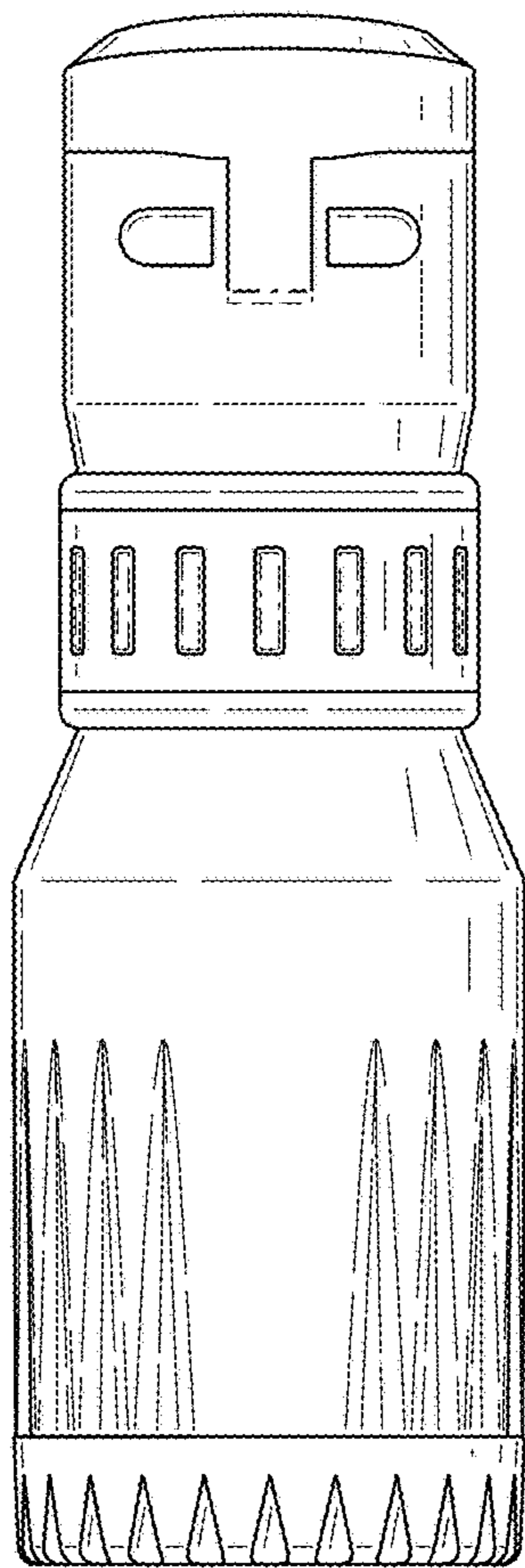


FIG. 3

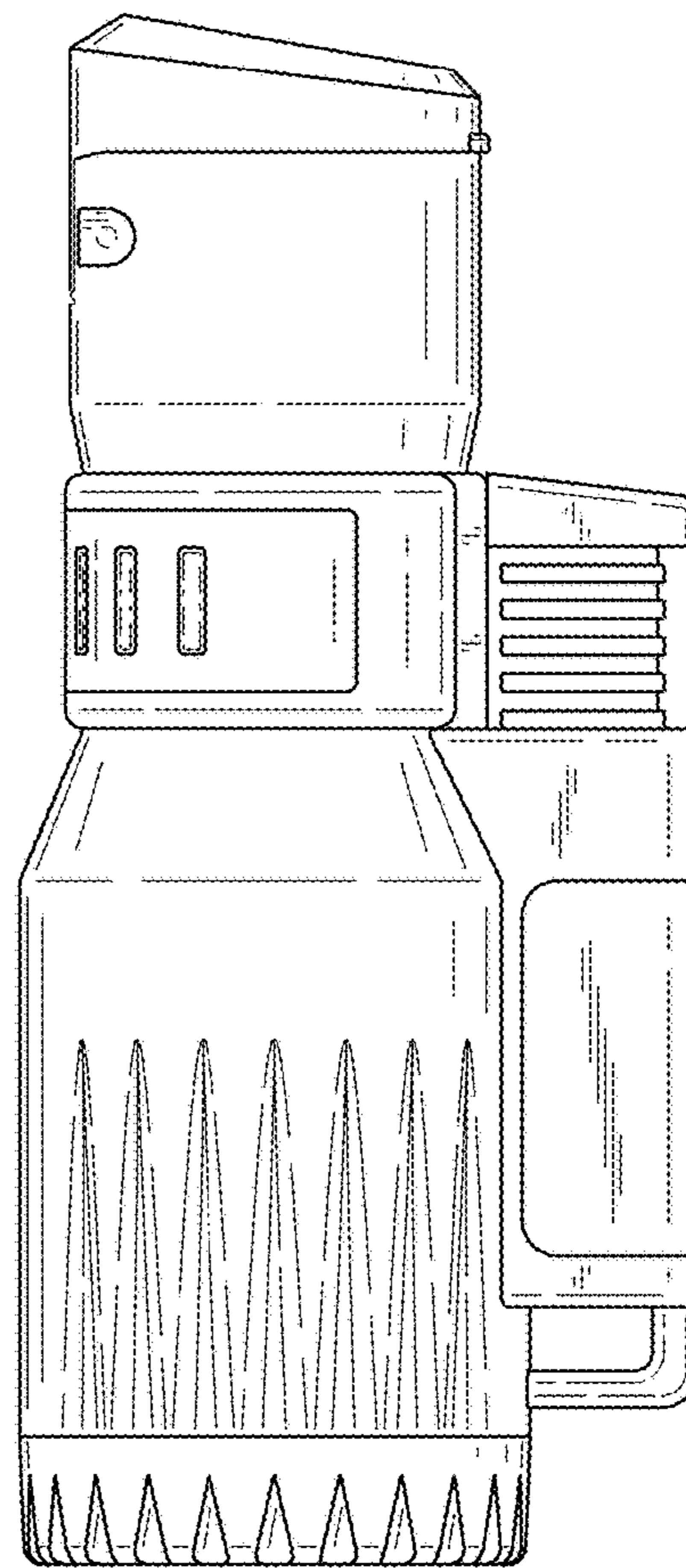


FIG. 4

FIG. 5

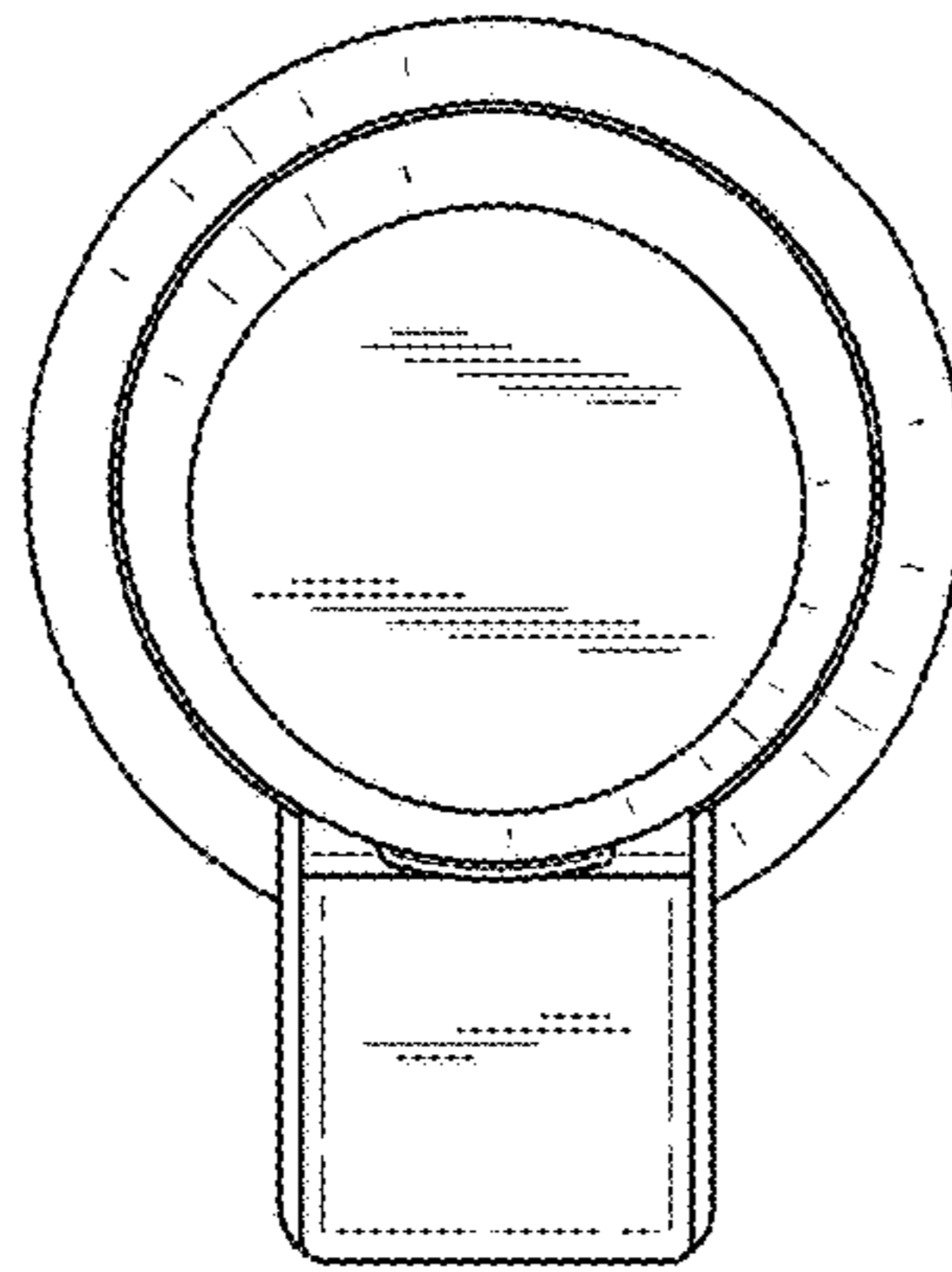


FIG. 6

