



US00D869747S

(12) **United States Design Patent** (10) **Patent No.:** **US D869,747 S**
Stone (45) **Date of Patent:** **** Dec. 10, 2019**

(54) **ELECTRONIC CIGARETTE**
(71) Applicant: **Altria Client Services LLC**,
Richmond, VA (US)
(72) Inventor: **Mitchell Stone**, Staffordshire (GB)
(73) Assignee: **Altria Client Services LLC**,
Richmond, VA (US)
(**) Term: **15 Years**

D223,879 S 6/1972 Chernack
D224,760 S 9/1972 Chernack
D272,184 S 1/1984 Karpowicz
D281,011 S 10/1985 Helfer
(Continued)

FOREIGN PATENT DOCUMENTS

CN 303162041 S 4/2015
CN 303482767 S 12/2015
(Continued)

OTHER PUBLICATIONS

Taiwanese Office Action dated Dec. 12, 2017 in Taiwanese Appli-
cation No. 106300550.
(Continued)

Related U.S. Application Data

(62) Division of application No. 29/592,193, filed on Jan.
27, 2017, now Pat. No. Des. 829,976.

Primary Examiner — Marissa J Cash
(74) *Attorney, Agent, or Firm* — Harness, Dickey &
Pierce, P.L.C.

(30) **Foreign Application Priority Data**

Jul. 31, 2016 (EM) 003325349-0001
Jul. 31, 2016 (EM) 003325349-0002
Jul. 31, 2016 (EM) 003325349-0003
Jul. 31, 2016 (EM) 003325349-0004
Jul. 31, 2016 (EM) 003325349-0005
Jul. 31, 2016 (EM) 003325349-0006
Jul. 31, 2016 (EM) 003325349-0007
Jul. 31, 2016 (EM) 003325349-0008

(57) **CLAIM**

The ornamental design for an electronic cigarette, as shown
and described.

DESCRIPTION

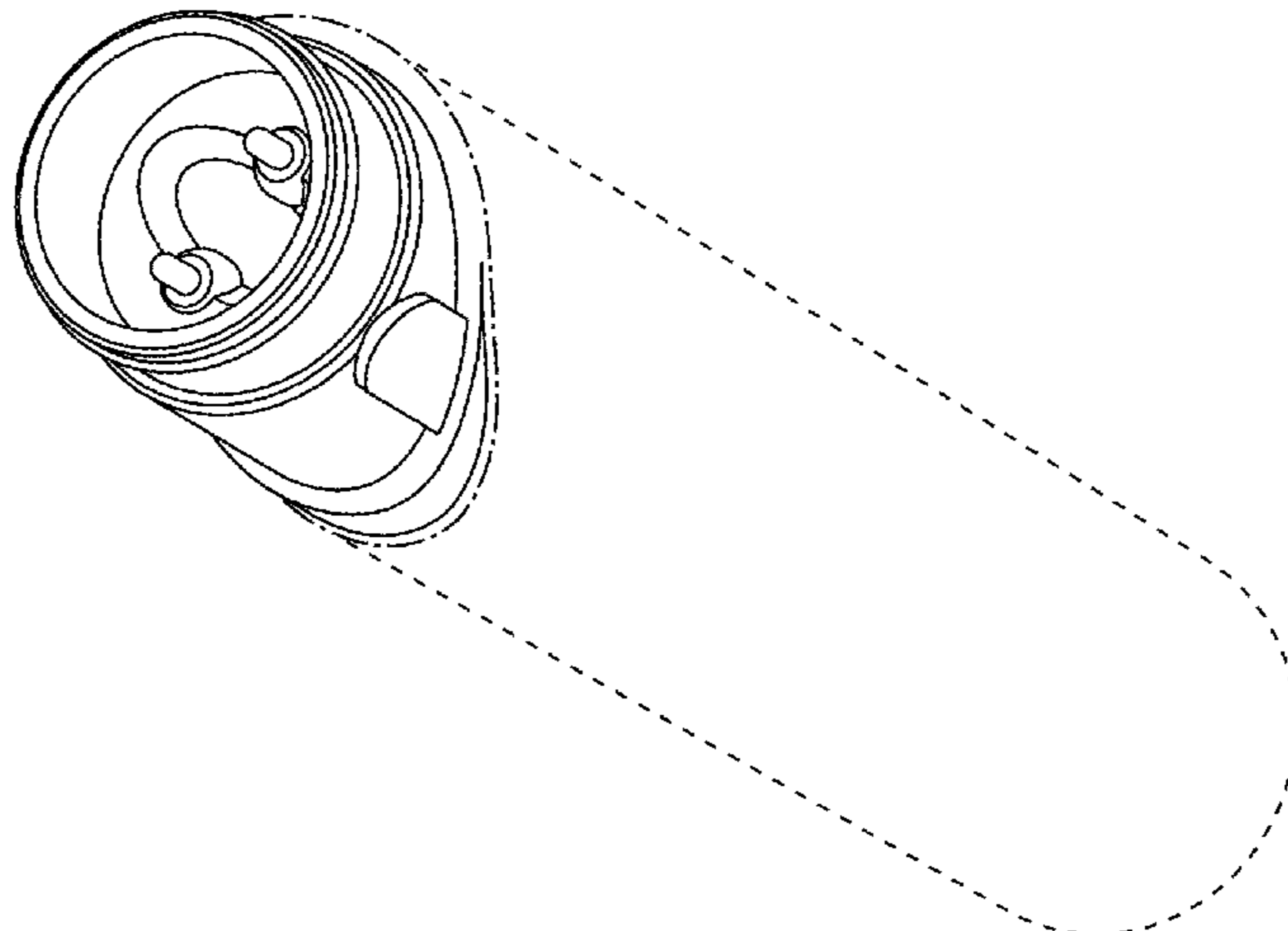
FIG. 1 is a perspective view of an electronic cigarette;
FIG. 2 is a front view of the electronic cigarette;
FIG. 3 is a rear view of the electronic cigarette;
FIG. 4 is a left side view of the electronic cigarette;
FIG. 5 is a right side view of the electronic cigarette;
FIG. 6 is a top view of the electronic cigarette; and,
FIG. 7 is a bottom view of the electronic cigarette.
The evenly spaced broken lines in the drawings depict
portions of the electronic cigarette that form no part of the
claimed design; the dash-dot-dash line represents a bound-
ary of the claimed design.

(51) **LOC (12) Cl.** **27-01**
(52) **U.S. Cl.**
USPC **D27/101**
(58) **Field of Classification Search**
USPC D27/100, 101, 161, 162-194; D23/366;
D24/110; D19/101, 106, 115, 165, 195
CPC A24F 47/00; A24F 47/002; A24F 15/12
See application file for complete search history.

(56) **References Cited**
U.S. PATENT DOCUMENTS

D142,842 S 11/1945 Daze
D167,230 S 7/1952 Rehfeld

1 Claim, 7 Drawing Sheets



(56)

References Cited

U.S. PATENT DOCUMENTS

D436,225 S	1/2001	Garofano et al.		D792,021 S	7/2017	Beer et al.	
6,357,448 B1 *	3/2002	Sinclair, Jr.	A24C 5/40 131/360	D792,643 S	7/2017	Wong et al.	
D532,927 S	11/2006	Sann		D795,495 S	8/2017	Li et al.	
D590,991 S	4/2009	Hon		D795,496 S	8/2017	Beer et al.	
D632,014 S	2/2011	Lee		D797,369 S	9/2017	Yamada et al.	
D655,036 S	2/2012	Zhou		D797,990 S	9/2017	Hawes et al.	
D666,355 S	8/2012	Alelov		D799,108 S	10/2017	Meyer et al.	
D683,897 S	6/2013	Liu		D799,110 S	10/2017	Qiu	
D684,311 S	6/2013	Liu		D799,112 S	10/2017	Qiu	
D685,522 S	7/2013	Potter et al.		D799,113 S	10/2017	Qiu	
D691,766 S	10/2013	Tucker et al.		D799,741 S	10/2017	Liu	
D718,492 S	11/2014	Albanese		D799,744 S	10/2017	Qiu	
D720,499 S	12/2014	Alima		D799,745 S	10/2017	Qiu	
D720,882 S	1/2015	Albanese		D799,748 S	10/2017	Freese	
D721,202 S	1/2015	Liu		D799,749 S	10/2017	Freese	
D722,196 S	2/2015	Tucker et al.		D800,381 S	10/2017	Chen	
D722,956 S	2/2015	Alima		D800,383 S	10/2017	Verleur et al.	
D723,732 S *	3/2015	Alima	D27/167	D802,207 S	11/2017	Bramley et al.	
D724,262 S	3/2015	Hearn et al.		D802,835 S	11/2017	Bagai	
D725,310 S	3/2015	Eksouzian		D802,839 S	11/2017	Scott	
D728,852 S	5/2015	Hearn et al.		D803,475 S	11/2017	Scheiber	
D732,733 S	6/2015	Spagnolo et al.		D804,090 S	11/2017	Verleur et al.	
D738,566 S	9/2015	Tucker et al.		D804,091 S	11/2017	Fornarelli	
D738,567 S	9/2015	Tucker et al.		D805,248 S	12/2017	Chen et al.	
D739,598 S	9/2015	Lavanchy et al.		D805,684 S	12/2017	Thuery	
D739,599 S *	9/2015	Liu	D27/101	D806,942 S	1/2018	Qiu	
D742,065 S	10/2015	Leidel		D806,943 S *	1/2018	Liu	D27/101
D743,097 S	11/2015	Tucker et al.		D807,574 S	1/2018	Hawes et al.	
D743,622 S *	11/2015	Alima	D27/167	D808,580 S	1/2018	Kwitel et al.	
D747,545 S *	1/2016	Liu	D27/101	D812,807 S	3/2018	Thuery	
D747,546 S *	1/2016	Liu	D27/101	D813,155 S *	3/2018	Yamada	D13/103
D747,547 S *	1/2016	Liu	D27/101	D813,445 S	3/2018	Scott	
D748,323 S	1/2016	Tucker et al.		D813,447 S	3/2018	Watson	
D748,853 S	2/2016	Seibel et al.		D814,102 S	3/2018	Lehoux	
D750,834 S	3/2016	Wei		D815,340 S *	4/2018	Bramley	D27/101
D752,278 S	3/2016	Verleur et al.		D815,341 S	4/2018	Qiu	
D752,281 S	3/2016	Alima		D816,266 S	4/2018	Thuery	
D753,873 S	4/2016	Schuessler		D817,540 S *	5/2018	Yamada	D27/101
D754,919 S	4/2016	Alarcon et al.		D818,636 S	5/2018	Qiu	
D756,031 S	5/2016	Wu		D818,638 S	5/2018	Wright et al.	
D756,564 S	5/2016	Yerkic-Husejnovic et al.		D819,263 S	5/2018	Zhu	
D757,996 S	5/2016	Hua		D819,881 S	6/2018	Qiu	
D759,303 S	6/2016	Afridi		D821,028 S	6/2018	Tucker et al.	
D760,430 S	6/2016	Hanna		D822,271 S	7/2018	Eksouzian	
D760,948 S	7/2016	Eksouzian		D822,592 S	7/2018	Cavalli, III et al.	
D763,501 S	8/2016	McGarry et al.		D822,896 S	7/2018	Durand	
D763,503 S	8/2016	Bramley et al.		D824,100 S	7/2018	Scott et al.	
D764,098 S	8/2016	Liu		D825,099 S	8/2018	Wright et al.	
D764,702 S	8/2016	Di Bari		D825,102 S	8/2018	Bowen et al.	
D766,503 S *	9/2016	Liu	D27/167	D825,103 S	8/2018	Wright et al.	
D767,200 S *	9/2016	Liu	D27/101	D825,834 S	8/2018	Chen	
D767,820 S	9/2016	Jordan et al.		D825,835 S	8/2018	Verleur et al.	
D769,518 S	10/2016	Liu		D825,838 S	8/2018	Abroff et al.	
D769,519 S	10/2016	Chen		D827,195 S	8/2018	Chen	
D770,087 S	10/2016	Di Bari		D827,922 S *	9/2018	Hawes	D27/170
D773,727 S	12/2016	Eksouzian		D829,369 S *	9/2018	Stone	D27/101
D773,729 S	12/2016	Jordan et al.		D829,370 S	9/2018	Stone	
D774,693 S	12/2016	Liu		D829,373 S	9/2018	Huang et al.	
D776,337 S	1/2017	Levin et al.		D829,377 S	10/2018	Stone	
D776,868 S	1/2017	Rado		D829,974 S	10/2018	Stone	
D778,492 S	2/2017	Liu		D829,975 S	10/2018	Stone	
D778,493 S	2/2017	Scott		D829,976 S *	10/2018	Stone	D27/101
D779,719 S	2/2017	Qiu		D829,977 S	10/2018	Stone	
D779,722 S	2/2017	Volodarsky		D829,978 S	10/2018	Stone	
D779,725 S	2/2017	Bramley et al.		D829,980 S	10/2018	Qiu	
D780,993 S	3/2017	Bramley et al.		D830,625 S	10/2018	Stone	
D782,108 S	3/2017	Jordan et al.		D831,271 S	10/2018	Qiu	
D782,728 S	3/2017	Pinder		D831,885 S	10/2018	Wang et al.	
D786,497 S	5/2017	Sudlow et al.		D832,499 S	10/2018	Qiu	
D787,114 S	5/2017	Scott		D832,500 S	10/2018	Qiu	
D790,123 S	6/2017	Beer et al.		D832,503 S	10/2018	Blanding	
D790,124 S	6/2017	Beer et al.		D833,064 S	11/2018	Verleur et al.	
D790,125 S	6/2017	Beer et al.		D834,246 S	11/2018	Qiu	
D790,680 S	6/2017	Afridi		D834,702 S	11/2018	Evans et al.	
				D834,743 S	11/2018	Tucker et al.	
				D835,337 S	12/2018	Beer et al.	
				D836,190 S	12/2018	Evans et al.	
				D836,833 S	12/2018	Simon	
				D838,900 S	1/2019	Freese	
				D841,231 S *	2/2019	Hawes	D27/170

(56)

References Cited

U.S. PATENT DOCUMENTS

D843,648 S 3/2019 Santos
 D843,649 S * 3/2019 Rasmussen D27/169
 D843,650 S 3/2019 Verleur et al.
 D844,221 S * 3/2019 Tucker D27/101
 D844,222 S * 3/2019 Yamada D27/101
 D844,233 S 3/2019 Yamada et al.
 2011/0290244 A1 12/2011 Schennum
 2013/0068239 A1 3/2013 Youn
 2013/0319438 A1 12/2013 Liu
 2014/0060524 A1 3/2014 Liu
 2014/0196716 A1 7/2014 Liu
 2015/0020827 A1 * 1/2015 Liu A24F 47/008
 131/329
 2015/0020828 A1 * 1/2015 Liu A24F 47/008
 131/329
 2015/0027467 A1 * 1/2015 Liu A24F 47/008
 131/329
 2015/0034104 A1 2/2015 Zhou
 2015/0059784 A1 3/2015 Liu
 2015/0128973 A1 5/2015 Li et al.
 2015/0196056 A1 * 7/2015 Liu H05B 1/0244
 131/328
 2015/0296889 A1 10/2015 Liu
 2015/0313288 A1 11/2015 Liu
 2015/0335072 A1 11/2015 Giller
 2016/0073692 A1 3/2016 Alarcon et al.
 2016/0073694 A1 3/2016 Liu
 2016/0113327 A1 4/2016 Wu
 2016/0120222 A1 5/2016 Bagai et al.
 2016/0120226 A1 5/2016 Rado
 2016/0121058 A1 5/2016 Chen
 2016/0135502 A1 5/2016 Wang et al.
 2016/0150821 A1 * 6/2016 Liu A24F 47/002
 131/329
 2016/0183593 A1 * 6/2016 Liu A24F 47/008
 392/386
 2016/0183596 A1 6/2016 Rado
 2016/0270446 A1 9/2016 Shenkal et al.
 2016/0331912 A1 11/2016 Trzeczieski
 2016/0338405 A1 * 11/2016 Liu A24F 47/008
 2016/0345626 A1 12/2016 Wong et al.
 2016/0353805 A1 12/2016 Hawes et al.
 2016/0374396 A1 12/2016 Jordan et al.
 2016/0374397 A1 12/2016 Jordan et al.
 2017/0202265 A1 7/2017 Hawes et al.
 2017/0215478 A1 8/2017 Harrison et al.
 2017/0294804 A1 10/2017 Sur
 2017/0295845 A1 10/2017 Bajpai et al.
 2018/0116281 A1 5/2018 Anderson, Jr.
 2018/0169355 A1 6/2018 Reevell
 2018/0177234 A1 6/2018 Lee
 2018/0213847 A1 8/2018 Reevell

2018/0255835 A1 9/2018 Crowe et al.
 2018/0271149 A1 9/2018 Holtz et al.
 2018/0271151 A1 9/2018 Litten
 2018/0279674 A1 10/2018 Watson
 2018/0279682 A1 10/2018 Guo et al.
 2018/0310618 A1 11/2018 Watson
 2018/0339118 A1 11/2018 Ouyang et al.
 2019/0008207 A1 1/2019 Crowe
 2019/0090542 A1 3/2019 Harrison et al.
 2019/0090551 A1 3/2019 Hon

FOREIGN PATENT DOCUMENTS

CN 303657684 S 4/2016
 TW D148448 8/2012
 TW D155436 8/2013
 TW D155654 8/2013

OTHER PUBLICATIONS

Taiwanese Office Action dated Dec. 12, 2017 in Taiwanese Application No. 106300548.
 Taiwanese Office Action dated Dec. 27, 2017 in Taiwanese Application No. 106300549.
 U.S. Notice of Allowance and Corrected Notice of Allowance dated Jan. 17, 2018 and Feb. 13, 2018 in related U.S. Appl. No. 29/592,199.
 U.S. Office Action dated Jan. 4, 2018 in related U.S. Appl. No. 29/592,185.
 U.S. Office Action dated Jan. 4, 2018 in related U.S. Appl. No. 29/592,202.
 U.S. Office Action dated Jan. 5, 2018 in related U.S. Appl. No. 29/592,191.
 U.S. Office Action dated Jan. 4, 2018 in related U.S. Appl. No. 29/592,186.
 U.S. Office Action dated Jan. 4, 2018 in related U.S. Appl. No. 29/592,200.
 U.S. Office Action dated Jan. 5, 2018 in related U.S. Appl. No. 29/592,211.
 U.S. Office Action dated May 14, 2019, in related U.S. Appl. No. 29/662,847.
 U.S. Office Action dated May 14, 2019, in related U.S. Appl. No. 29/662,843.
 U.S. Office Action dated May 23, 2019 in corresponding U.S. Appl. No. 29/662,871.
 U.S. Office Action dated May 23, 2019 in corresponding U.S. Appl. No. 29/662,859.
 U.S. Office Action dated May 23, 2019 in corresponding U.S. Appl. No. 29/662,845.
 U.S. Office Action dated May 23, 2019 in corresponding U.S. Appl. No. 29/662,880.
 U.S. Office Action dated May 23, 2019 in corresponding U.S. Appl. No. 29/662,888.

* cited by examiner

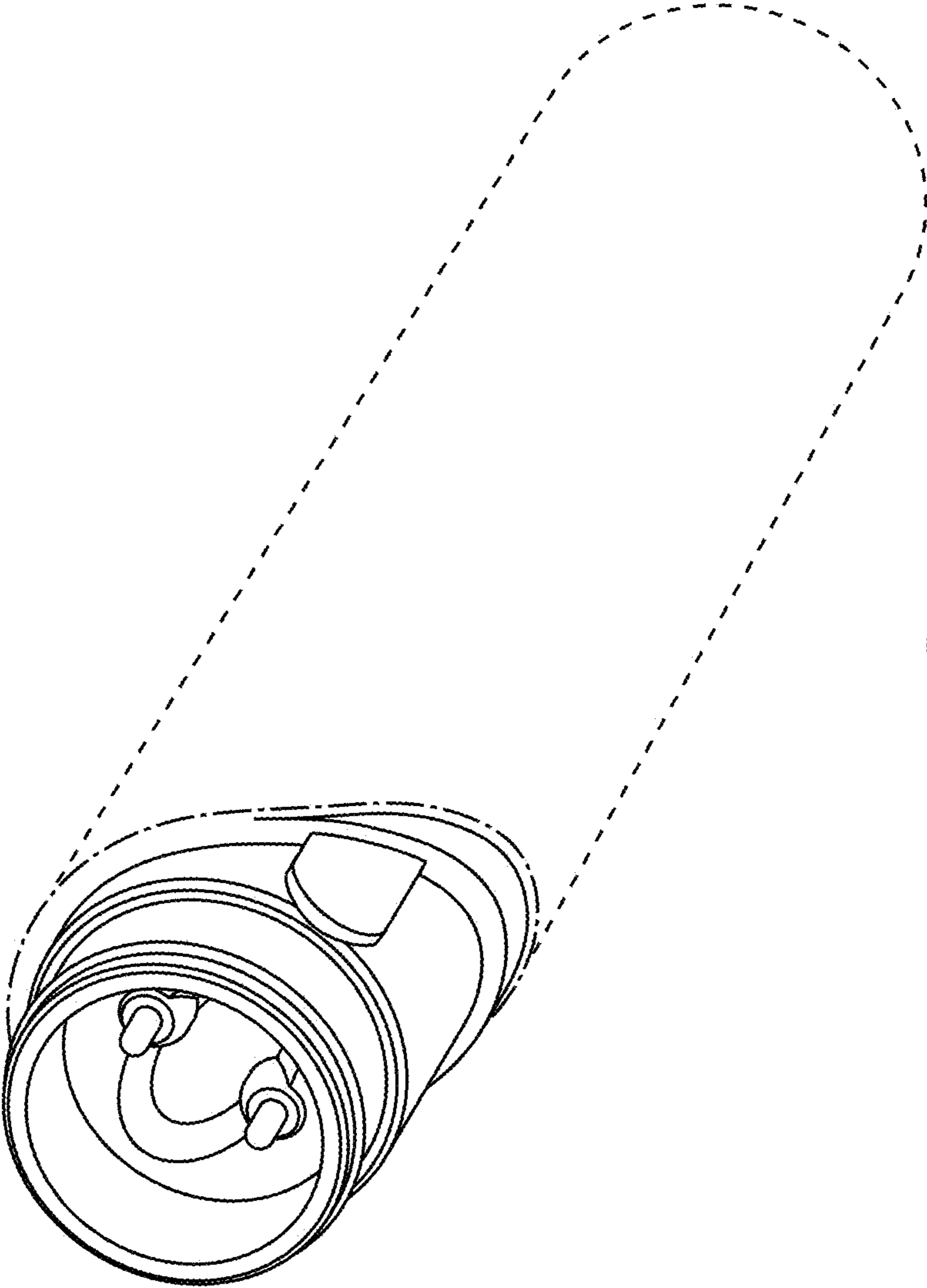


FIG. 1

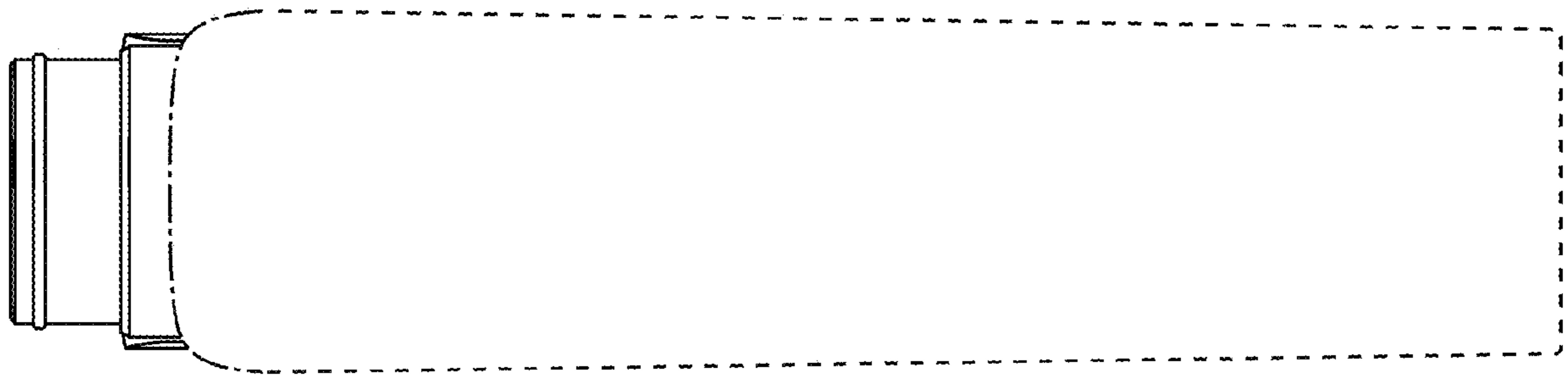


FIG. 2

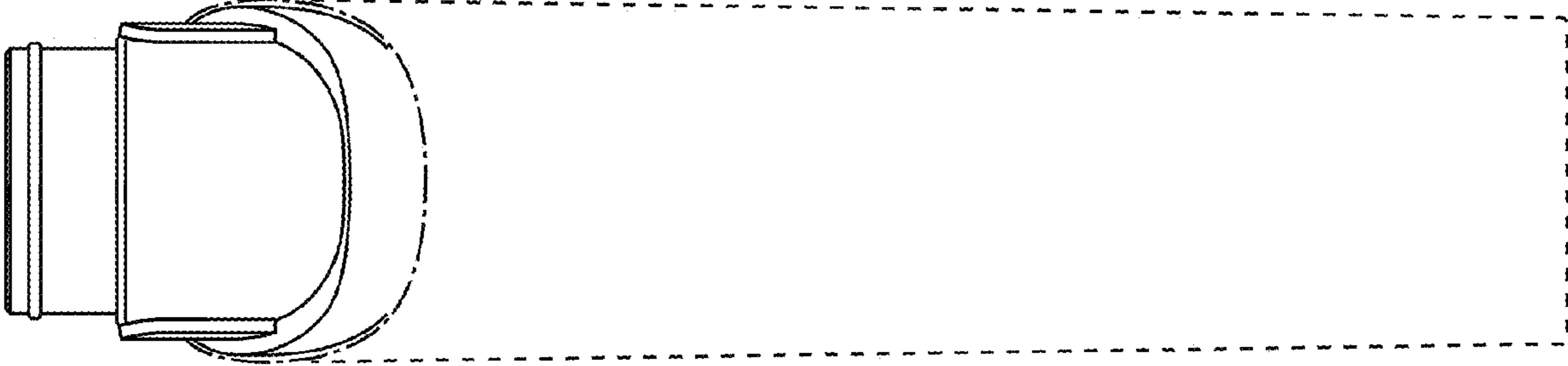


FIG. 3



FIG. 4



FIG. 5

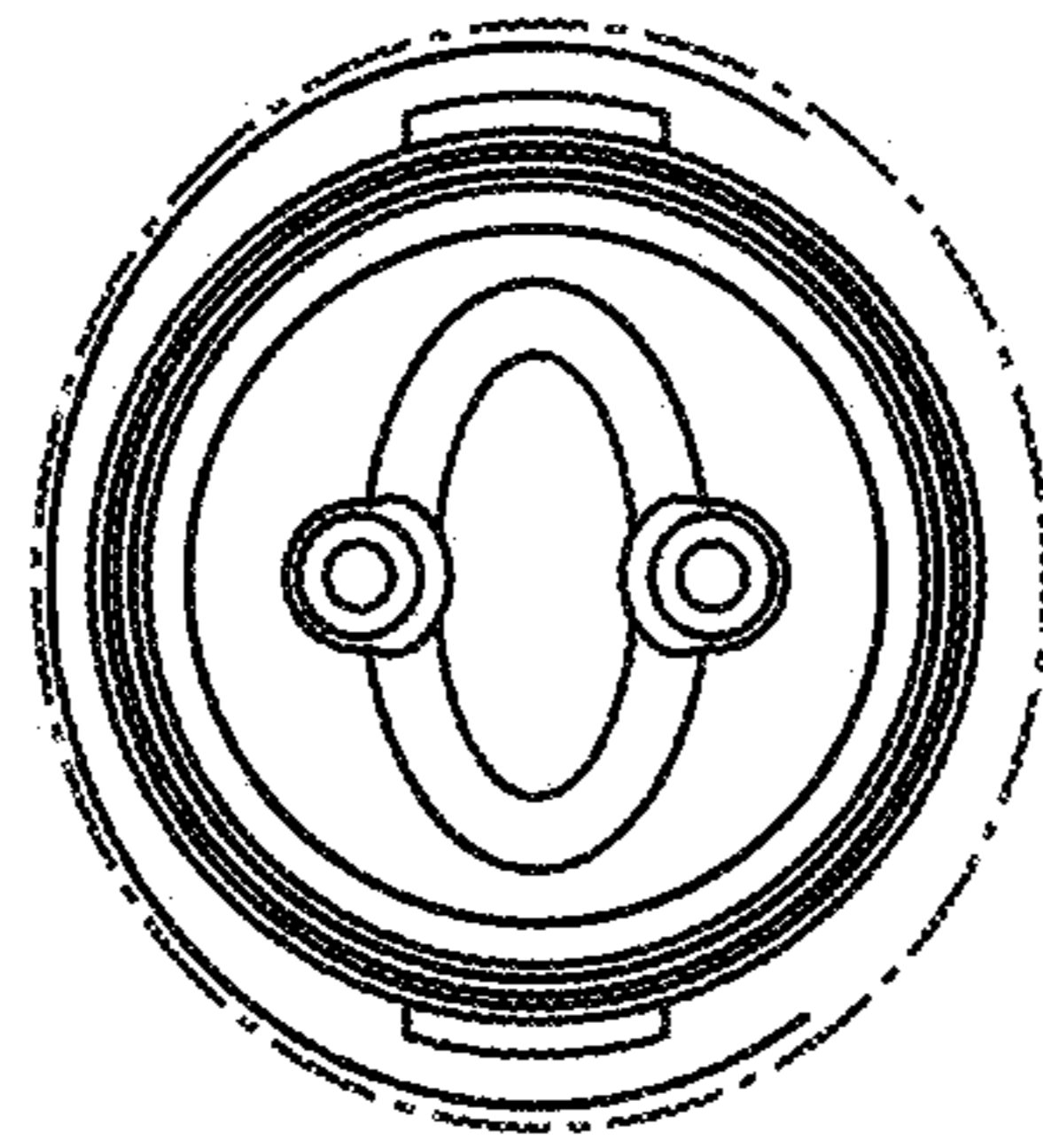


FIG. 6

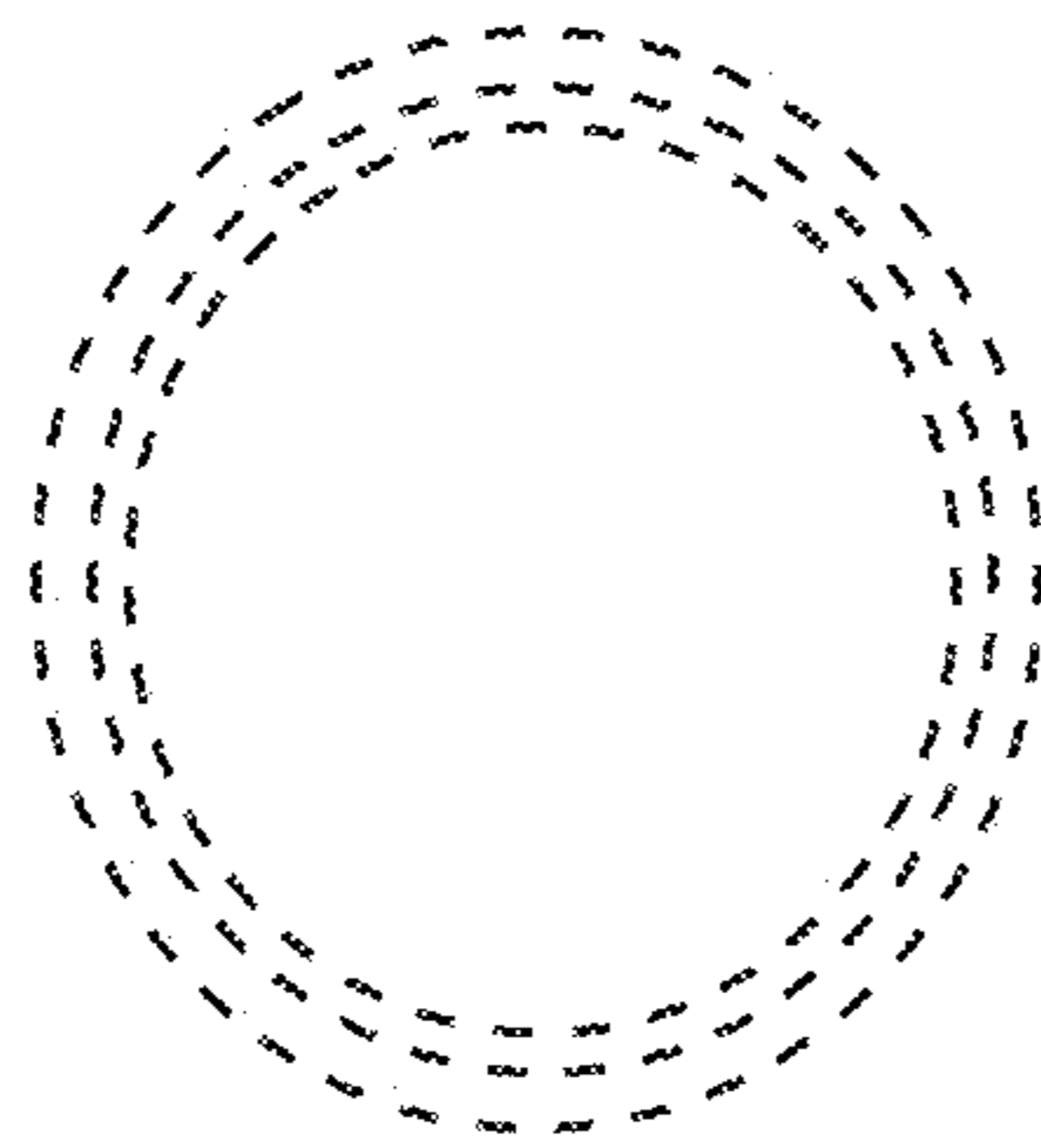


FIG. 7