



US00D869745S

(12) **United States Design Patent**
Sonneman

(10) **Patent No.:** **US D869,745 S**

(45) **Date of Patent:** **** Dec. 10, 2019**

(54) **LIGHTING SYSTEM SUSPENSION MOUNTING**

D730,561 S * 5/2015 Loebach D26/84
D826,457 S * 8/2018 Amato D26/86
D835,322 S * 12/2018 Nicholas D26/81

(71) Applicant: **Contemporary Visions, LLC**,
Larchmont, NY (US)

* cited by examiner

(72) Inventor: **Robert A. Sonneman**, Mamaroneck,
NY (US)

Primary Examiner — Brian N. Vinson

(74) *Attorney, Agent, or Firm* — Gottlieb, Rackman &
Reisman, P.C.

(73) Assignee: **Contemporary Visions, LLC**,
Larchmont, NY (US)

(57) **CLAIM**

The ornamental design for a lighting system suspension mounting, as shown and described.

(**) Term: **15 Years**

DESCRIPTION

(21) Appl. No.: **29/674,516**

(22) Filed: **Dec. 21, 2018**

(51) **LOC (12) Cl.** **26-99**

(52) **U.S. Cl.**
USPC **D26/138**

(58) **Field of Classification Search**
USPC D26/76, 78, 79, 80, 81, 82, 83, 84, 85,
D26/87, 88, 90, 93, 110, 113, 118, 119,
D26/120, 121, 122, 138, 140–145;
D23/377, 379, 385, 411

CPC F21S 4/00; F21S 4/003; F21S 4/006; F21S
4/007; F21S 4/008; F21S 6/004; F21S
6/005; F21S 8/06; F21V 15/01; F21V
15/013; F21V 3/00; F21V 17/04; F21V
23/06; F21K 9/54; F21Y 211/10

See application file for complete search history.

FIG. 1 is a perspective view of a lighting system suspension mounting showing my new design;
FIG. 2 is a first side elevational view thereof;
FIG. 3 is a second side elevational view thereof;
FIG. 4 is a third side elevational view thereof;
FIG. 5 is a fourth side elevational view thereof;
FIG. 6 is a top plan view thereof;
FIG. 7 is a bottom plan view thereof
FIG. 8 is a perspective view of a lighting system suspension mounting showing my new design;
FIG. 9 is a first side elevational view thereof;
FIG. 10 is a second side elevational view thereof;
FIG. 11 is a third side elevational view thereof;
FIG. 12 is a fourth side elevational view thereof;
FIG. 13 is a top plan view thereof; and,
FIG. 14 is a bottom plan view thereof.

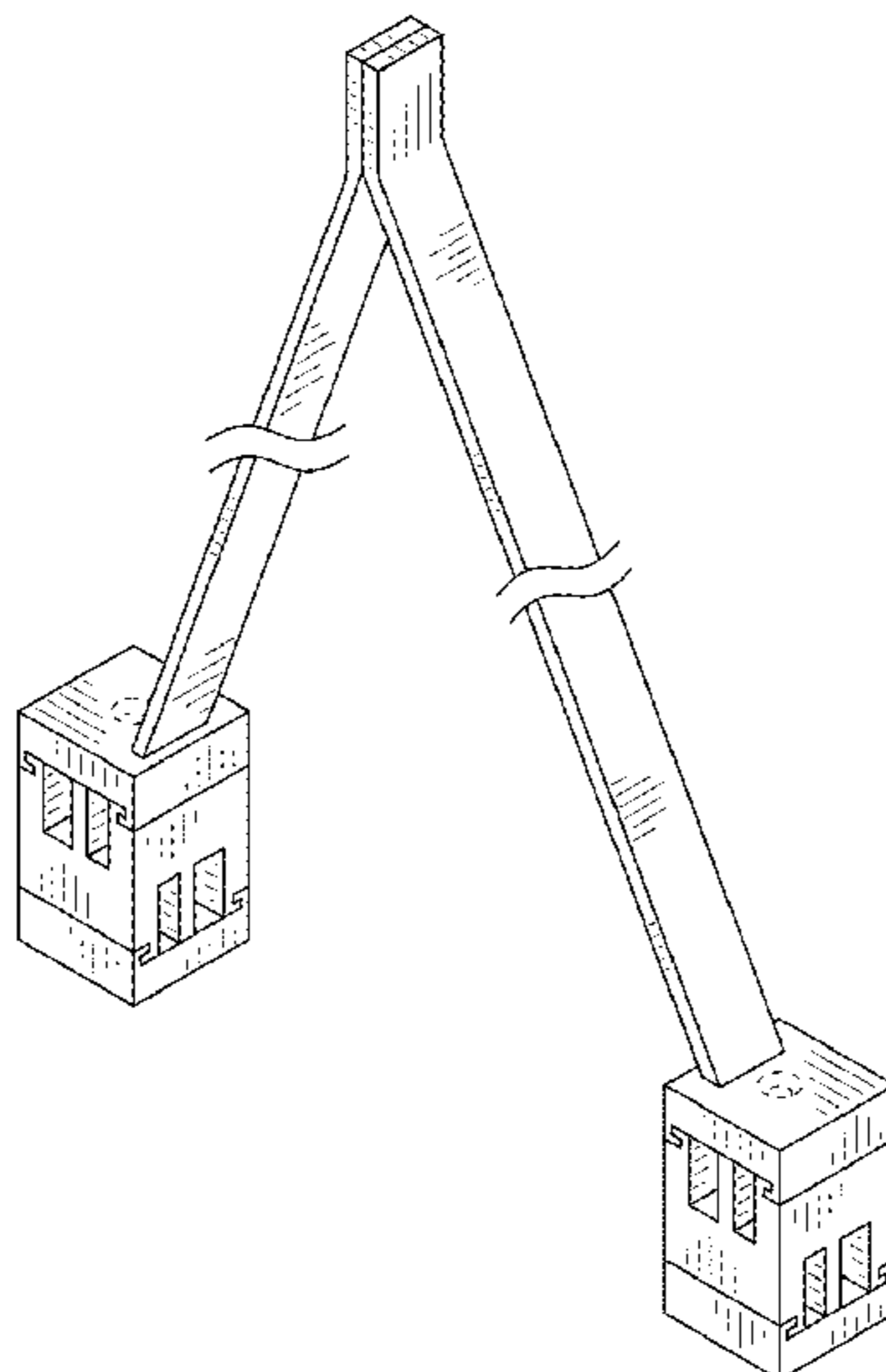
The broken lines shown in the drawings are included for the purpose of illustrating elements of the lighting system suspension mounting that is configured to be hung from a surface and form no part of the claimed design.

(56) **References Cited**

U.S. PATENT DOCUMENTS

D543,310 S * 5/2007 Herst D26/138
D565,779 S * 4/2008 Meise D26/84

1 Claim, 10 Drawing Sheets



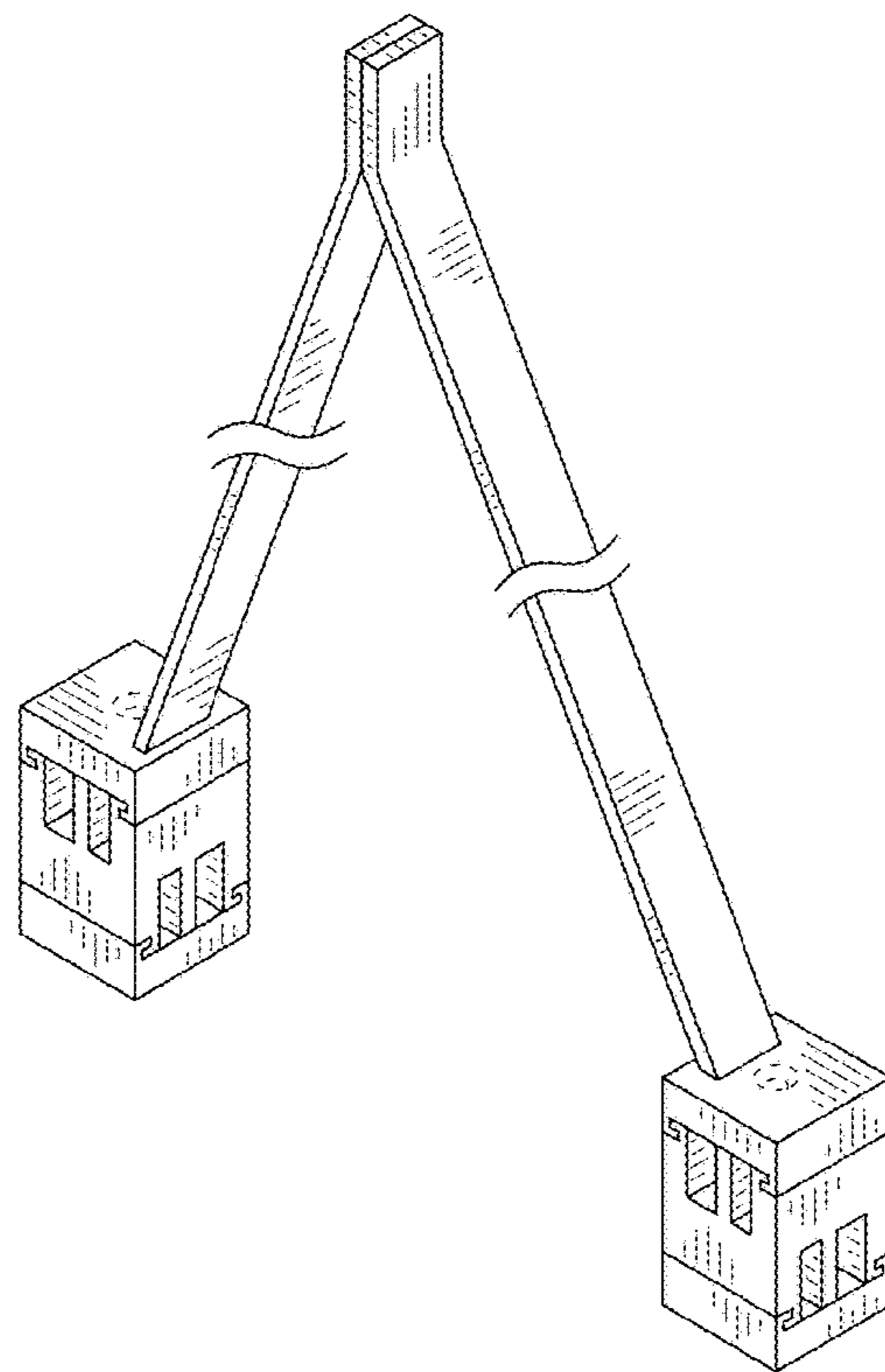


FIG. 1

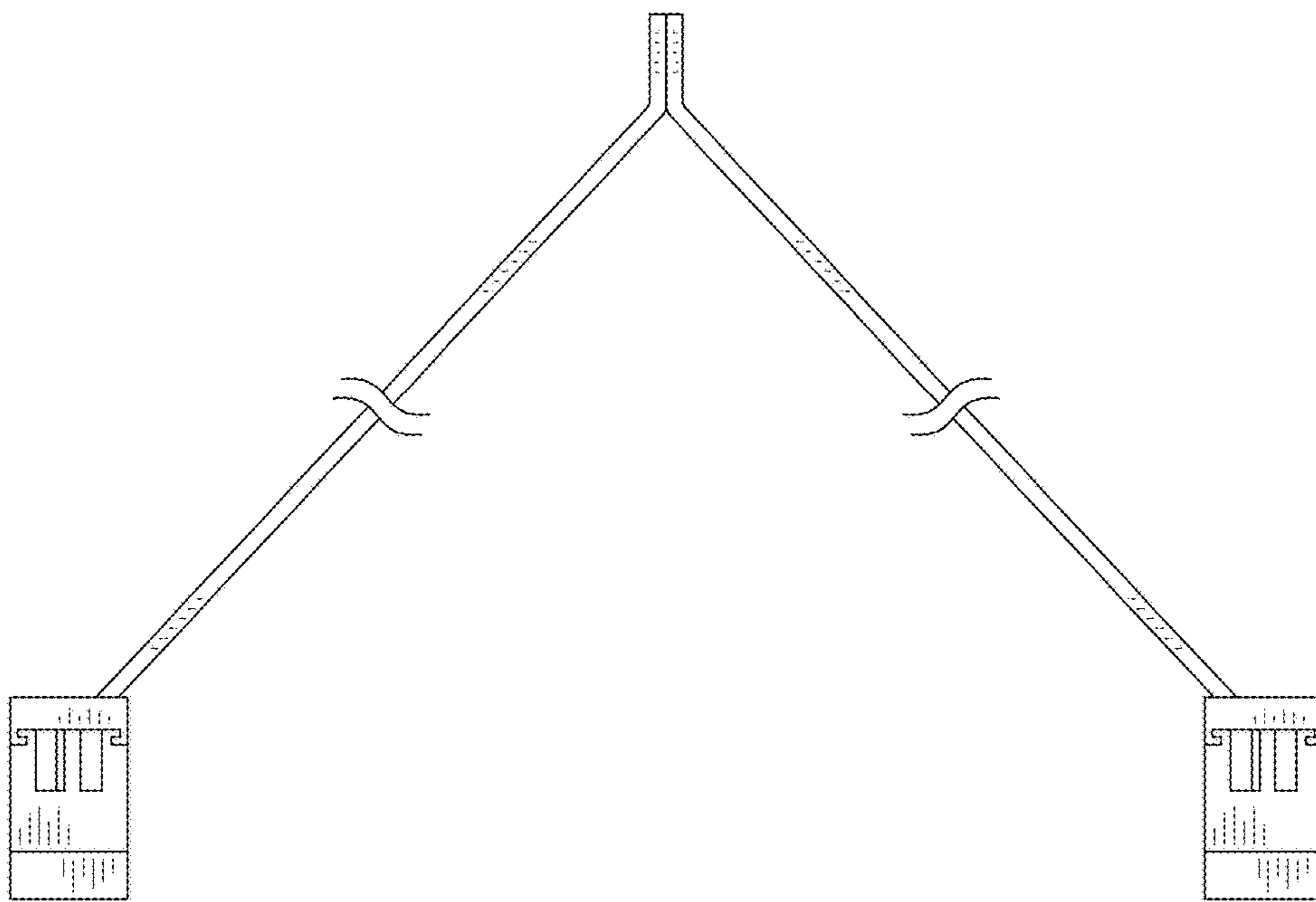


FIG. 2

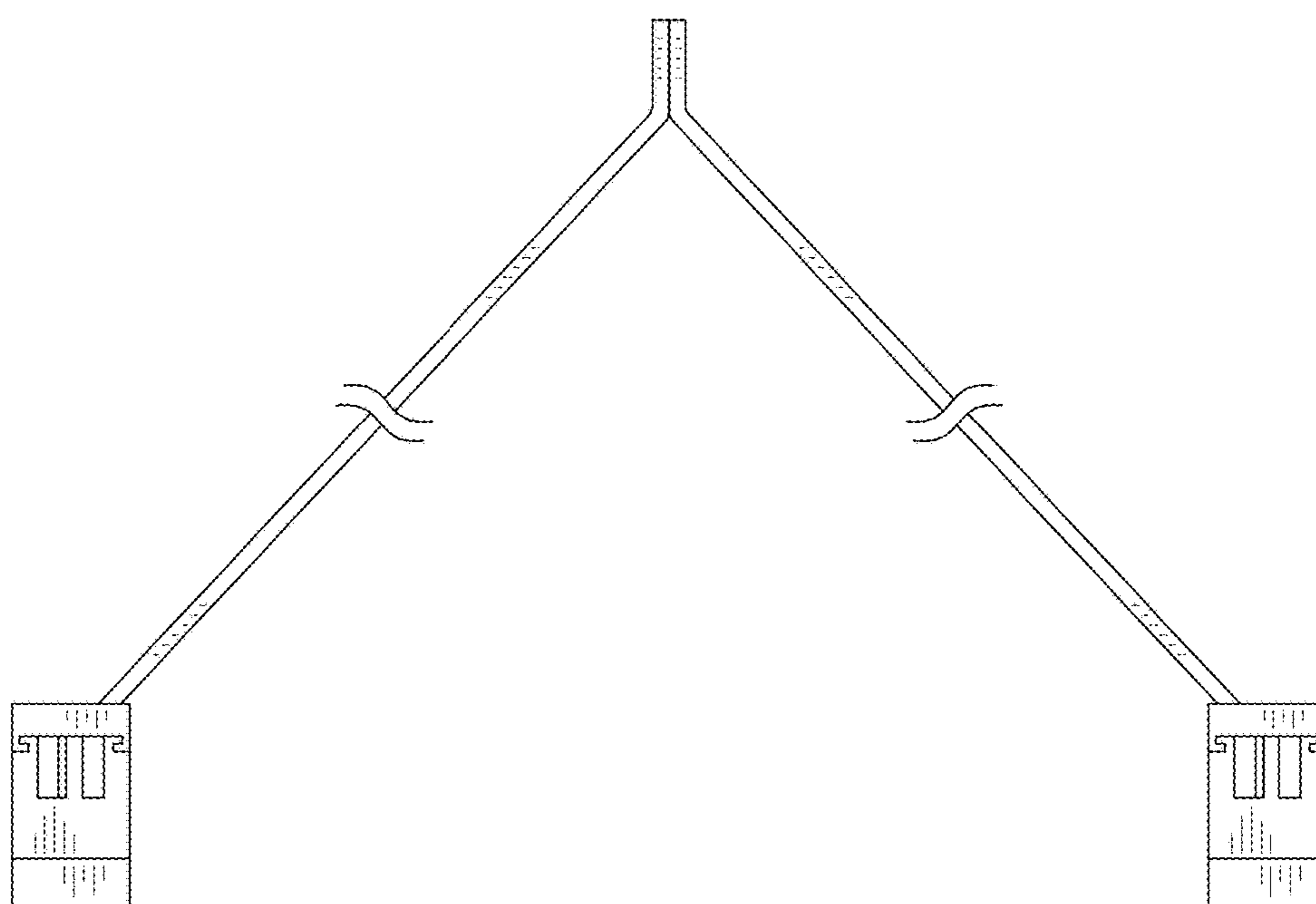


FIG. 3

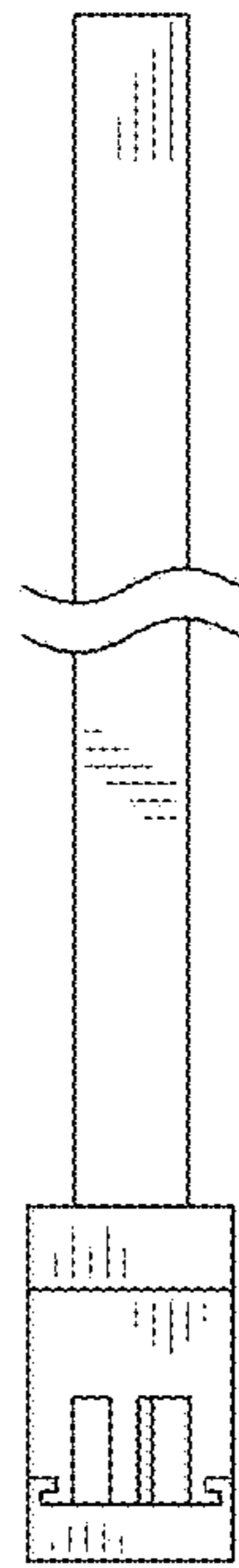


FIG. 4

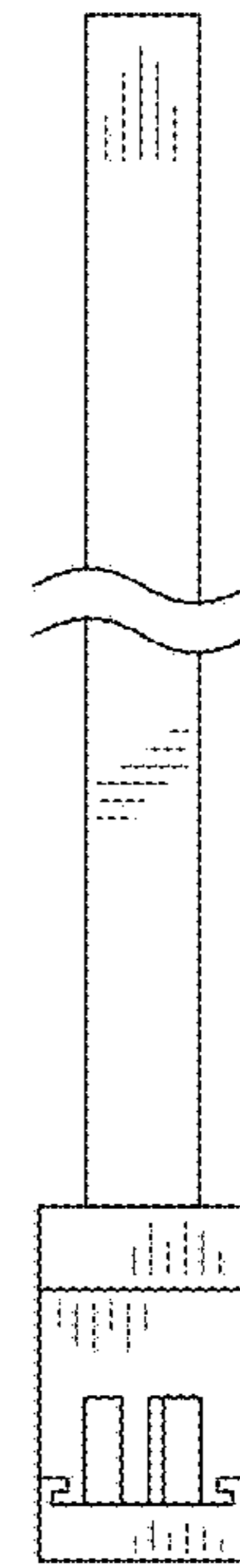


FIG. 5

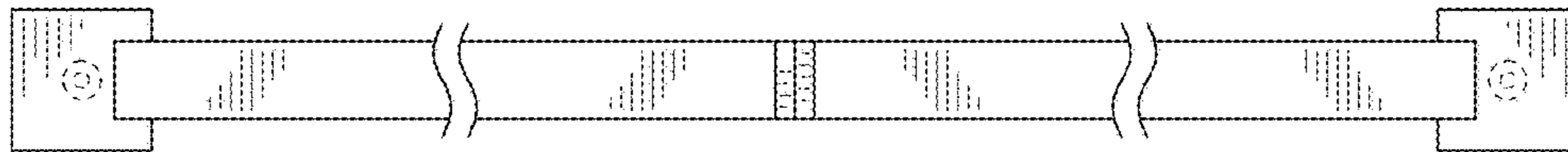


FIG. 6

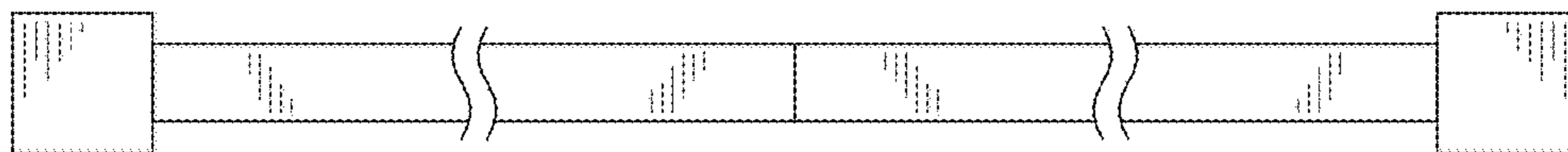


FIG. 7

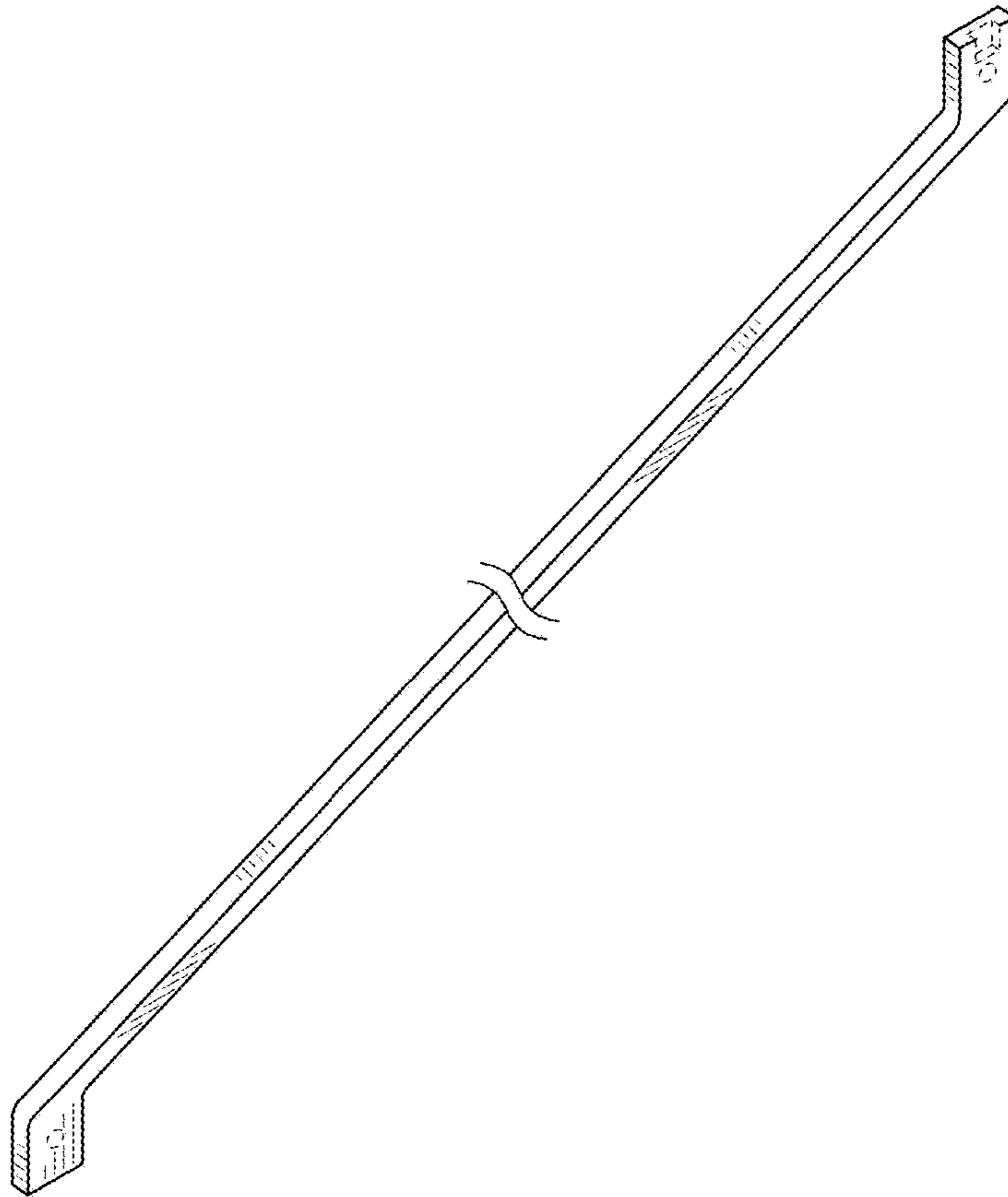


FIG. 8

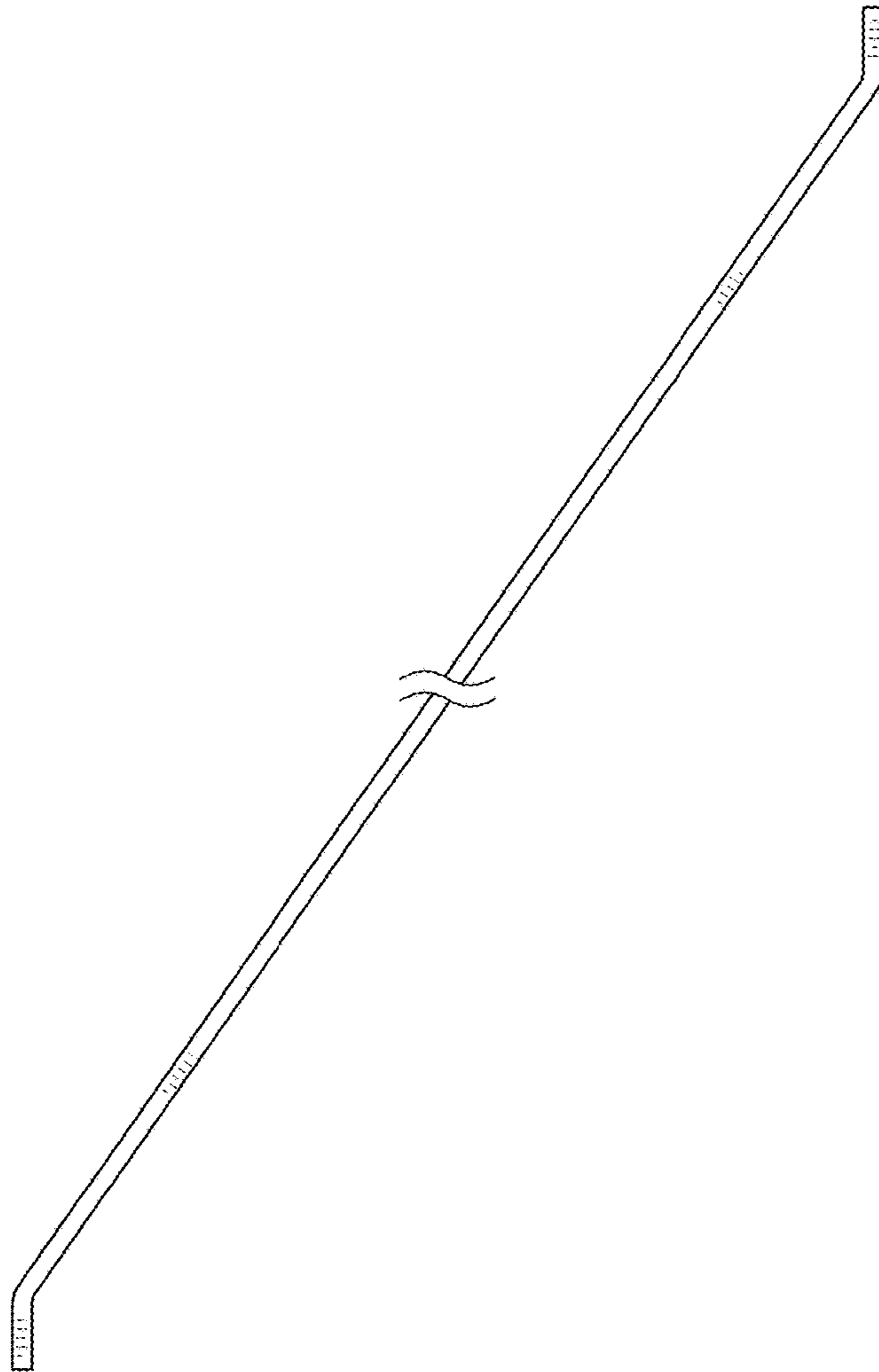


FIG. 9

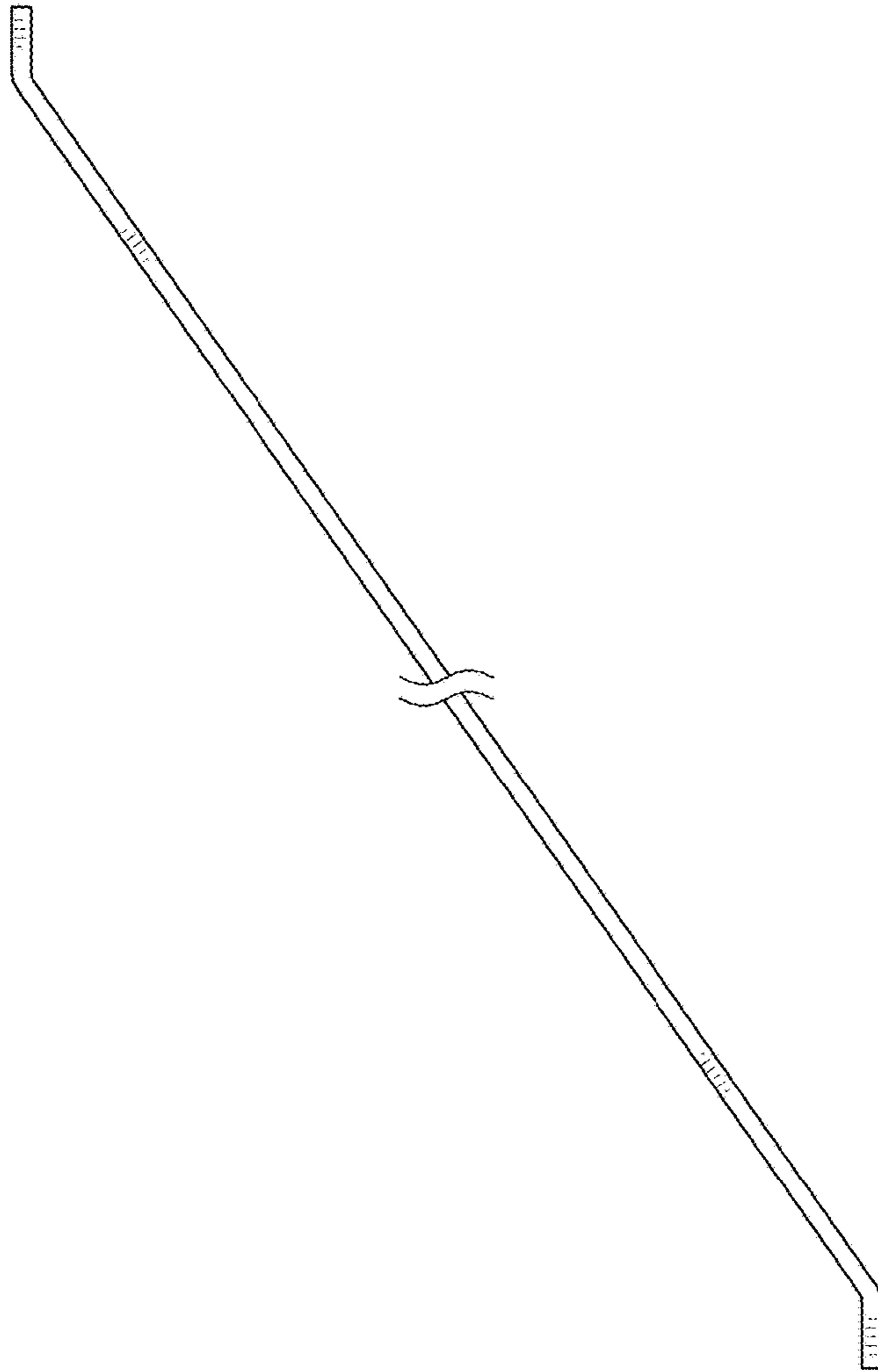


FIG. 10



FIG. 11



FIG. 12

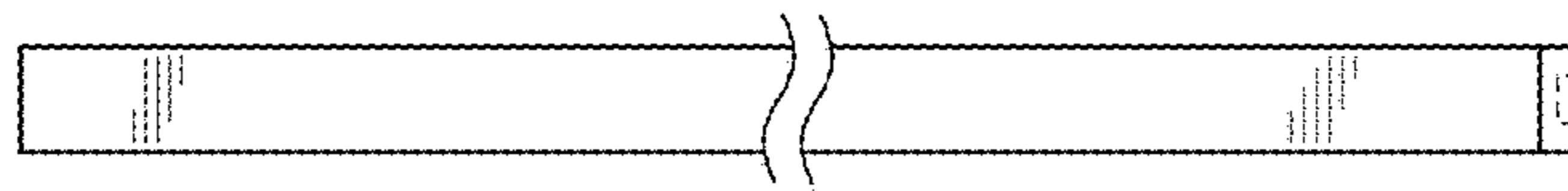


FIG. 13

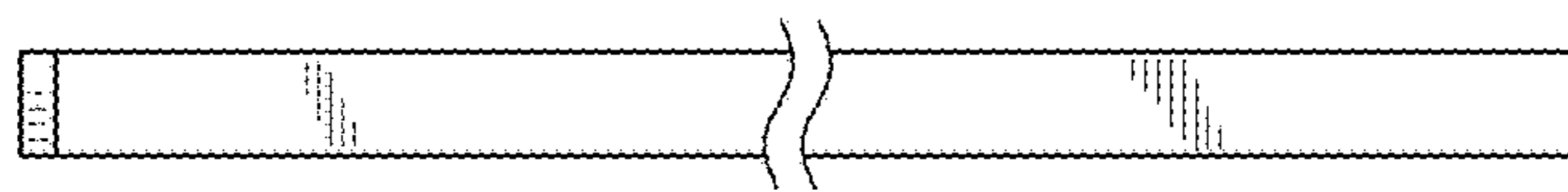


FIG. 14