



US00D869743S

(12) **United States Design Patent**  
**Sonneman**

(10) **Patent No.:** **US D869,743 S**

(45) **Date of Patent:** **\*\* Dec. 10, 2019**

(54) **LIGHTING SYSTEM SUSPENSION**

(71) Applicant: **Contemporary Visions, LLC**,  
Larchmont, NY (US)

(72) Inventor: **Robert A. Sonneman**, Mamaroneck,  
NY (US)

(73) Assignee: **Contemporary Visions, LLC**,  
Larchmont, NY (US)

(\*\*) Term: **15 Years**

(21) Appl. No.: **29/673,774**

(22) Filed: **Dec. 18, 2018**

(51) **LOC (12) Cl.** ..... **26-99**

(52) **U.S. Cl.**  
USPC ..... **D26/138**

(58) **Field of Classification Search**  
USPC ..... D26/76, 78, 79, 80, 81, 82, 83, 84, 85,  
D26/87, 88, 90, 93, 110, 113, 118, 119,  
D26/120, 121, 122, 138, 140-145;  
D23/377, 379, 385, 411

CPC .... F21S 4/00; F21S 4/003; F21S 4/006; F21S  
4/007; F21S 4/008; F21S 6/004; F21S  
6/005; F21S 8/06; F21V 15/01; F21V  
15/013; F21V 3/00; F21V 17/04; F21V  
23/06; F21K 9/54; F21Y 211/10

See application file for complete search history.

(56) **References Cited**

**U.S. PATENT DOCUMENTS**

D87,923 S \* 10/1932 Hoffman ..... D26/88  
D94,893 S \* 3/1935 Guth ..... D26/88

D399,330 S \* 10/1998 Geier ..... D26/88  
D418,622 S \* 1/2000 Diaz-Azcuy ..... D26/84  
D570,030 S \* 5/2008 Starck ..... D26/84  
D614,340 S \* 4/2010 Thun ..... D26/88  
D649,674 S \* 11/2011 Sabernig ..... D26/84  
D779,715 S \* 2/2017 Sonneman ..... D26/138  
D799,098 S \* 10/2017 Hendifar ..... D26/88  
D846,789 S \* 4/2019 Barber ..... D26/88

\* cited by examiner

*Primary Examiner* — Brian N. Vinson

(74) *Attorney, Agent, or Firm* — Gottlieb, Rackman &  
Reisman, P.C.

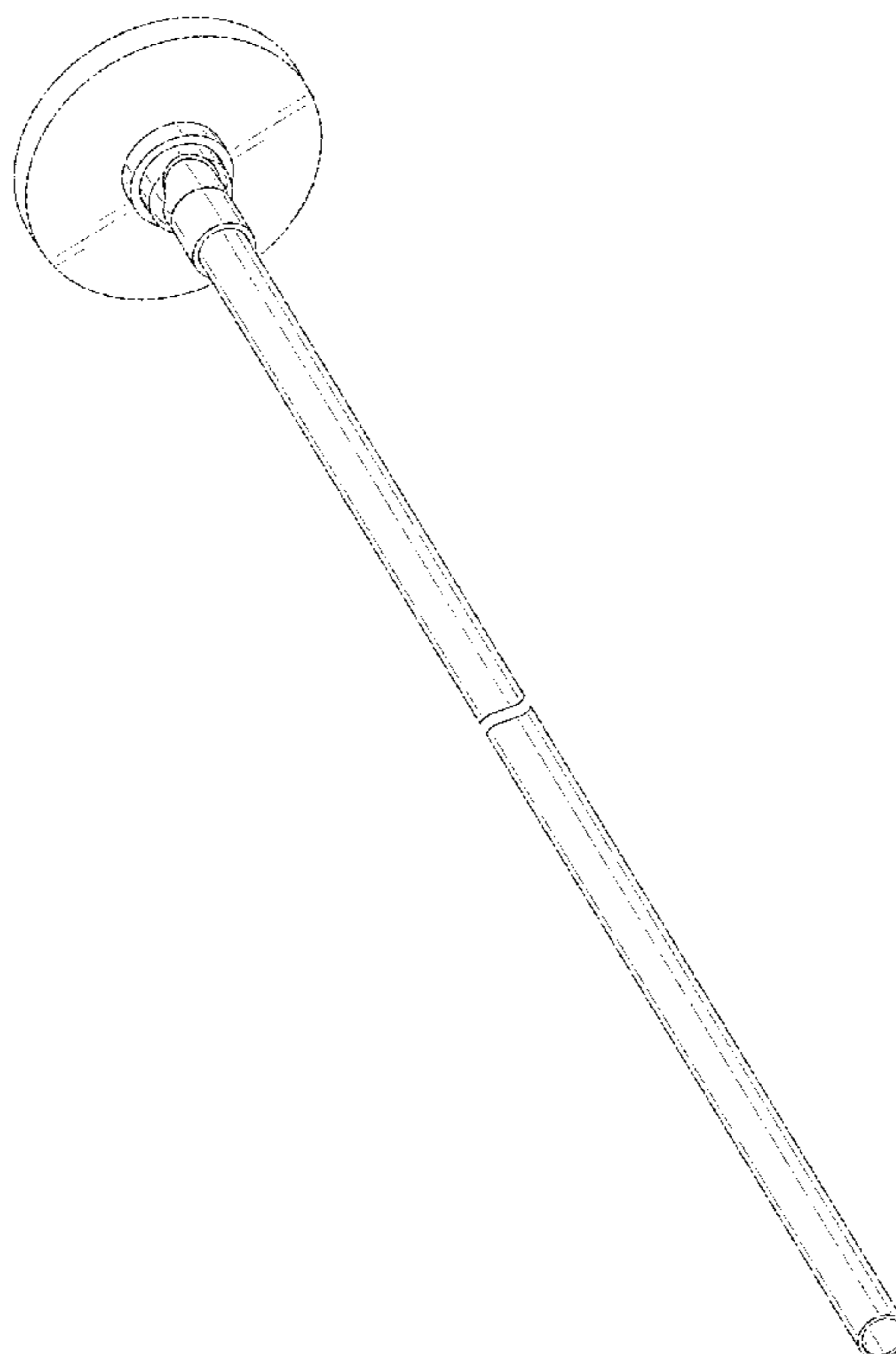
(57) **CLAIM**

The ornamental design for a lighting system suspension, as  
shown and described.

**DESCRIPTION**

FIG. 1 is a top perspective view of a light system suspension  
showing my new design;  
FIG. 2 is a bottom perspective view thereof;  
FIG. 3 is a first side elevational view thereof;  
FIG. 4 is a second side elevational view thereof;  
FIG. 5 is a third side elevational view thereof;  
FIG. 6 is a fourth side elevational view thereof;  
FIG. 7 is a top plan view thereof; and,  
FIG. 8 is a bottom plan view thereof.

**1 Claim, 7 Drawing Sheets**



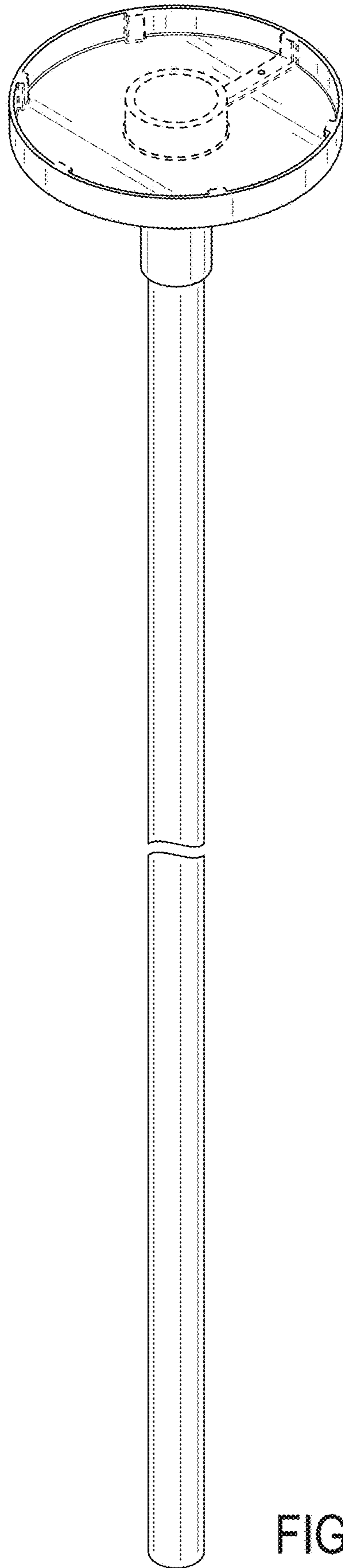


FIG. 1

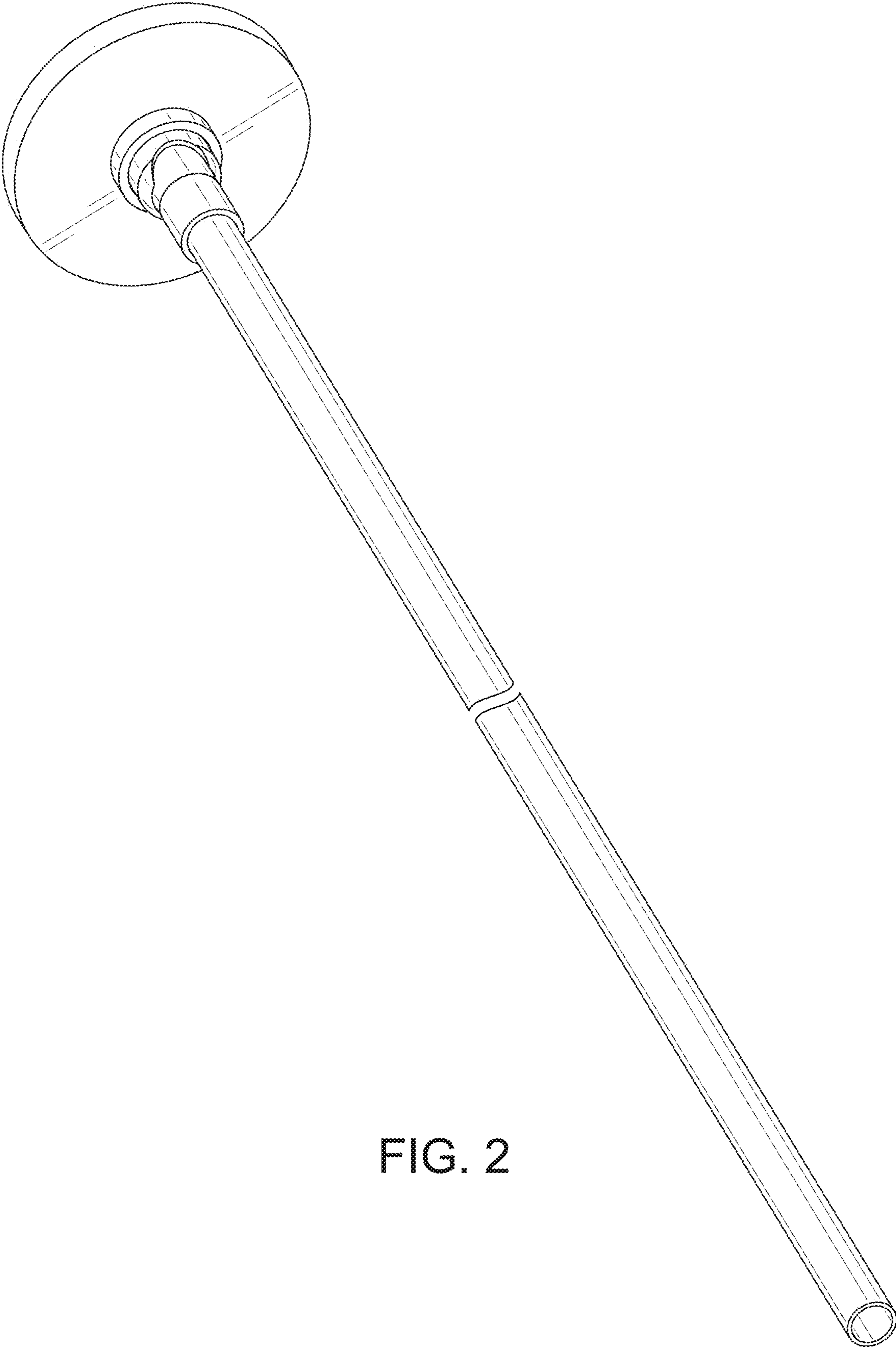


FIG. 2

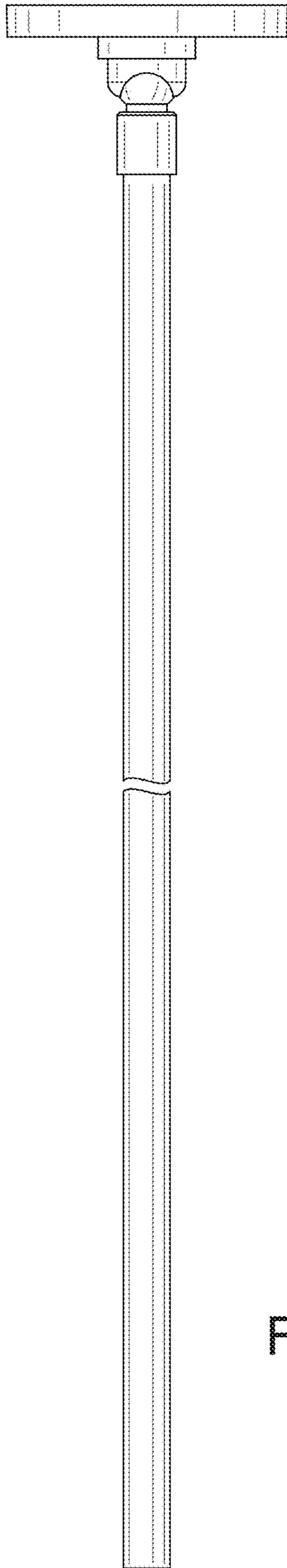


FIG. 3

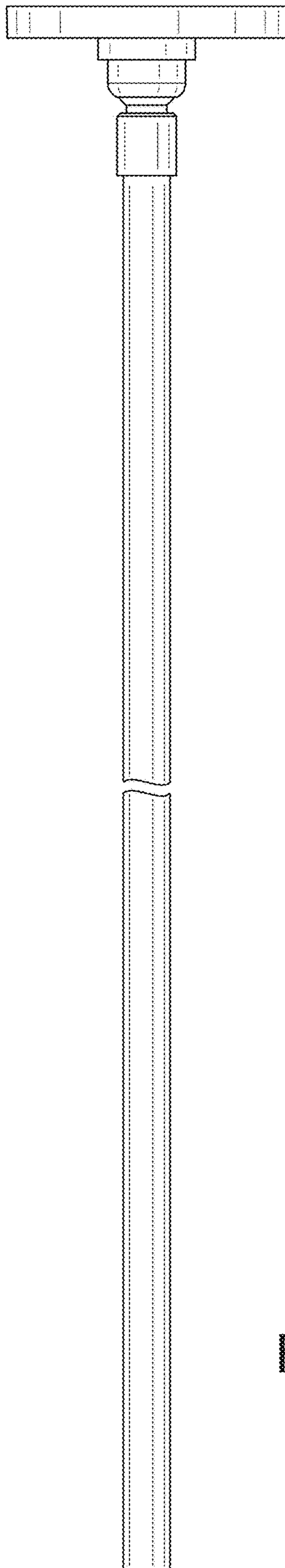


FIG. 4

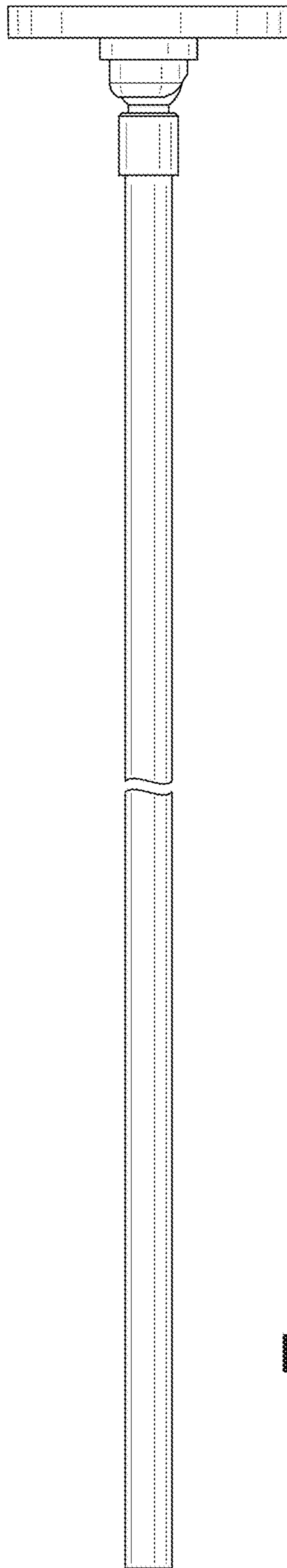


FIG. 5

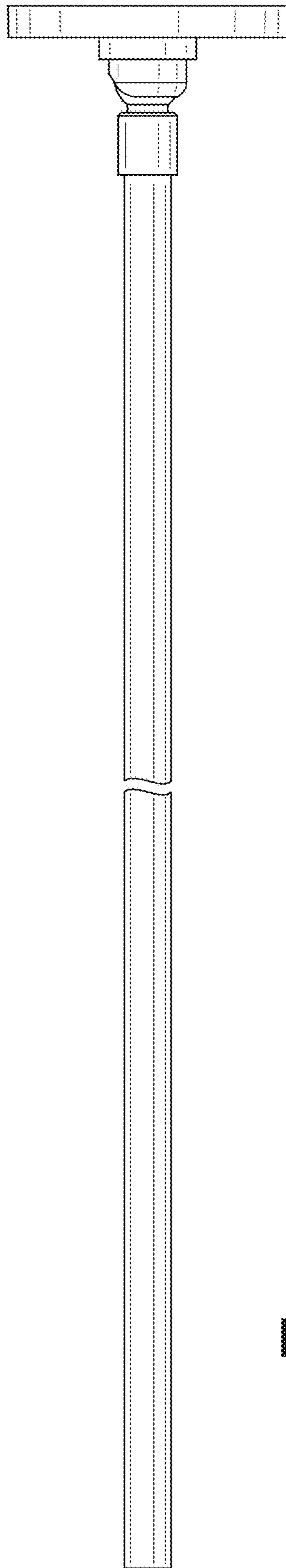


FIG. 6

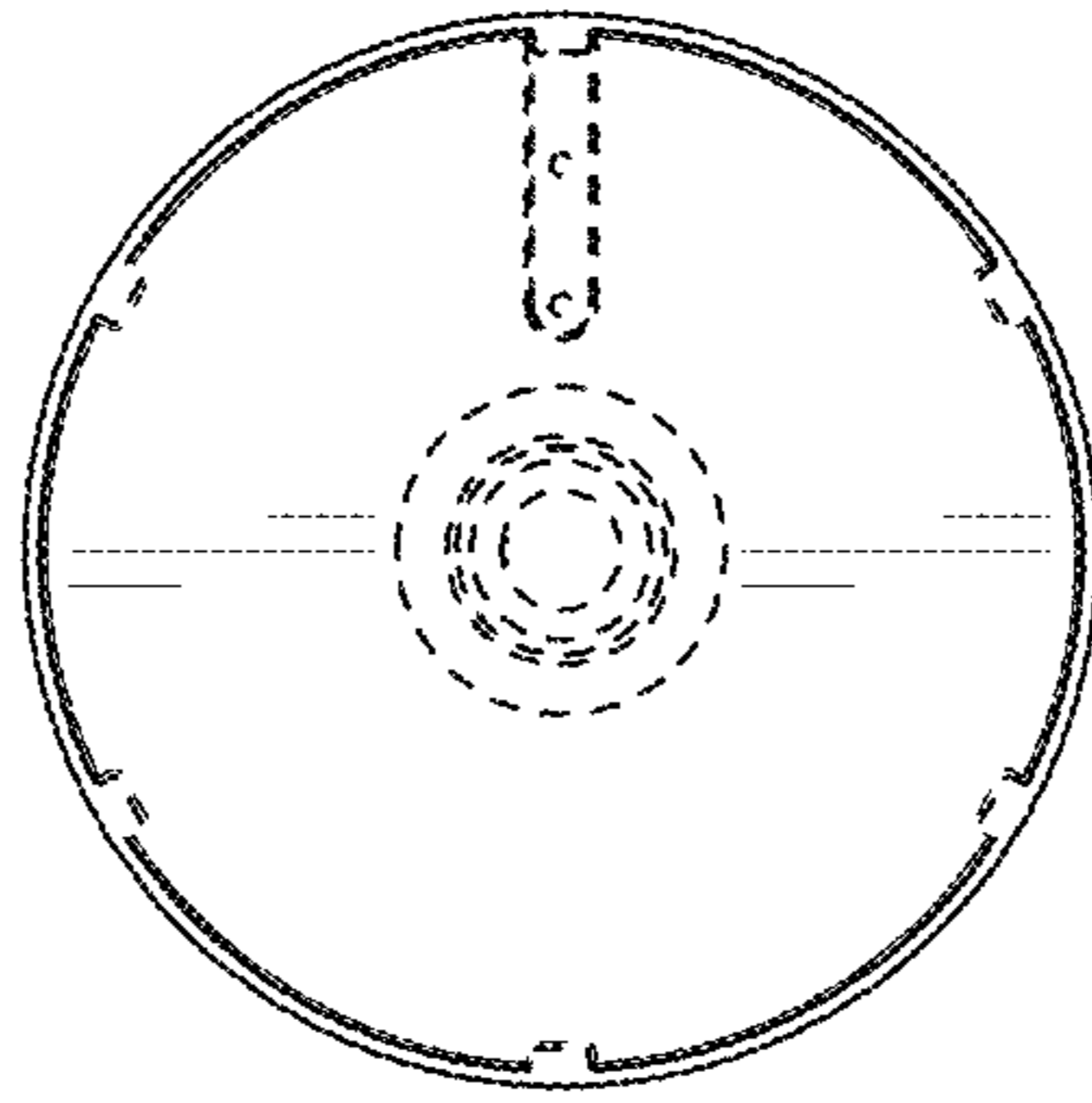


FIG. 7

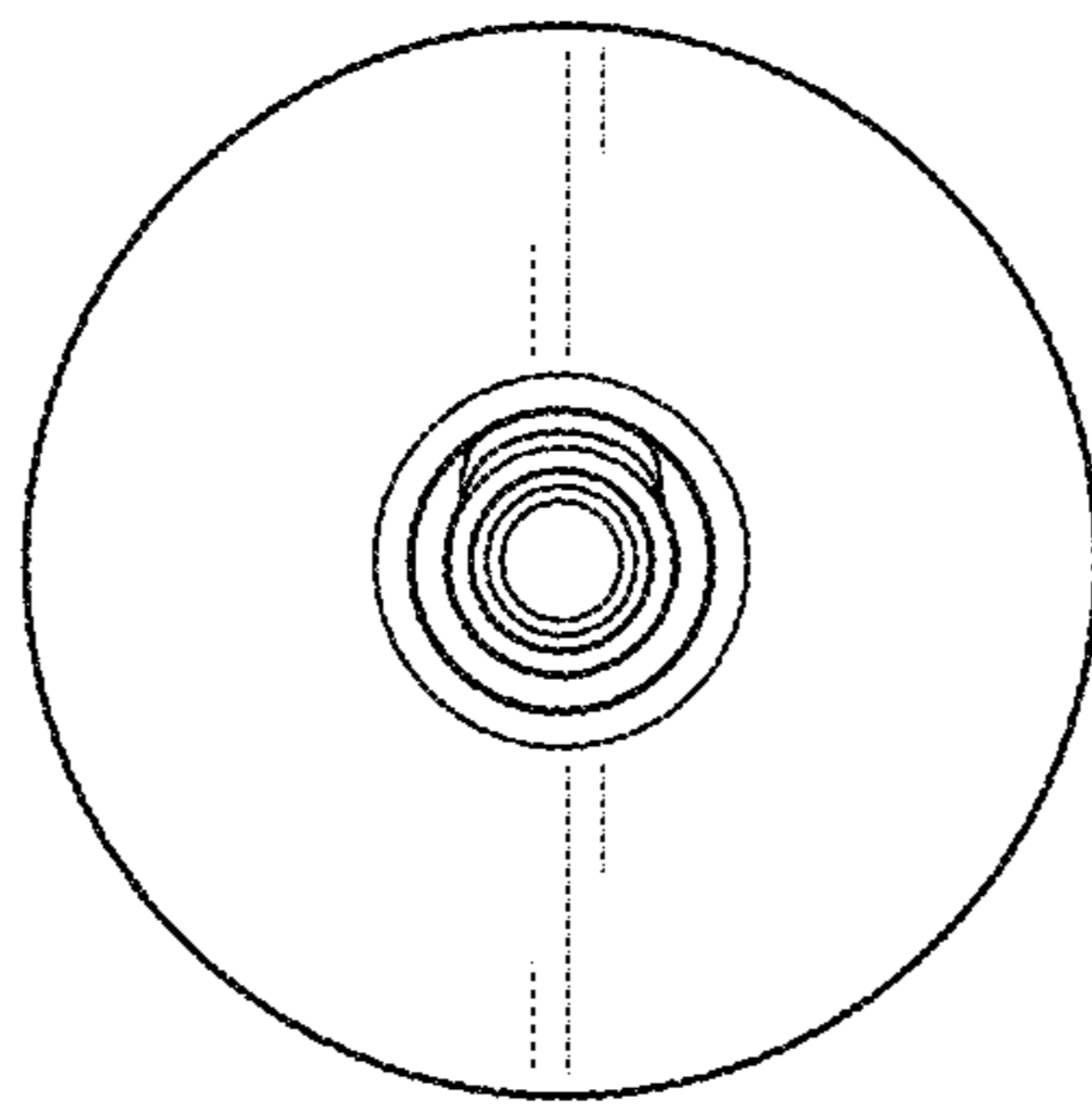


FIG. 8