



US00D869742S

(12) **United States Design Patent**  
**Sonneman**

(10) **Patent No.:** **US D869,742 S**

(45) **Date of Patent:** **\*\* Dec. 10, 2019**

(54) **LIGHTING SYSTEM SUSPENSION**

(71) Applicant: **Contemporary Visions, LLC**,  
Larchmont, NY (US)

(72) Inventor: **Robert A. Sonneman**, Mamaroneck,  
NY (US)

(73) Assignee: **Contemporary Visions, LLC**,  
Larchmont, NY (US)

(\*\*) Term: **15 Years**

(21) Appl. No.: **29/673,773**

(22) Filed: **Dec. 18, 2018**

(51) **LOC (12) Cl.** ..... **26-99**

(52) **U.S. Cl.**  
USPC ..... **D26/138**

(58) **Field of Classification Search**

USPC ..... D26/76, 78, 79, 80, 81, 82, 83, 84, 85,  
D26/87, 88, 90, 93, 110, 113, 118, 119,  
D26/120, 121, 122, 138, 140-145;  
D23/377, 379, 385, 411  
CPC .... F21S 4/00; F21S 4/003; F21S 4/006; F21S  
4/007; F21S 4/008; F21S 6/004; F21S  
6/005; F21S 8/06; F21V 15/01; F21V  
15/013; F21V 3/00; F21V 17/04; F21V  
23/06; F21K 9/54; F21Y 211/10

See application file for complete search history.

(56) **References Cited**

**U.S. PATENT DOCUMENTS**

D87,923 S \* 10/1932 Hoffman ..... D26/88  
D94,893 S \* 3/1935 Guth ..... D26/88

D399,330 S \* 10/1998 Geier ..... D26/88  
D418,622 S \* 1/2000 Diaz-Azcuy ..... D26/84  
D570,030 S \* 5/2008 Starck ..... D26/84  
D614,340 S \* 4/2010 Thun ..... D26/88  
D649,674 S \* 11/2011 Sabernig ..... D26/84  
D779,715 S \* 2/2017 Sonneman ..... D26/138  
D799,098 S \* 10/2017 Hendifar ..... D26/88  
D846,789 S \* 4/2019 Barber ..... D26/88

\* cited by examiner

*Primary Examiner* — Brian N. Vinson

(74) *Attorney, Agent, or Firm* — Gottlieb, Rackman &  
Reisman, P.C.

(57) **CLAIM**

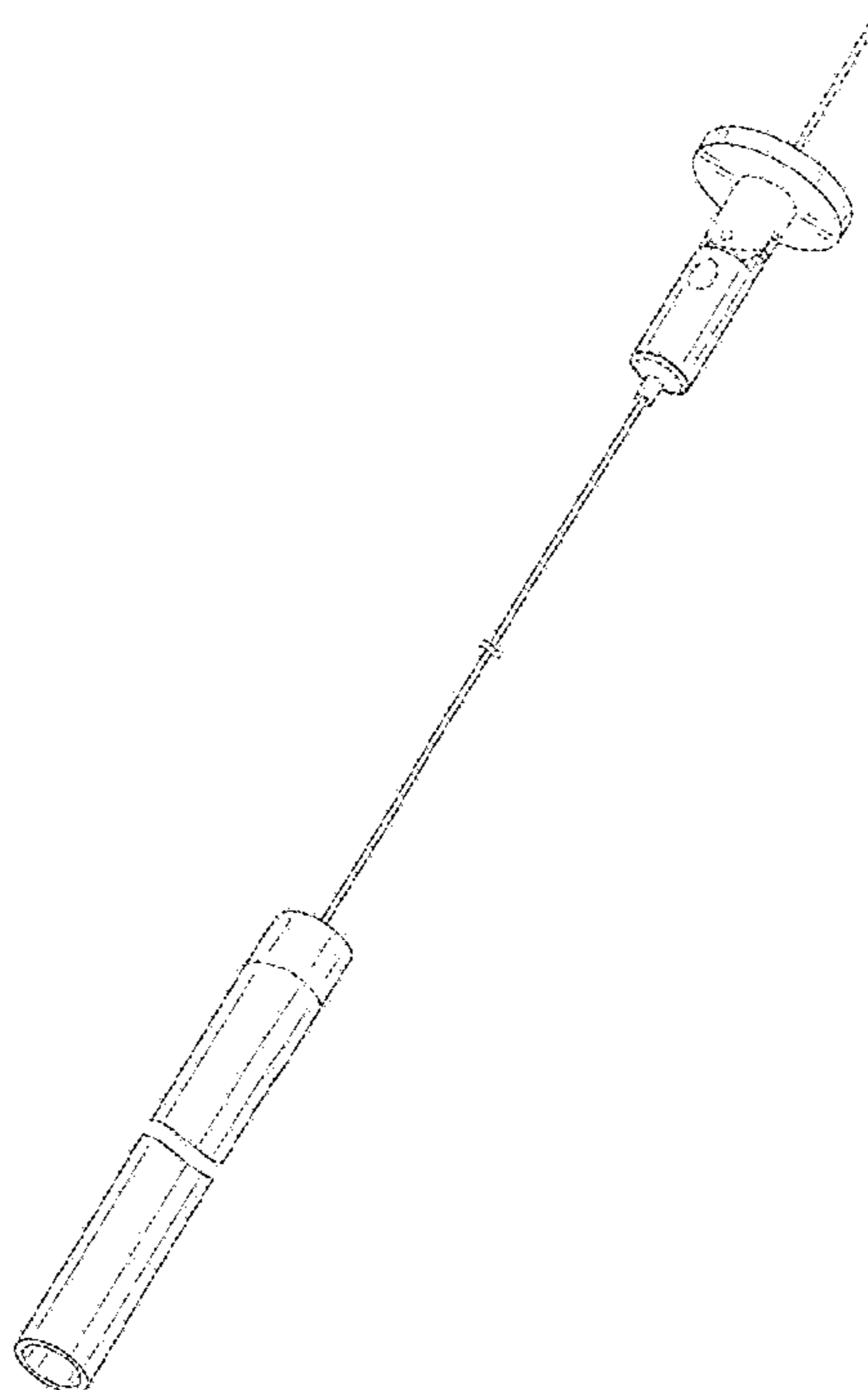
The ornamental design for a lighting system suspension, as  
shown and described.

**DESCRIPTION**

FIG. 1 is a top perspective view of a light system suspension  
showing my new design;  
FIG. 2 is a bottom perspective view thereof;  
FIG. 3 is a first side elevational view thereof;  
FIG. 4 is a second side elevational view thereof;  
FIG. 5 is a third side elevational view thereof;  
FIG. 6 is a fourth side elevational view thereof;  
FIG. 7 is a top plan view thereof; and,  
FIG. 8 is a bottom plan view thereof.

The broken lines shown in the drawings are included for the  
purpose of illustrating elements of the lighting system  
suspension and form no part of the claimed design.

**1 Claim, 7 Drawing Sheets**



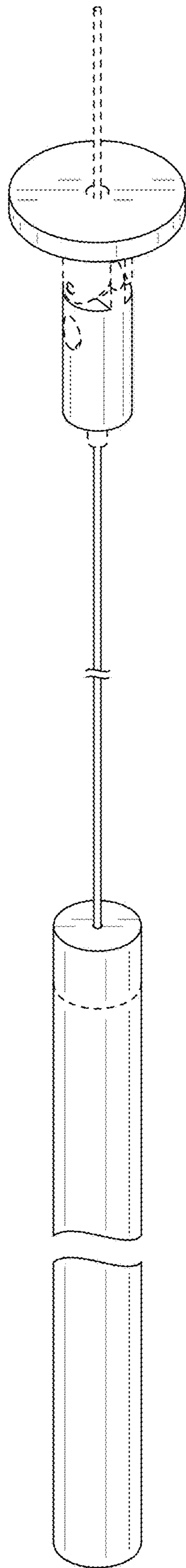


FIG. 1

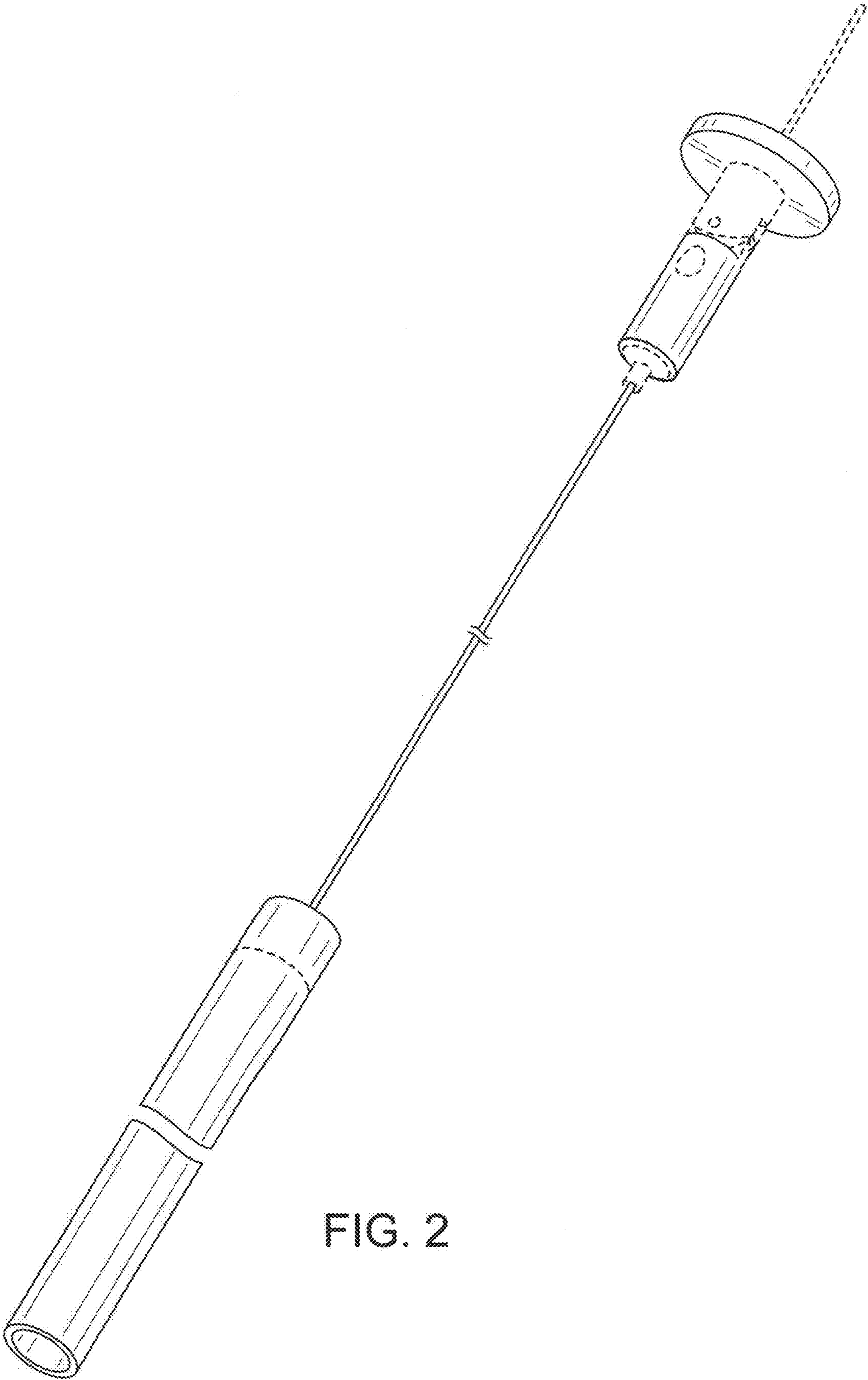


FIG. 2

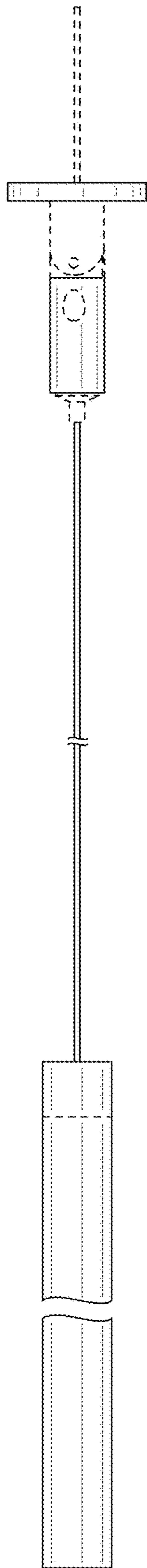


FIG. 3

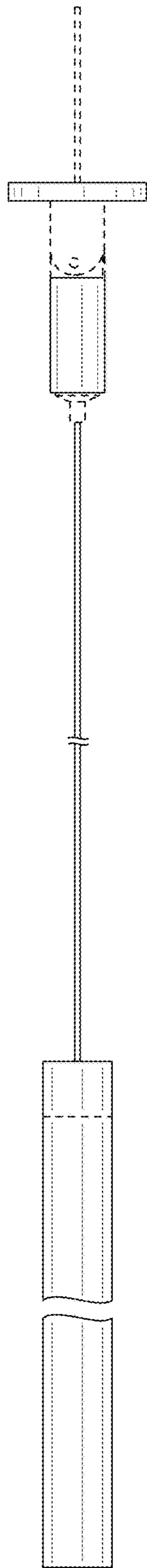


FIG. 4

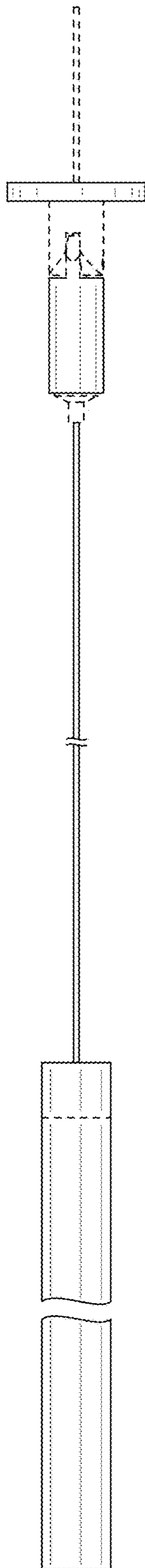


FIG. 5

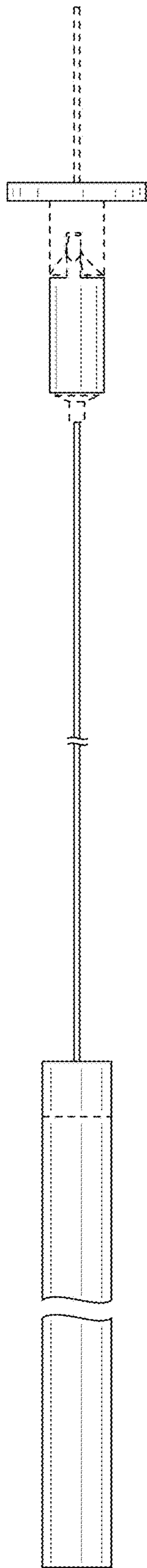


FIG. 6

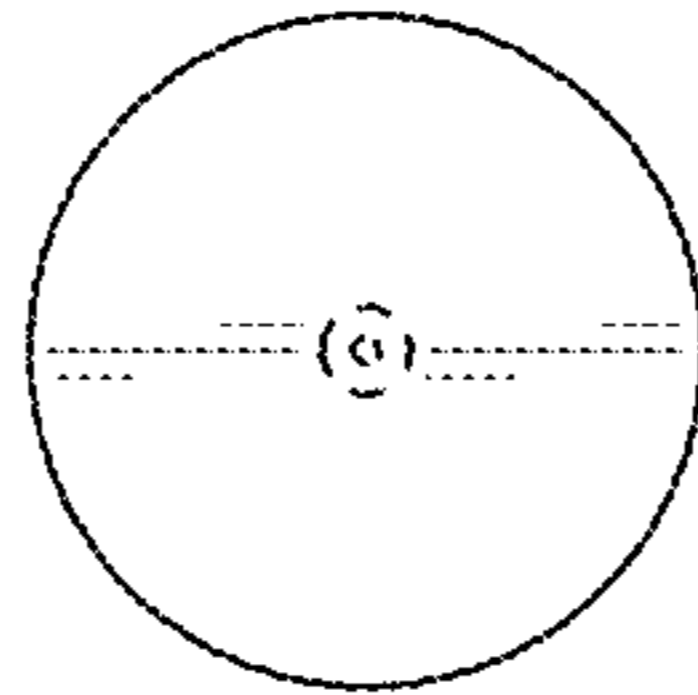


FIG. 7

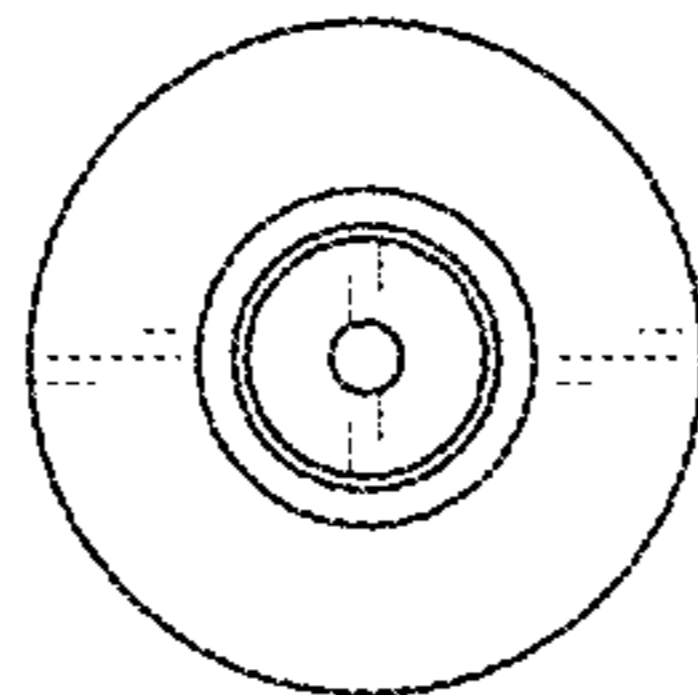


FIG. 8