



US00D869741S

(12) **United States Design Patent**
Sonneman

(10) **Patent No.:** **US D869,741 S**

(45) **Date of Patent:** **** Dec. 10, 2019**

(54) **LIGHTING SYSTEM SUSPENSION**

(71) Applicant: **Contemporary Visions, LLC**,
Larchmont, NY (US)

(72) Inventor: **Robert A. Sonneman**, Mamaroneck,
NY (US)

(73) Assignee: **Contemporary Visions, LLC**,
Larchmont, NY (US)

(**) Term: **15 Years**

(21) Appl. No.: **29/673,772**

(22) Filed: **Dec. 18, 2018**

(51) **LOC (12) Cl.** **26-99**

(52) **U.S. Cl.**
USPC **D26/138**

(58) **Field of Classification Search**
USPC D26/76, 78, 79, 80, 81, 82, 83, 84, 85,
D26/87, 88, 90, 93, 110, 113, 118, 119,
D26/120, 121, 122, 138, 140-145;
D23/377, 379, 385, 411
CPC F21S 4/00; F21S 4/003; F21S 4/006; F21S
4/007; F21S 4/008; F21S 6/004; F21S
6/005; F21S 8/06; F21V 15/01; F21V
15/013; F21V 3/00; F21V 17/04; F21V
23/06; F21K 9/54; F21Y 211/10
See application file for complete search history.

(56) **References Cited**

U.S. PATENT DOCUMENTS

D87,923 S * 10/1932 Hoffman D26/88
D94,893 S * 3/1935 Guth D26/88

D399,330 S * 10/1998 Geier D26/88
D418,622 S * 1/2000 Diaz-Azcuy D26/84
D570,030 S * 5/2008 Starck D26/84
D614,340 S * 4/2010 Thun D26/88
D649,674 S * 11/2011 Sabernig D26/84
D779,715 S * 2/2017 Sonneman D26/138
D799,098 S * 10/2017 Hendifar D26/88
D846,789 S * 4/2019 Barber D26/88

* cited by examiner

Primary Examiner — Brian N. Vinson

(74) *Attorney, Agent, or Firm* — Gottlieb, Rackman &
Reisman, P.C.

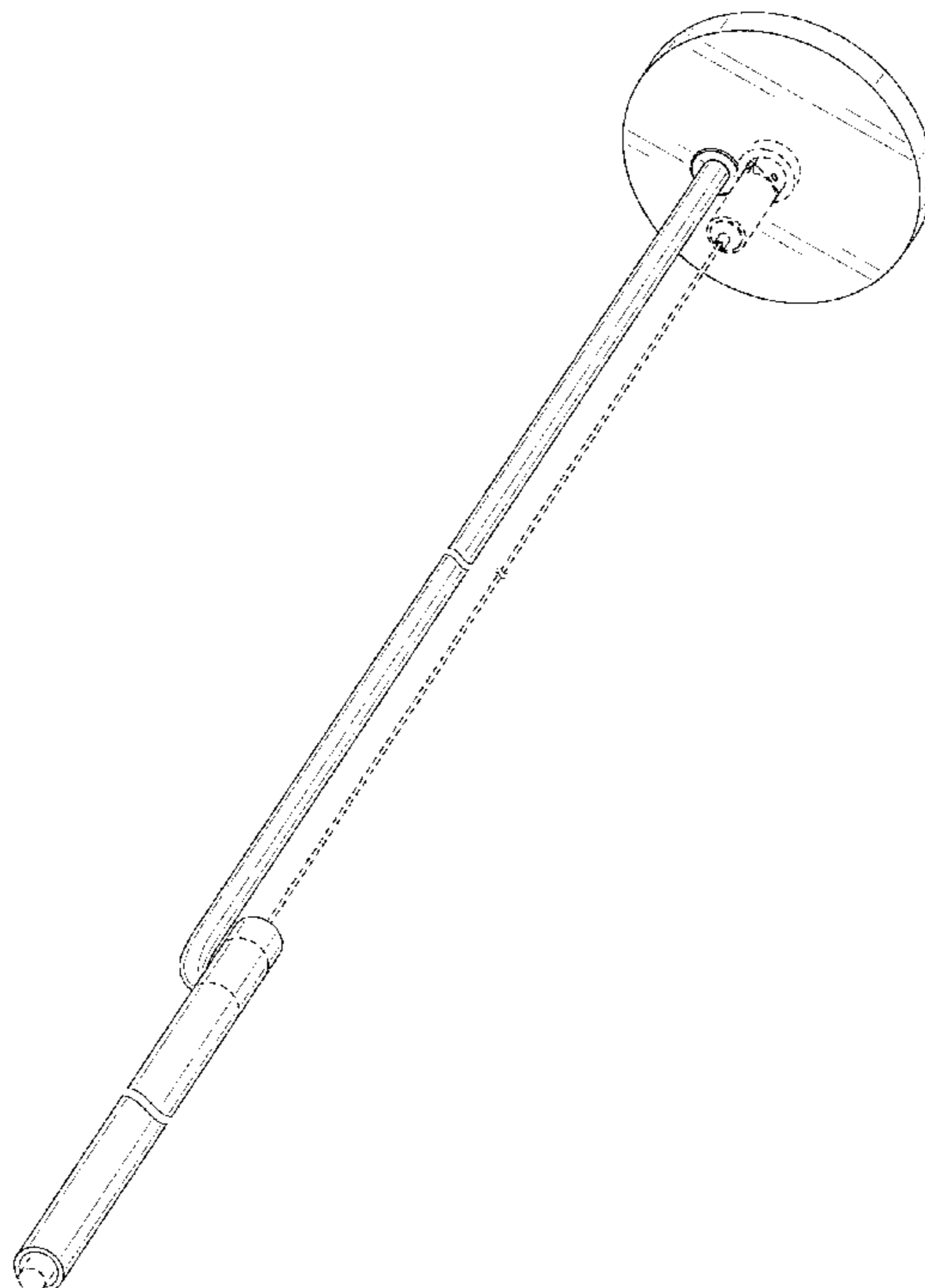
(57) **CLAIM**

The ornamental design for a lighting system suspension, as shown and described.

DESCRIPTION

FIG. 1 is a top perspective view of a lighting system suspension showing my new design;
FIG. 2 is a bottom perspective view thereof;
FIG. 3 is a first side elevational view thereof;
FIG. 4 is a second side elevational view thereof;
FIG. 5 is a third side elevational view thereof;
FIG. 6 is a fourth side elevational view thereof;
FIG. 7 is a top plan view thereof; and,
FIG. 8 is a bottom plan view thereof.
The broken lines shown in the drawings are included for the purpose of illustrating elements of the lighting system suspension and form no part of the claimed design.

1 Claim, 7 Drawing Sheets



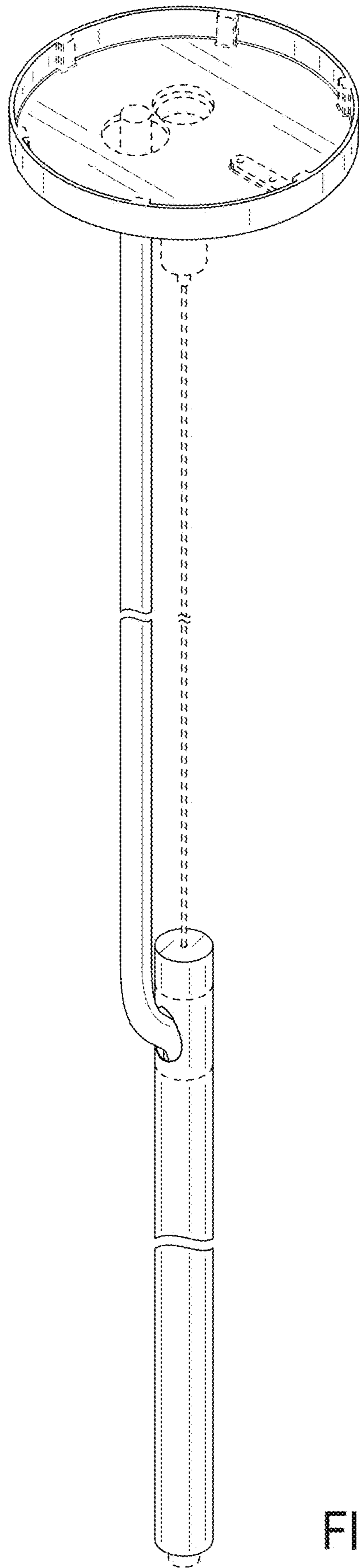


FIG. 1

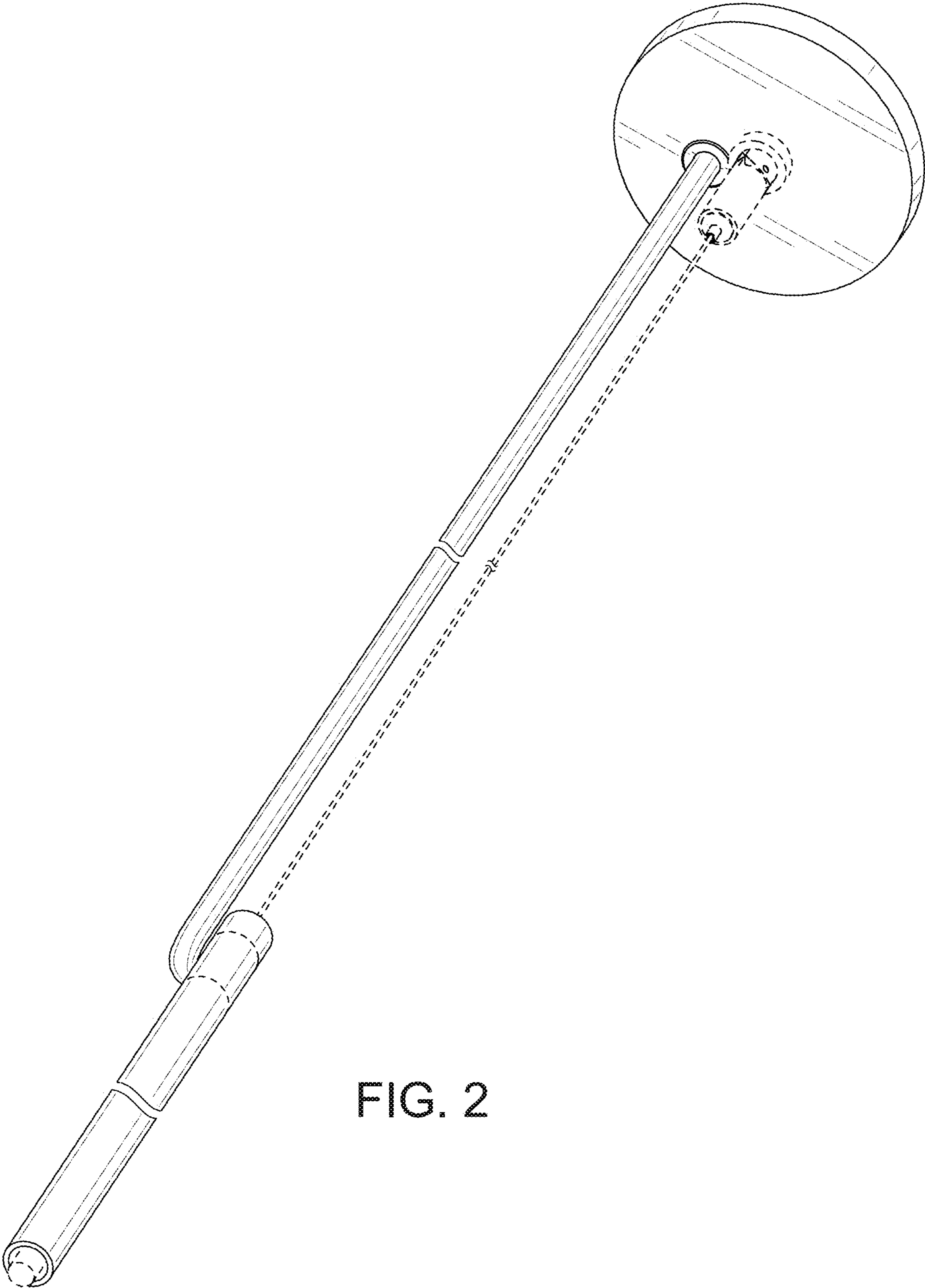


FIG. 2

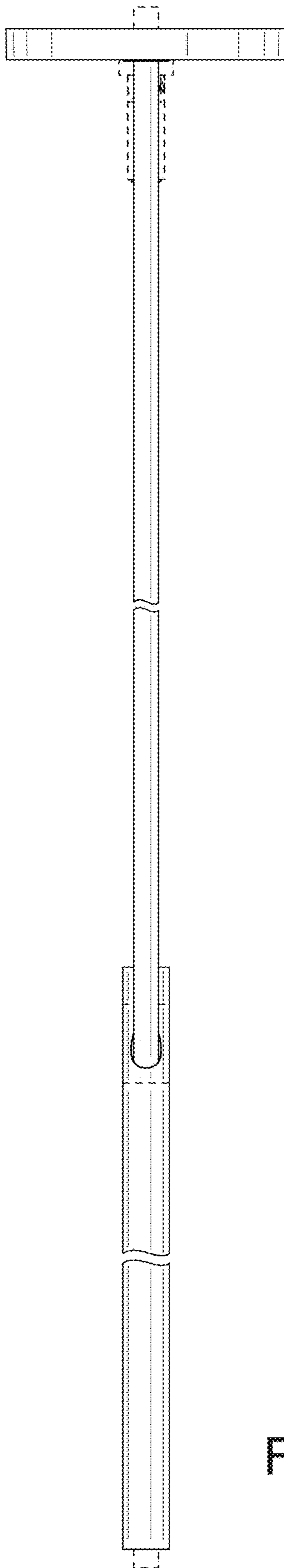


FIG. 3

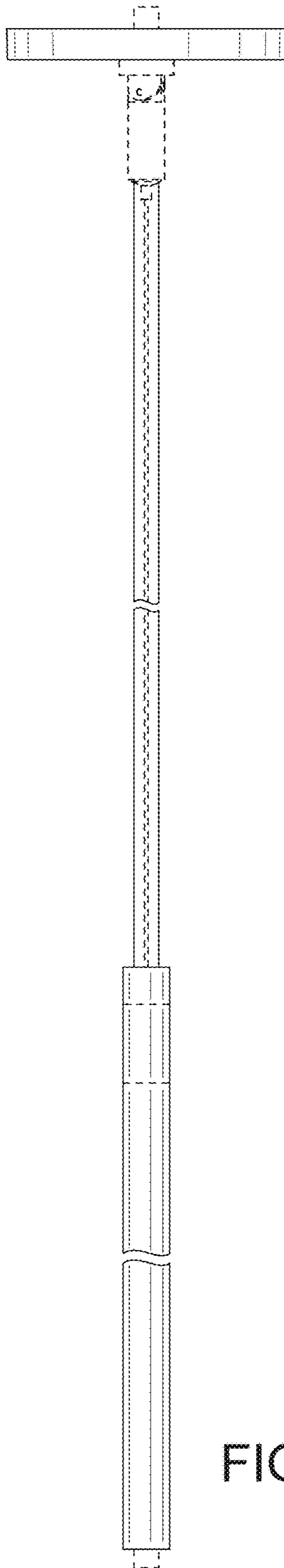


FIG. 4

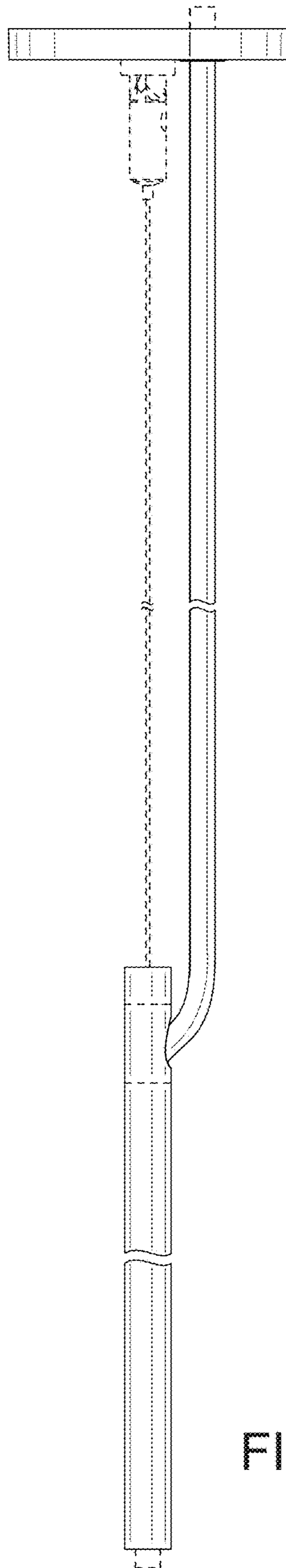


FIG. 5

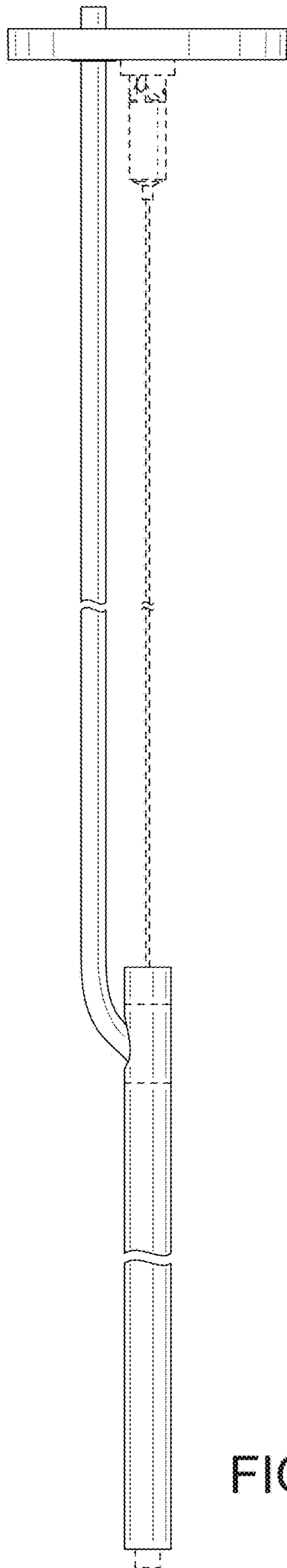


FIG. 6

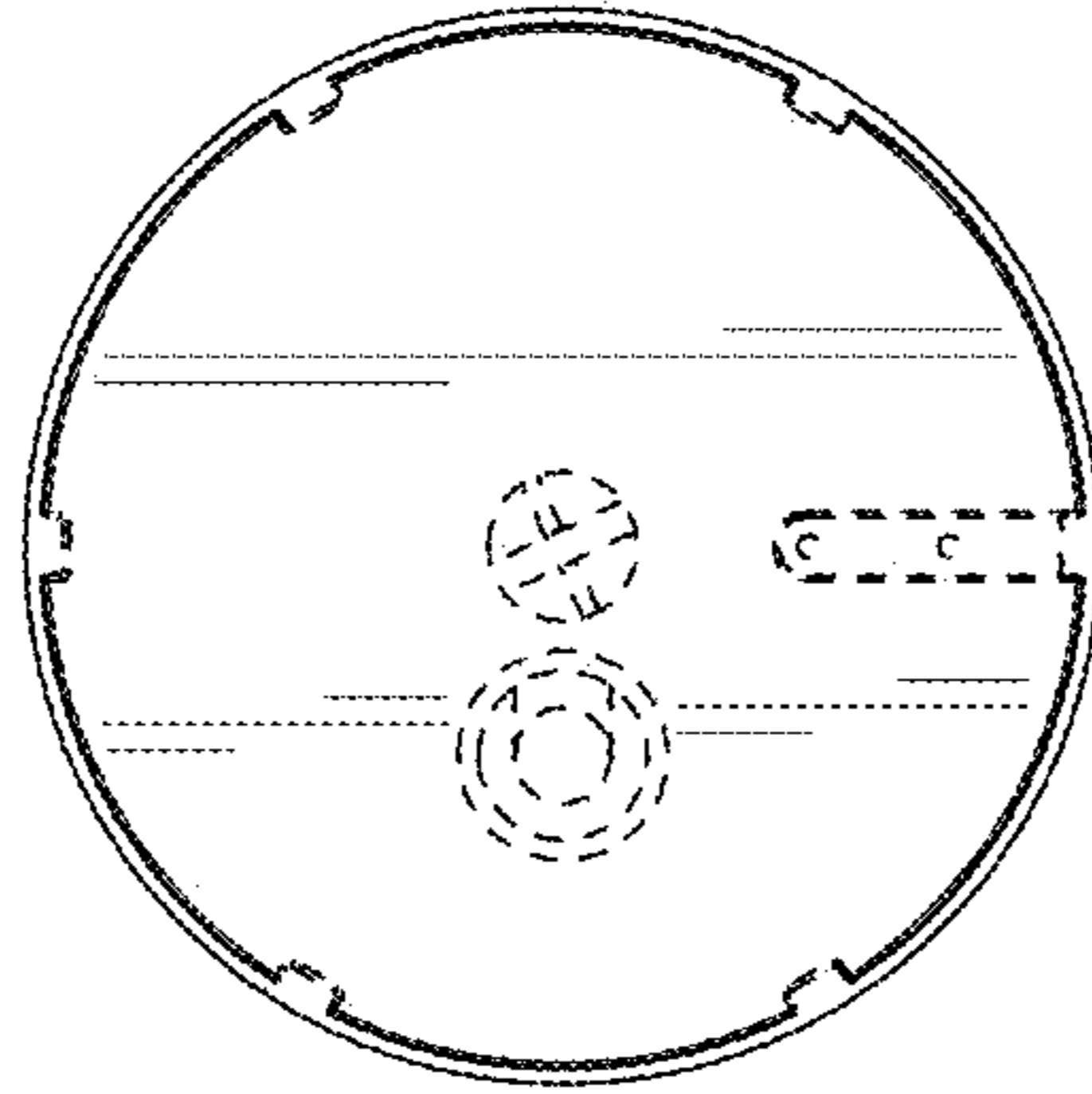


FIG. 7

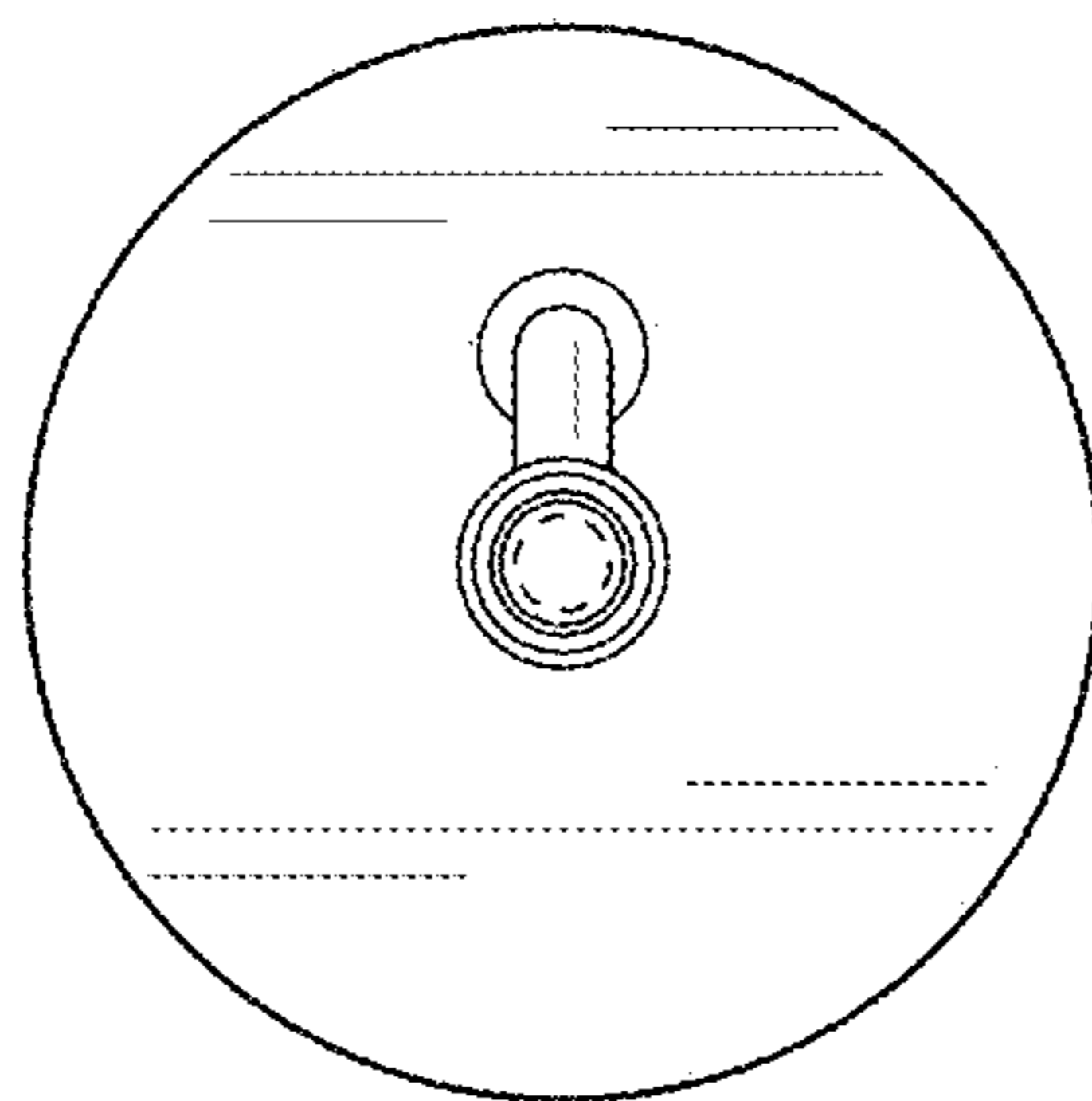


FIG. 8