



US00D869740S

(12) **United States Design Patent** (10) **Patent No.:** **US D869,740 S**
Sonneman (45) **Date of Patent:** **** Dec. 10, 2019**

(54) **LIGHT TRIM**

(56) **References Cited**

(71) Applicant: **Contemporary Visions, LLC**,
Larchmont, NY (US)

U.S. PATENT DOCUMENTS

(72) Inventor: **Robert A. Sonneman**, Mamaroneck,
NY (US)

D244,634 S * 6/1977 Tamarin D26/119
D389,268 S * 1/1998 Kay D26/118
D626,442 S * 11/2010 Jackson D10/114.8
D767,195 S * 9/2016 Pollack, Jr. D26/119
D770,080 S * 10/2016 Sanders D26/118

(73) Assignee: **Contemporary Visions, LLC**,
Larchmont, NY (US)

* cited by examiner

(**) Term: **15 Years**

Primary Examiner — Brian N. Vinson

(21) Appl. No.: **29/672,546**

(74) *Attorney, Agent, or Firm* — Gottlieb, Rackman &
Reisman, P.C.

(22) Filed: **Dec. 6, 2018**

(57) **CLAIM**

The ornamental design for a light trim, as shown and
described.

(51) **LOC (12) Cl.** **26-99**

DESCRIPTION

(52) **U.S. Cl.**

USPC **D26/118**

(58) **Field of Classification Search**

USPC ... D10/111, 114.1, 114.2, 114.5, 114.8, 121;
D26/72, 113, 120, 124, 138, 118, 119,
D26/149; D6/524, 551

CPC A63H 30/04; G05G 2009/04748; H04B
1/1027; F21S 8/04; F21S 2/005; F21S
2/00; F21Y 2103/00; B29D 21/04; F21V
21/14; F21V 7/0025; F21V 15/015; F21V
27/00; F21V 21/005

FIG. 1 is a first perspective view of a light trim showing my
new design;

FIG. 2 is a second perspective view thereof;

FIG. 3 is a first side elevational view thereof;

FIG. 4 is a second side elevational view thereof;

FIG. 5 is a third side elevational view thereof;

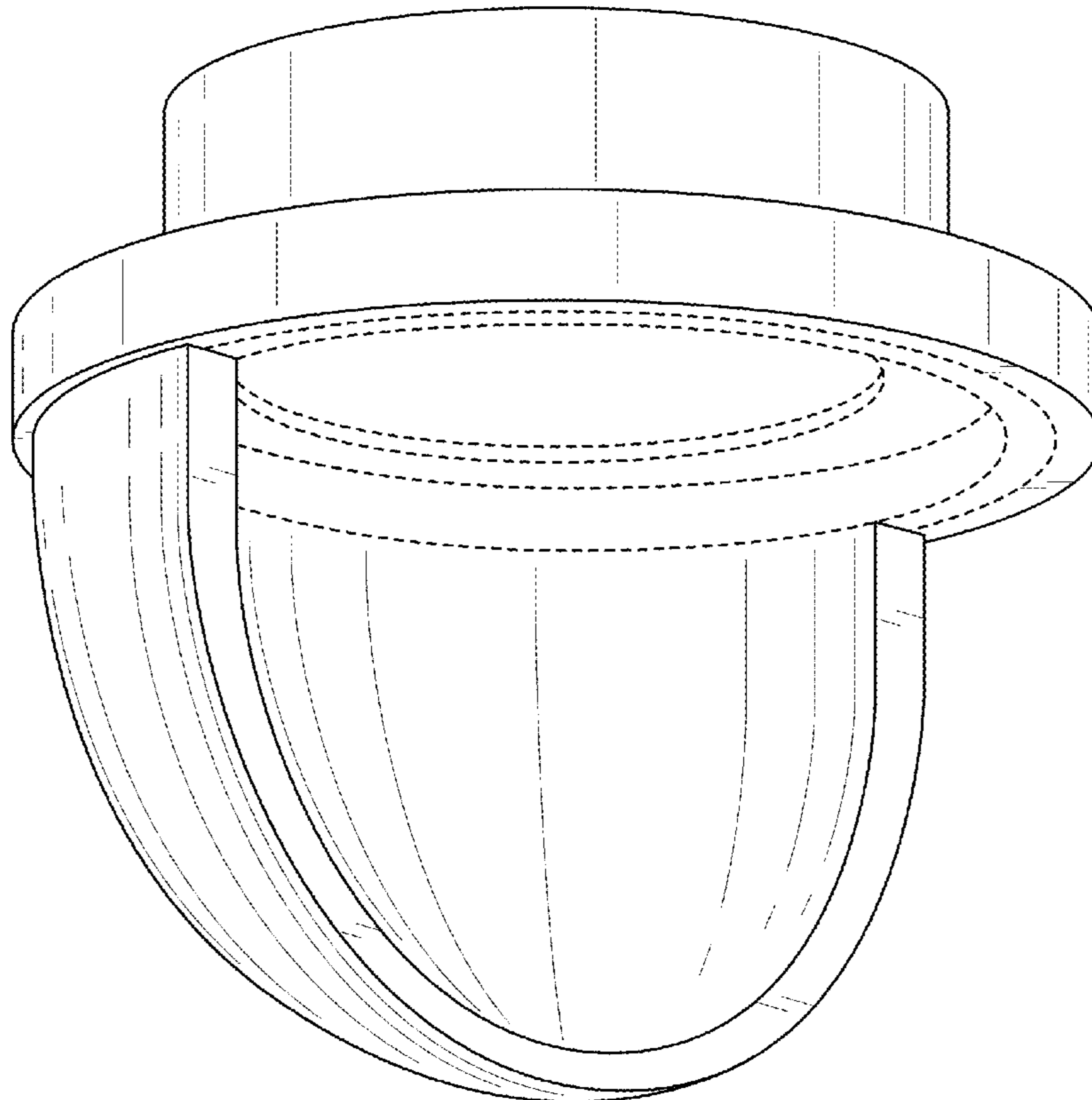
FIG. 6 is a fourth side elevational view thereof;

FIG. 7 is a top plan view thereof; and,

FIG. 8 is a bottom plan view thereof.

See application file for complete search history.

1 Claim, 8 Drawing Sheets



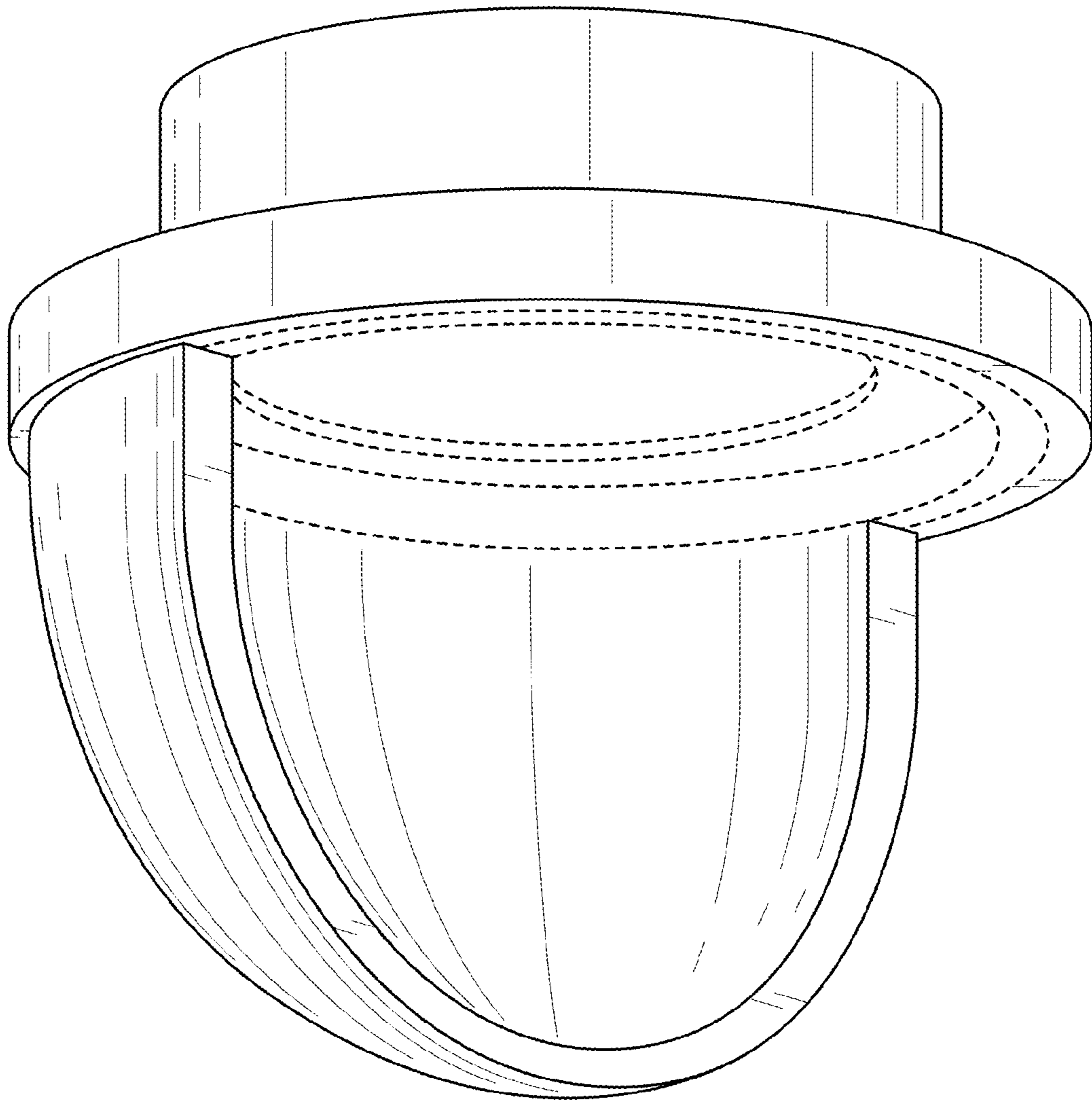


FIG. 1

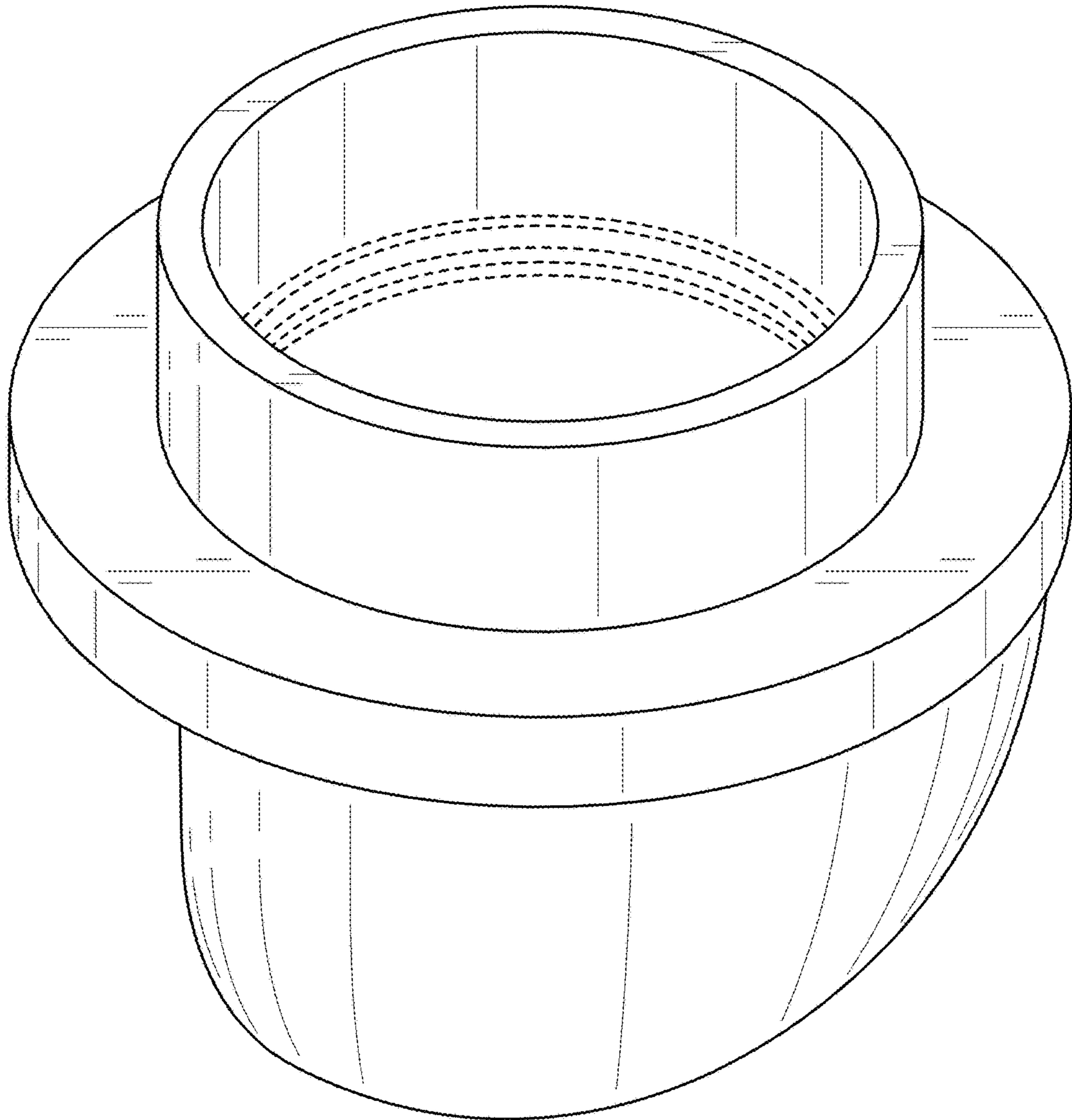


FIG. 2

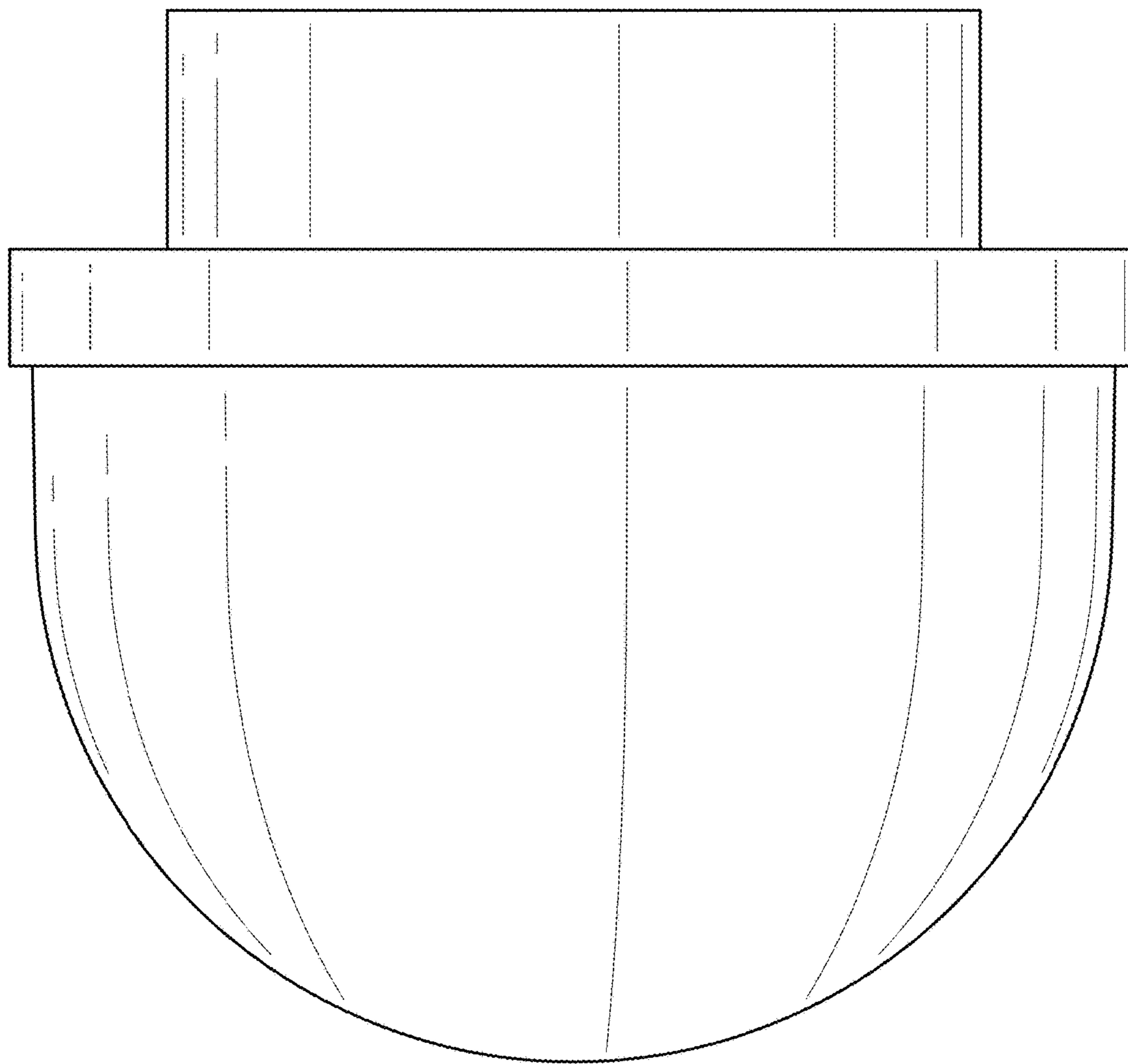


FIG. 3

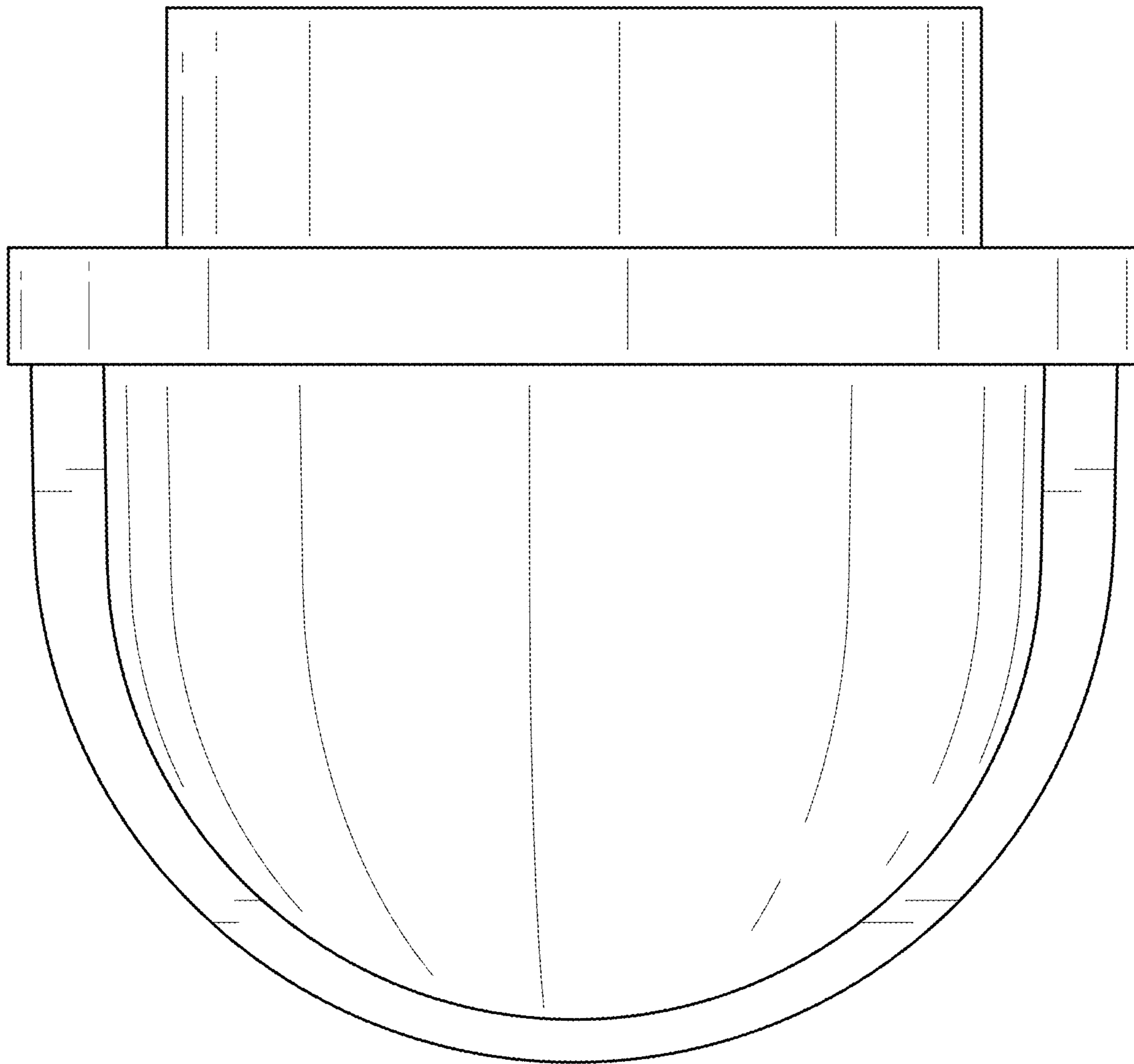


FIG. 4

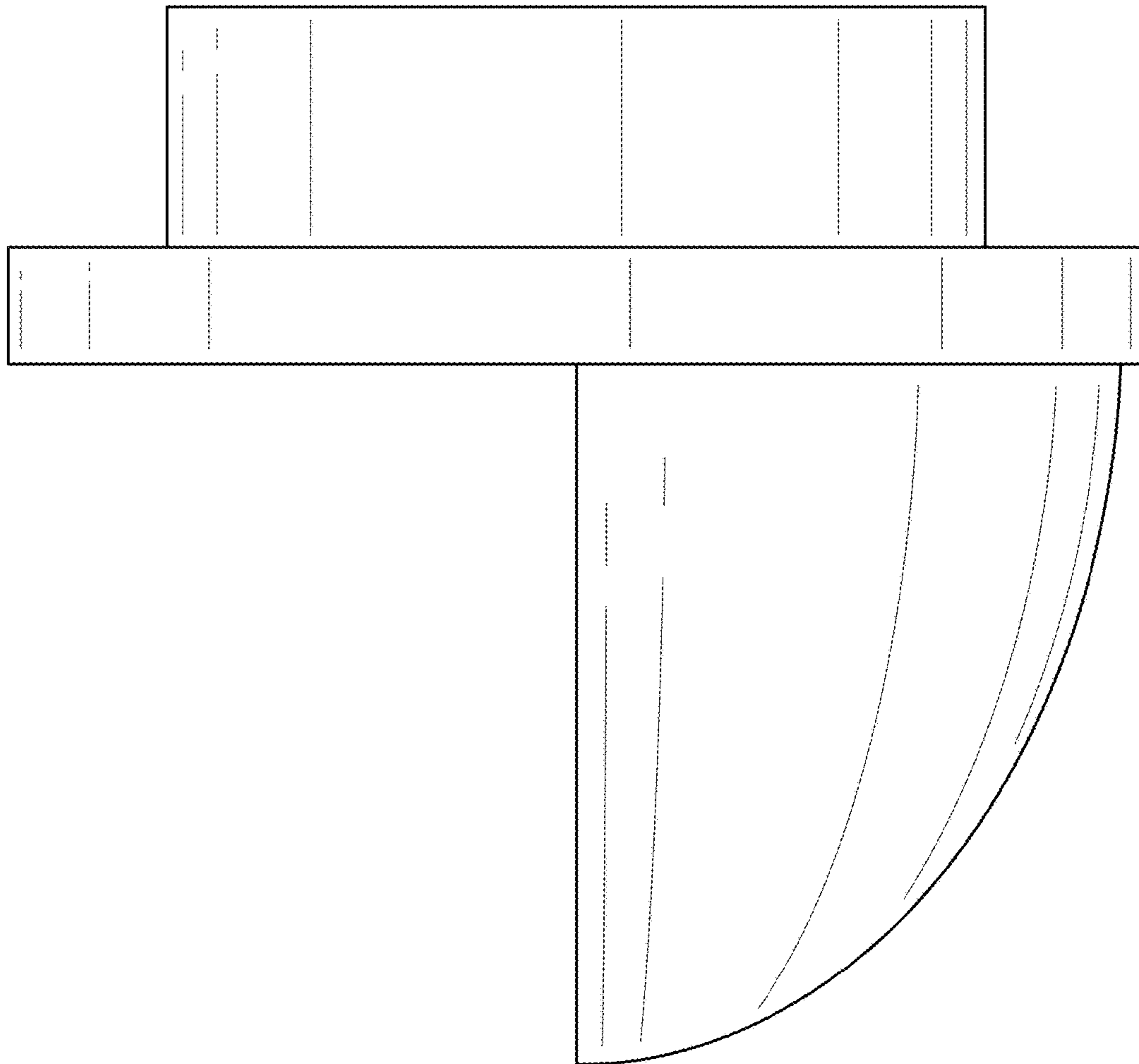


FIG. 5

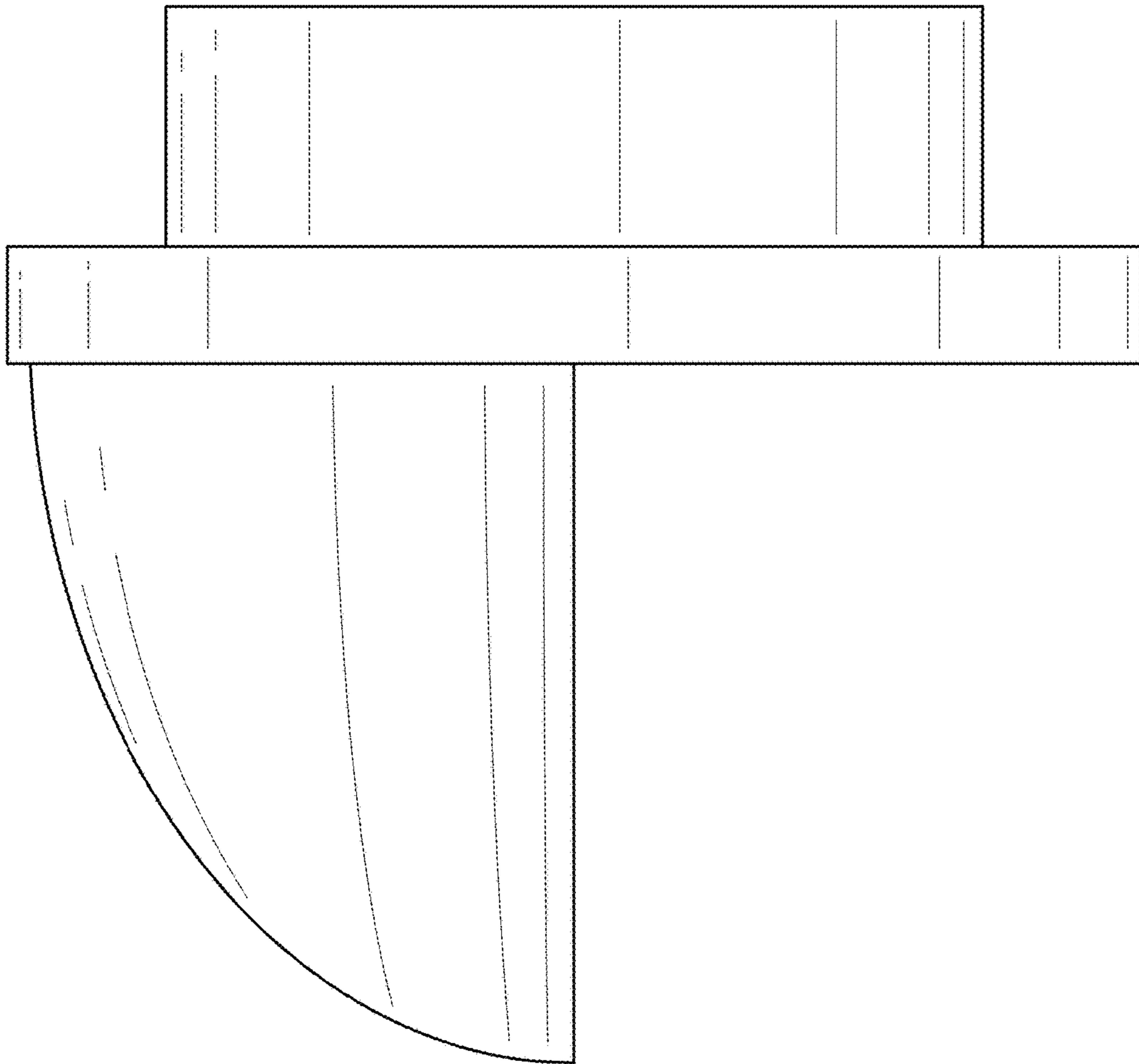


FIG. 6

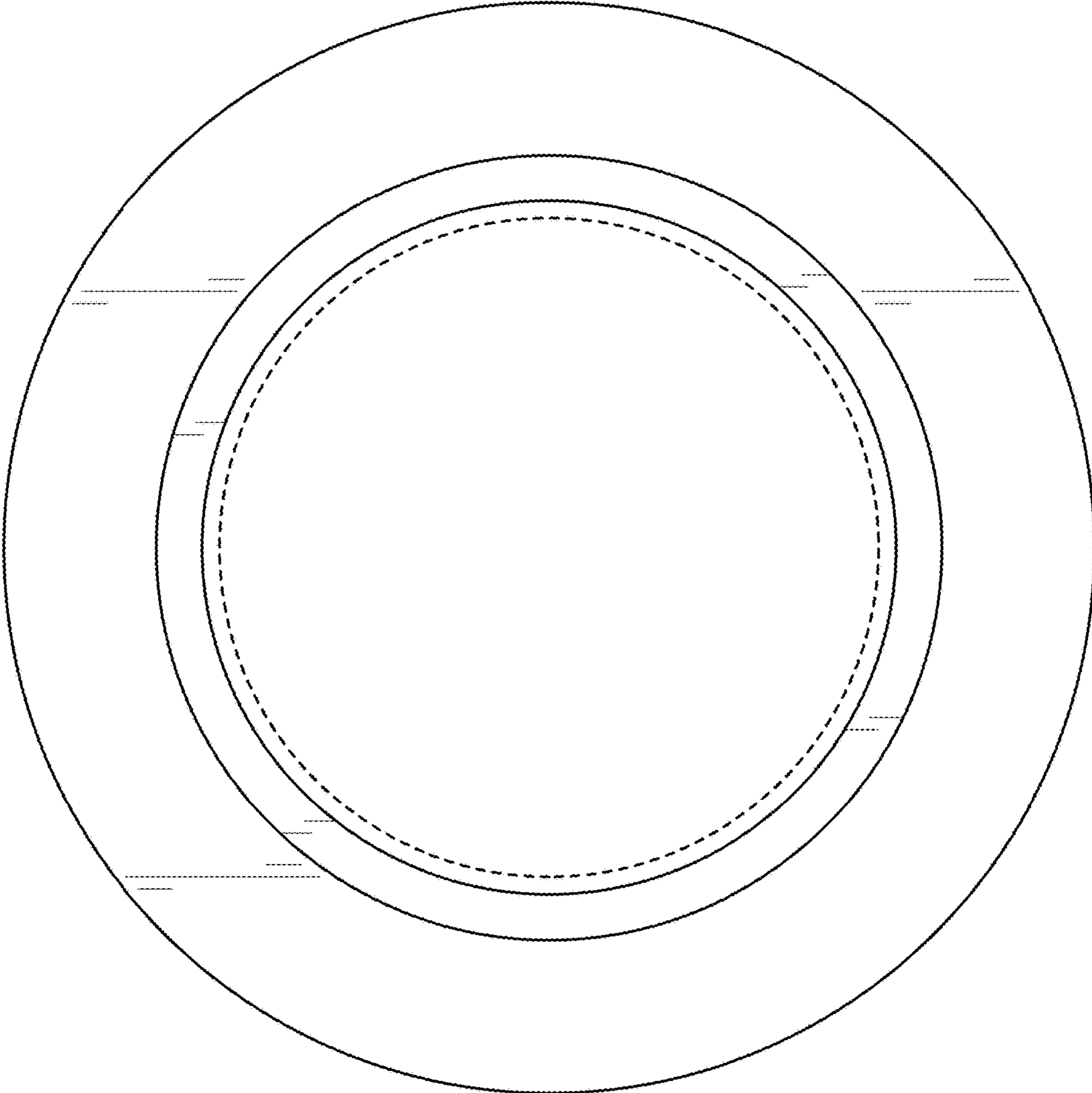


FIG. 7

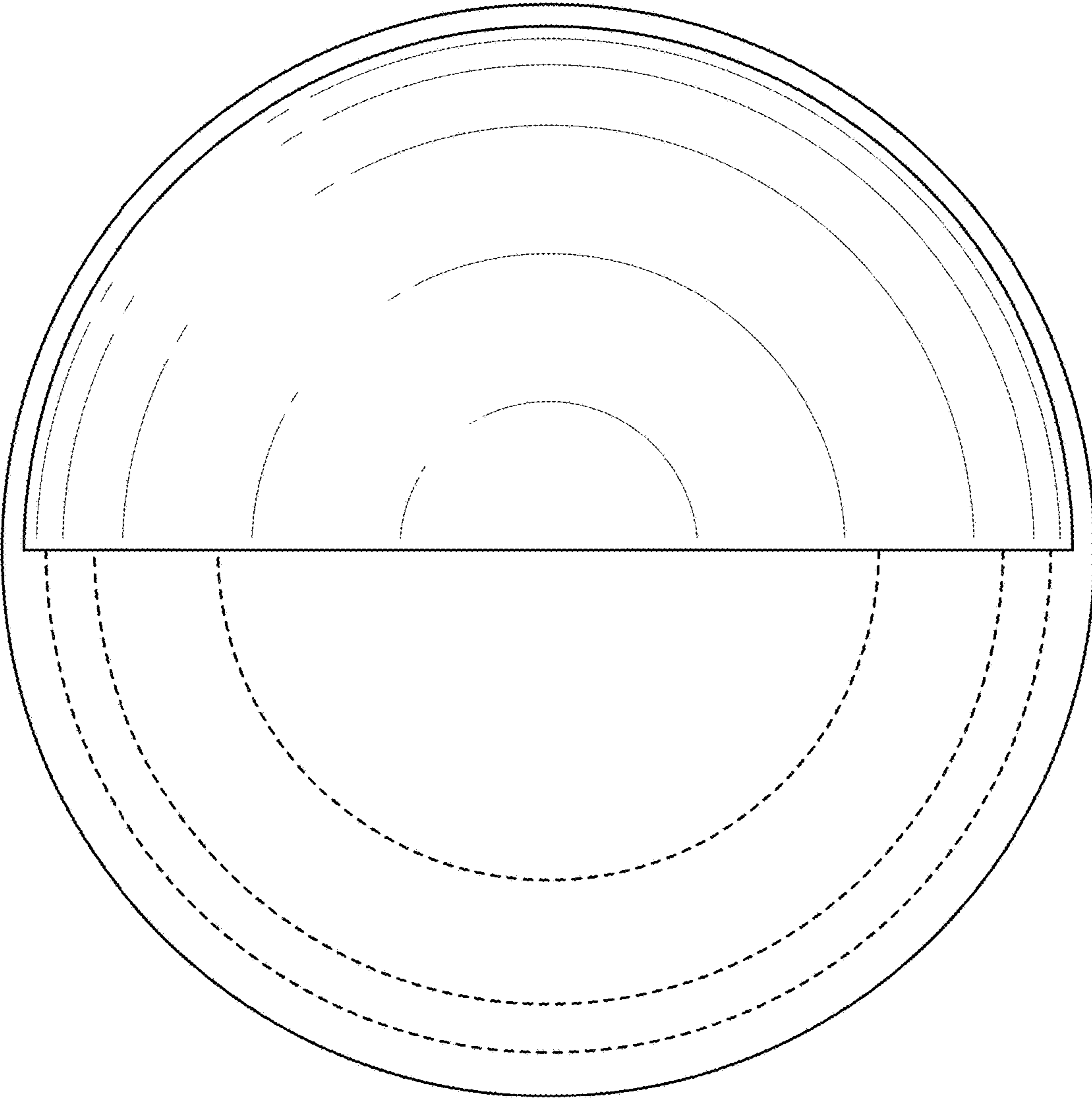


FIG. 8