



US00D869739S

(12) **United States Design Patent** (10) **Patent No.:** **US D869,739 S**
Yu et al. (45) **Date of Patent:** **** Dec. 10, 2019**

(54) **LAMPSHADE** D484,631 S * 12/2003 Chen D26/67
D497,023 S * 10/2004 Burkart E04H 17/20
(71) Applicant: **NINGBO WELL ELECTRIC** D500,382 S * 12/2004 Phillips D26/92
APPLANCE CO., LTD., Ningbo (CN) D513,337 S * 12/2005 Burke D26/85
D569,032 S * 5/2008 Myer D26/118
(72) Inventors: **Guolin Yu, Ningbo (CN); Xiaofeng** D604,439 S * 11/2009 Chen D26/67
Zhu, Ningbo (CN) D604,440 S * 11/2009 Chen D26/67
D615,239 S * 5/2010 Rashidi D26/118
(73) Assignee: **NINGBO WELL ELECTRIC** D621,089 S * 8/2010 Rashidi D26/118
APPLIANCE CO., LTD., Ningbo D690,875 S * 10/2013 McKenzie D26/118
(CN) D694,932 S * 12/2013 Meyer D26/67
D707,877 S * 6/2014 Turner D26/118
D717,487 S * 11/2014 Guzzini D26/118
(**) Term: **15 Years** D728,841 S * 5/2015 Kuhnke D26/67
D822,866 S * 7/2018 Chen D26/67
(21) Appl. No.: **29/665,081** 2010/0254134 A1 * 10/2010 McCanless F21S 8/088
362/235

(22) Filed: **Sep. 29, 2018**

(30) **Foreign Application Priority Data**

Sep. 17, 2018 (CN) 2018 3 0522296

(51) **LOC (12) Cl.** **26-05**

(52) **U.S. Cl.**
USPC **D26/118**

(58) **Field of Classification Search**
USPC D26/24, 5, 36, 63, 65, 67, 72, 85, 113,
D26/118, 119, 120, 123, 124, 128;
362/317, 335, 355, 362
CPC F21V 15/01; F21V 15/02; F21V 15/012;
F21V 1/00; F21V 1/12; F21V 1/14; F21V
1/143; F21V 3/00; F21V 3/02; F21V
3/049; F21V 3/061; F21V 21/00; F21V
21/14; F21V 21/16; F21V 21/34; F21V
21/088; F21V 17/00; F21V 17/04; F21S
6/005

See application file for complete search history.

(56) **References Cited**

U.S. PATENT DOCUMENTS

D44,606 S * 9/1913 Dawley D26/36
D424,737 S * 5/2000 Hsu D26/134

* cited by examiner

Primary Examiner — Wan Laymon
Assistant Examiner — Clint A Samuel

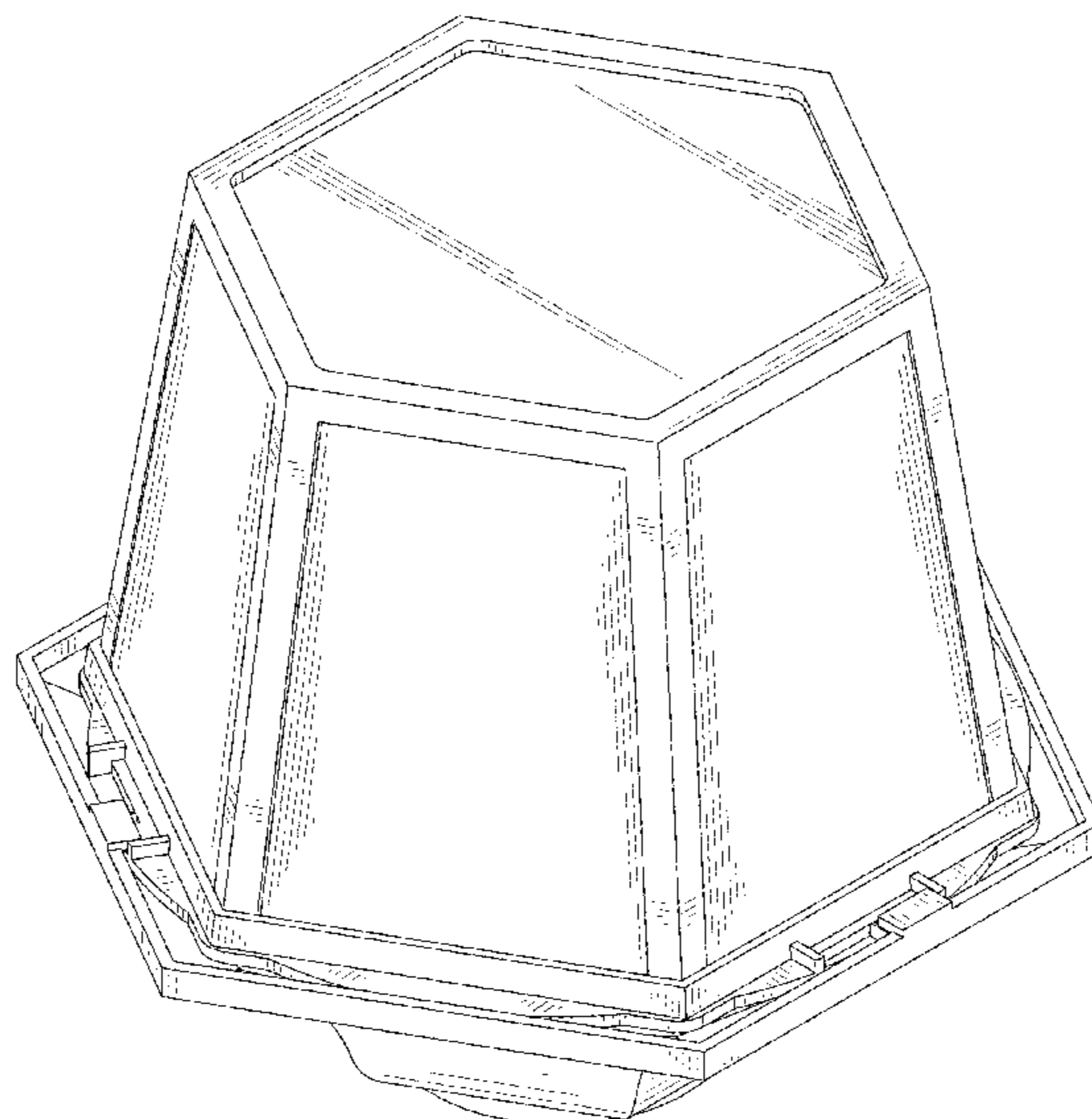
(57) **CLAIM**

The ornamental design for a lampshade, as shown and described.

DESCRIPTION

FIG. 1 is a right, front, bottom perspective view of a lampshade showing our new design;
FIG. 2 is a left, rear, top perspective view thereof;
FIG. 3 is a right side elevational view thereof;
FIG. 4 is a left side elevational view thereof;
FIG. 5 is a rear elevational view thereof;
FIG. 6 is a right side elevational view thereof;
FIG. 7 is a bottom plan view thereof; and,
FIG. 8 is a top plan view thereof.
In the drawings, the broken lines illustrate portions of the lampshade that form no part of the claimed design.

1 Claim, 8 Drawing Sheets



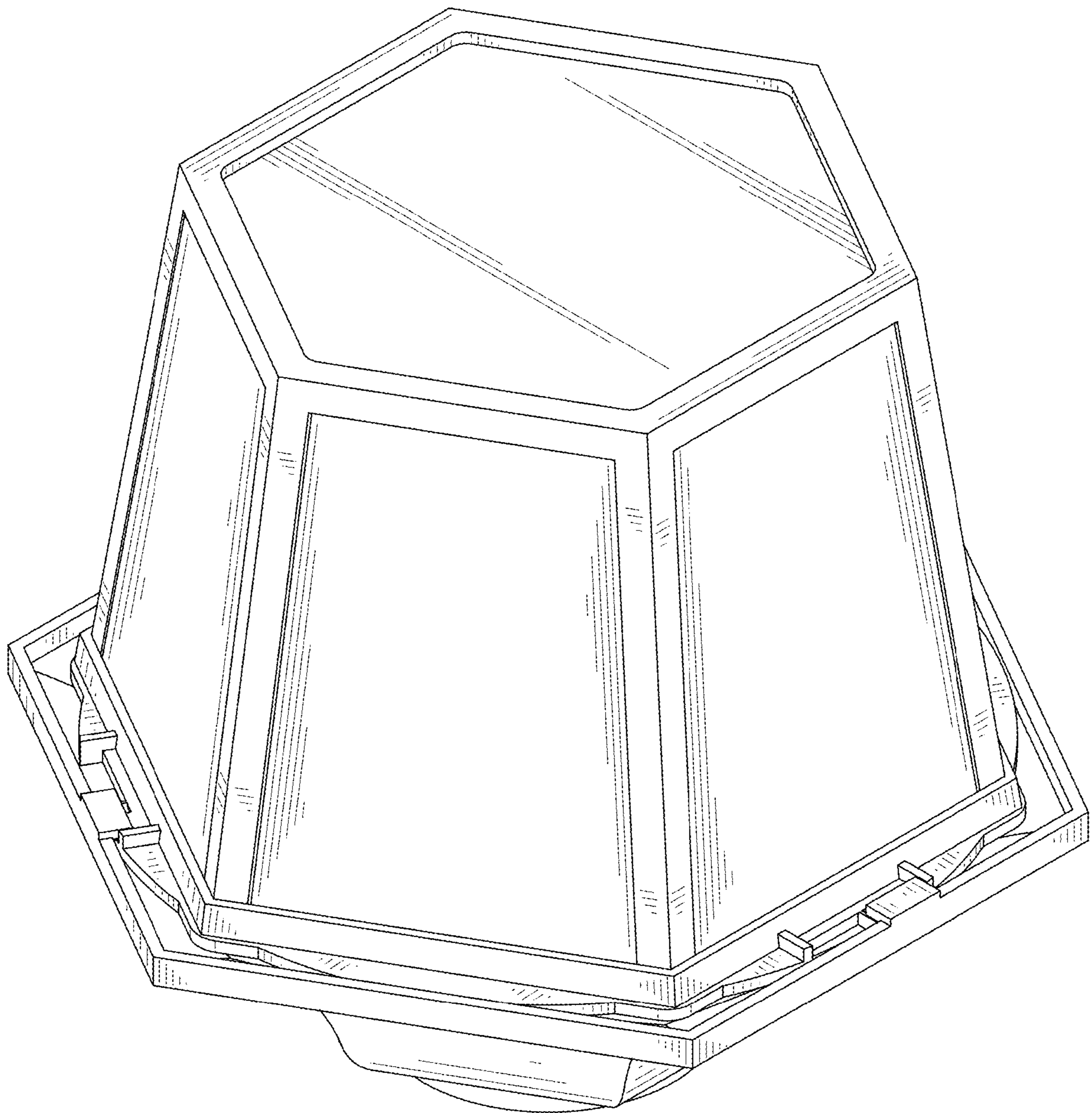


FIG. 1

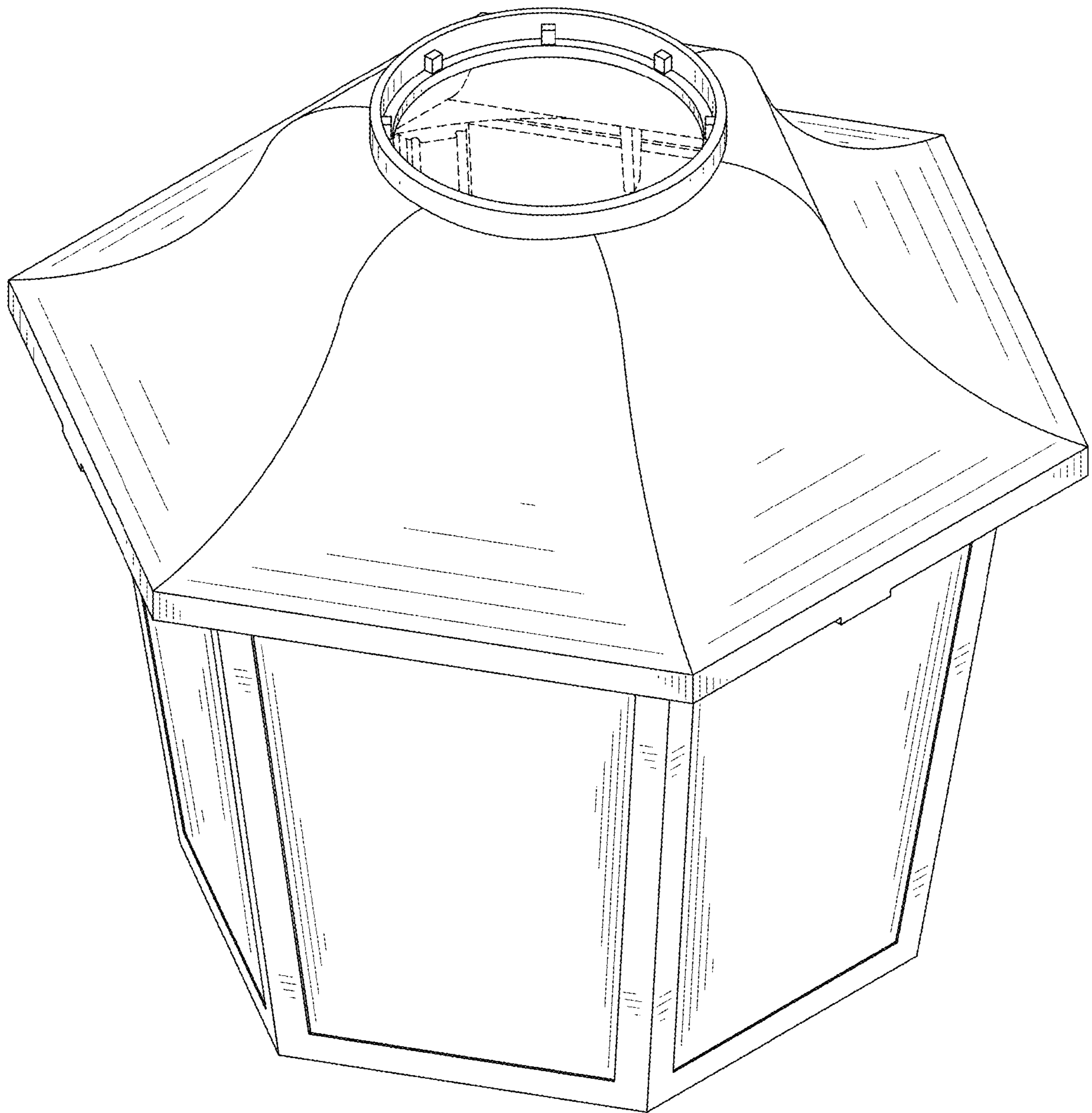


FIG. 2

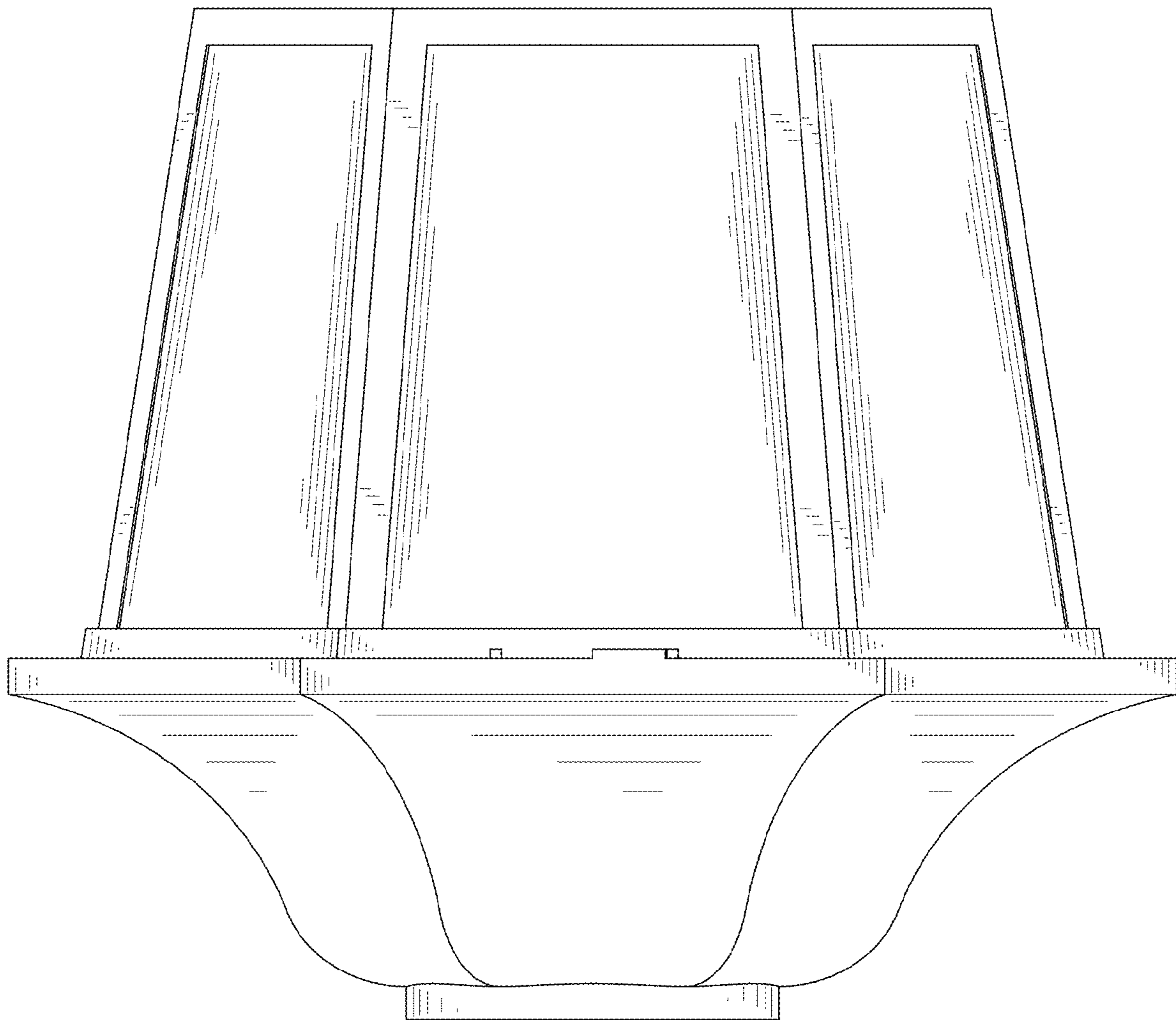


FIG. 3

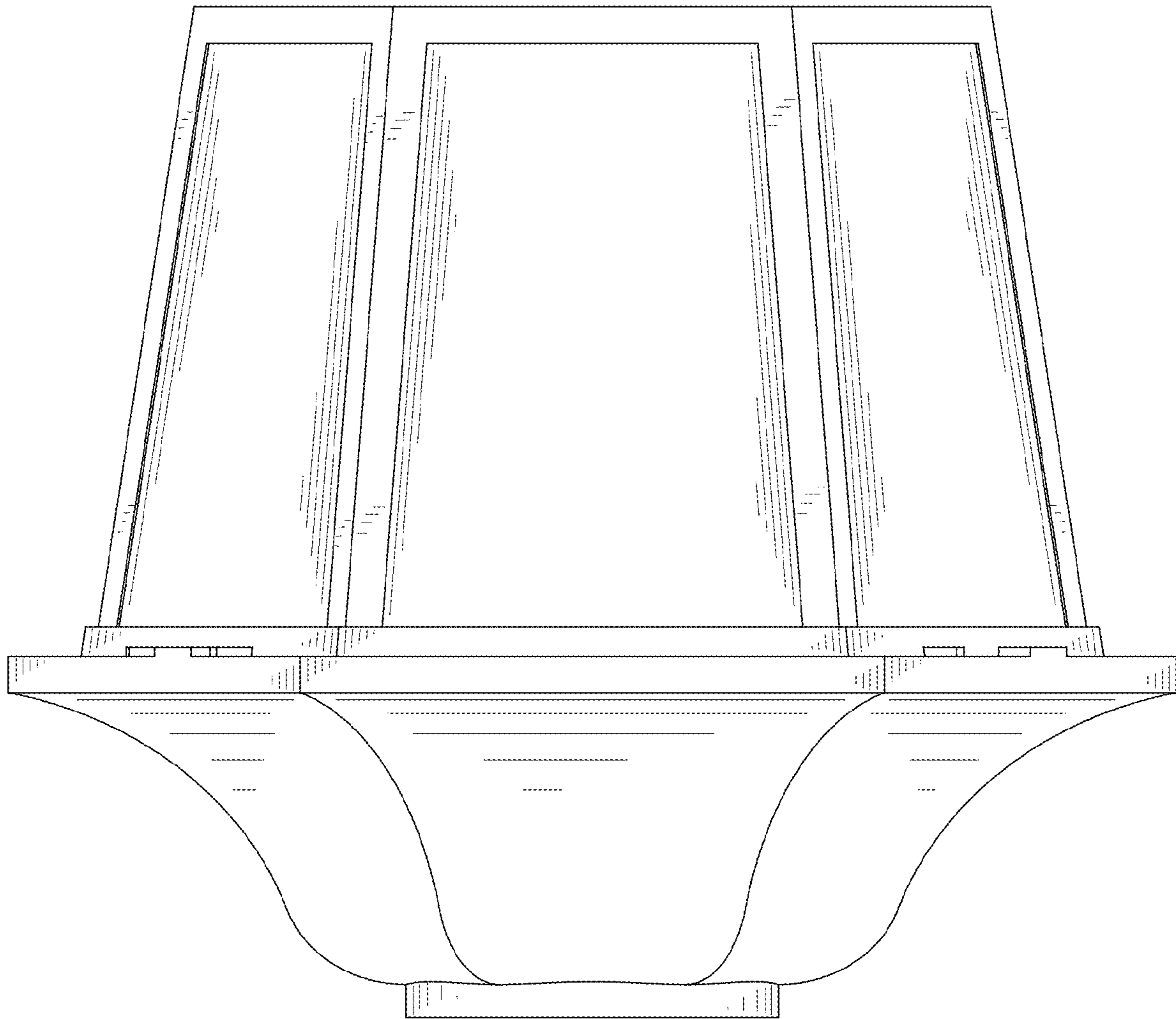


FIG. 4

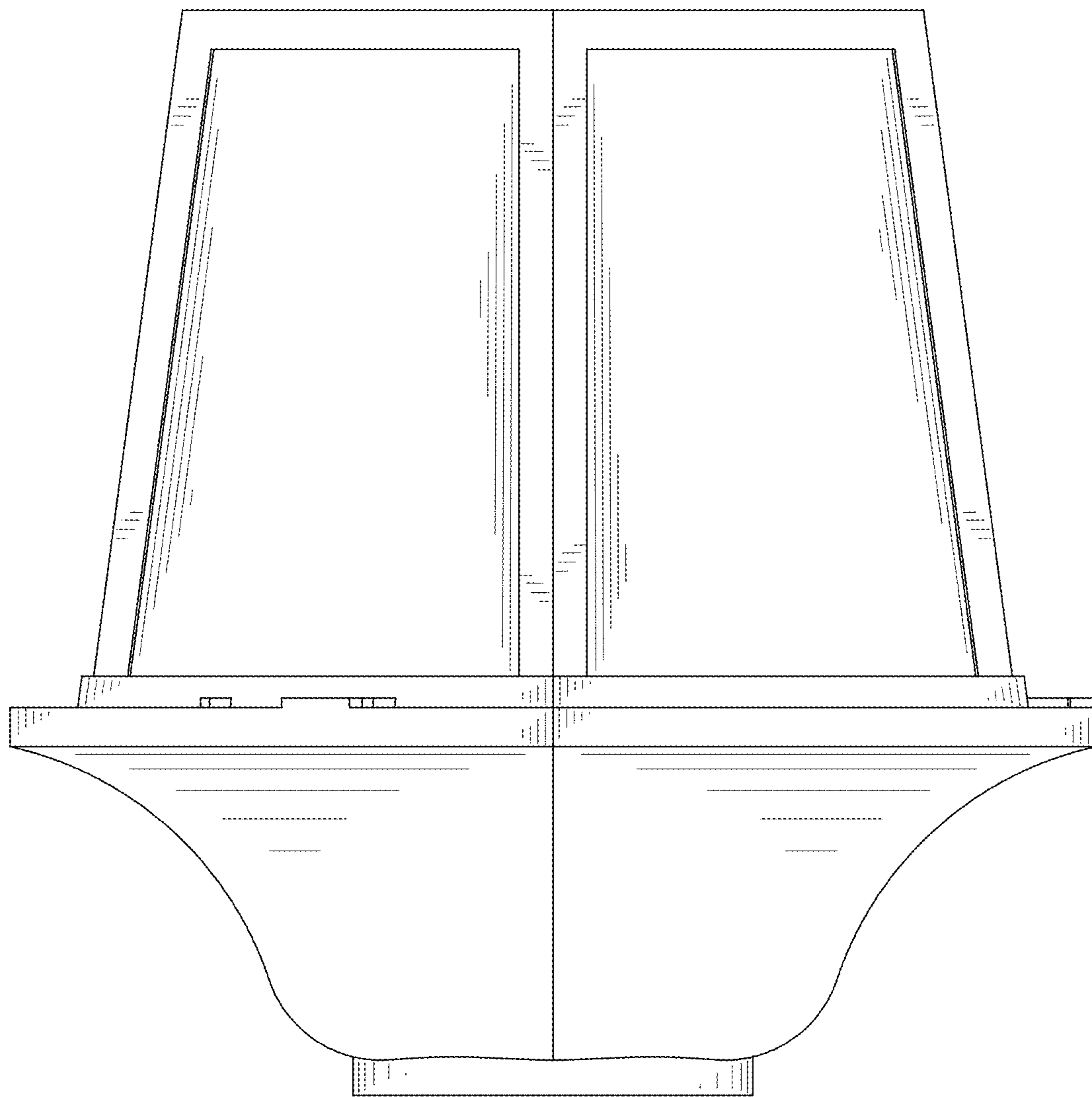


FIG. 5

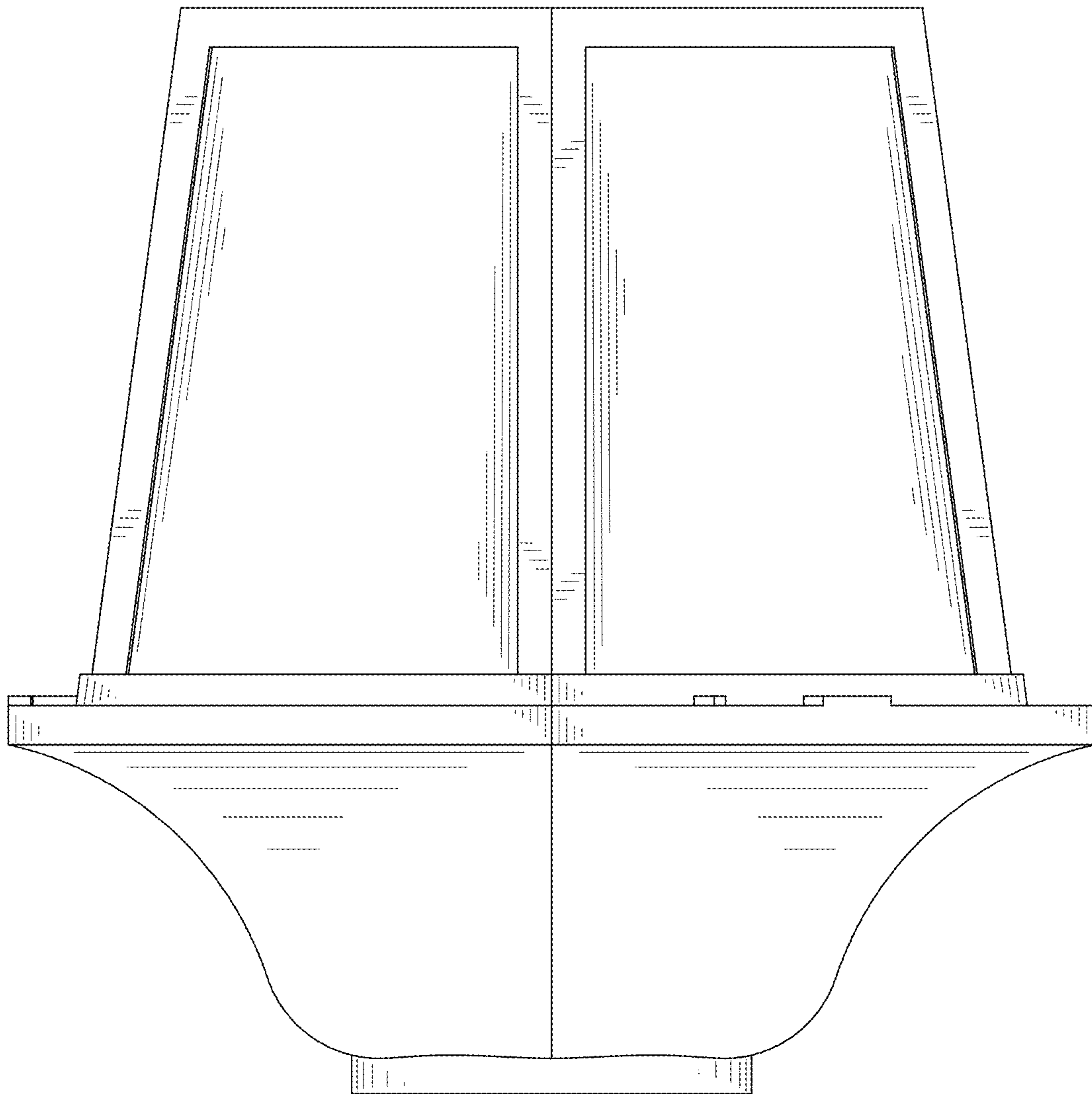


FIG. 6

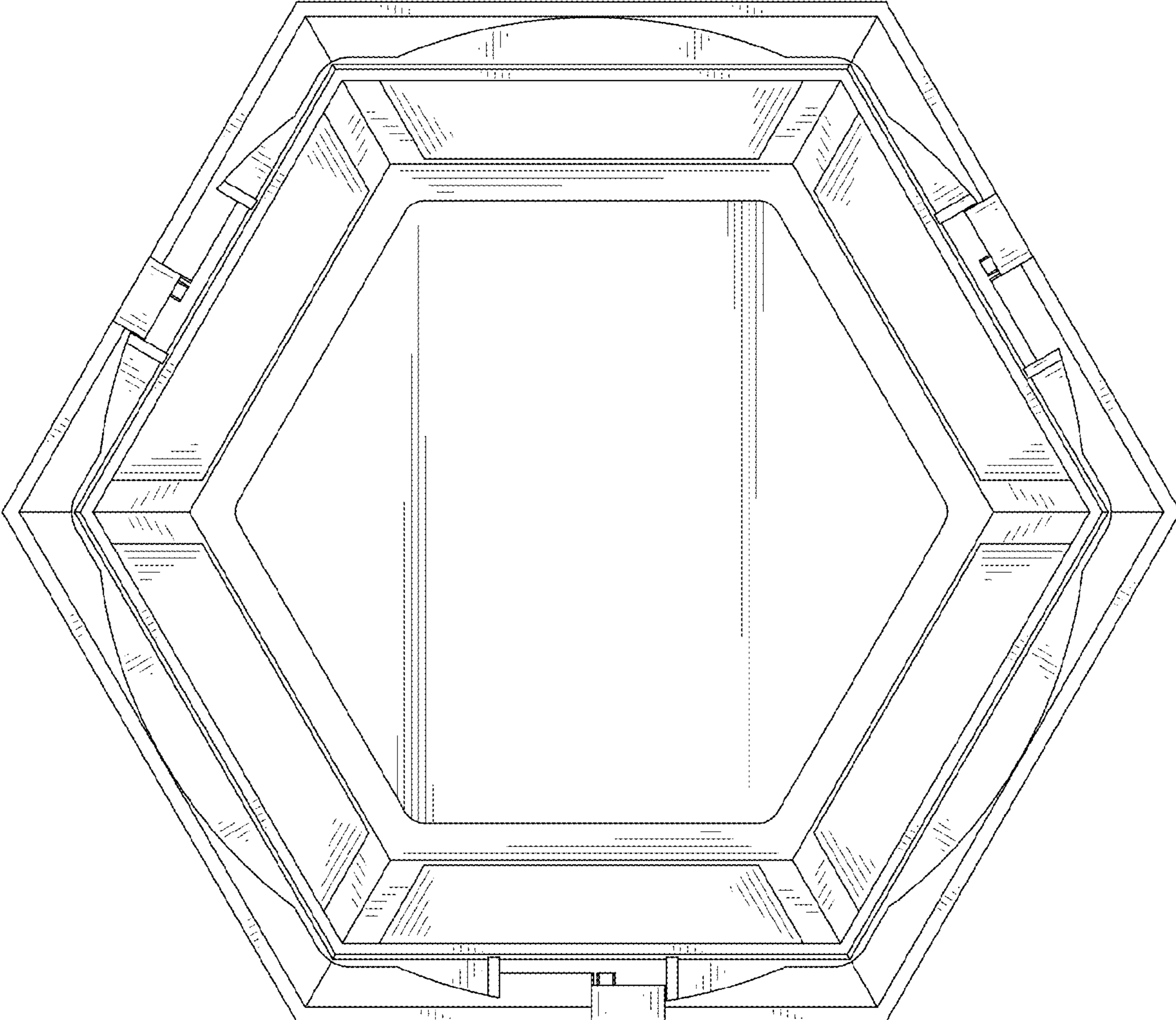


FIG. 7

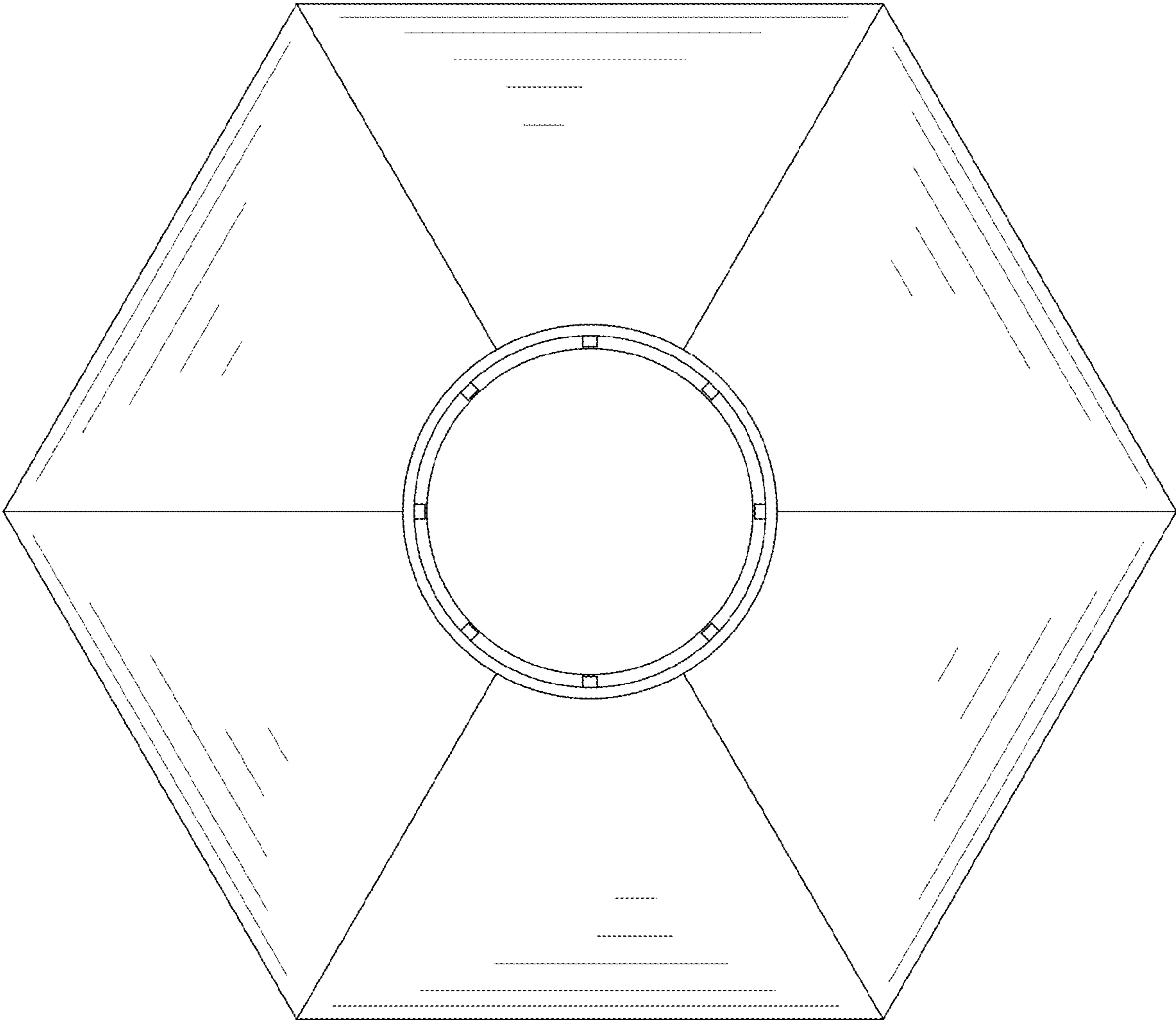


FIG. 8