



US00D869736S

(12) **United States Design Patent**  
**Babutzka**

(10) **Patent No.:** **US D869,736 S**

(45) **Date of Patent:** **\*\* Dec. 10, 2019**

(54) **LIGHT FIXTURE**

(71) Applicant: **LEDVANCE GmbH**, Garching bei Munchen (DE)

(72) Inventor: **Heidrun Babutzka**, Munich (DE)

(73) Assignee: **LEDVANCE GMBH**, Garching bei Munchen (DE)

(\*\*) Term: **15 Years**

(21) Appl. No.: **29/661,487**

(22) Filed: **Aug. 28, 2018**

(30) **Foreign Application Priority Data**

Mar. 2, 2018 (DE) ..... 40 2018 100 239

(51) **LOC (12) Cl.** ..... **26-03**

(52) **U.S. Cl.**  
USPC ..... **D26/89; D26/88**

(58) **Field of Classification Search**  
USPC ..... D26/81-86, 88-91  
CPC .... F21S 8/04; F21S 8/043; F21S 8/046; F21S 8/06; F21S 8/065; F21S 8/066; F21S 8/068

See application file for complete search history.

(56) **References Cited**

**U.S. PATENT DOCUMENTS**

D45,210 S \* 2/1914 Walsh ..... F21S 8/06  
D26/84  
1,248,187 A \* 11/1917 Smith ..... F21S 8/06  
362/300  
1,305,234 A \* 5/1919 Pierce ..... F21S 8/06  
362/300  
D60,310 S \* 2/1922 Blackwell ..... F21S 8/06  
D26/88

D60,311 S \* 2/1922 Blackwell ..... D26/89  
D61,360 S \* 8/1922 Blackwell ..... D26/88  
D84,930 S \* 8/1931 Glatthar ..... D26/86  
D89,091 S \* 1/1933 Owen ..... D26/88  
1,962,069 A \* 6/1934 Guth ..... F21S 8/06  
362/343  
1,982,204 A \* 11/1934 Doane ..... F21S 8/06  
362/307  
D97,934 S \* 12/1935 Guth ..... D26/88  
D112,843 S \* 1/1939 Manning ..... F21S 8/06  
D26/86  
D841,868 S \* 2/2019 Xu ..... F21S 8/06  
D26/89

**OTHER PUBLICATIONS**

LED—Ginger Pendant by Joan Gaspar for Marset from lumens.com visited Sep. 27, 2019. (Year: 2019).\*

(Continued)

*Primary Examiner* — Clare E Heflin

(74) *Attorney, Agent, or Firm* — Hayes Soloway PC

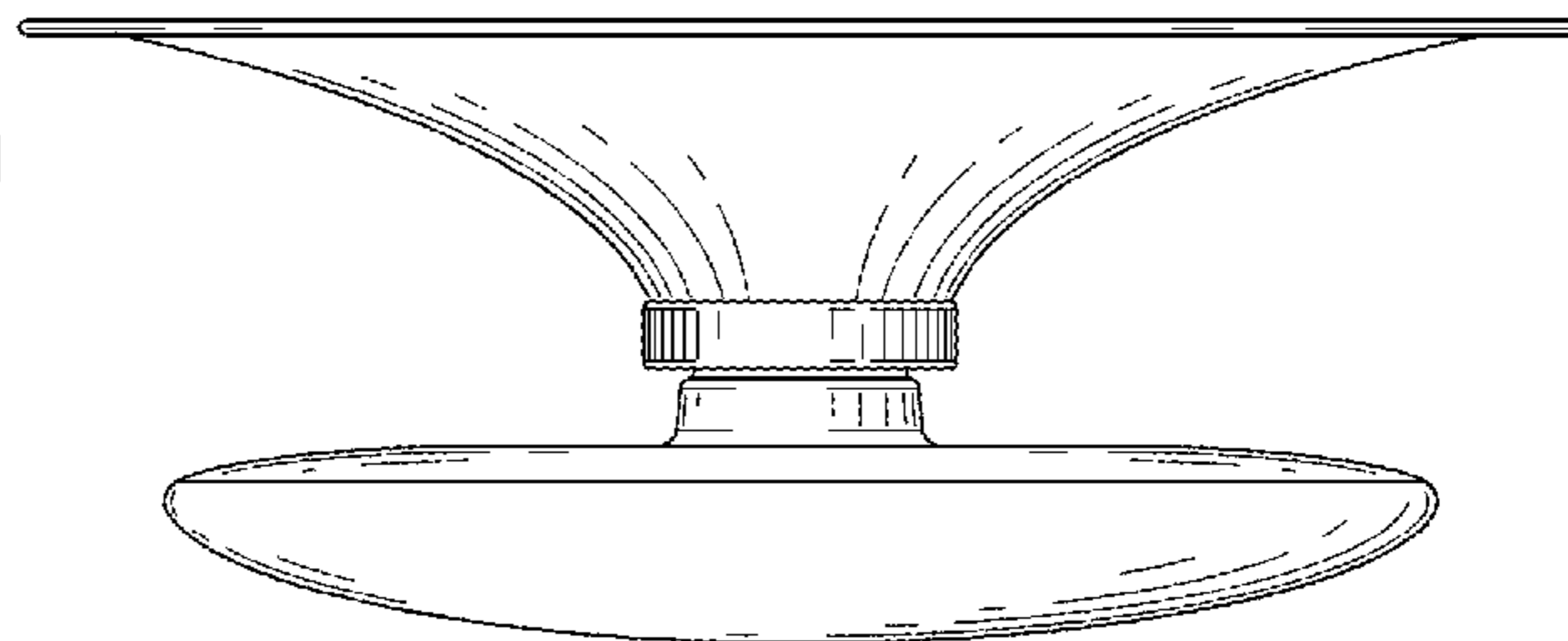
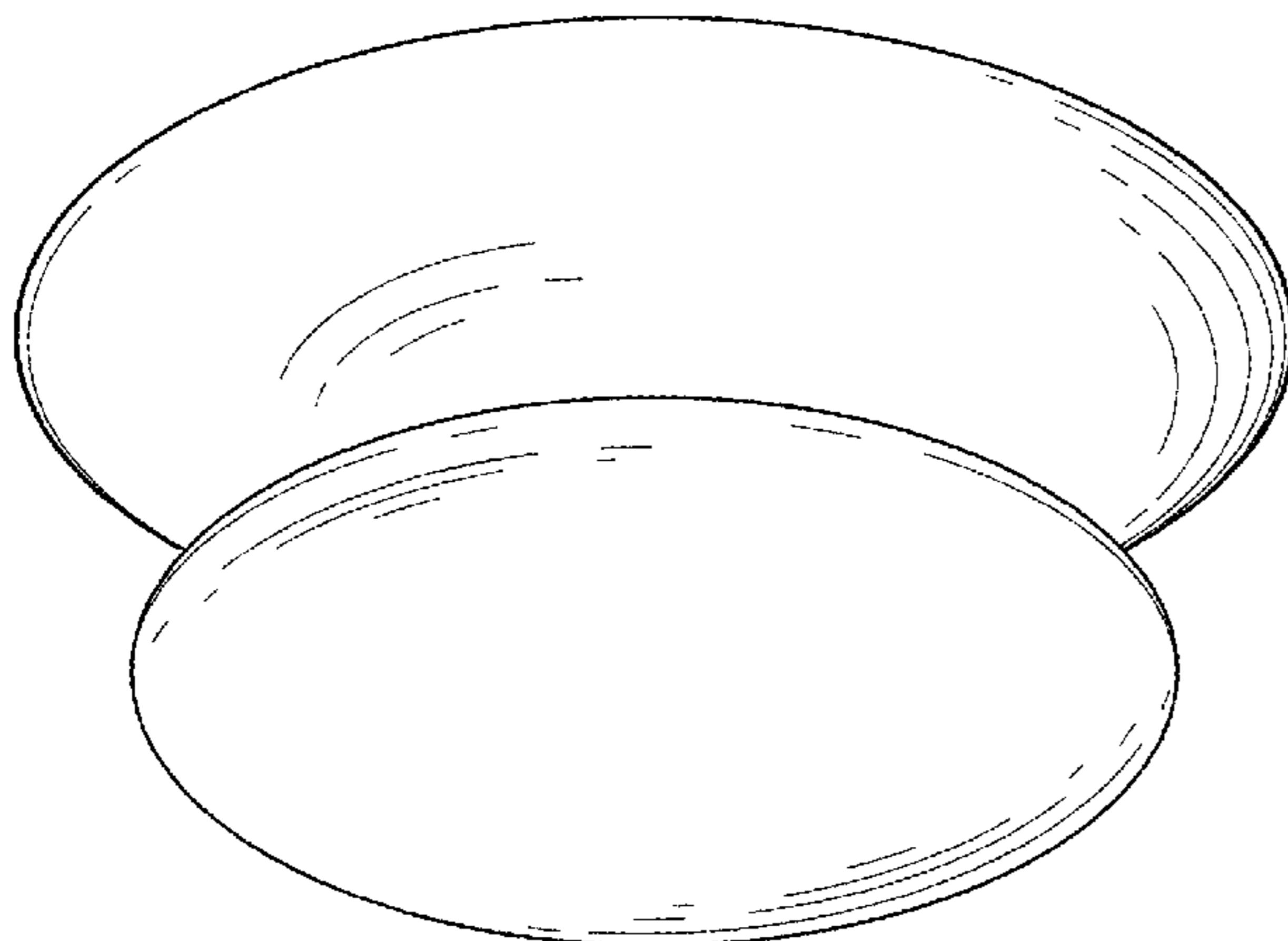
(57) **CLAIM**

I claim the ornamental design for an light fixture, as shown and described.

**DESCRIPTION**

FIG. 1 is a bottom perspective view of an light fixture showing the new design;  
FIG. 2 is a top perspective view of the light fixture thereof;  
FIG. 3 is a front elevation view of the light fixture thereof, which is identical to the left side elevation view, the right side elevation view, and the back side elevation view;  
FIG. 4 is a bottom plan view of the light fixture thereof; and,  
FIG. 5 is a top plan view of the light fixture thereof.  
The broken lines in the figures represent unclaimed portions of the light fixture and form no part of the claimed design.

**1 Claim, 5 Drawing Sheets**



(56)

**References Cited**

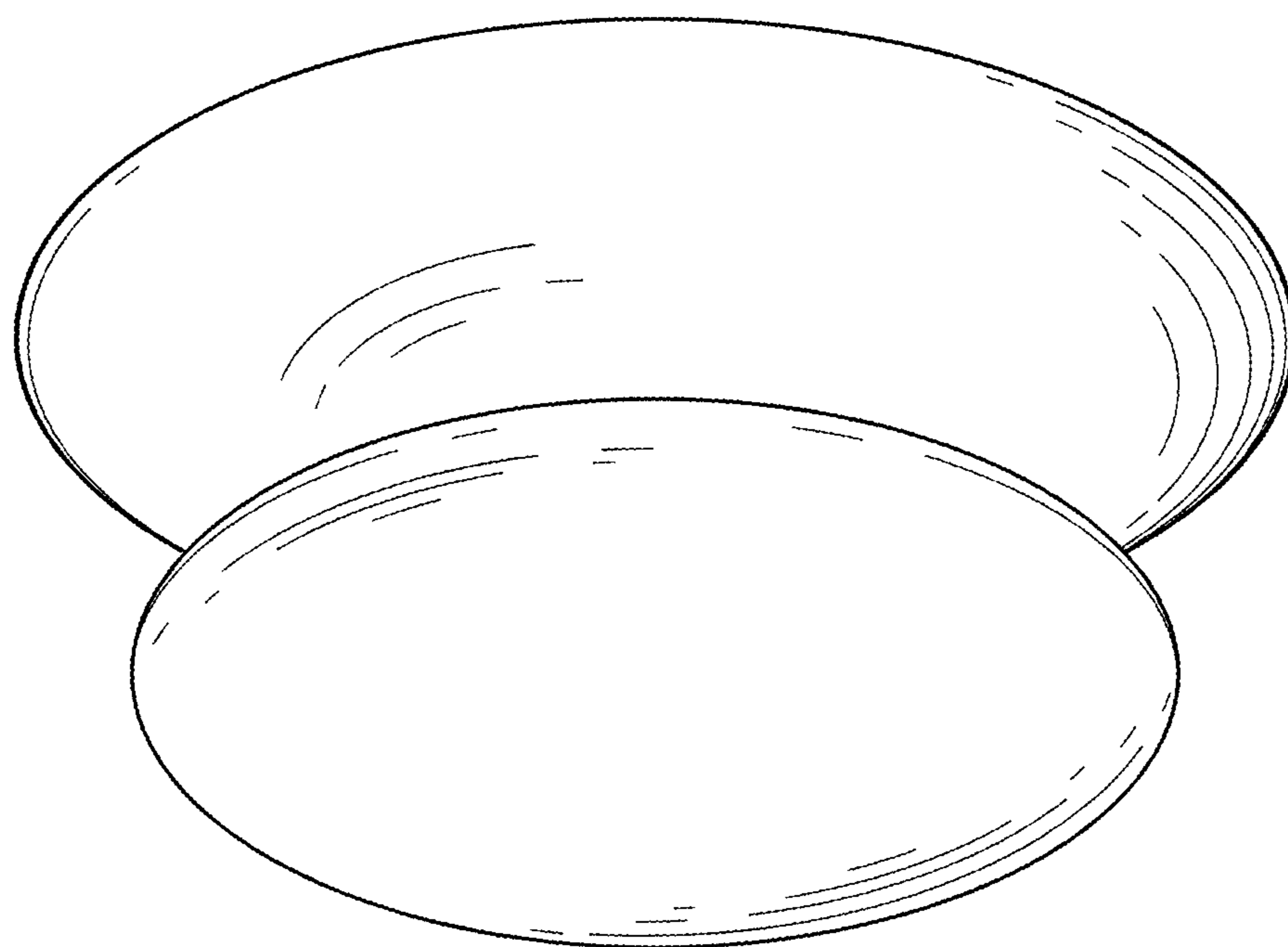
OTHER PUBLICATIONS

Axiom Pendant by Robert Abbey from lumens.com visited Sep. 27, 2019. (Year: 2019).\*

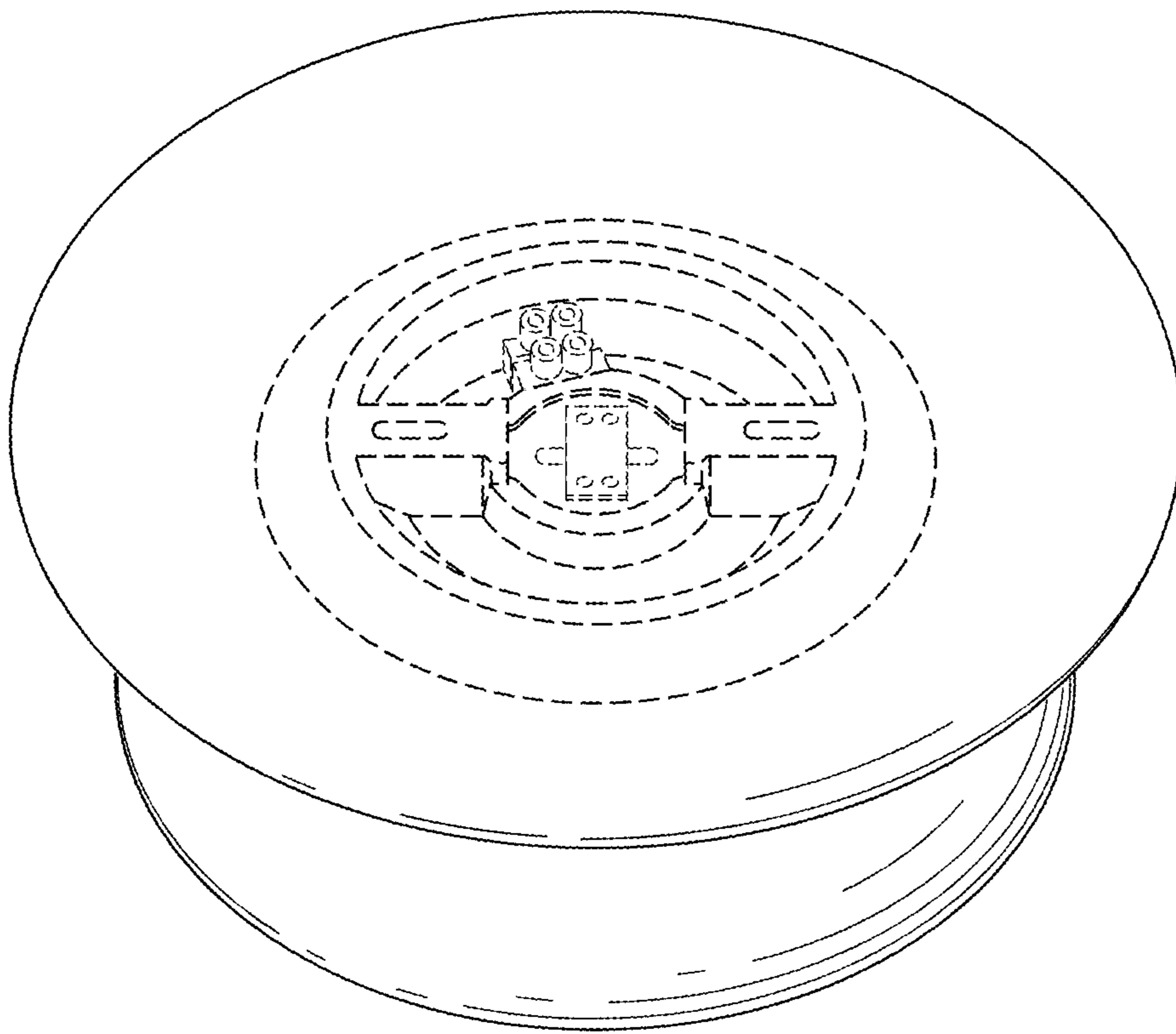
PH 4/3 Pendant by Poul Henningsen for Louis Poulsen from lumens.com visited Sep. 27, 2019. (Year: 2019).\*

Surface Mount Luminaire from SYLVANIA spec sheet © 2017 LEDVANCE, LLC. (Year: 2017).\*

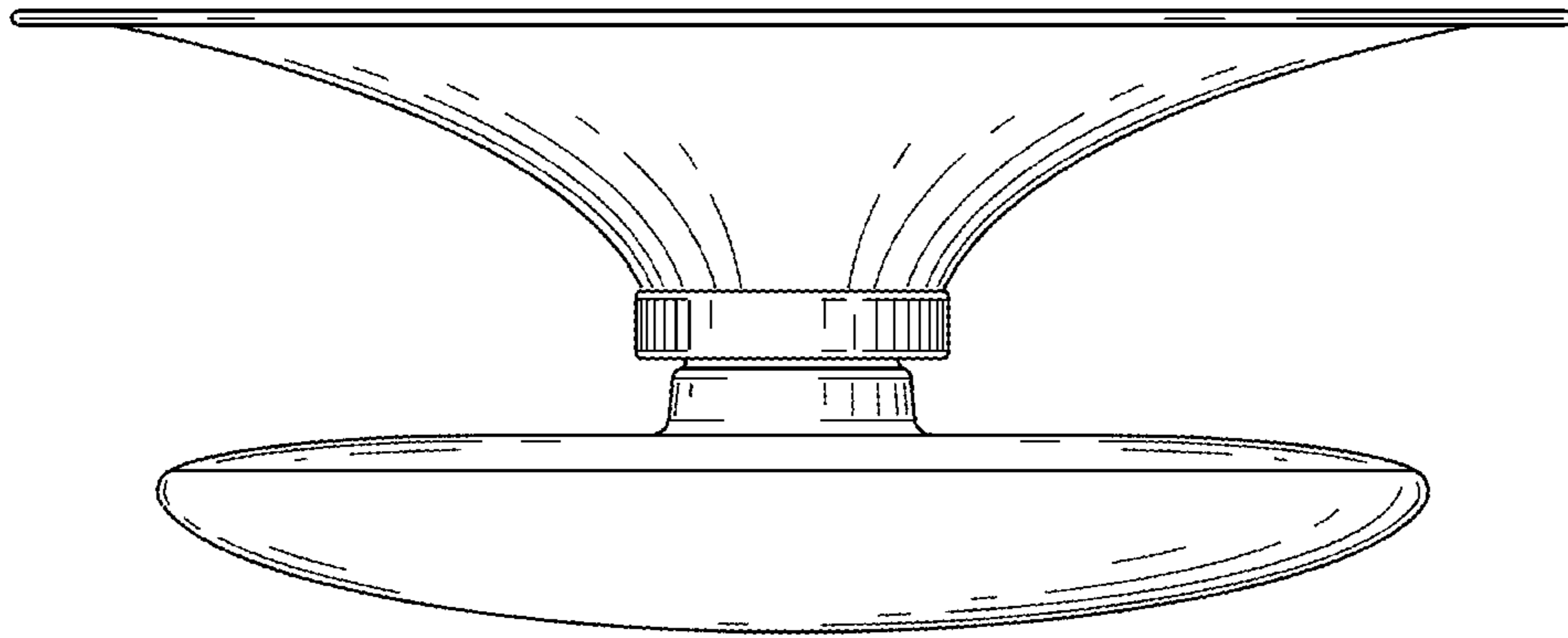
\* cited by examiner



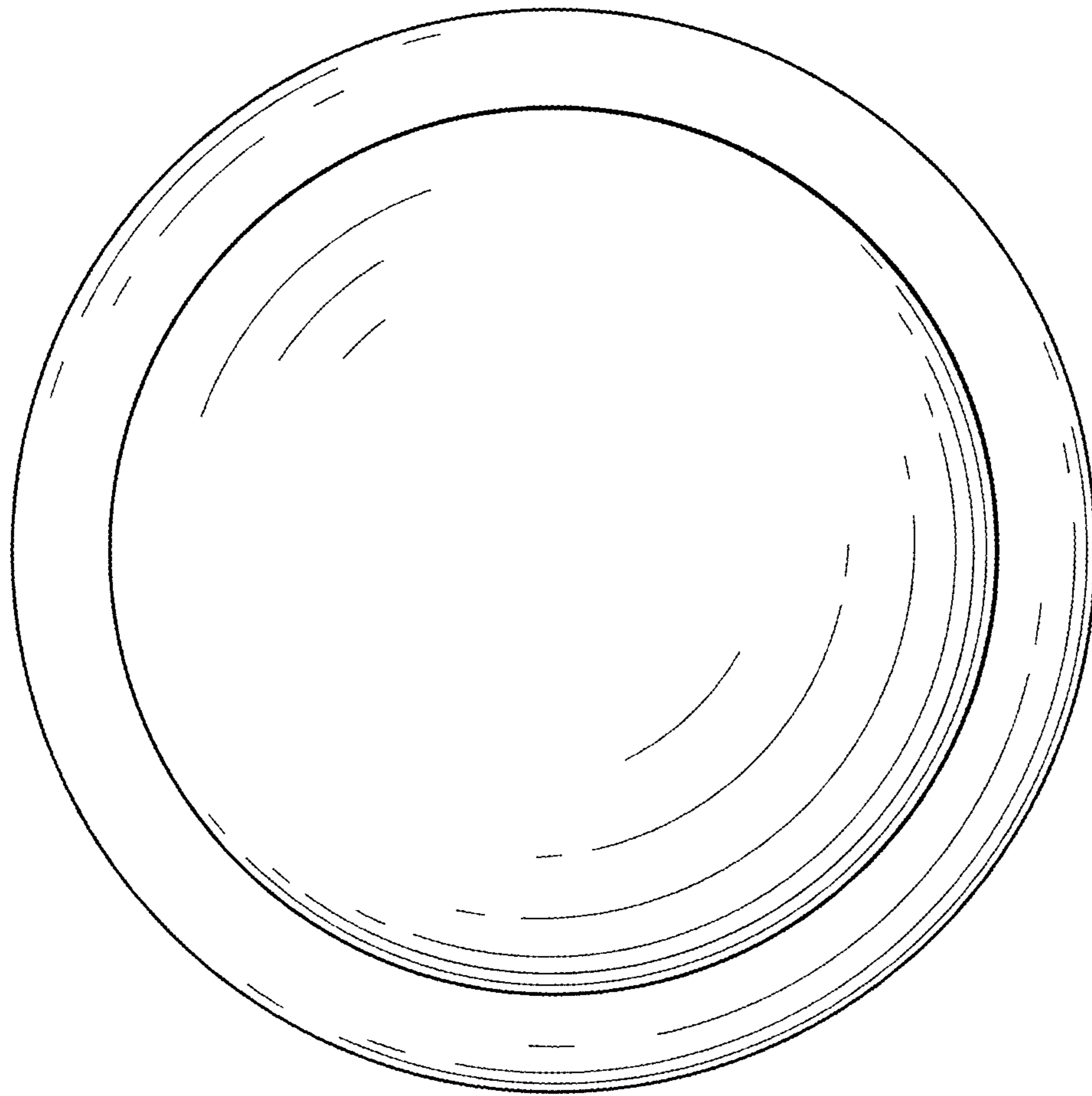
***Fig. 1***



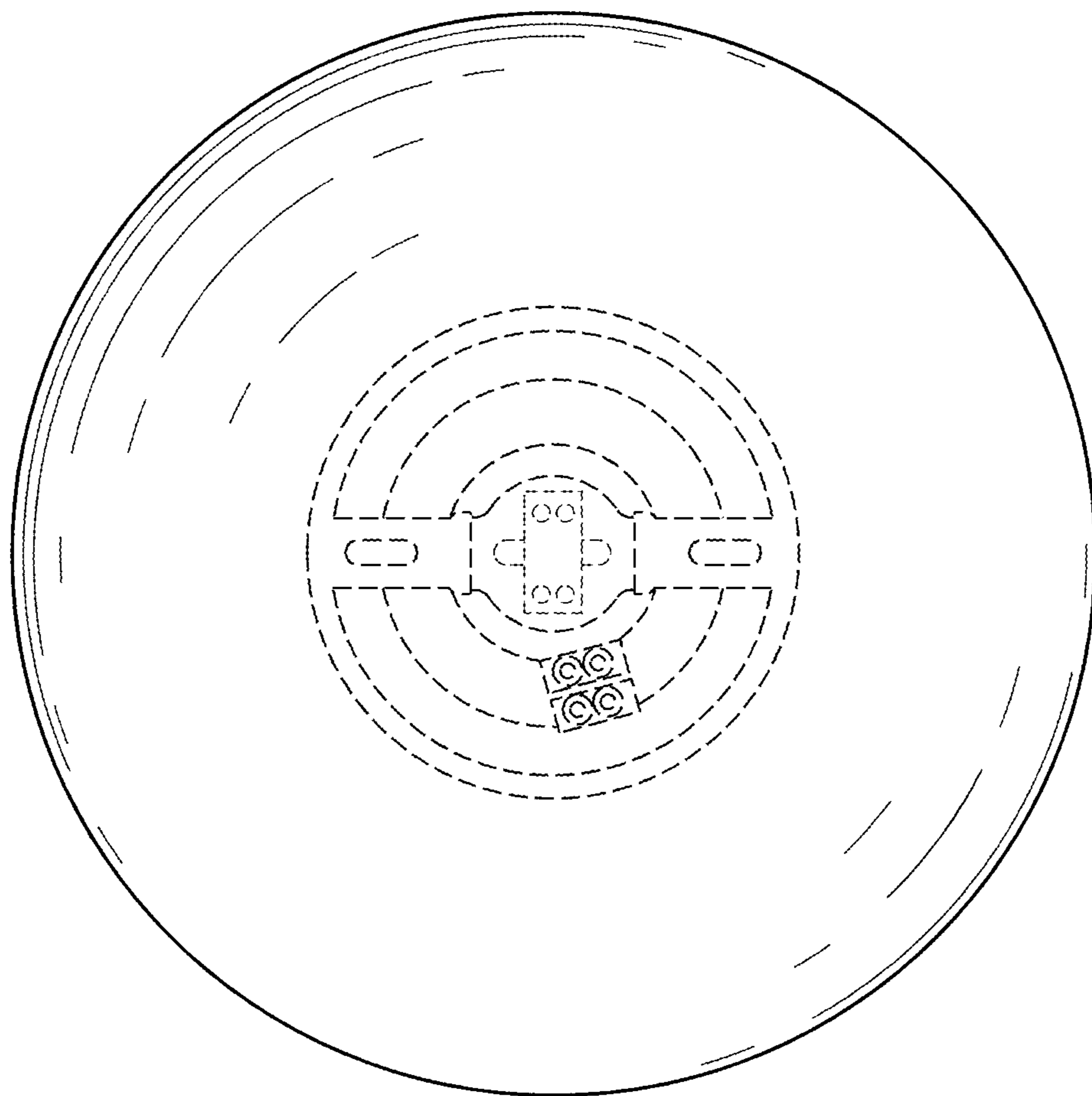
**Fig. 2**



***Fig. 3***



***Fig. 4***



**Fig. 5**