



US00D869731S

(12) **United States Design Patent**
Shundong

(10) **Patent No.:** **US D869,731 S**

(45) **Date of Patent:** **** Dec. 10, 2019**

(54) **LINEAR HIGH-BAY LIGHT**

(71) Applicant: **Above All Lighting Inc.**, Toms River,
NJ (US)

(72) Inventor: **Liu Shundong**, Shanghai (CN)

(73) Assignee: **Above All Lighting, Inc.**, Toms River,
NJ (US)

(**) Term: **15 Years**

(21) Appl. No.: **29/639,341**

(22) Filed: **Mar. 6, 2018**

(51) **LOC (12) Cl.** **26-05**

(52) **U.S. Cl.**
USPC **D26/85**; D26/76

(58) **Field of Classification Search**
USPC D26/24, 72, 76, 80–83, 85–89, 120–124
CPC F21S 8/03; F21S 8/04; F21S 8/06; F21S
8/061; F21S 8/063; F21S 8/081; F21S
8/085; F21S 8/086

See application file for complete search history.

(56) **References Cited**

U.S. PATENT DOCUMENTS

| | | | | |
|-------------------|---------|-----------|-------|-----------------------|
| D349,358 S * | 8/1994 | Herst | | D26/76 |
| D496,750 S * | 9/2004 | Waldmann | | D26/78 |
| D562,487 S * | 2/2008 | Romo | | D26/67 |
| 7,686,469 B2 * | 3/2010 | Ruud | | F21S 2/005 362/101 |
| D674,950 S * | 1/2013 | Lueken | | D26/71 |
| D682,452 S * | 5/2013 | Henderson | | D26/71 |
| D765,299 S * | 8/2016 | Ladnier | | D26/76 |
| D800,367 S * | 10/2017 | Ladnier | | D26/76 |
| 2010/0315813 A1 * | 12/2010 | Fugerer | | F21K 9/00 362/235 |

| | | | | |
|-------------------|---------|---------|-------|-----------------------|
| 2011/0063832 A1 * | 3/2011 | Hu | | F21V 29/74 362/235 |
| 2016/0208998 A1 * | 7/2016 | Greinke | | F21S 8/061 |
| 2017/0307149 A1 * | 10/2017 | Clark | | F21V 29/76 |

* cited by examiner

Primary Examiner — Cathron C Brooks

(74) *Attorney, Agent, or Firm* — McCarter & English,
LLP

(57) **CLAIM**

The ornamental design for a linear high-bay light, as shown
and described.

DESCRIPTION

FIG. 1 is a first perspective view of a linear high-bay light
showing the top, the front, and the right side;

FIG. 2 is a second perspective view of the linear high-bay
light of FIG. 1 showing the bottom, the front, and the right
side;

FIG. 3 is a top plan view of the linear high-bay light of FIG.
1;

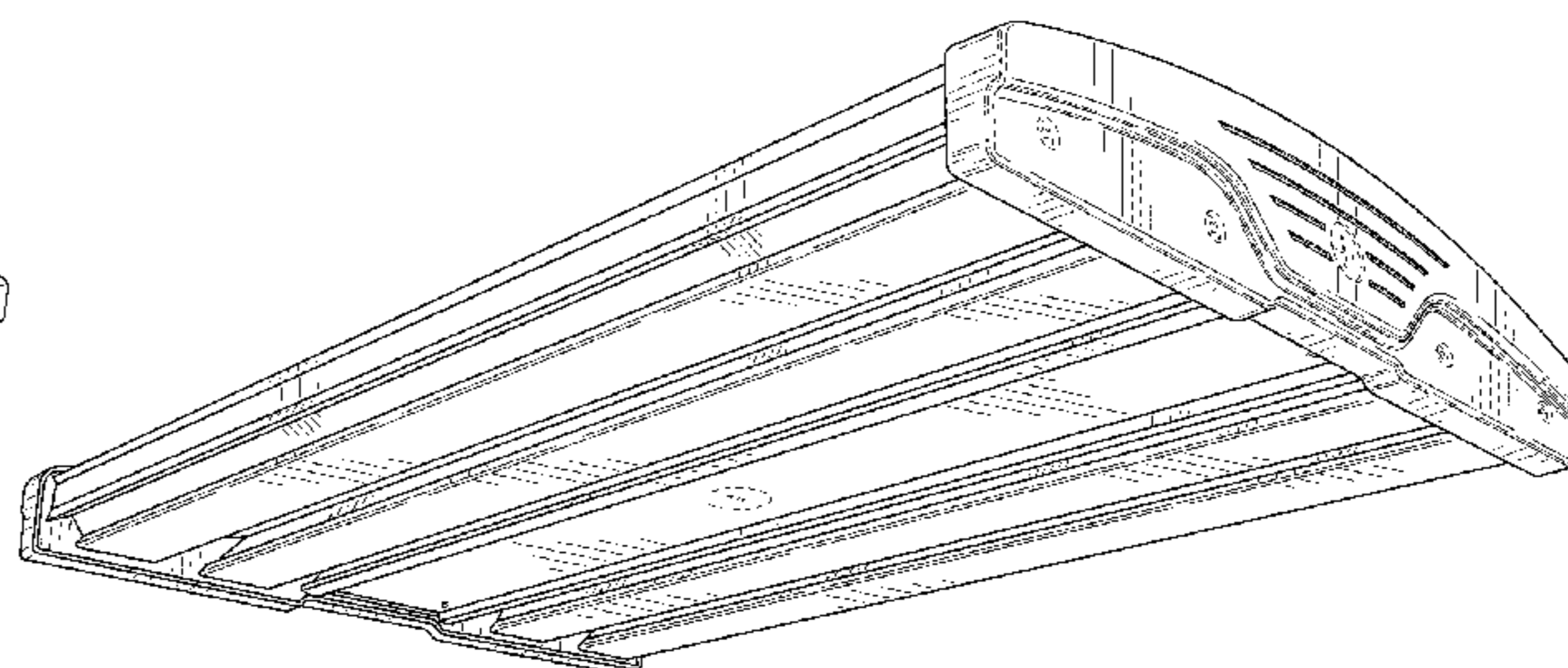
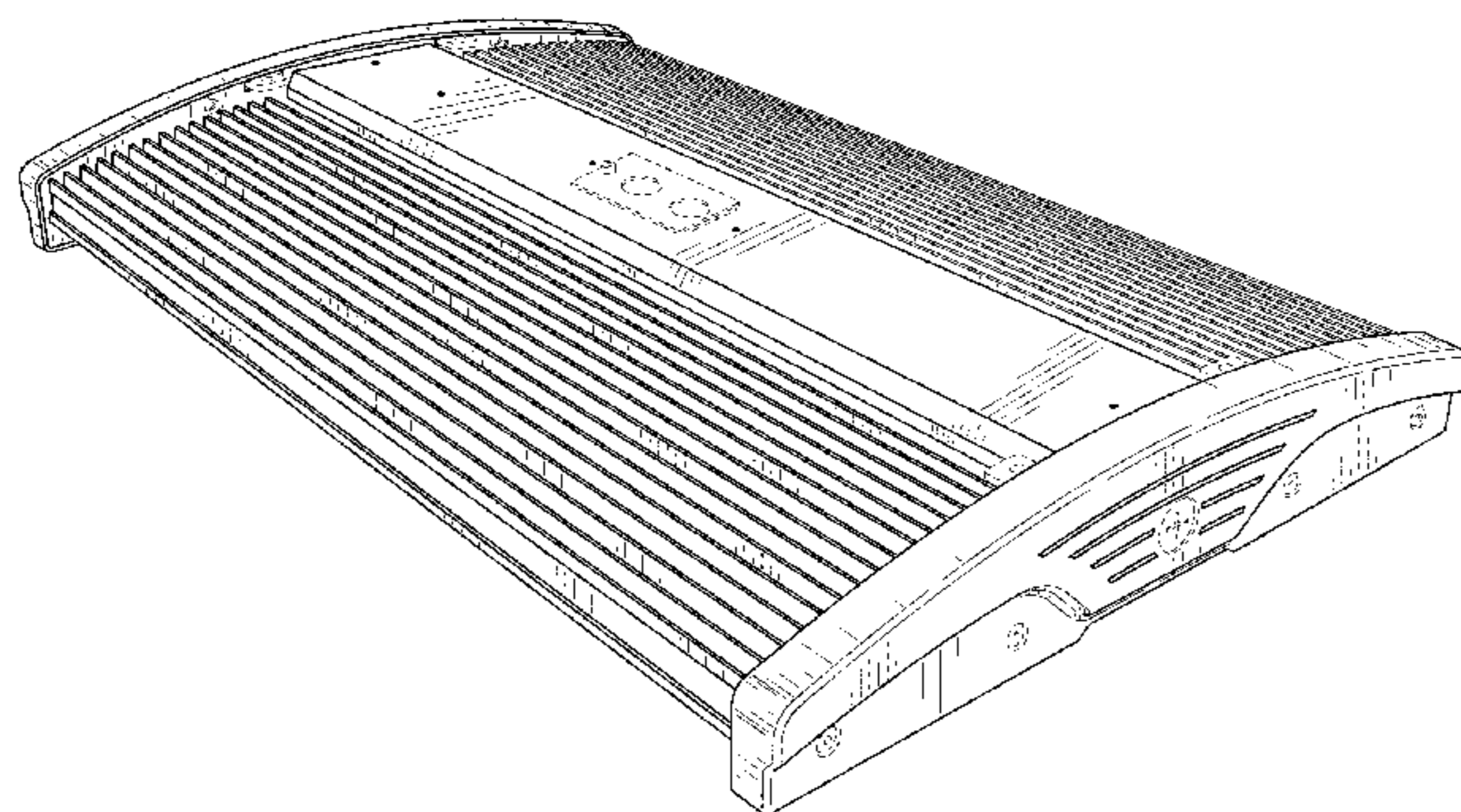
FIG. 4 is a bottom plan view of the linear high-bay light of
FIG. 1;

FIG. 5 is a front elevational view of the linear high-bay light
of FIG. 1, a rear elevational view of the linear high-bay light
of FIG. 1 being a mirror image of the front elevational view;
and,

FIG. 6 is a right side elevational view of the linear high-bay
light of FIG. 1, a left side elevational view of the linear
high-bay light of FIG. 1 being a mirror image of the right
side elevational view.

In the drawings, the broken (phantom) lines depict
unclaimed subject matter only and form no part of the
claimed design.

1 Claim, 5 Drawing Sheets



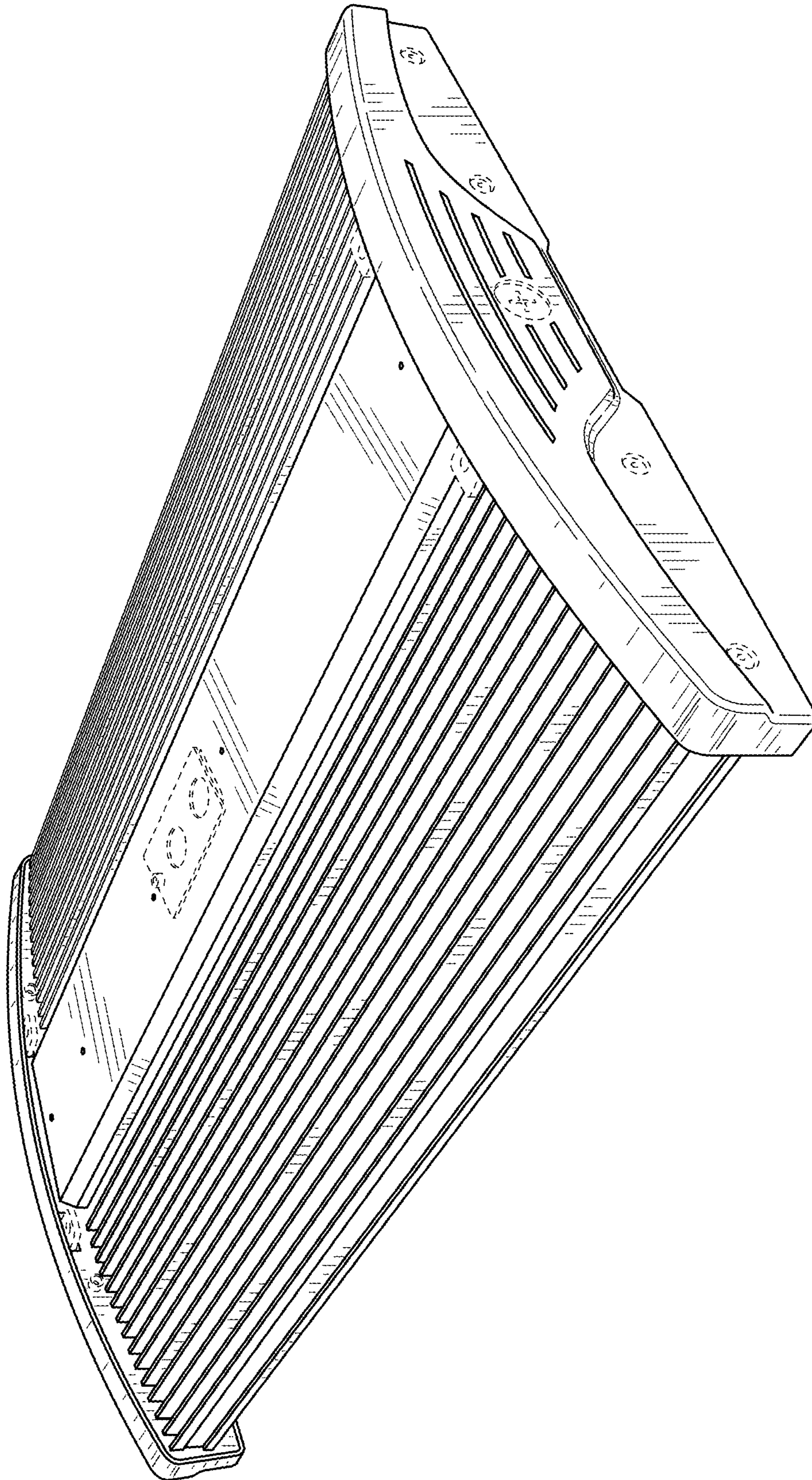


FIG. 1

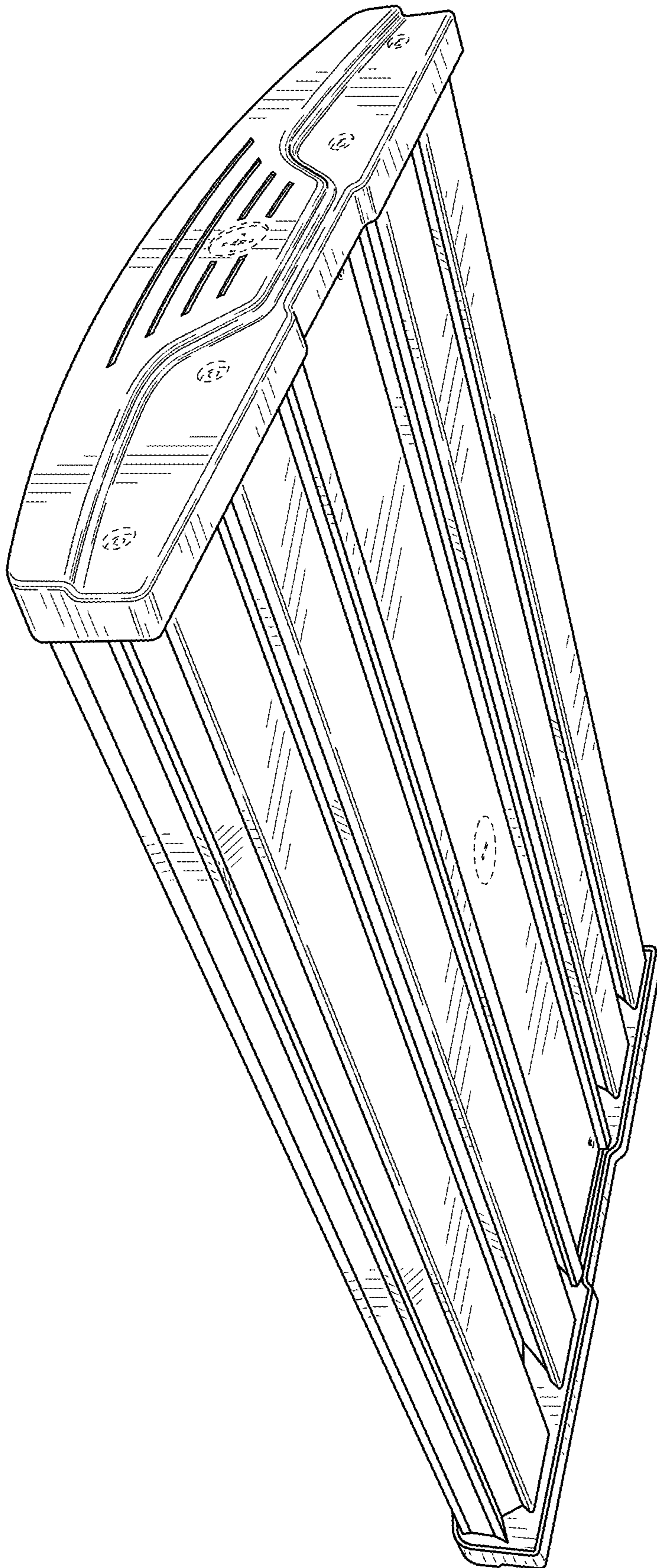


FIG. 2

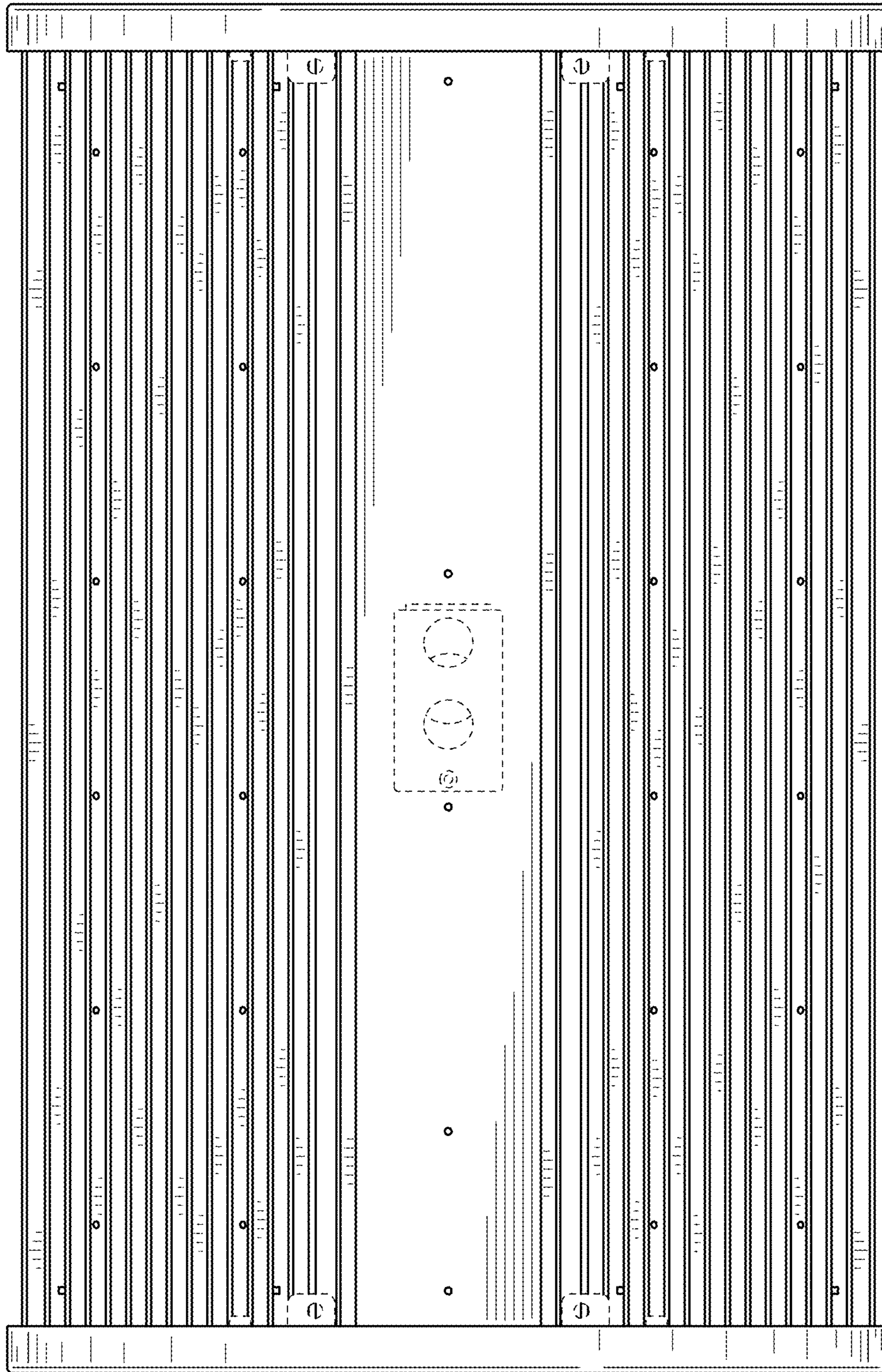


FIG. 3

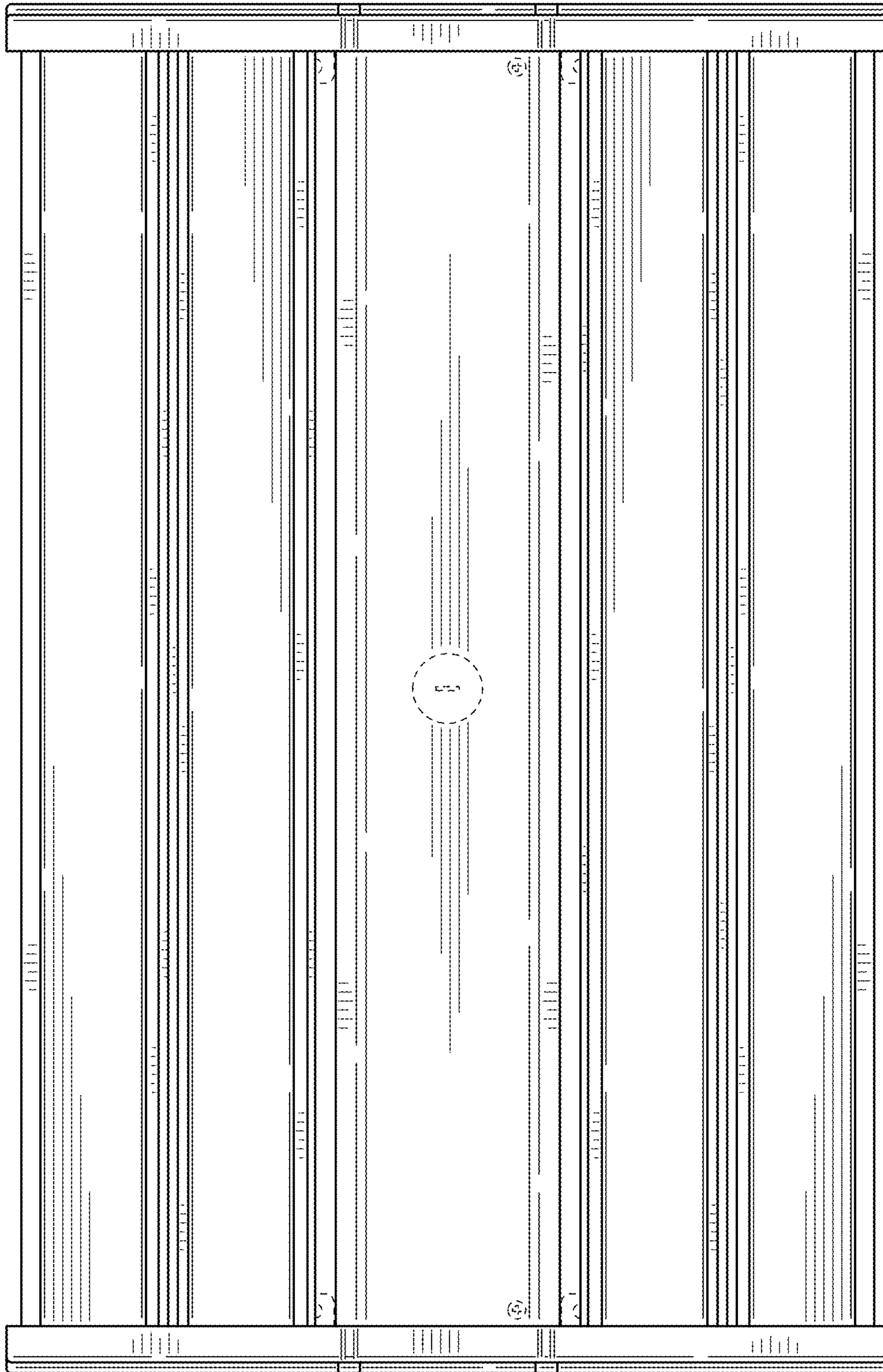


FIG. 4

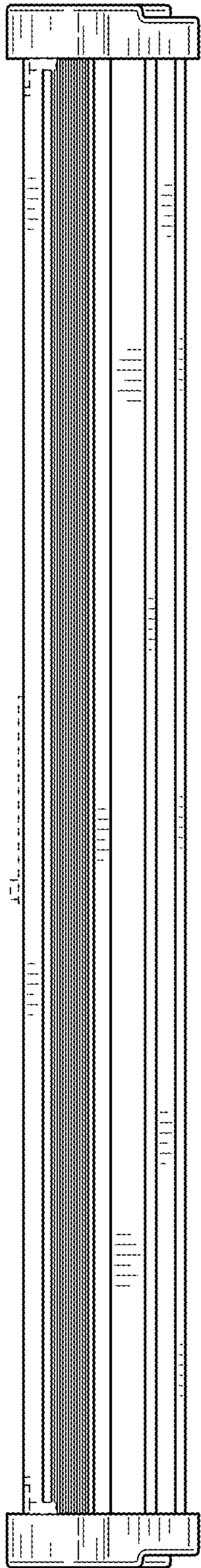


FIG. 5

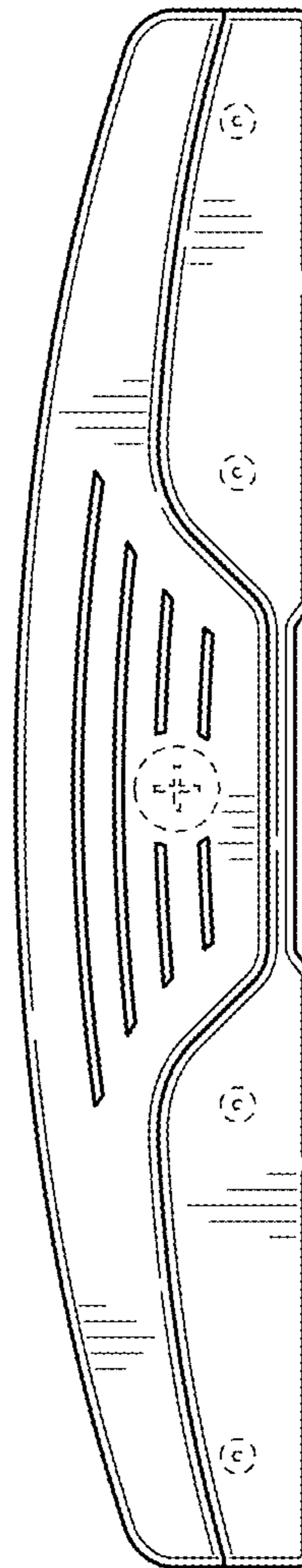


FIG. 6