



US00D869729S

(12) **United States Design Patent**
Gruendl et al.

(10) **Patent No.:** **US D869,729 S**

(45) **Date of Patent:** **** Dec. 10, 2019**

(54) **LUMINAIRE**

(71) Applicant: **ZUMTOBEL LIGHTING GMBH,**
Lemgo (DE)

(72) Inventors: **Harald Gruendl, Vienna (AT); Martin Bergmann, Vienna (AT); Gemot Bohmann, Vienna (AT)**

(73) Assignee: **ZUMTOBEL LIGHTING GMBH,**
Lemgo (DE)

(**) Term: **15 Years**

(21) Appl. No.: **29/658,436**

(22) Filed: **Jul. 31, 2018**

(30) **Foreign Application Priority Data**

Jan. 31, 2018 (EM) 004 687 531

(51) **LOC (12) Cl.** **26-05**

(52) **U.S. Cl.**
USPC **D26/74**

(58) **Field of Classification Search**
USPC D26/74, 72, 75, 76, 77, 78, 85, 88, 89,
D26/118, 138, 141; 362/364, 365, 373,
362/145, 146, 147, 148, 150, 153, 153.1,
362/294, 296.01, 296.07, 296.08
CPC F21V 29/2262; F21V 7/06; F21V 21/044;
F21V 21/047; F21V 29/2212; F21V
29/2225; F21V 29/2256; F21V 29/225;
F21V 29/2268; F21Y 2111/002; F21S
8/02; F21S 8/026
See application file for complete search history.

(56) **References Cited**

U.S. PATENT DOCUMENTS

D627,913 S * 11/2010 Gielen D26/74
D698,972 S * 2/2014 Guzzini D26/74

D699,385 S * 2/2014 Guzzini D26/74
D699,880 S * 2/2014 Szoke D26/74
D768,327 S * 10/2016 Guzzini D26/74
D768,903 S * 10/2016 Guzzini D26/74
D835,321 S * 12/2018 Delano D26/74
D846,175 S * 4/2019 Baumeister D26/74
D853,009 S * 7/2019 Coirier D26/74
D853,010 S * 7/2019 Coirier D26/74
D855,236 S * 7/2019 Goetz-Schaefer D26/74
D855,237 S * 7/2019 Liu D26/76

* cited by examiner

Primary Examiner — Angela J Lee

(74) *Attorney, Agent, or Firm* — Scully Scott Murphy and Presser

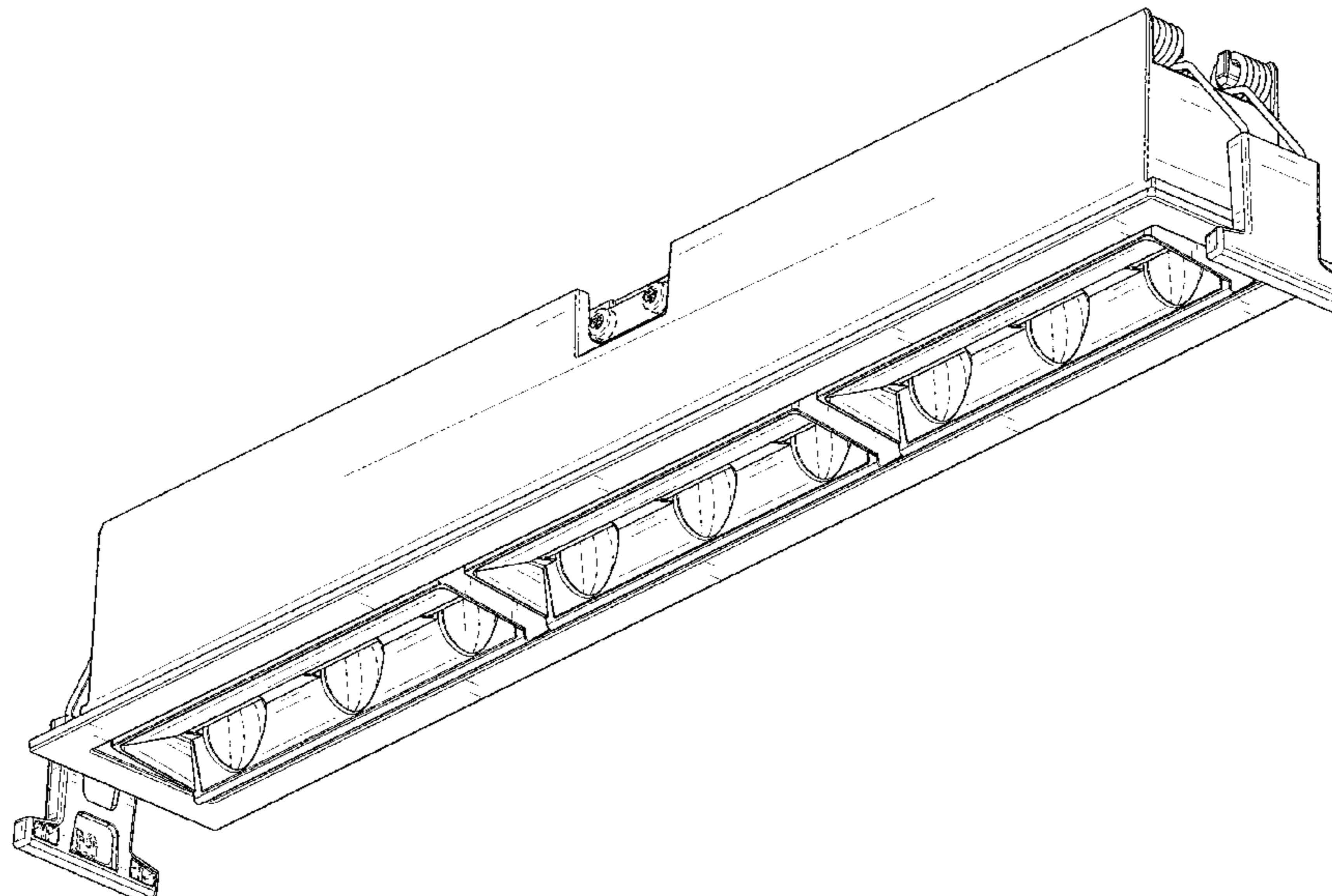
(57) **CLAIM**

The ornamental design for a luminaire, as shown and described.

DESCRIPTION

FIG. 1 illustrates a bottom, front perspective view of a luminaire showing my new and ornamental design; FIG. 2 illustrates a bottom, back perspective view thereof; FIG. 3 illustrates a top, front perspective view thereof; FIG. 4 illustrates an alternate bottom, back perspective view thereof; FIG. 5 illustrates an alternate top, front perspective view thereof; FIG. 6 illustrates a back view thereof; FIG. 7 illustrates a front view thereof; FIG. 8 illustrates a side view thereof; FIG. 9 illustrates an opposite side view thereof; FIG. 10 illustrates a bottom view thereof; and, FIG. 11 illustrates a top view thereof. The broken lines are included for the purpose of illustrating portions of the article that form no part of the claimed design.

1 Claim, 10 Drawing Sheets



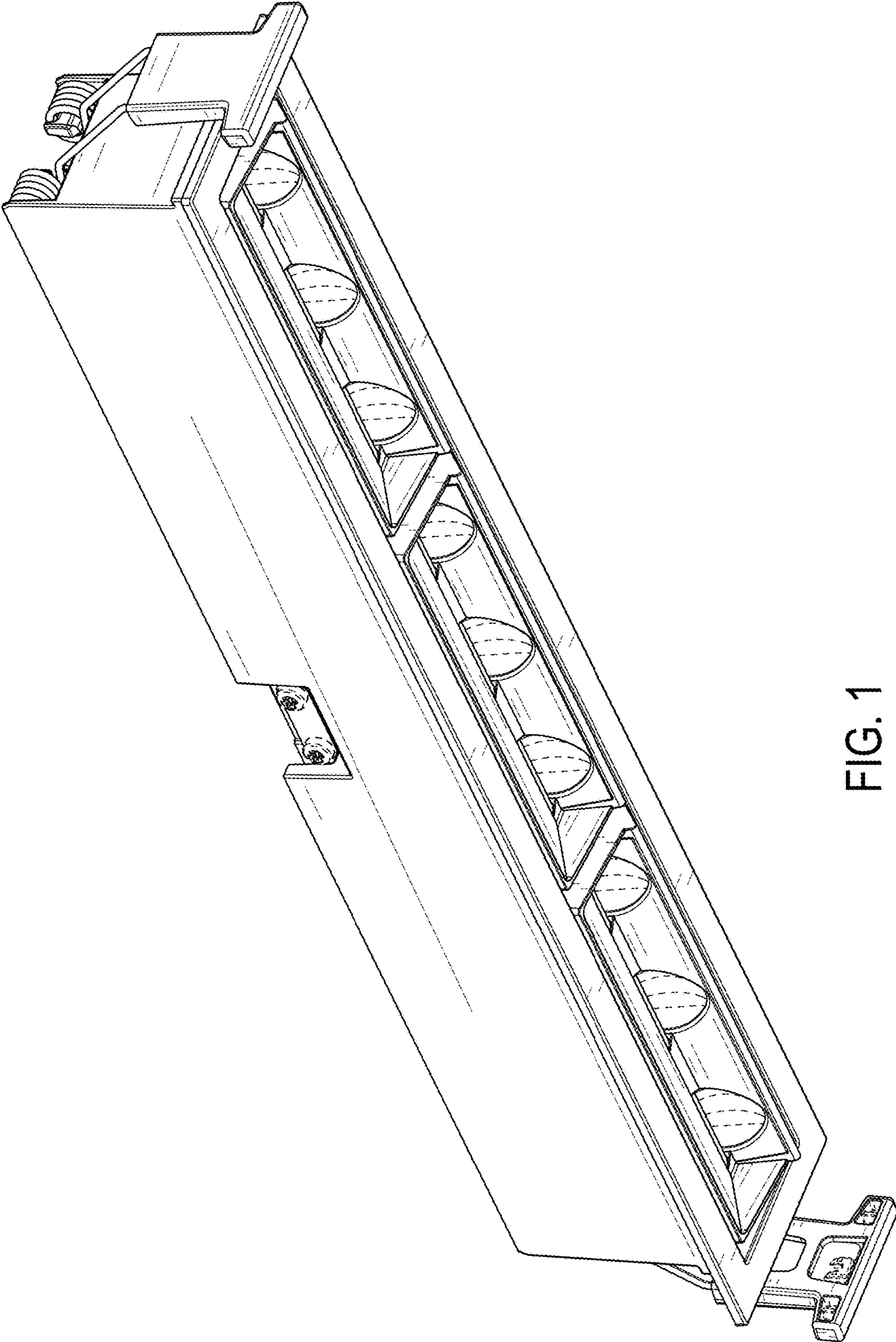


FIG. 1

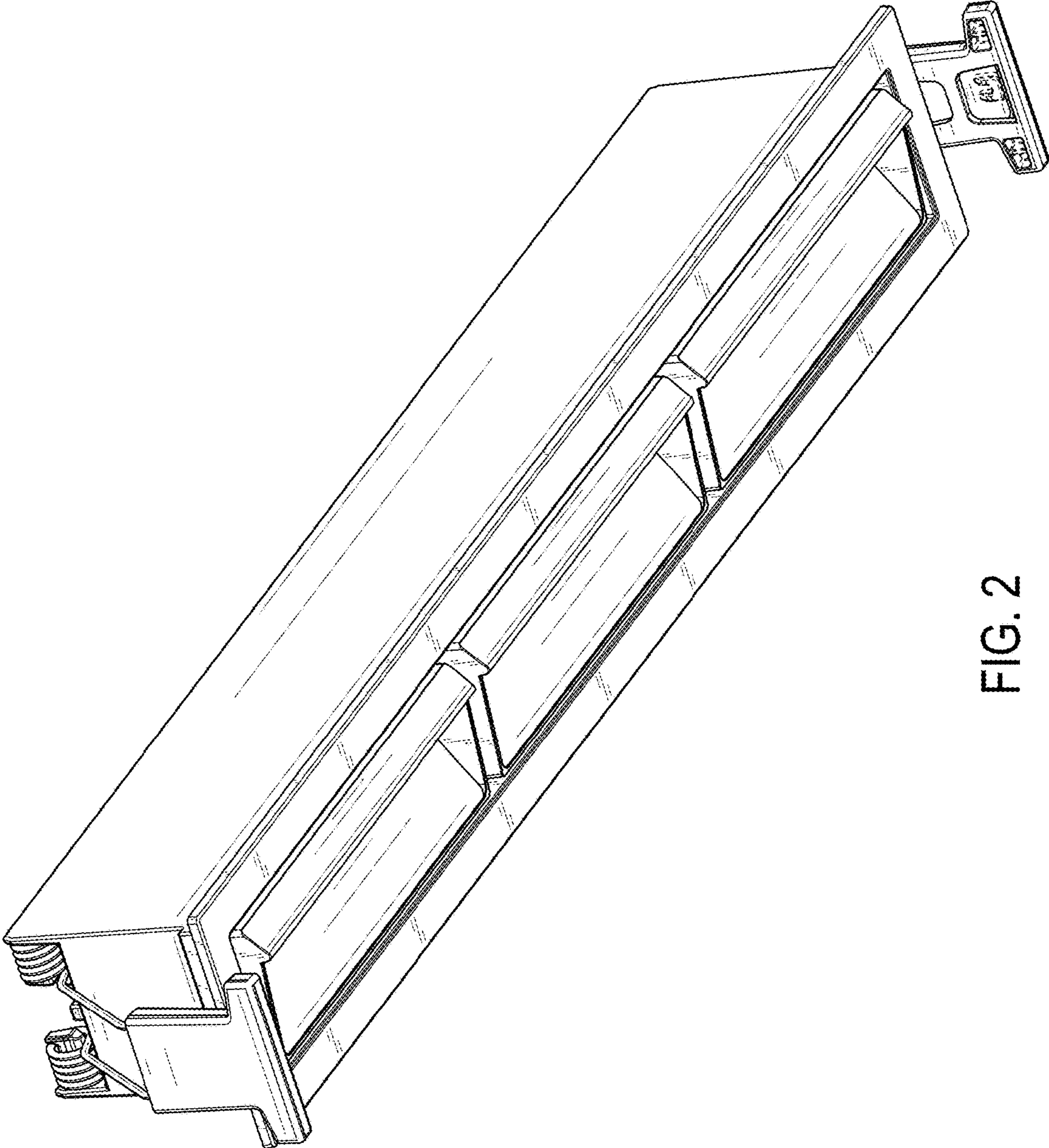


FIG. 2

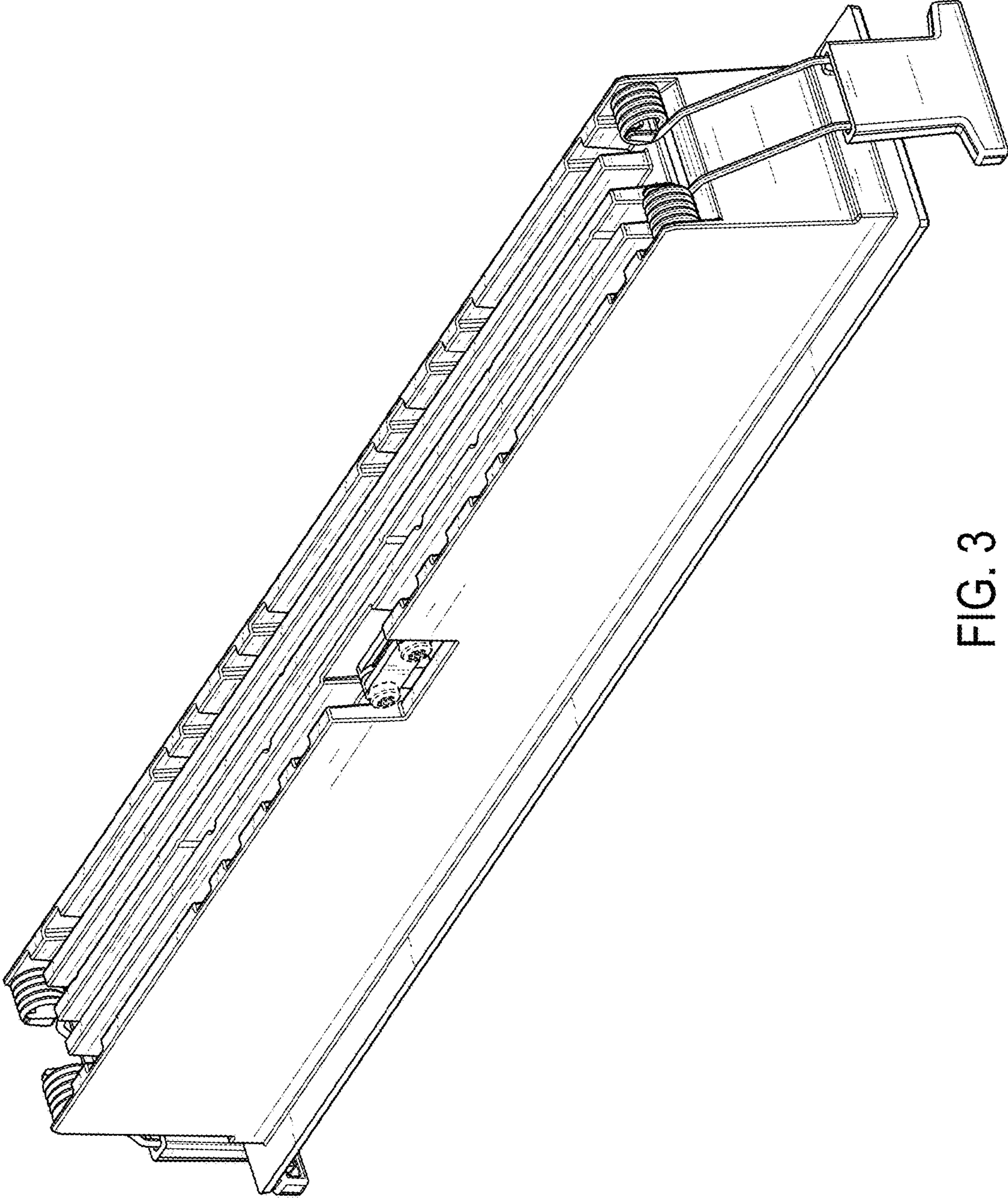


FIG. 3

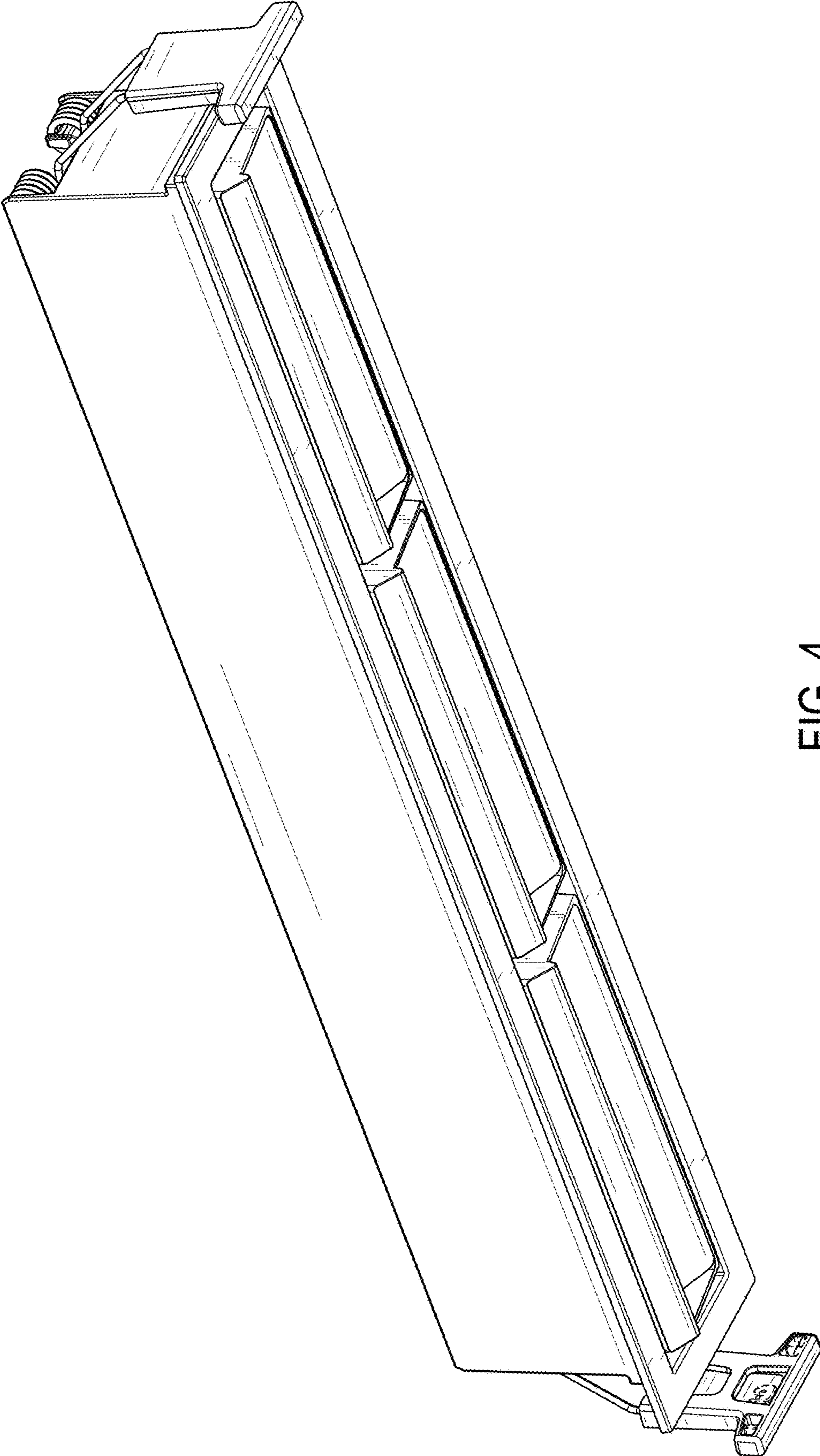


FIG. 4

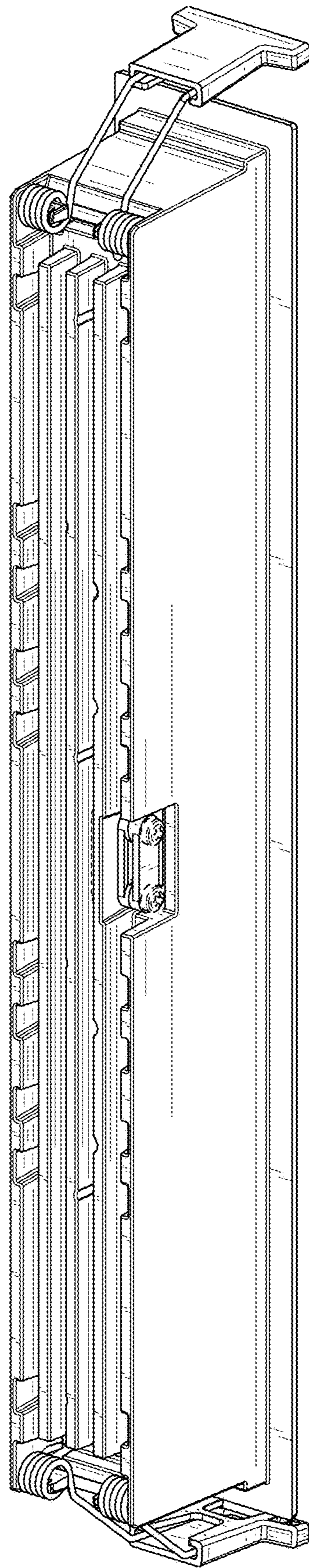


FIG. 5

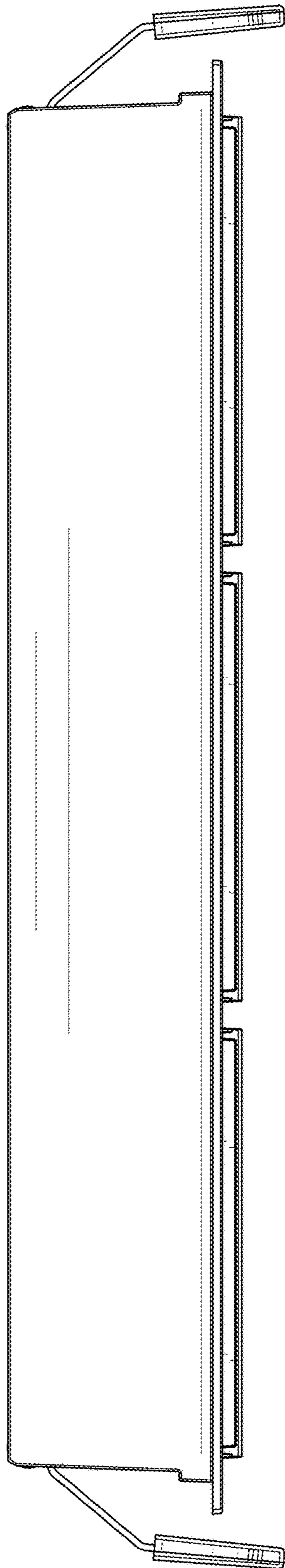


FIG. 6

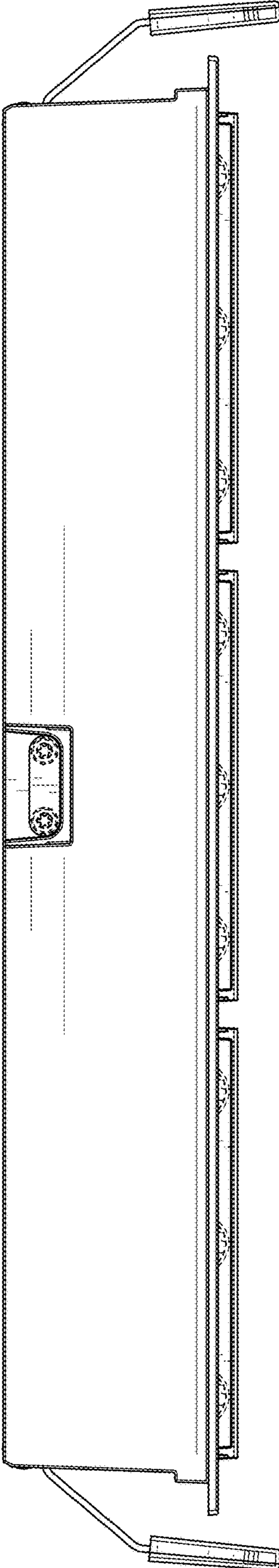


FIG. 7

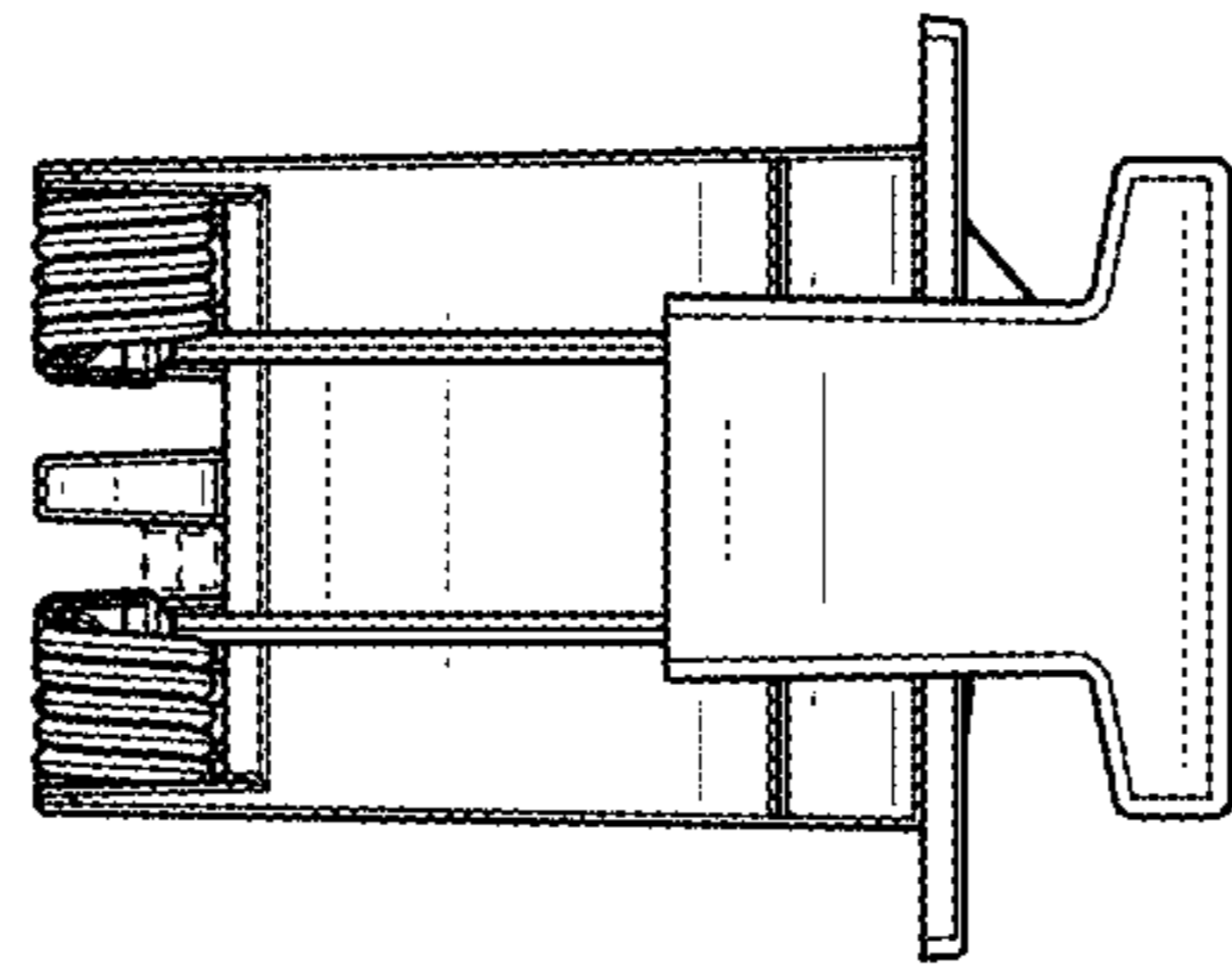


FIG. 9

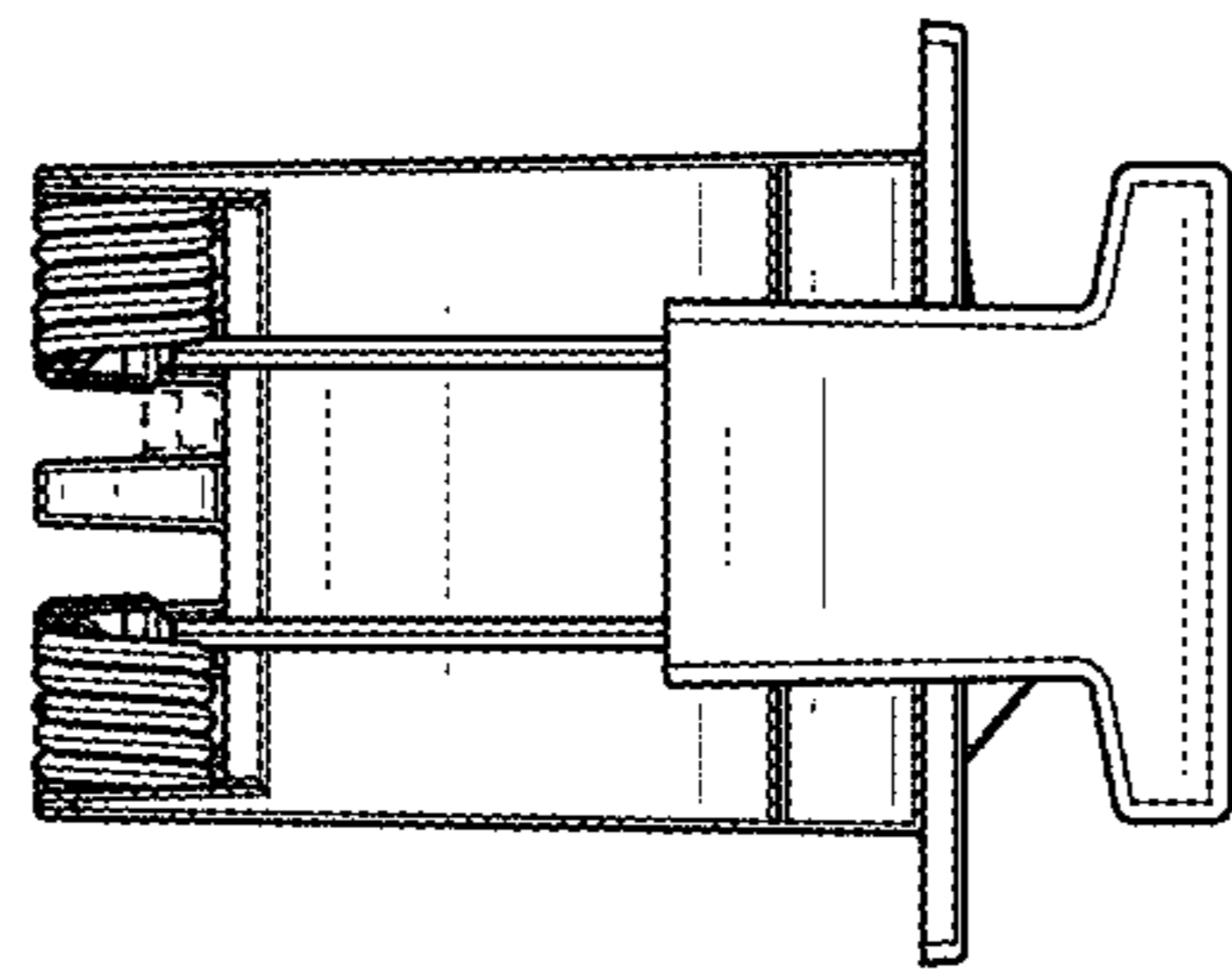


FIG. 8

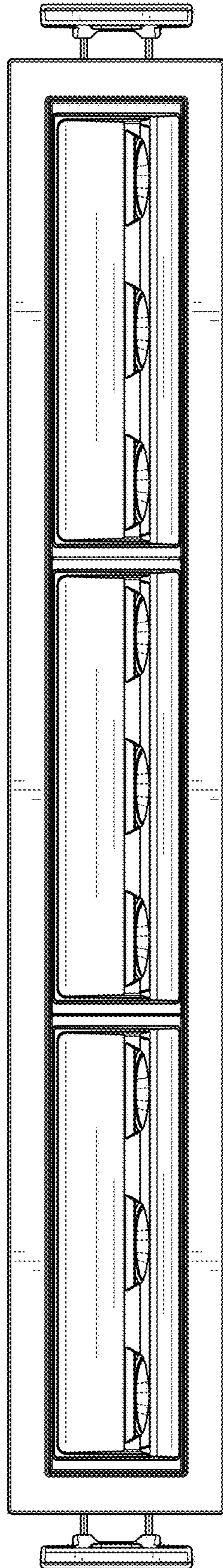


FIG. 10

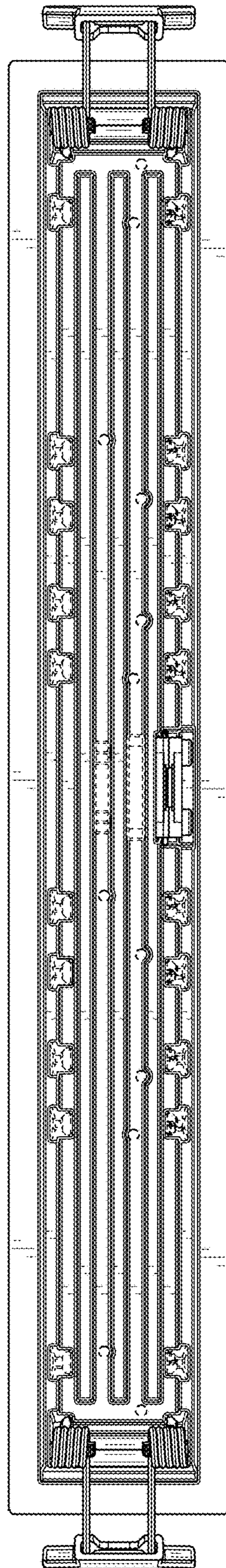


FIG. 11