



US00D869726S

(12) **United States Design Patent**  
**Deng**

(10) **Patent No.:** **US D869,726 S**

(45) **Date of Patent:** **\*\* Dec. 10, 2019**

(54) **HIGH BAY LIGHT**

(71) Applicant: **EVERY INDUSTRY LLC**, Rancho Dominguez, CA (US)

(72) Inventor: **Jinsheng Deng**, Rancho Dominguez, CA (US)

(73) Assignee: **EVERY INDUSTRY LLC**, Rancho Dominguez, CA (US)

(\*\*) Term: **15 Years**

(21) Appl. No.: **29/648,105**

(22) Filed: **May 18, 2018**

(51) **LOC (12) Cl.** ..... **26-05**

(52) **U.S. Cl.**  
USPC ..... **D26/72**

(58) **Field of Classification Search**  
USPC ..... D26/71, 72, 76, 78, 88, 89, 118  
See application file for complete search history.

(56) **References Cited**

**U.S. PATENT DOCUMENTS**

D302,737 S *	8/1989	Hoke	.....	D26/88
D707,382 S *	6/2014	Ni	.....	D26/72
D803,453 S *	11/2017	Engle	.....	D26/72
2006/0291219 A1 *	12/2006	Chen	.....	F21S 8/061
				362/382
2014/0199168 A1 *	7/2014	Spiro	.....	F04D 29/582
				416/5

2014/0268730 A1 *	9/2014	Lui	.....	F21V 23/008
				362/227
2017/0153016 A1 *	6/2017	Lee	.....	F21V 29/77
2017/0321874 A1 *	11/2017	Bryant	.....	F21V 29/777

**OTHER PUBLICATIONS**

White 100W 4000K CRI>80 13, 500LM Dimmable High Bay LED Shop Light by HYPERLITE. At amazon.com Aug. 1, 2018. (Year: 2018).\*

UFO LED High Bay Light, Waterproof Industrial Grade by ZJOJO. At amazon.com Dec. 13, 2018. (Year: 2018).\*

\* cited by examiner

*Primary Examiner* — Clare E Heflin

(74) *Attorney, Agent, or Firm* — Ladas & Parry LLP

(57) **CLAIM**

The ornamental design for a high bay light, as shown and described.

**DESCRIPTION**

FIG. 1 is front, top, left perspective view of a high bay light showing my new design;

FIG. 2 is a rear, bottom, right perspective view thereof;

FIG. 3 is a front elevational view thereof;

FIG. 4 is a rear elevational view thereof;

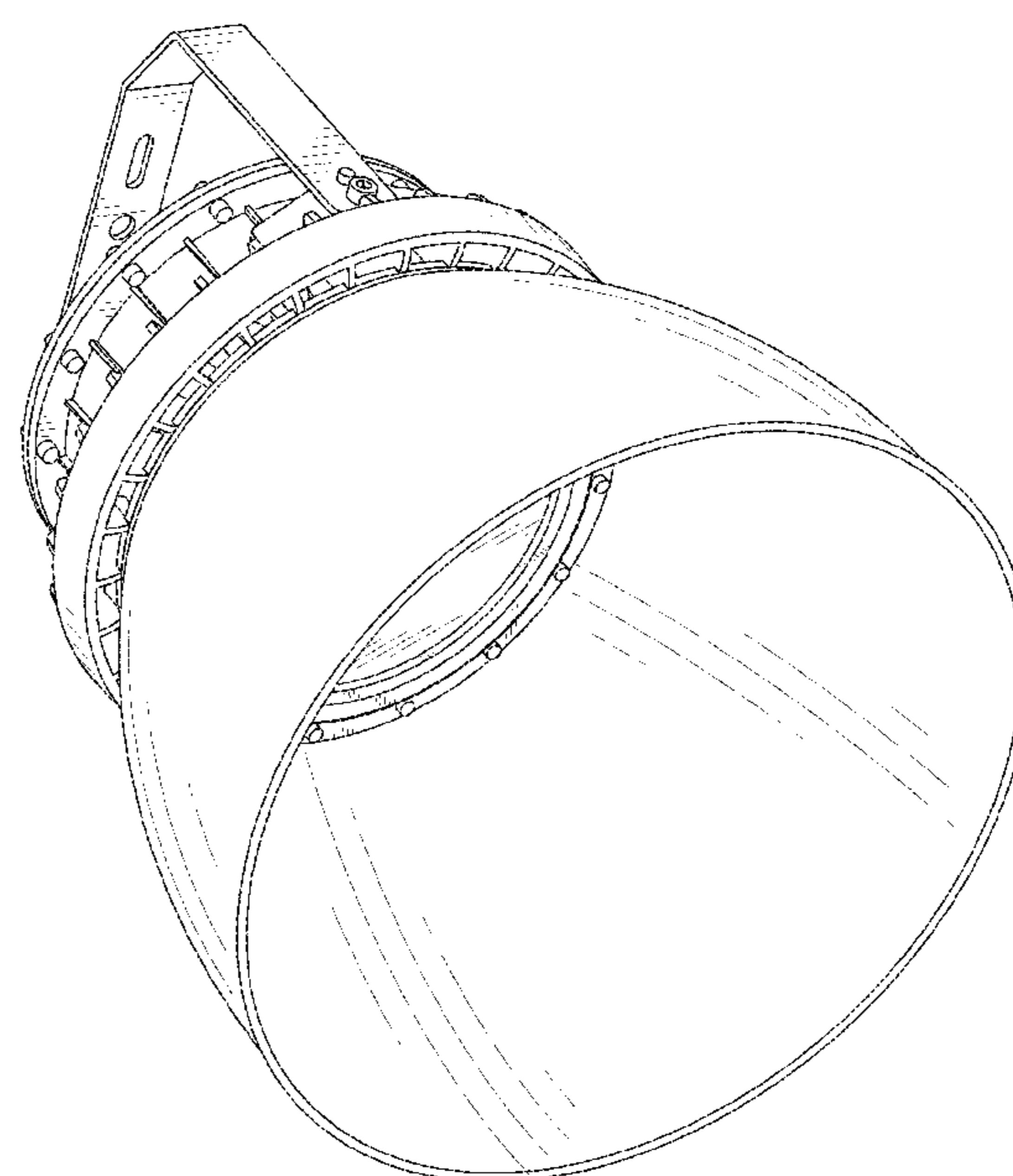
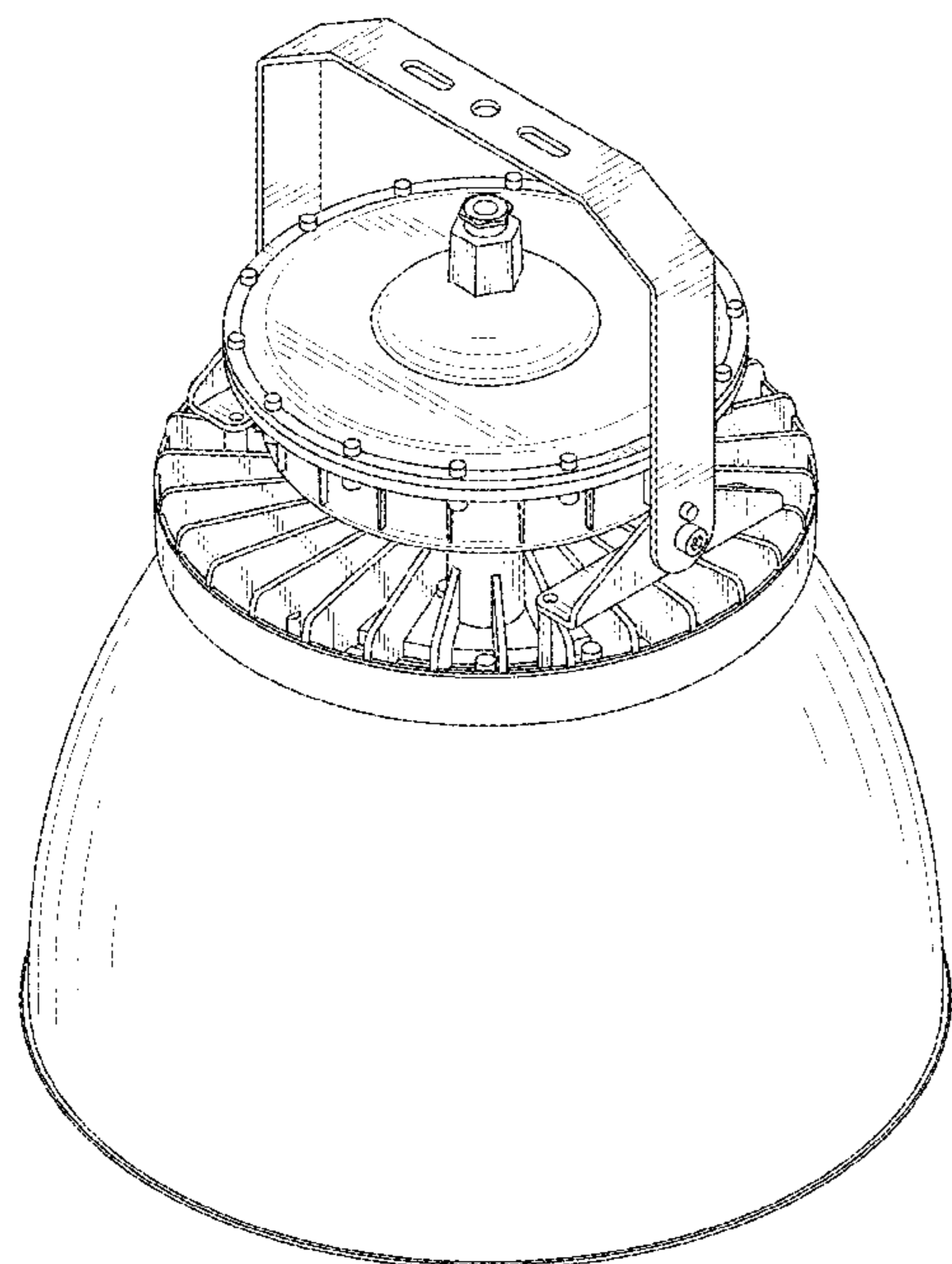
FIG. 5 is a left side elevational view thereof;

FIG. 6 is a right side elevational view thereof;

FIG. 7 is a top plan view thereof; and,

FIG. 8 is a bottom plan view thereof.

**1 Claim, 8 Drawing Sheets**



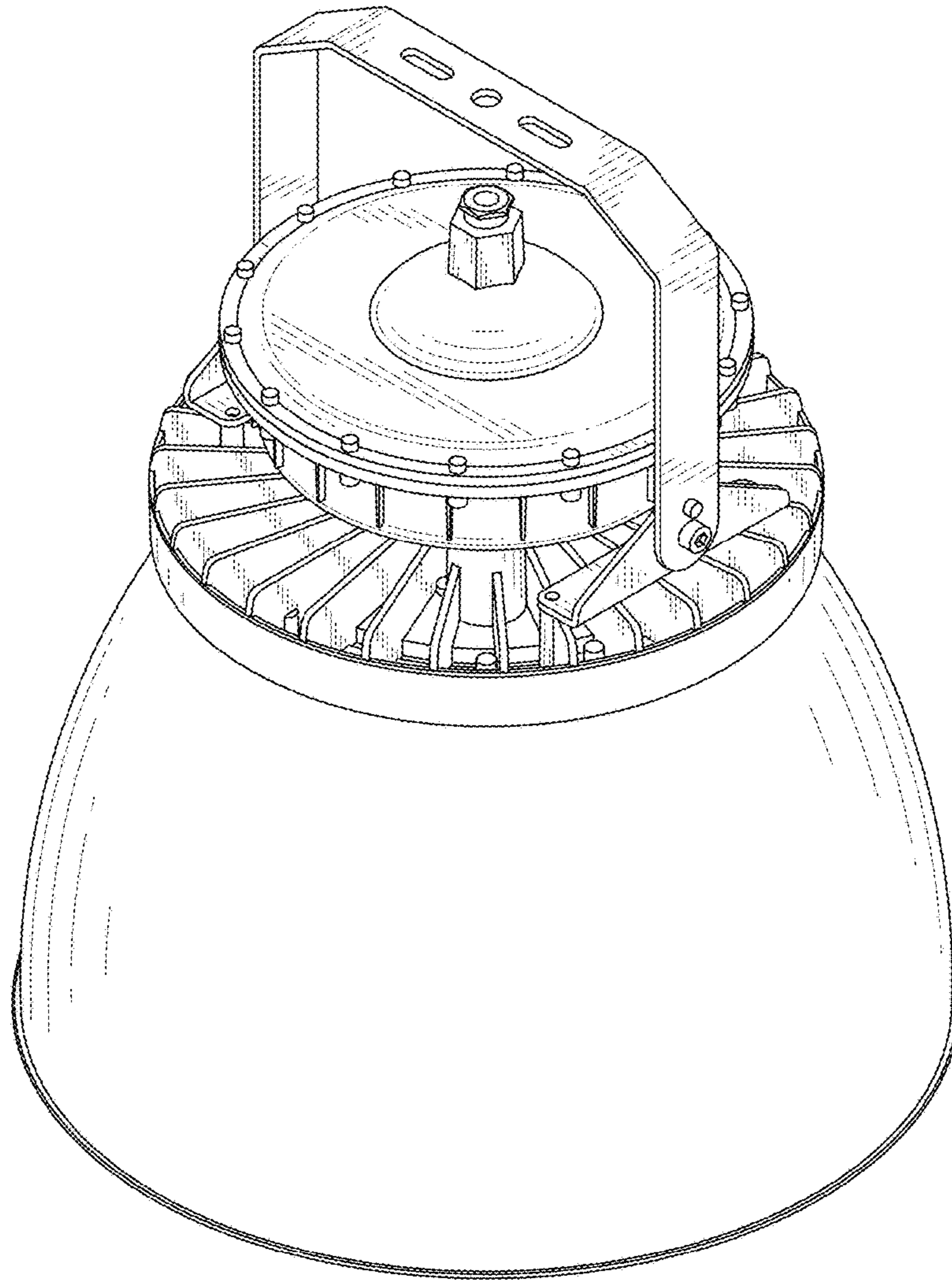


FIG. 1

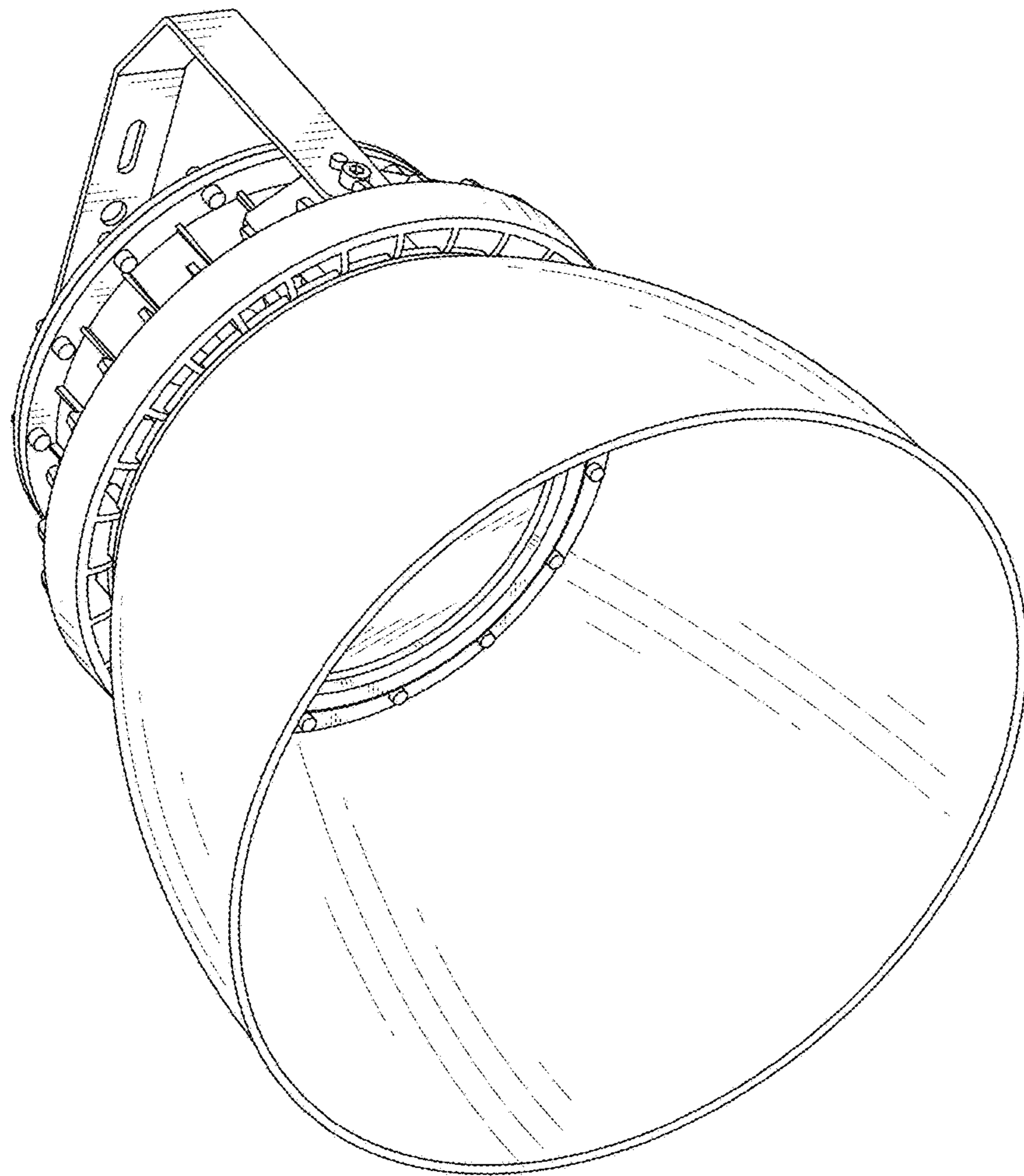


FIG. 2

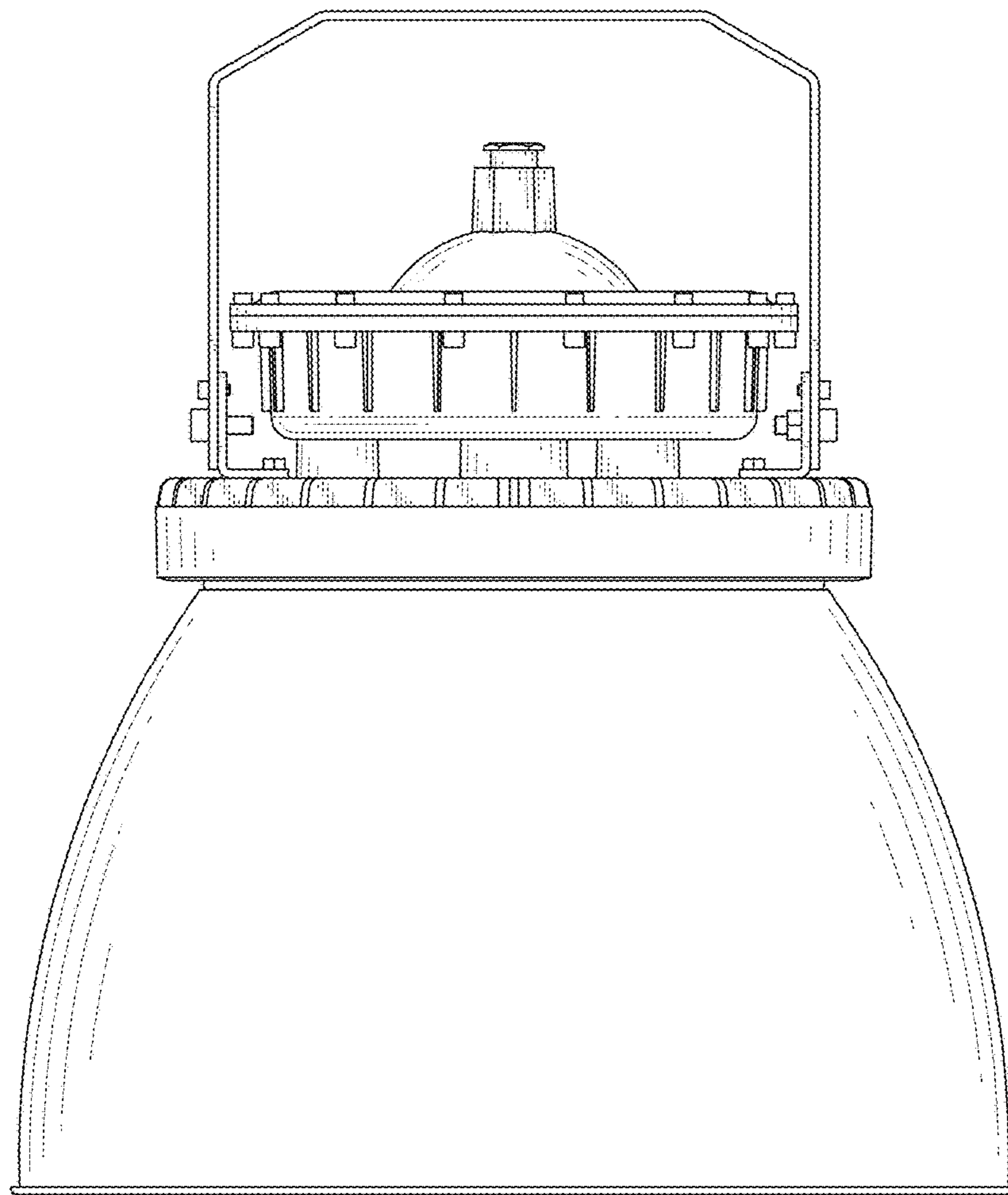


FIG. 3

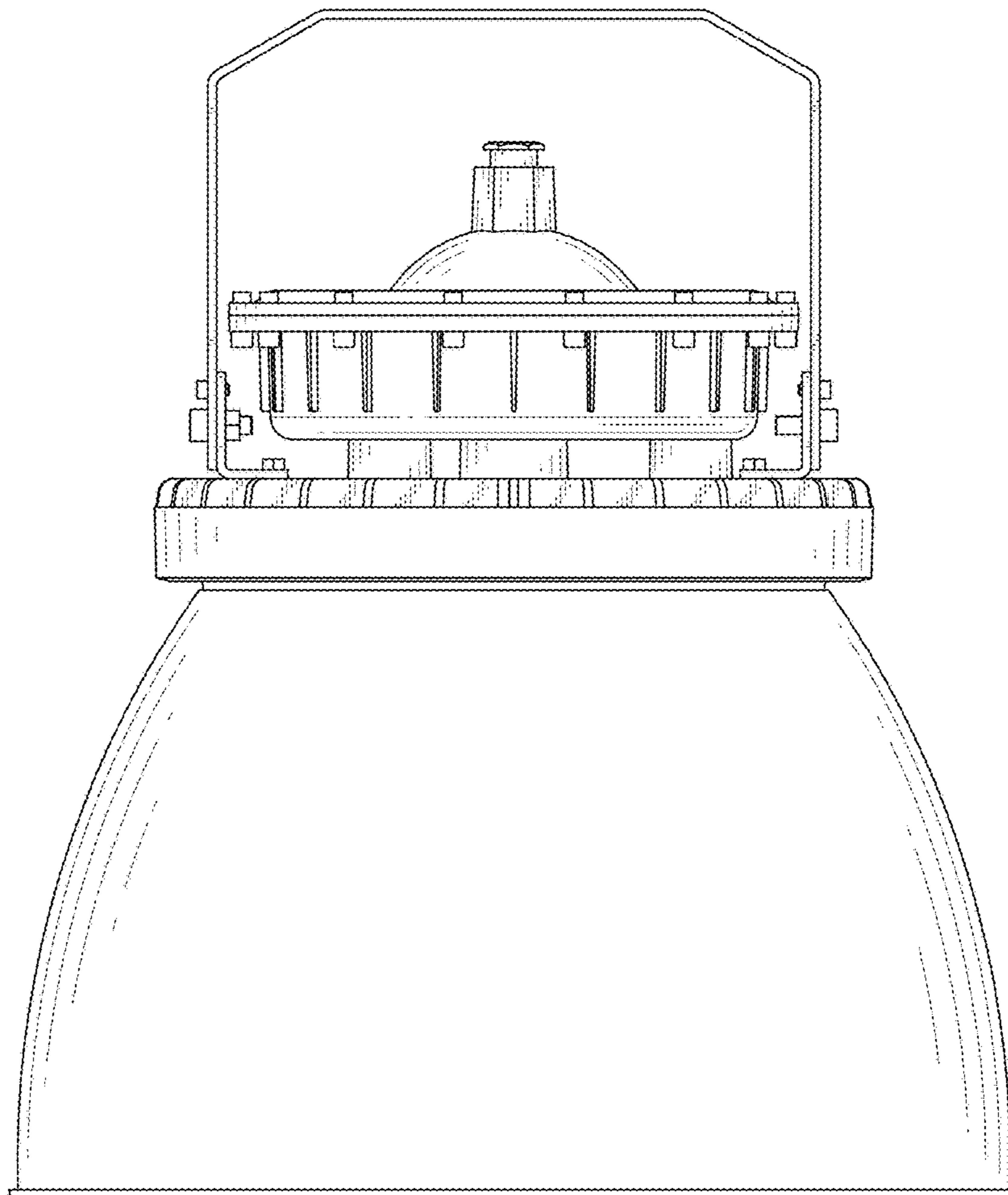


FIG. 4

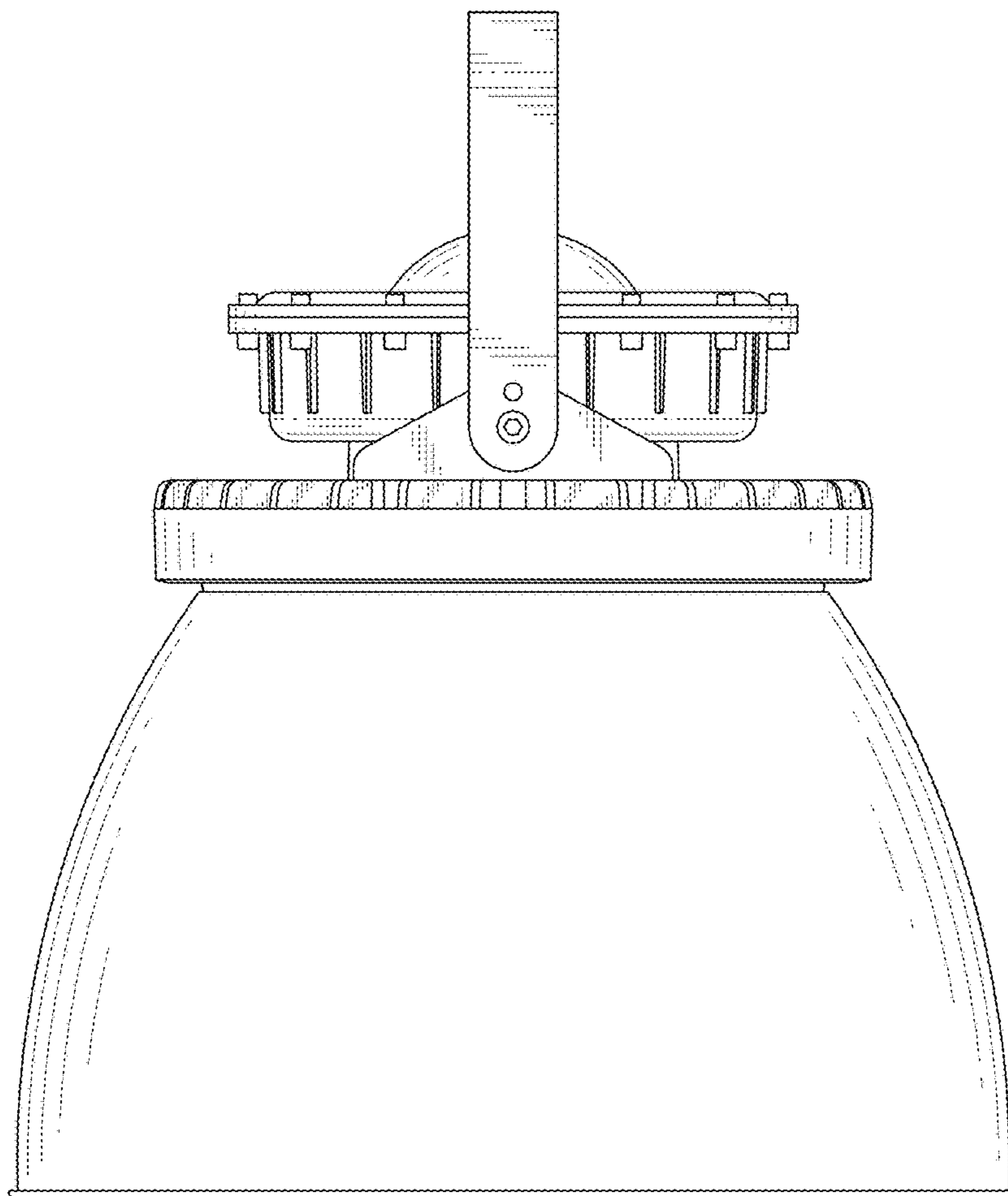


FIG. 5

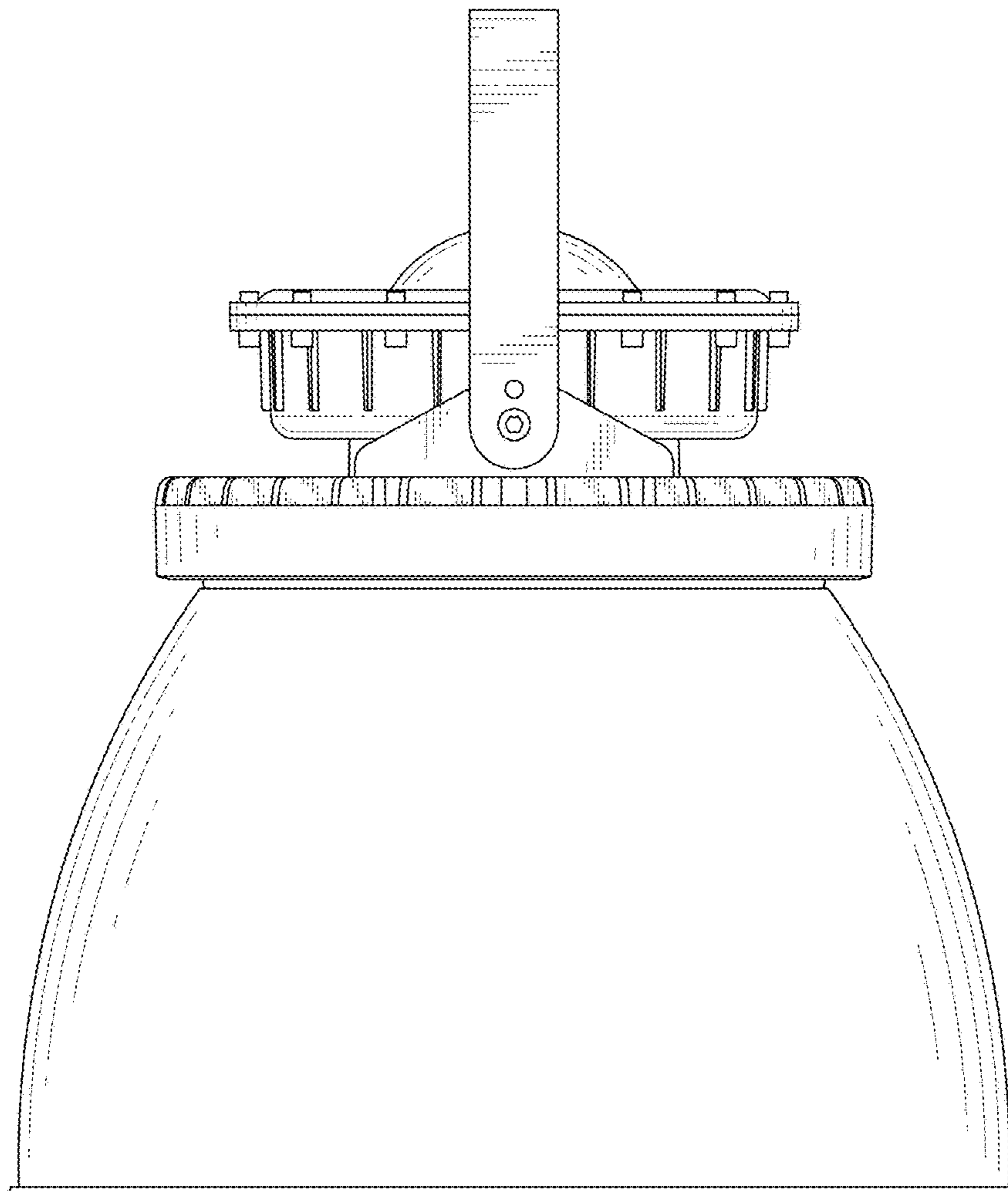


FIG. 6

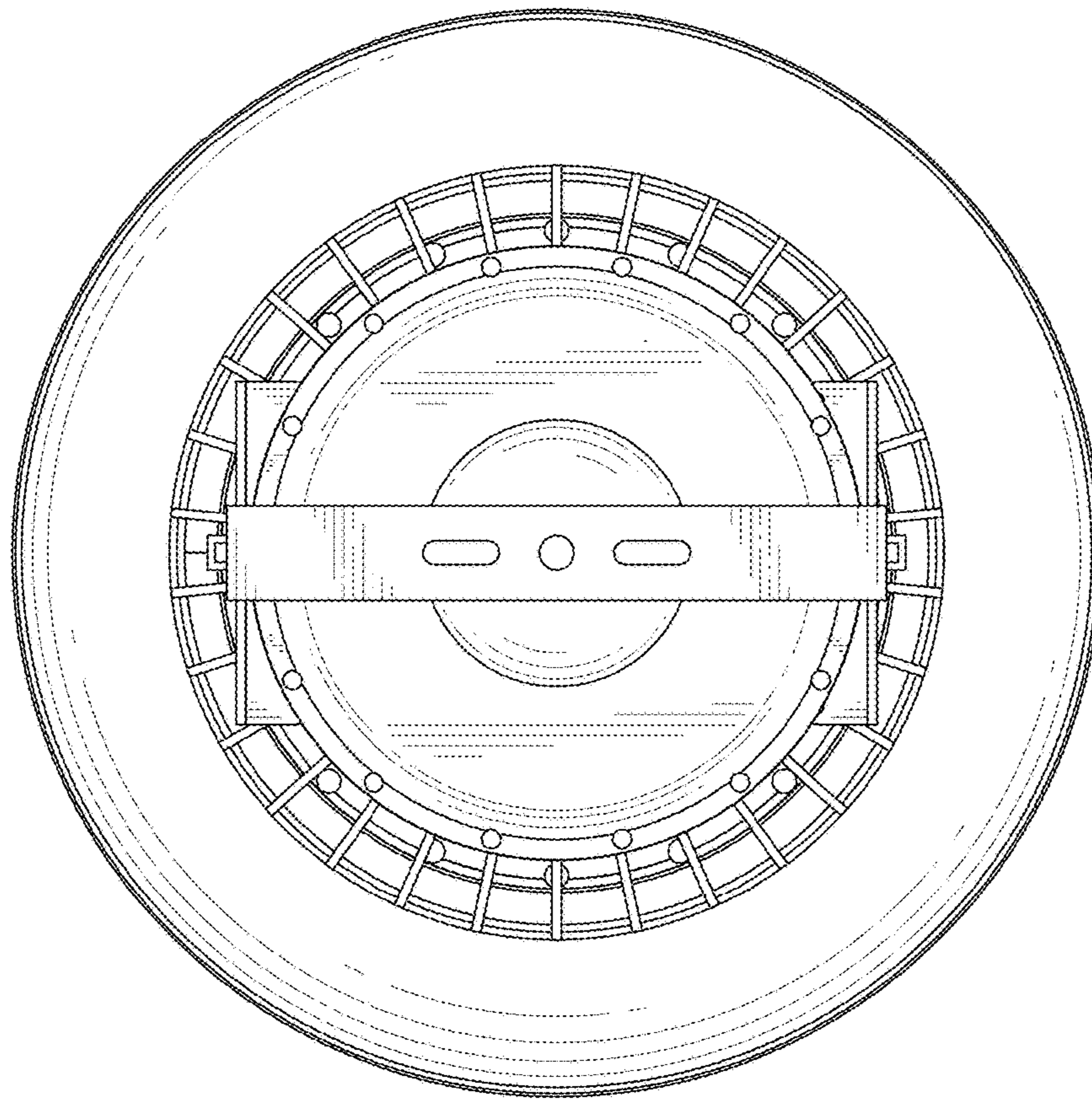


FIG. 7



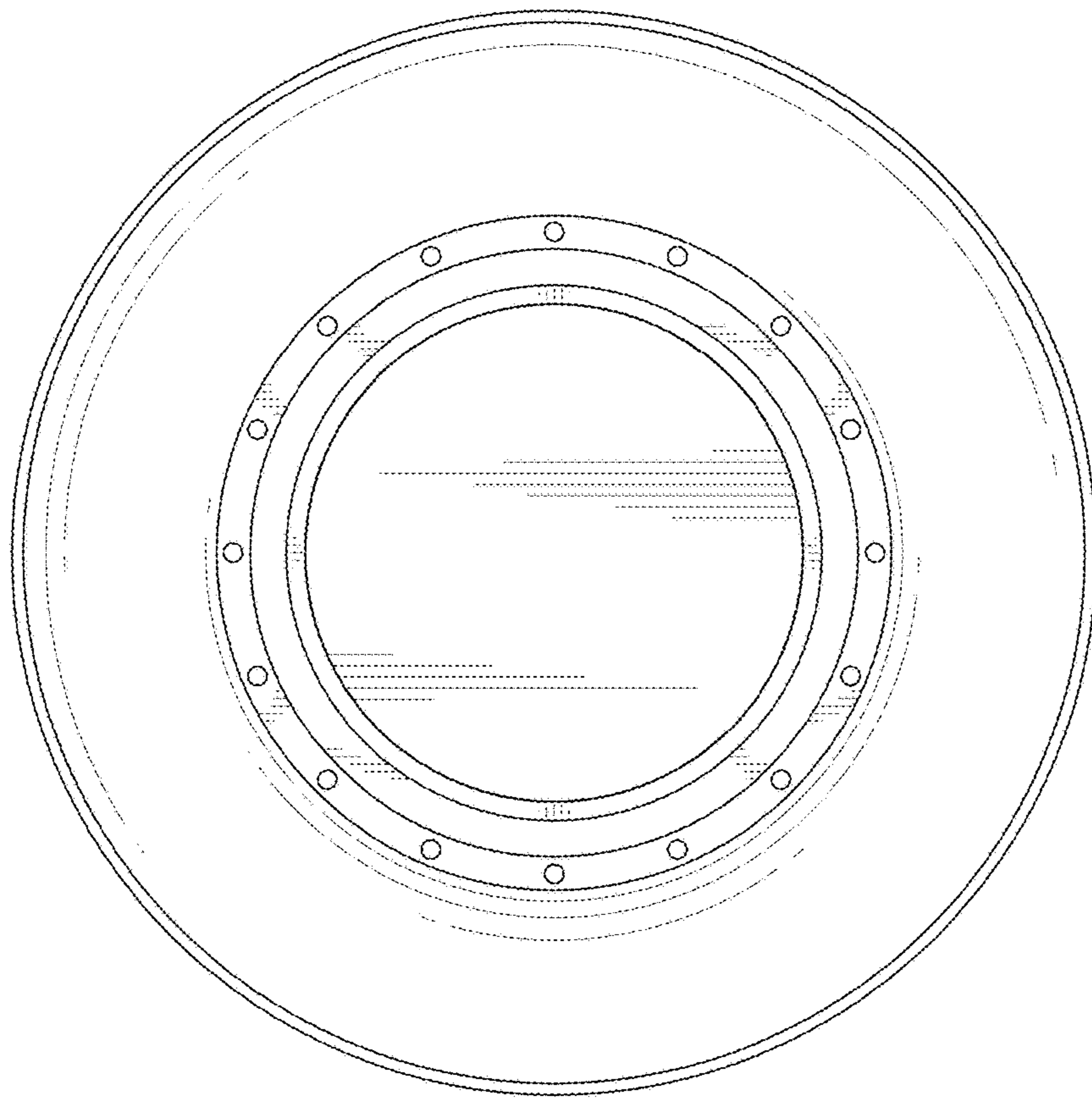


FIG. 8