

US00D869725S

(12) **United States Design Patent**
Wang

(10) **Patent No.:** **US D869,725 S**

(45) **Date of Patent:** **** Dec. 10, 2019**

(54) **LED AREA LIGHT**

(71) Applicant: **AOK Industrial Company Limited,**
Shenzhen (CN)

(72) Inventor: **Xin Wang,** Shenzhen (CN)

(**) Term: **15 Years**

(21) Appl. No.: **29/702,765**

(22) Filed: **Aug. 22, 2019**

(51) **LOC (12) Cl.** **26-05**

(52) **U.S. Cl.**
USPC **D26/71**

(58) **Field of Classification Search**

USPC D26/71, 72, 85, 92, 63
CPC .. F21S 8/085; F21S 8/086; F21S 8/068; F21S
9/03; F21S 9/037; F21W 2131/103;
F21W 2131/107; F21W 2131/109
See application file for complete search history.

(56) **References Cited**

U.S. PATENT DOCUMENTS

D615,235 S *	5/2010	Zheng	D26/63
D660,496 S *	5/2012	Akdag	D26/71
D668,370 S	10/2012	Guercio et al.		
D762,901 S *	8/2016	Boissevain	D26/63
D788,966 S *	6/2017	Gan	D26/63

D826,448 S *	8/2018	Wan	D26/71
D831,254 S *	10/2018	Pouladian	D26/71
D831,872 S *	10/2018	Sinai	D26/71
D850,691 S *	6/2019	Yang	D26/71
D850,693 S *	6/2019	Pan	D26/71
D854,721 S *	7/2019	Sohn	D26/71
D860,497 S *	9/2019	Zhu	D26/71
2009/0251898 A1 *	10/2009	Kinnune	F21V 19/04 362/249.02

* cited by examiner

Primary Examiner — Clare E Heflin

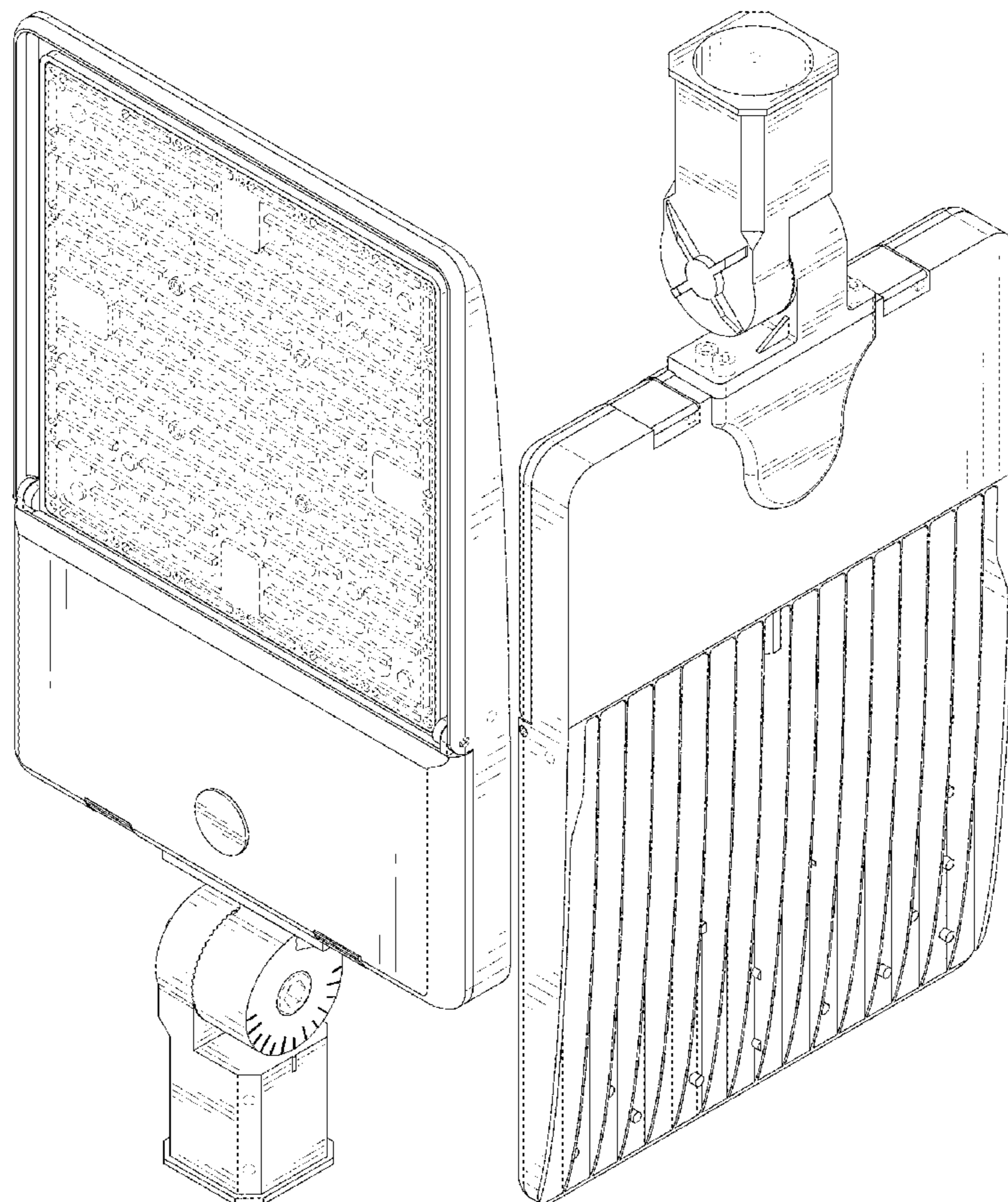
(57) **CLAIM**

The ornamental design for an LED area light, as shown and described.

DESCRIPTION

FIG. 1 is a front and top perspective view of an LED area light, showing my new design;
FIG. 2 is a rear and bottom perspective view thereof;
FIG. 3 is a front elevational view thereof;
FIG. 4 is a rear elevational view thereof;
FIG. 5 is a left side elevational view thereof;
FIG. 6 is a right side elevational view thereof;
FIG. 7 is a top plan view thereof; and,
FIG. 8 is a bottom plan view thereof.
The broken lines in the figures illustrate portions of the LED area light that form no part of the claimed design.

1 Claim, 8 Drawing Sheets



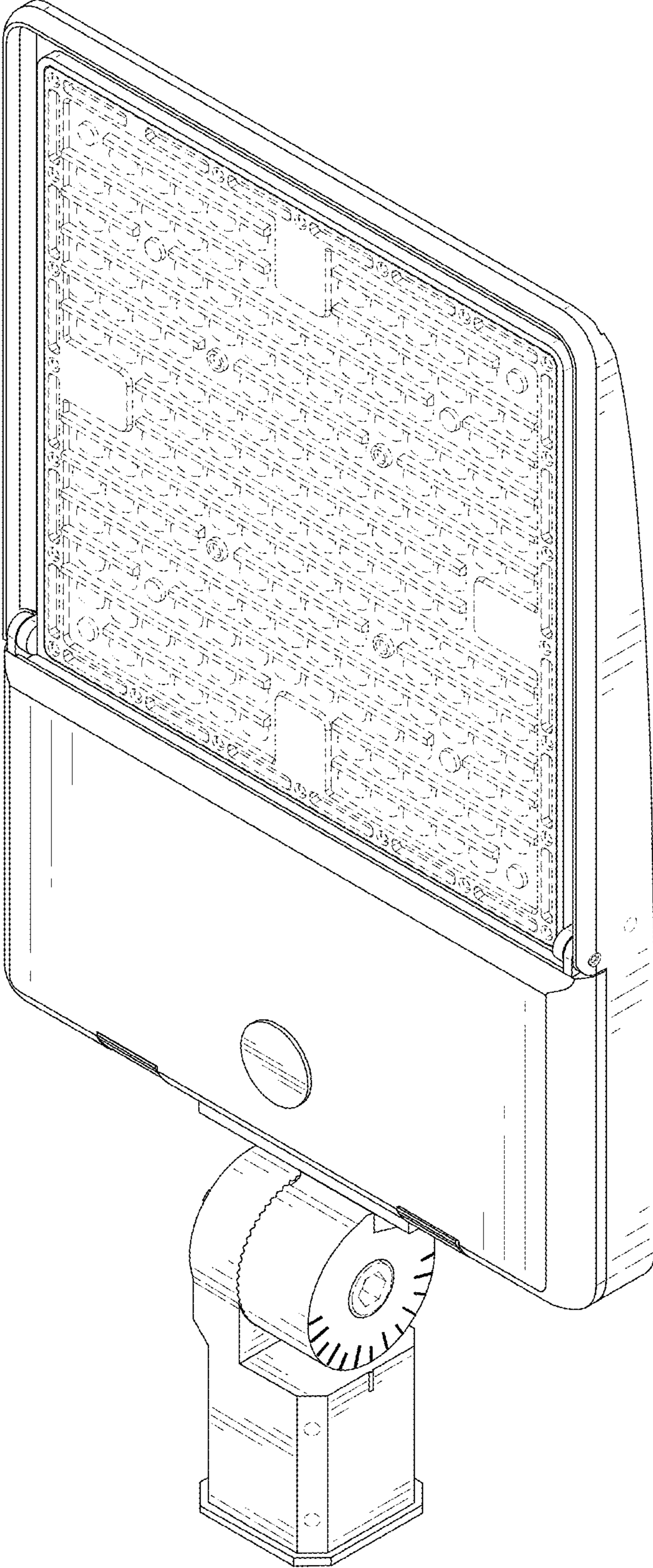


FIG. 1

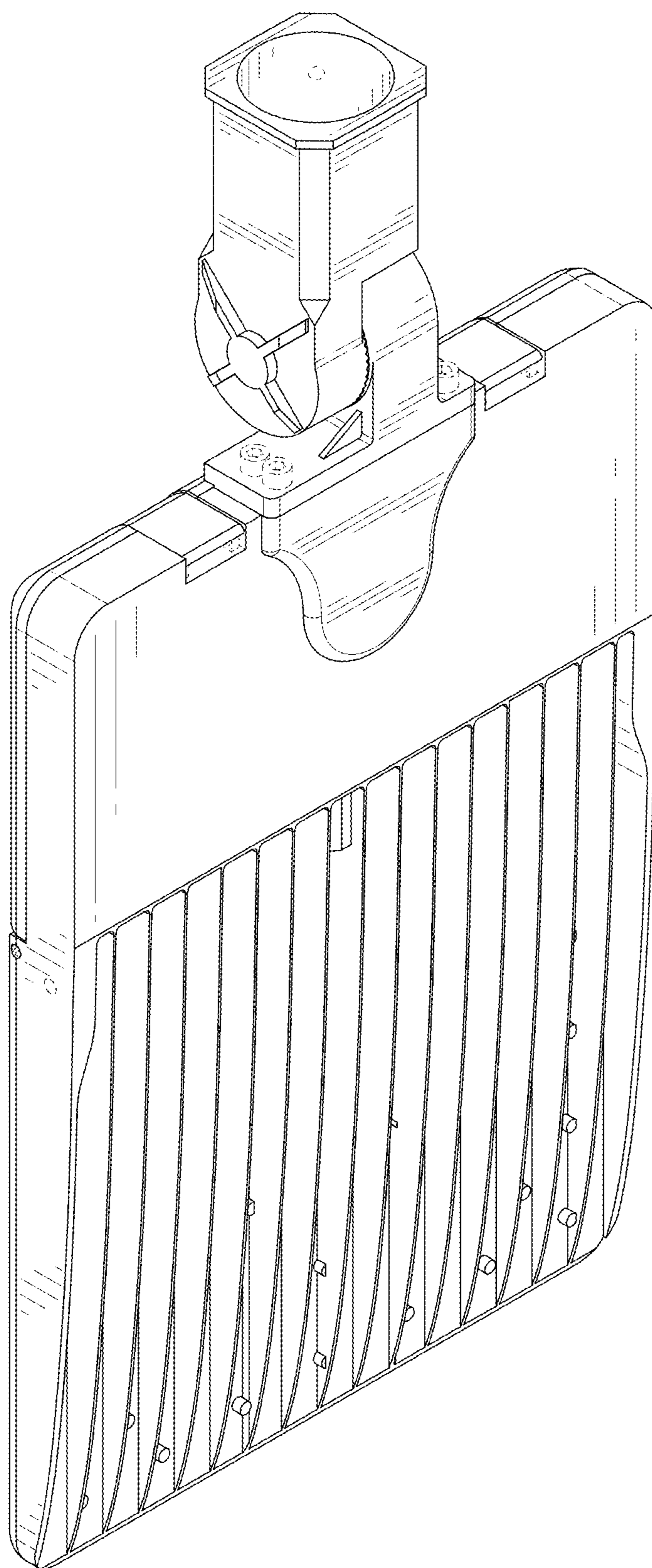


FIG. 2

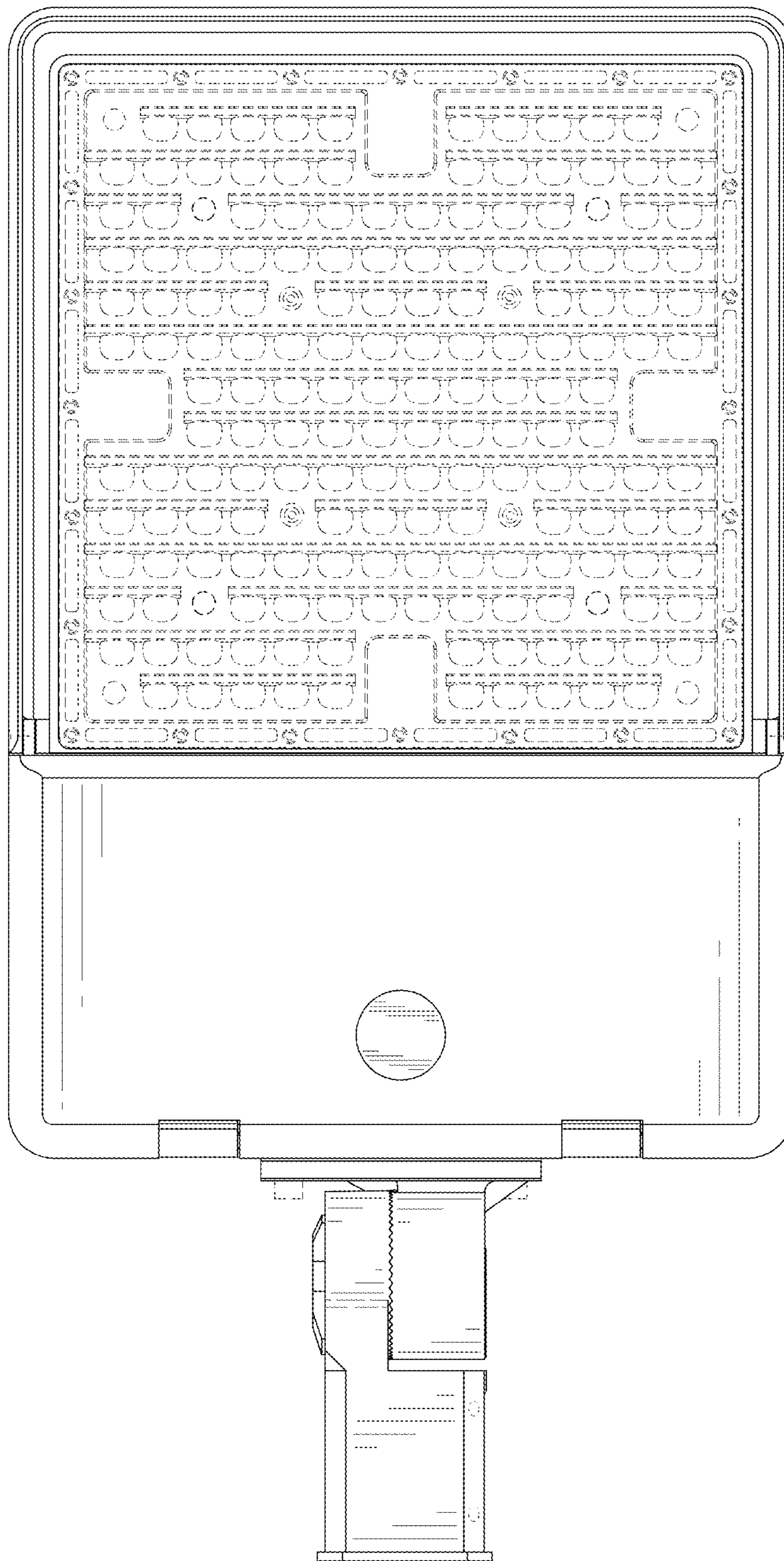


FIG. 3

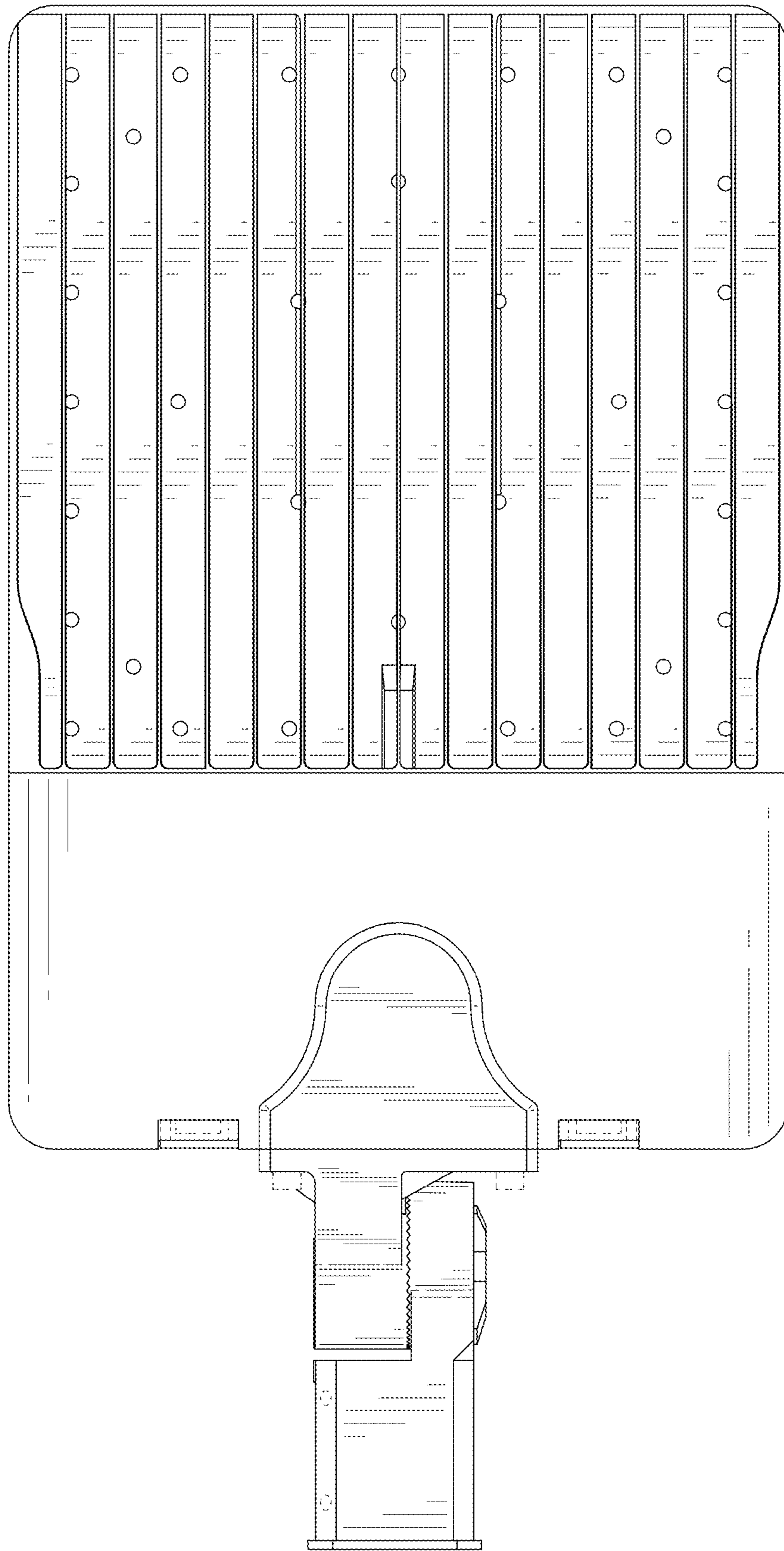


FIG. 4

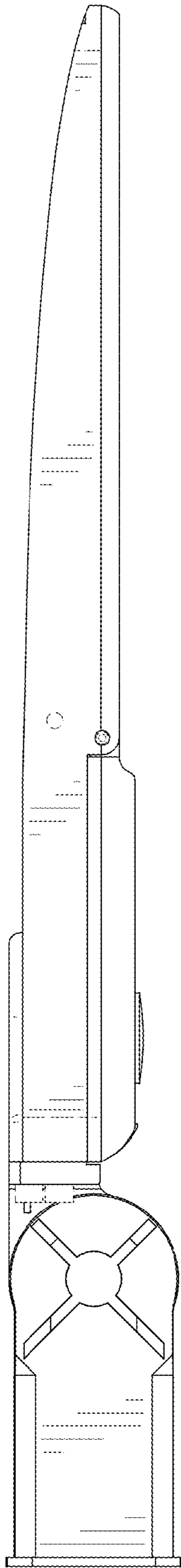


FIG. 5

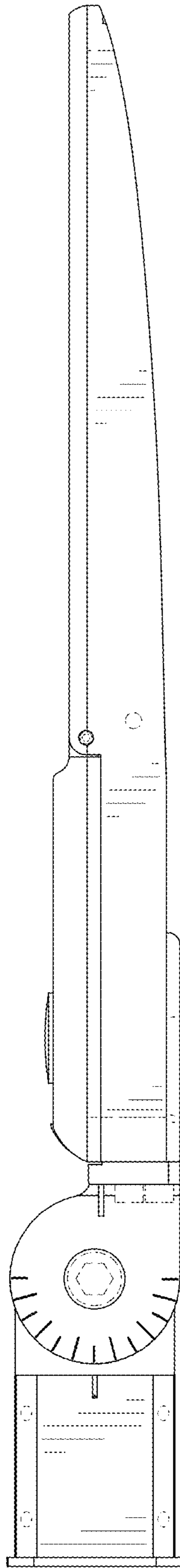


FIG. 6

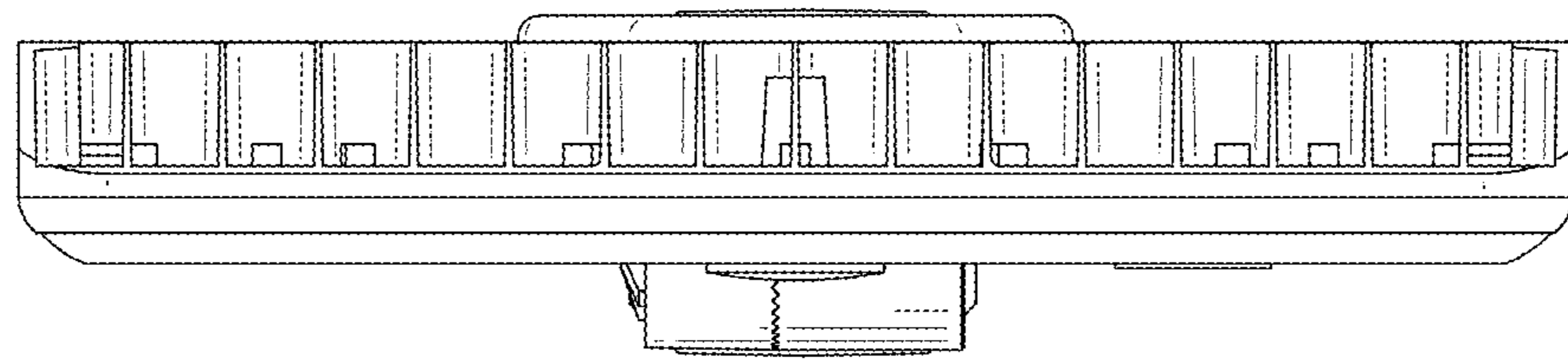


FIG. 7

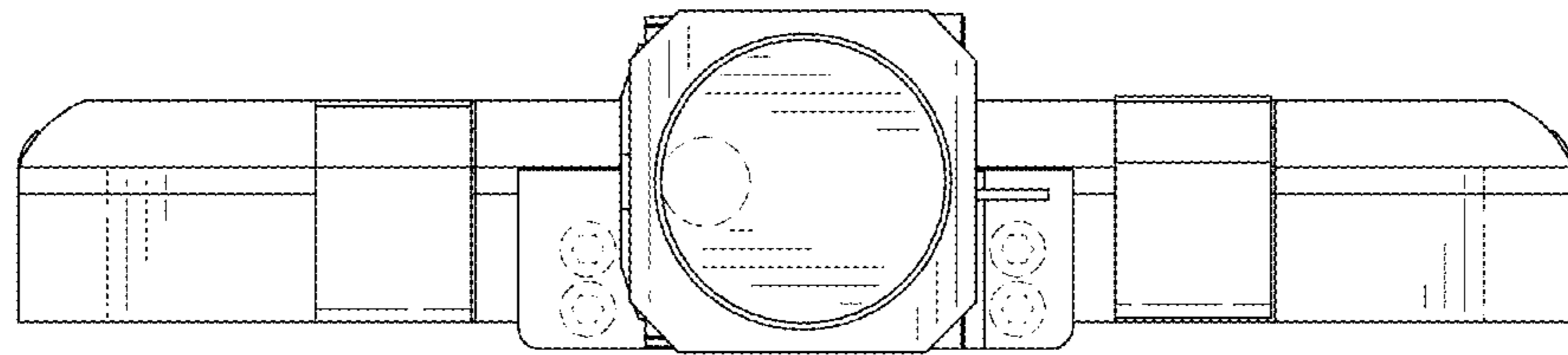


FIG. 8