



US00D869722S

(12) **United States Design Patent**  
**Szatrawski et al.**

(10) **Patent No.:** **US D869,722 S**

(45) **Date of Patent:** **\*\* Dec. 10, 2019**

(54) **LUMINAIRE**

(71) Applicant: **SIGNIFY HOLDING B.V.**, Eindhoven (NL)

(72) Inventors: **Jaroslav Szatrawski**, Ketrzyn (PL);  
**Jozef Willebrordus Van Roosmalen**, Rotterdam (NL)

(73) Assignee: **SIGNIFY HOLDING B.V.**, Eindhoven (NL)

(\*\*) Term: **15 Years**

(21) Appl. No.: **29/642,744**

(22) Filed: **Apr. 2, 2018**

(30) **Foreign Application Priority Data**

Oct. 5, 2017 (EM) ..... 004387090-0001

(51) **LOC (12) Cl.** ..... **26-05**

(52) **U.S. Cl.**  
USPC ..... **D26/67; D26/70**

(58) **Field of Classification Search**

USPC ..... D26/67-71; D25/135

CPC .... F21S 8/08; F21S 8/081; F21S 8/083; F21S 8/088; F21S 9/03; F21S 9/037; F21V 21/0824; F21W 2111/023; F21W 2111/02; F21W 2131/109

See application file for complete search history.

(56) **References Cited**

**U.S. PATENT DOCUMENTS**

D210,798 S \* 4/1968 Hewson ..... D26/67  
D266,958 S \* 11/1982 Gernhardt ..... D26/92

D451,227 S \* 11/2001 Orellana ..... D26/67  
D563,018 S \* 2/2008 Nankil ..... D26/70  
D573,289 S \* 7/2008 Xu ..... D26/67  
D592,345 S \* 5/2009 Gill ..... D26/71  
D592,346 S \* 5/2009 Gill ..... D26/71  
D623,337 S \* 9/2010 Zheng ..... D26/67  
D739,067 S \* 9/2015 Macura ..... D26/67  
D752,798 S \* 3/2016 Righetto ..... D26/67  
D793,600 S \* 8/2017 Ruao da Cunha ..... D26/67  
2009/0086491 A1 \* 4/2009 Ruud ..... F21S 8/086  
362/294  
2012/0057340 A1 \* 3/2012 Rami ..... F21S 8/086  
362/231

\* cited by examiner

*Primary Examiner* — Clare E Heflin

(74) *Attorney, Agent, or Firm* — Daniel J. Piotrowski

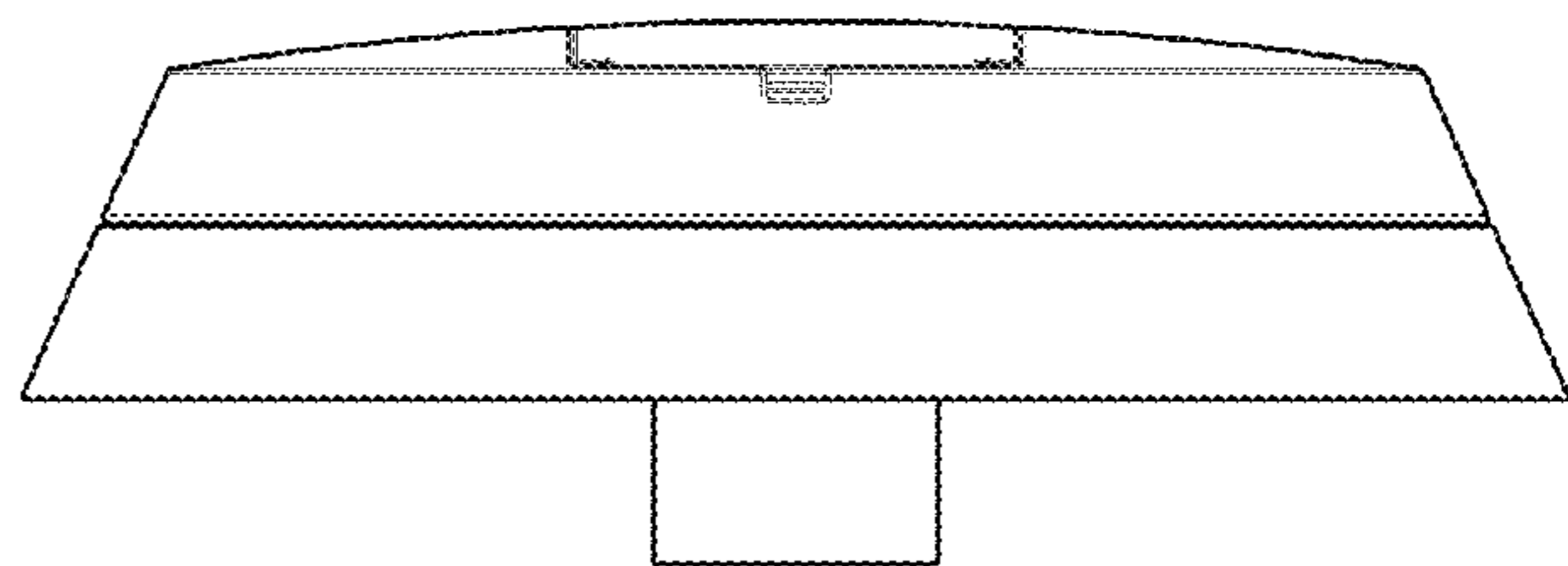
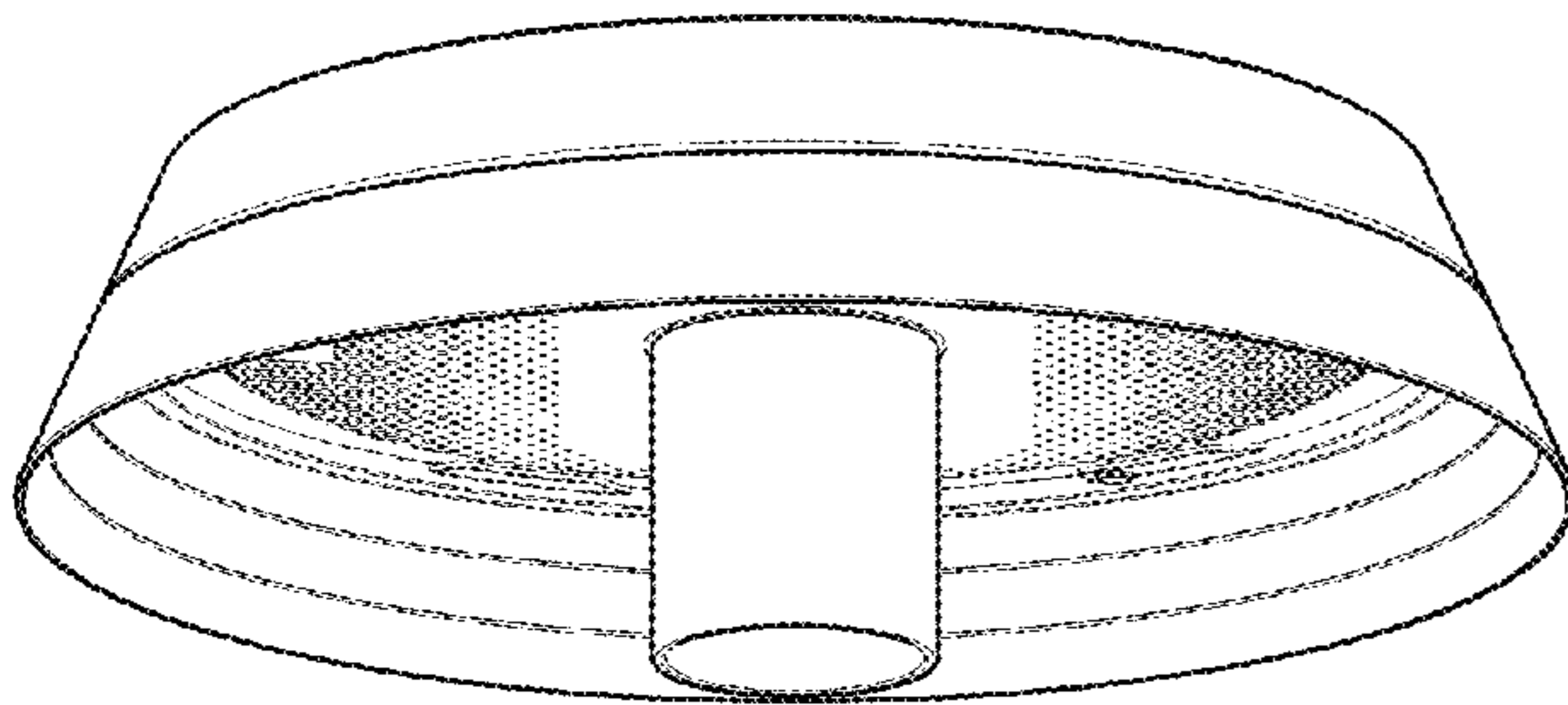
(57) **CLAIM**

The ornamental design for a “luminaire”, as shown and described.

**DESCRIPTION**

FIG. 1 is a perspective view showing my design;  
FIG. 2 is a front elevational view thereof;  
FIG. 3 is a rear elevational view thereof;  
FIG. 4 is a right side elevational view thereof;  
FIG. 5 is a left side elevational view thereof;  
FIG. 6 is a top plan view thereof; and,  
FIG. 7 is a bottom plan view thereof.

**1 Claim, 5 Drawing Sheets**



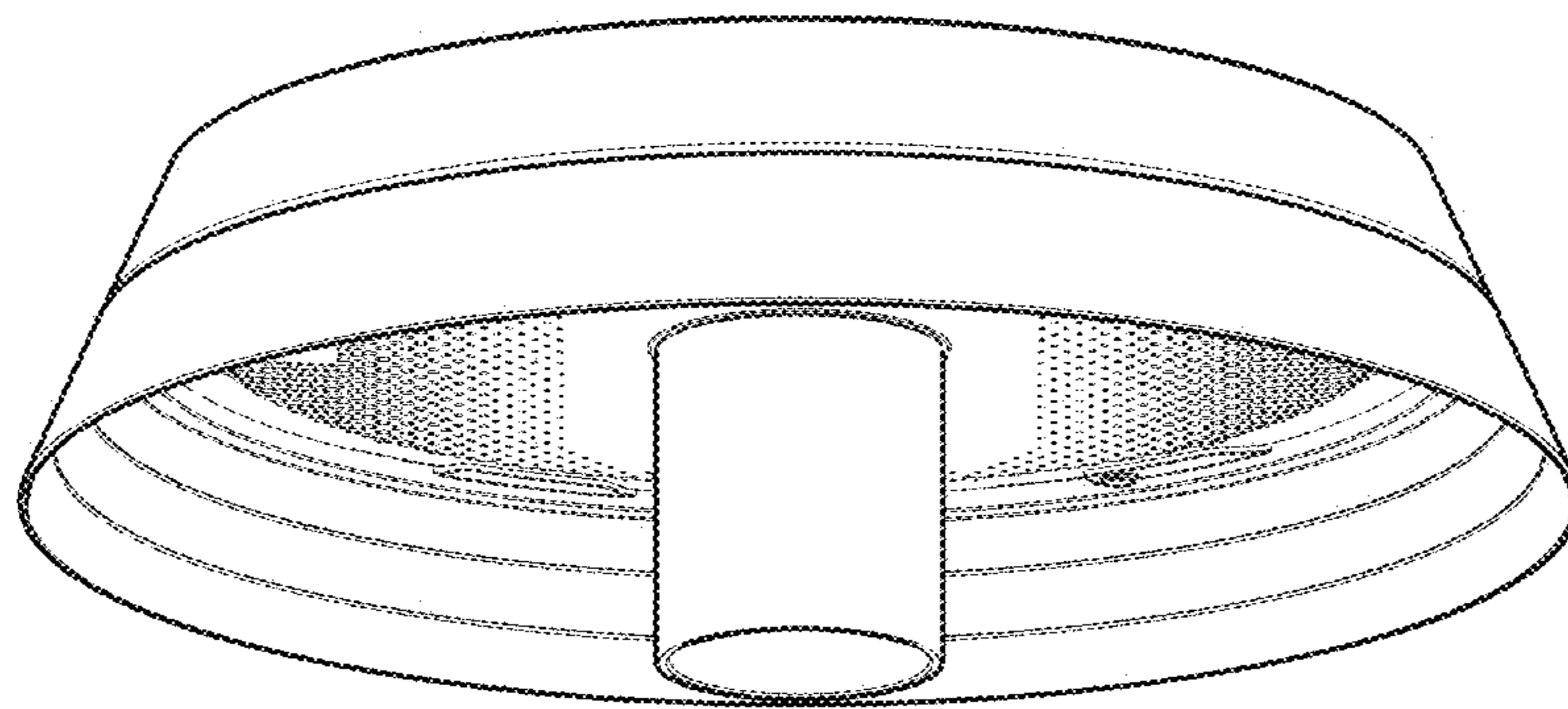


FIG.1

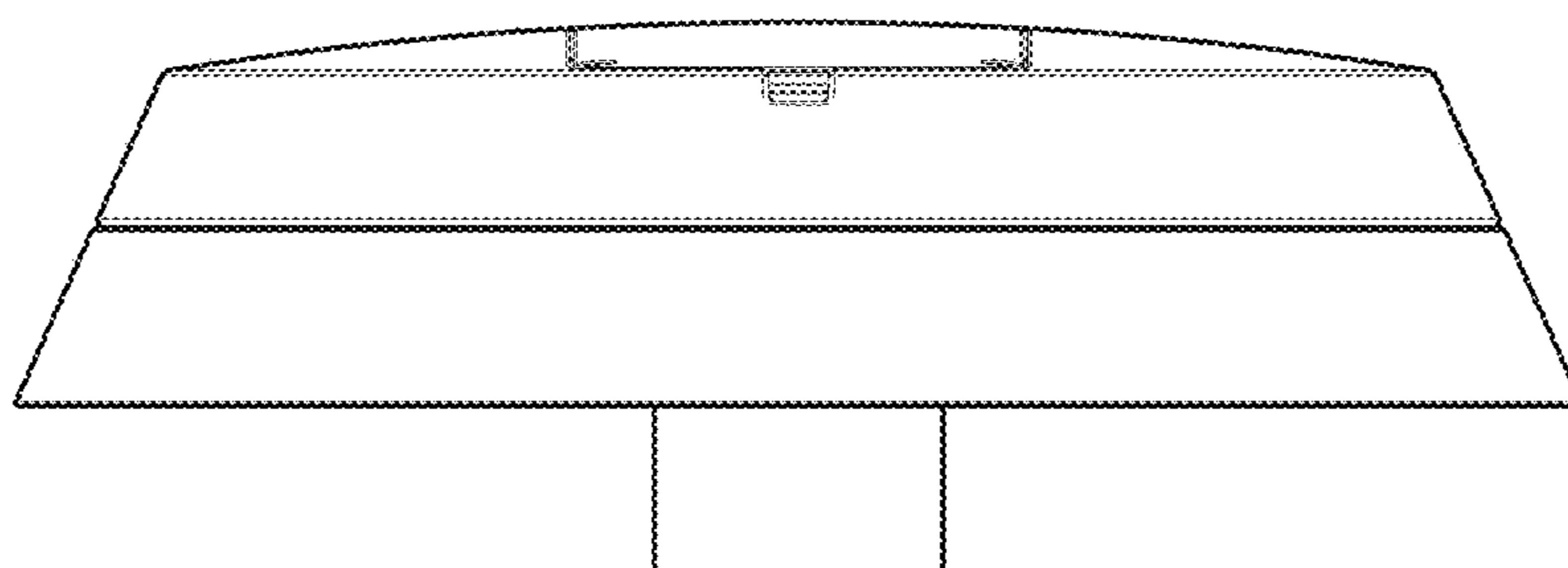


FIG. 2

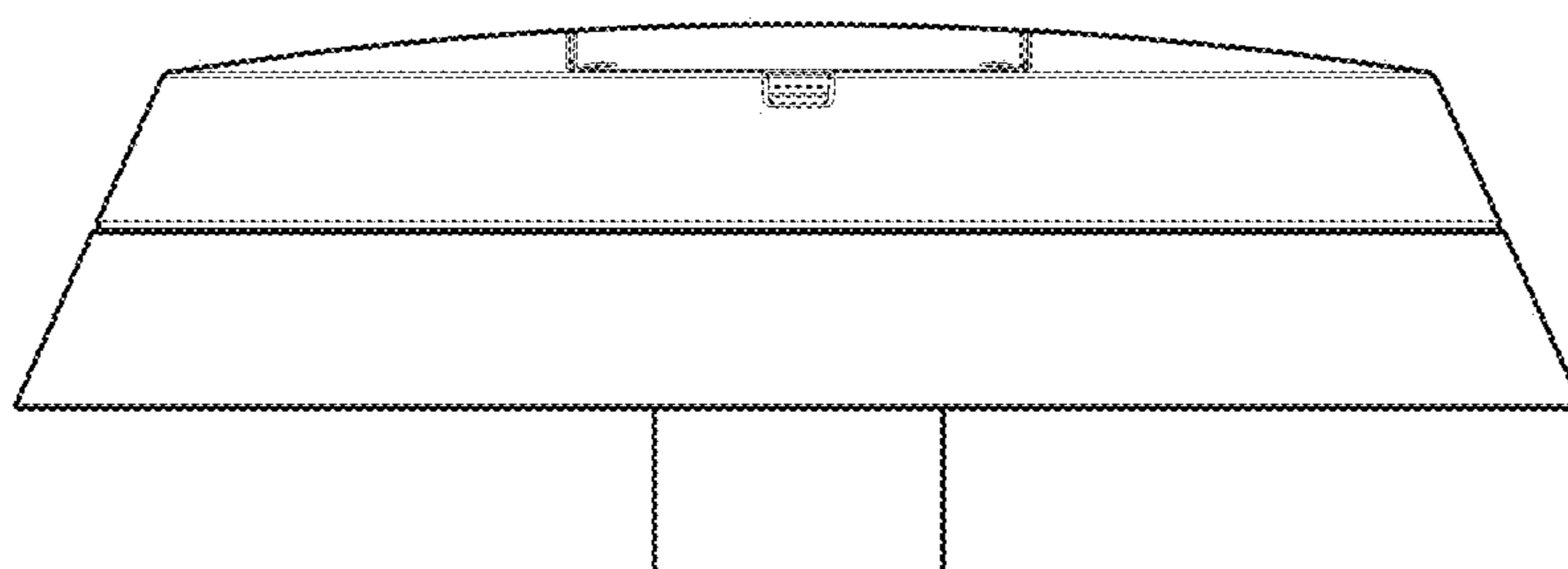


FIG. 3

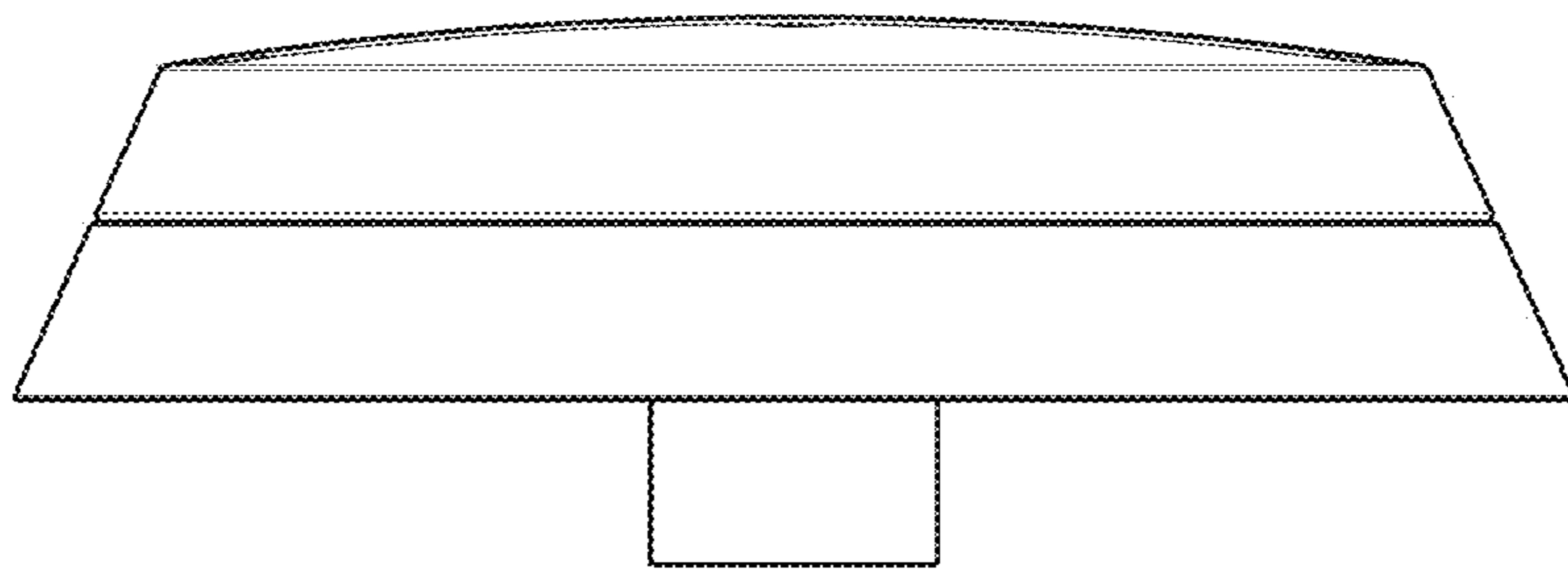


FIG. 4

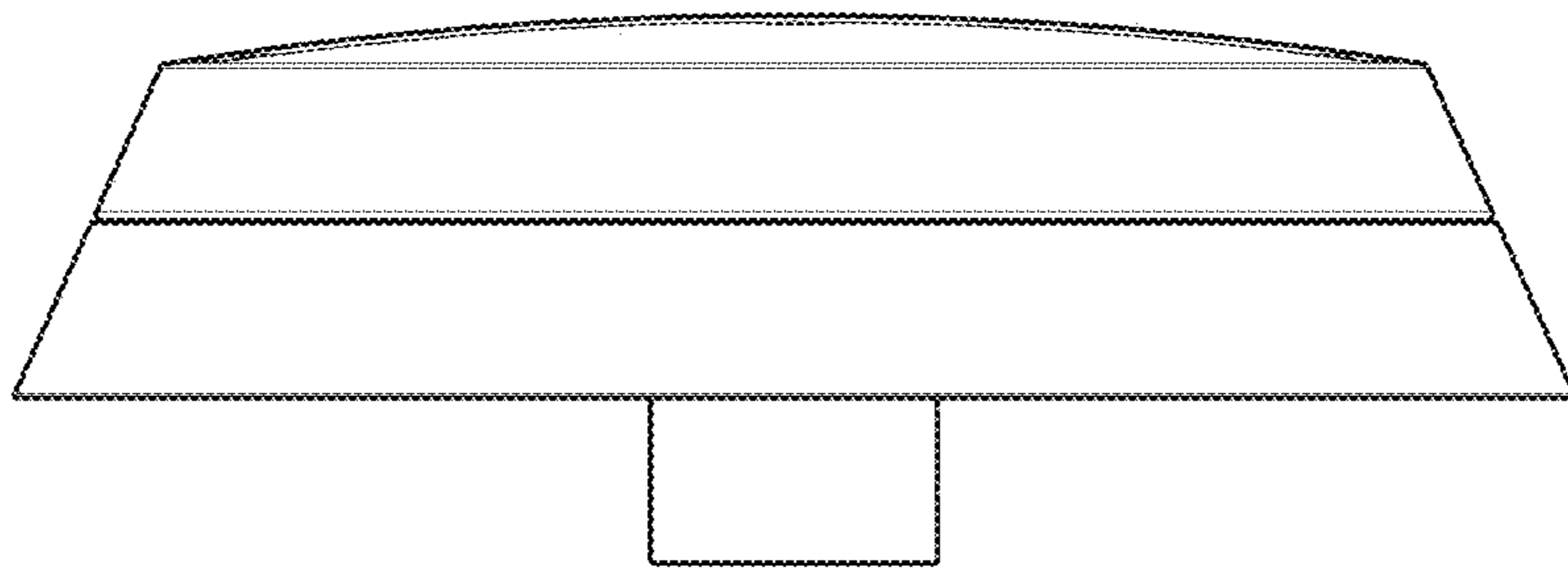


FIG. 5

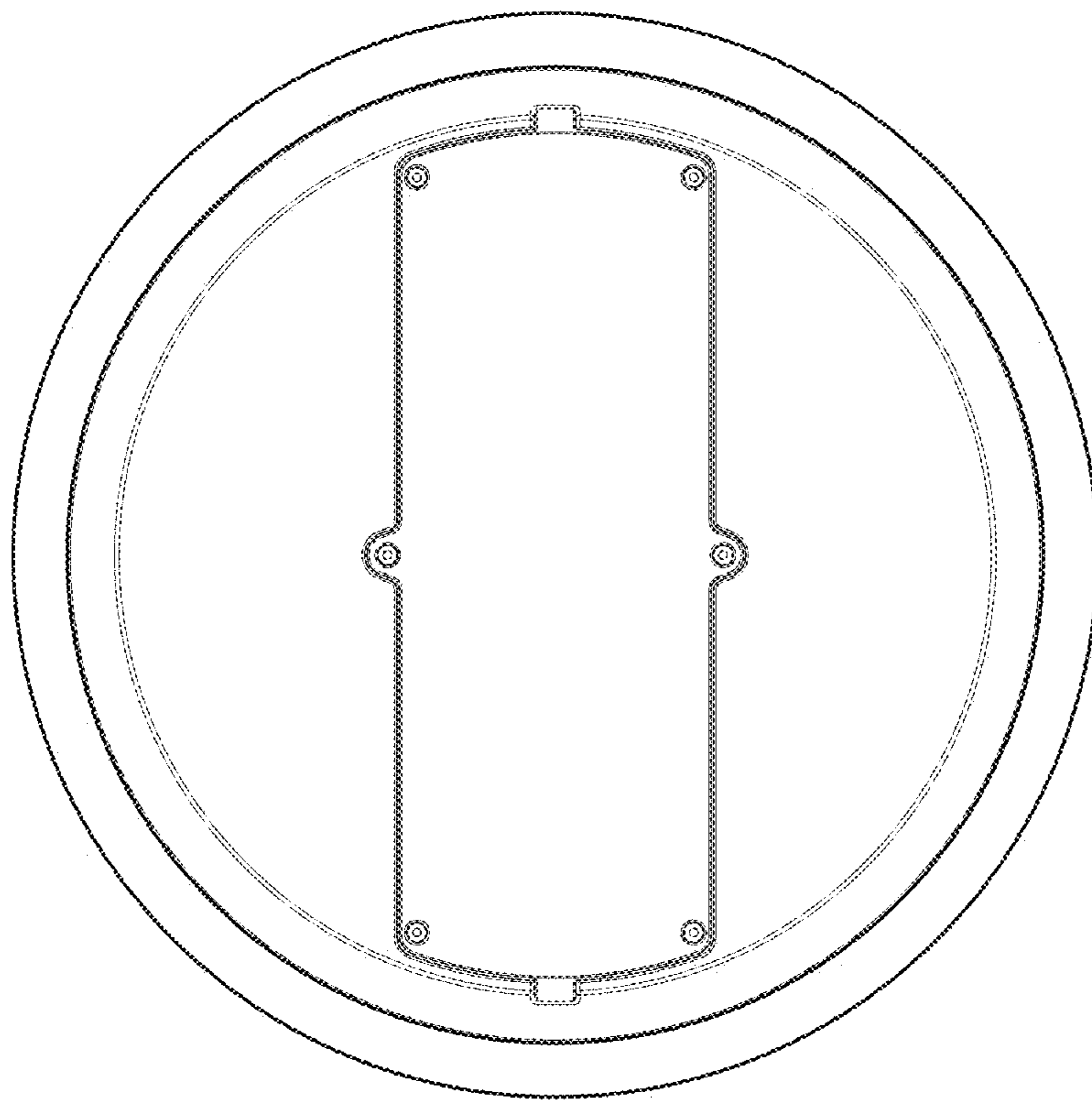


FIG. 6

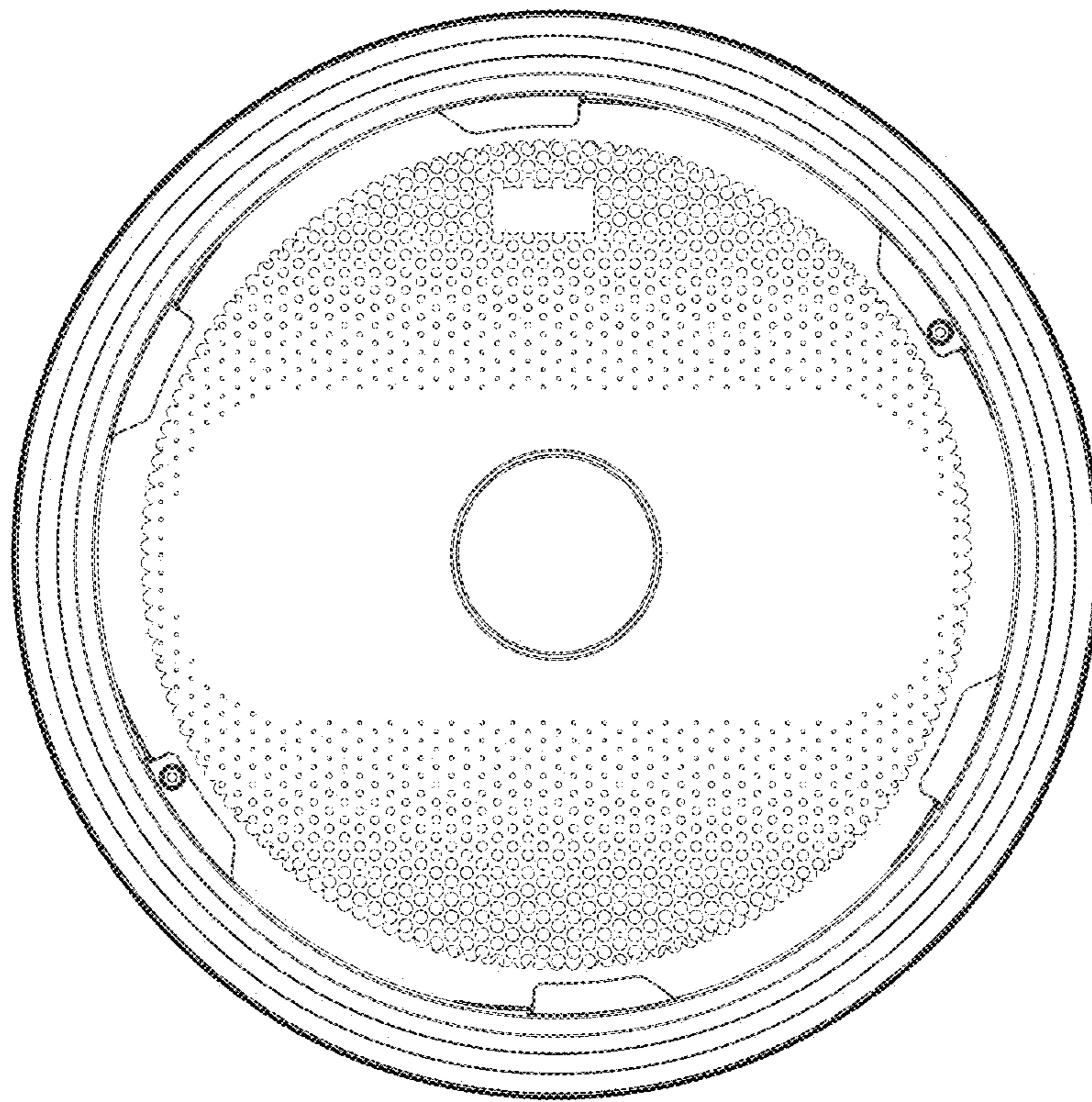


FIG. 7