



US00D869721S

(12) **United States Design Patent**
Recker et al.

(10) **Patent No.:** **US D869,721 S**

(45) **Date of Patent:** **** Dec. 10, 2019**

(54) **FLOOD LIGHT**

(71) Applicant: **A9.com, Inc.**, Palo Alto, CA (US)

(72) Inventors: **Michael V. Recker**, Gaithersburg, MD (US); **David B. Levine**, Pepper Pike, OH (US); **Ryan D. Hruska**, North Royalton, OH (US); **Alexsandra M. Bowers**, Mayfield, OH (US)

(73) Assignee: **A9.com, Inc.**, Palo Alto, CA (US)

(**) Term: **15 Years**

(21) Appl. No.: **29/632,539**

(22) Filed: **Jan. 8, 2018**

(51) **LOC (12) Cl.** **26-03**

(52) **U.S. Cl.**
USPC **D26/63**

(58) **Field of Classification Search**
USPC D26/24, 51, 61, 63, 65, 72, 80
CPC F21S 8/04; F21S 8/00; F21V 21/00; F21V 17/02; F21V 14/02; F21V 21/30; F21V 21/14; F21V 21/26; F21W 2131/10
See application file for complete search history.

(56) **References Cited**

U.S. PATENT DOCUMENTS

5,258,899	A	*	11/1993	Chen	F21V 17/02 362/394
5,381,323	A	*	1/1995	Osteen	F21V 17/02 340/567
D361,149	S	*	8/1995	Wedell	D26/63
5,649,761	A	*	7/1997	Sandell	F21V 17/02 362/276
D441,113	S	*	4/2001	Small	D26/63
D713,579	S	*	9/2014	Chen	D26/63
D713,581	S	*	9/2014	Chen	D26/63
D713,582	S	*	9/2014	Liang	D26/63

D742,053	S	*	10/2015	Sussman	D26/63
D745,201	S	*	12/2015	Lee	D26/63
D765,901	S	*	9/2016	Chen	D26/63
D774,231	S	*	12/2016	Recker	D26/63

OTHER PUBLICATIONS

Korean Office Action dated Apr. 17, 2019 for Korean Patent Application No. 30/2018-31148, a counterpart of U.S. Appl. No. 29/632,539, 2 pages.

* cited by examiner

Primary Examiner — Brian N. Vinson

(74) *Attorney, Agent, or Firm* — Lee & Hayes, P.C.

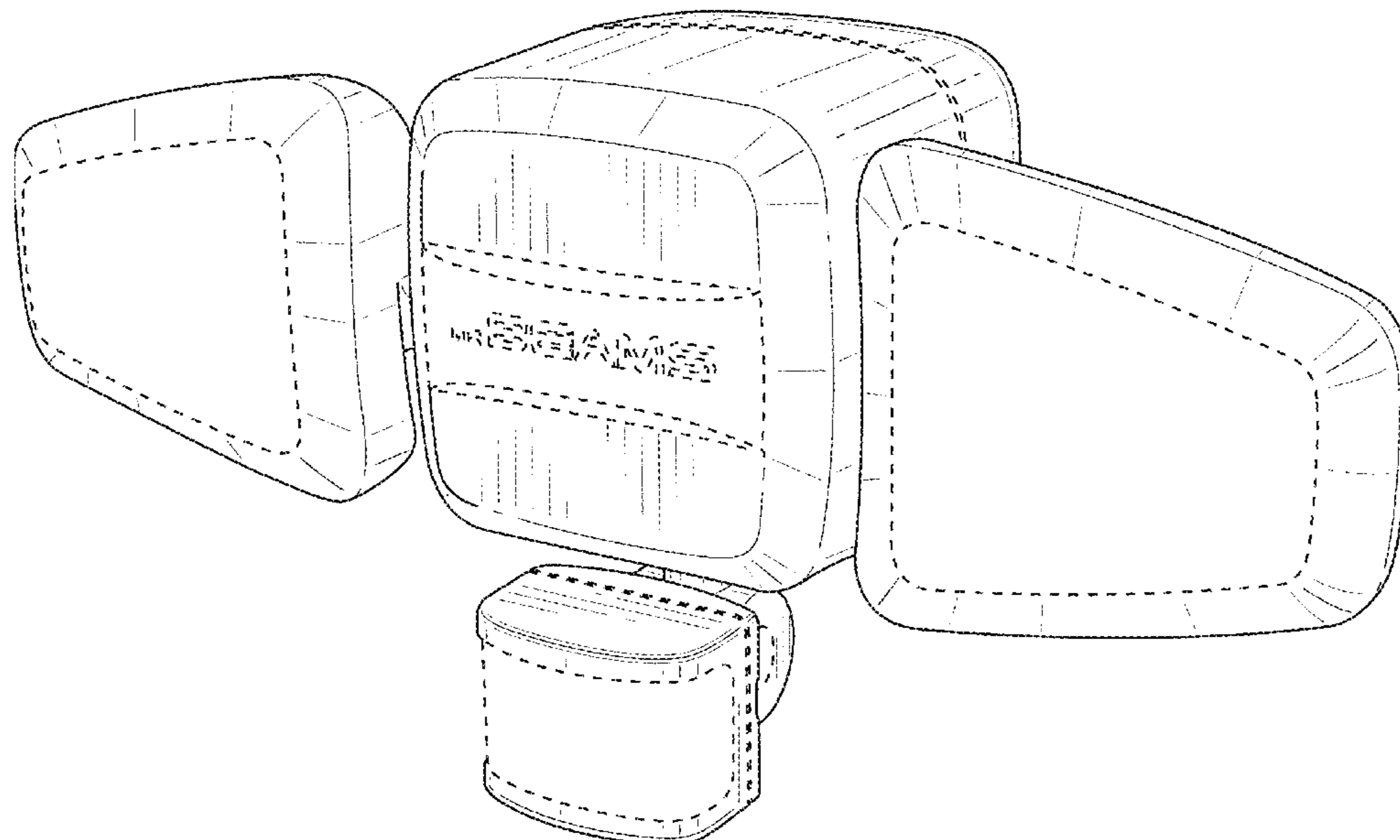
(57) **CLAIM**

The ornamental design for a flood light, as shown and described.

DESCRIPTION

FIG. 1 is a front, right, top perspective view of a flood light showing our new design;
FIG. 2 is a rear, left, bottom perspective view thereof;
FIG. 3 is a front, left, bottom perspective view thereof;
FIG. 4 is a rear, right, bottom perspective view thereof;
FIG. 5 is a rear, right, top perspective view thereof;
FIG. 6 is a front elevation view thereof;
FIG. 7 is a rear elevation view thereof;
FIG. 8 is a left side view thereof;
FIG. 9 is a right side view thereof;
FIG. 10 is a top plan view thereof; and,
FIG. 11 is a bottom plan view thereof.
The broken lines shown in the drawings depict portions of the flood light that form no part of the claimed design.

1 Claim, 11 Drawing Sheets



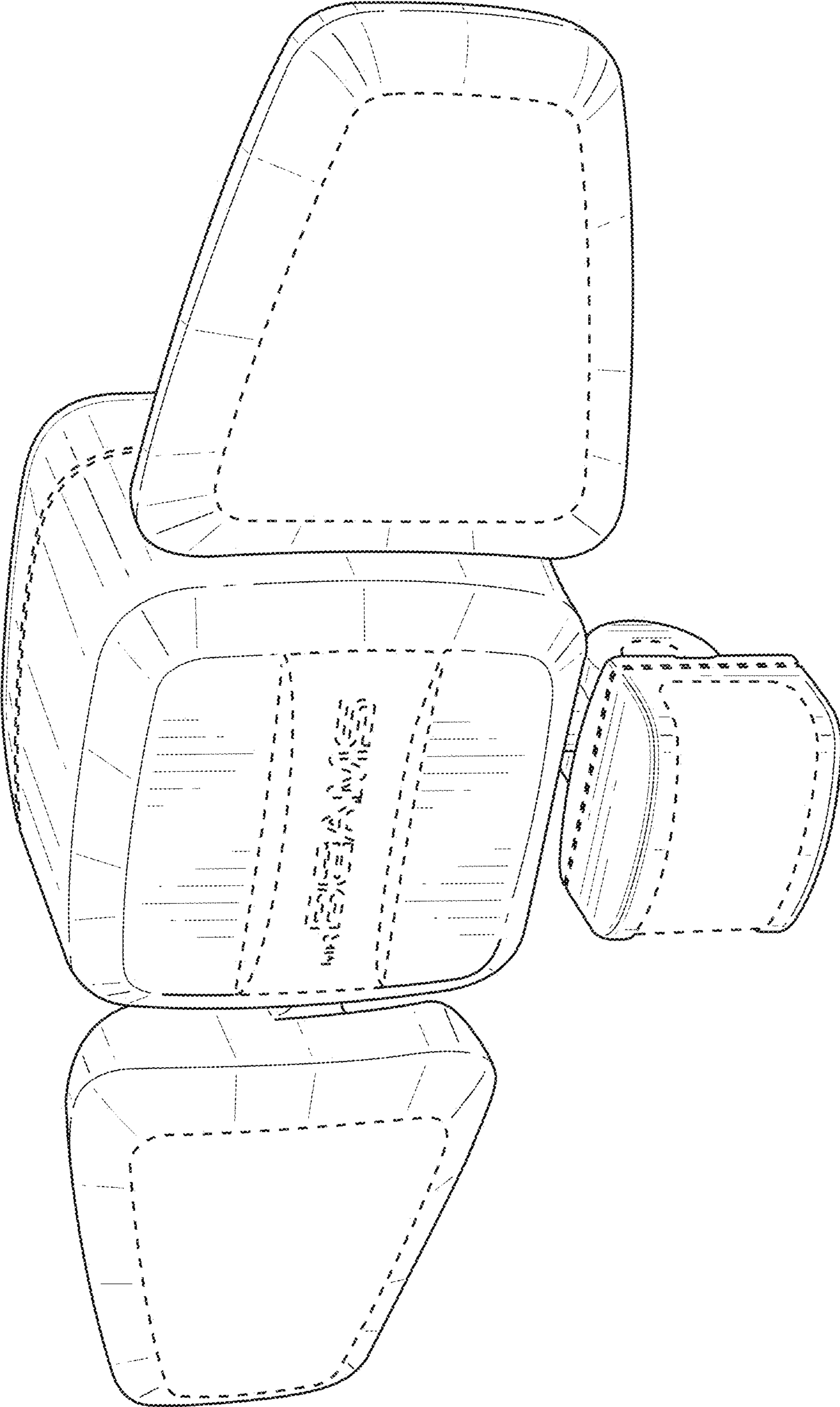


FIG. 1

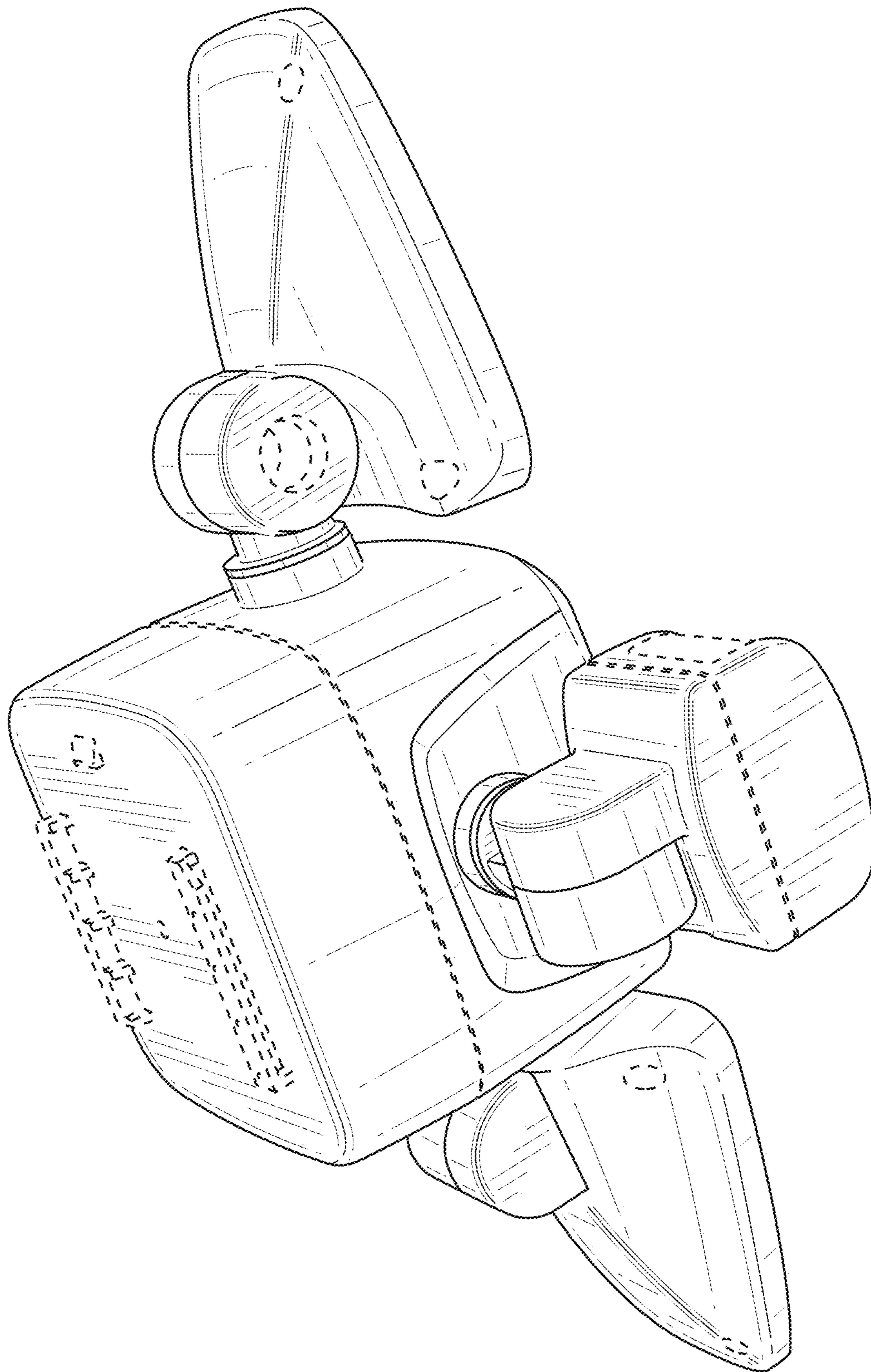


FIG. 2

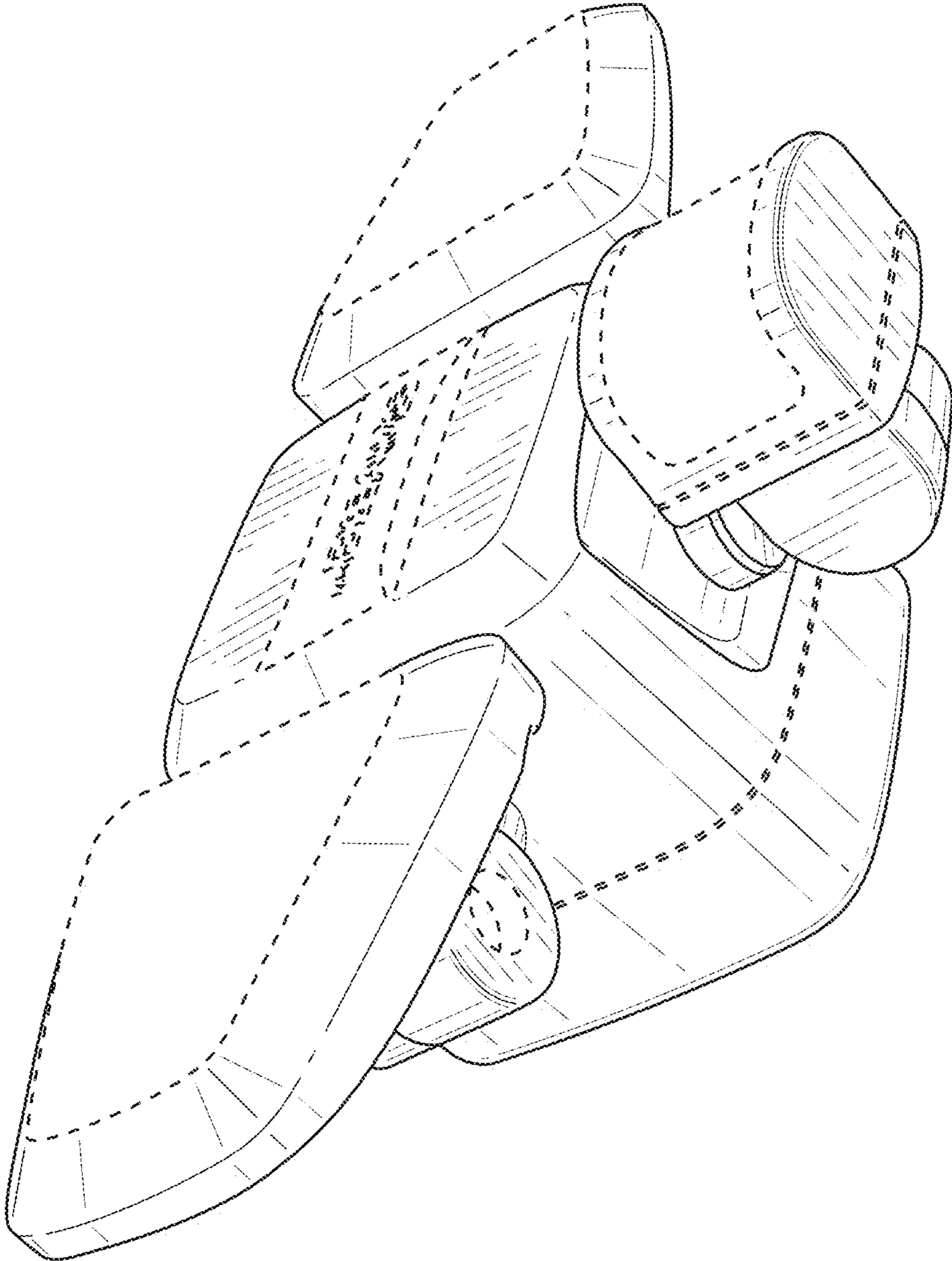


FIG. 3

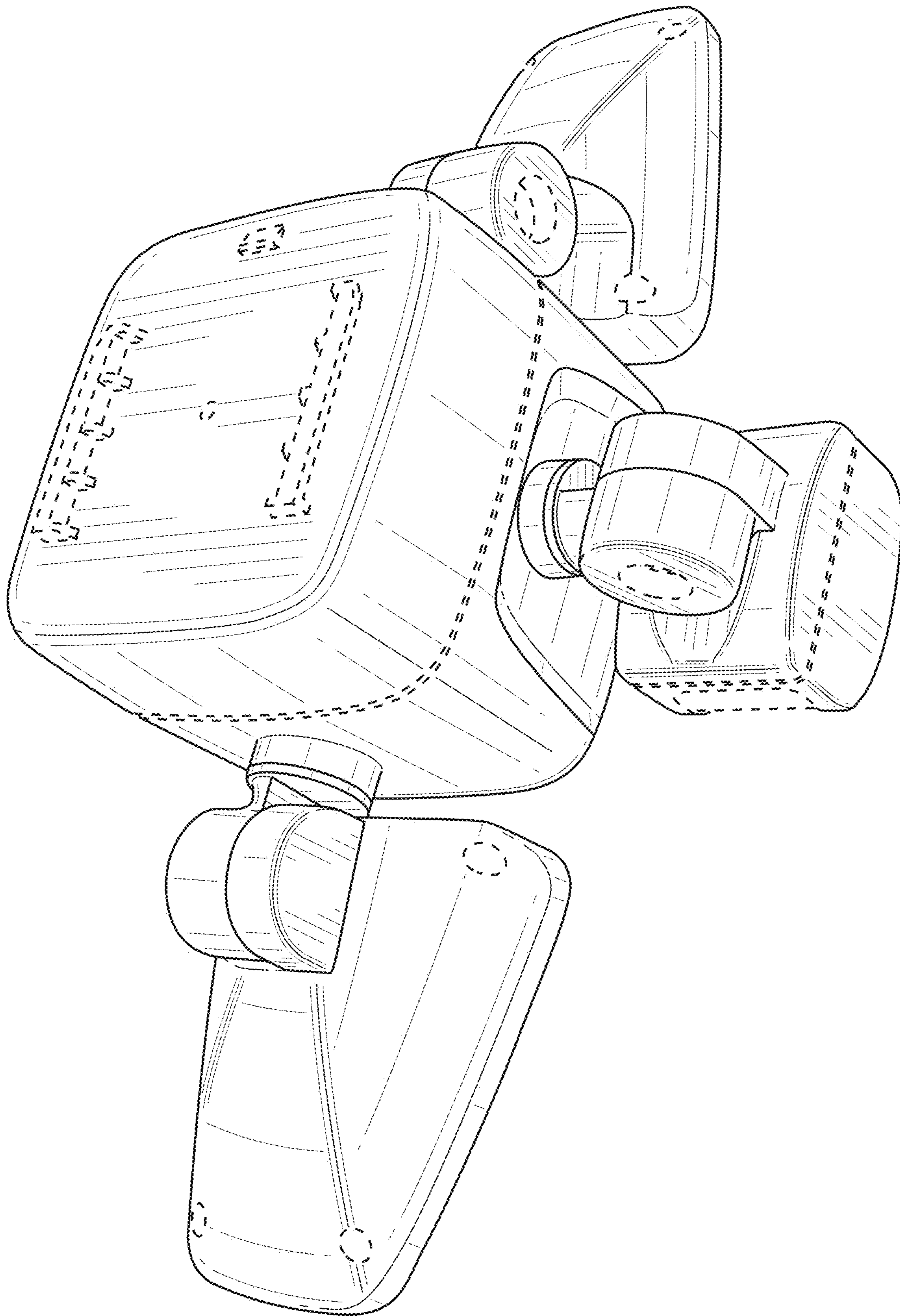


FIG. 4

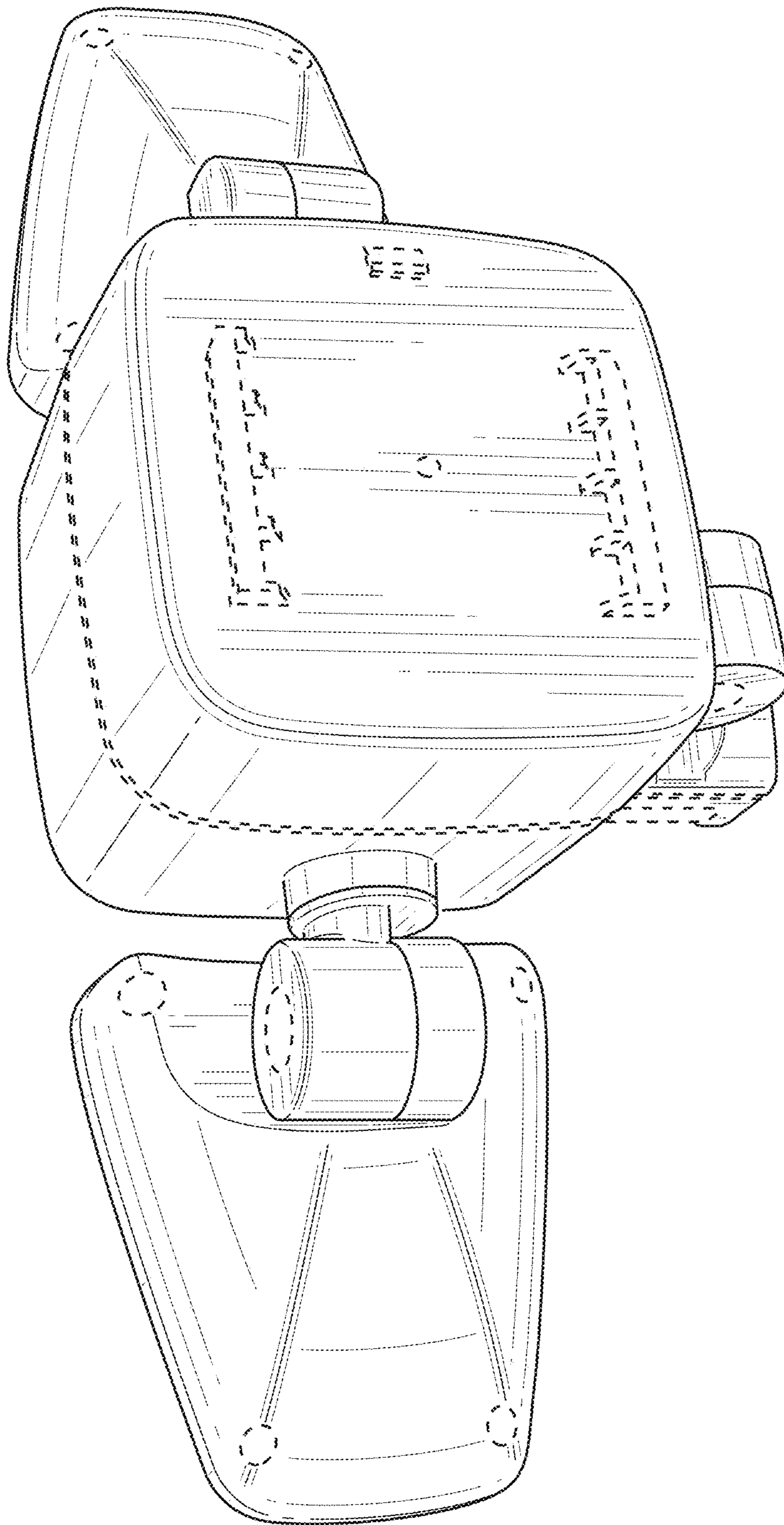


FIG. 5

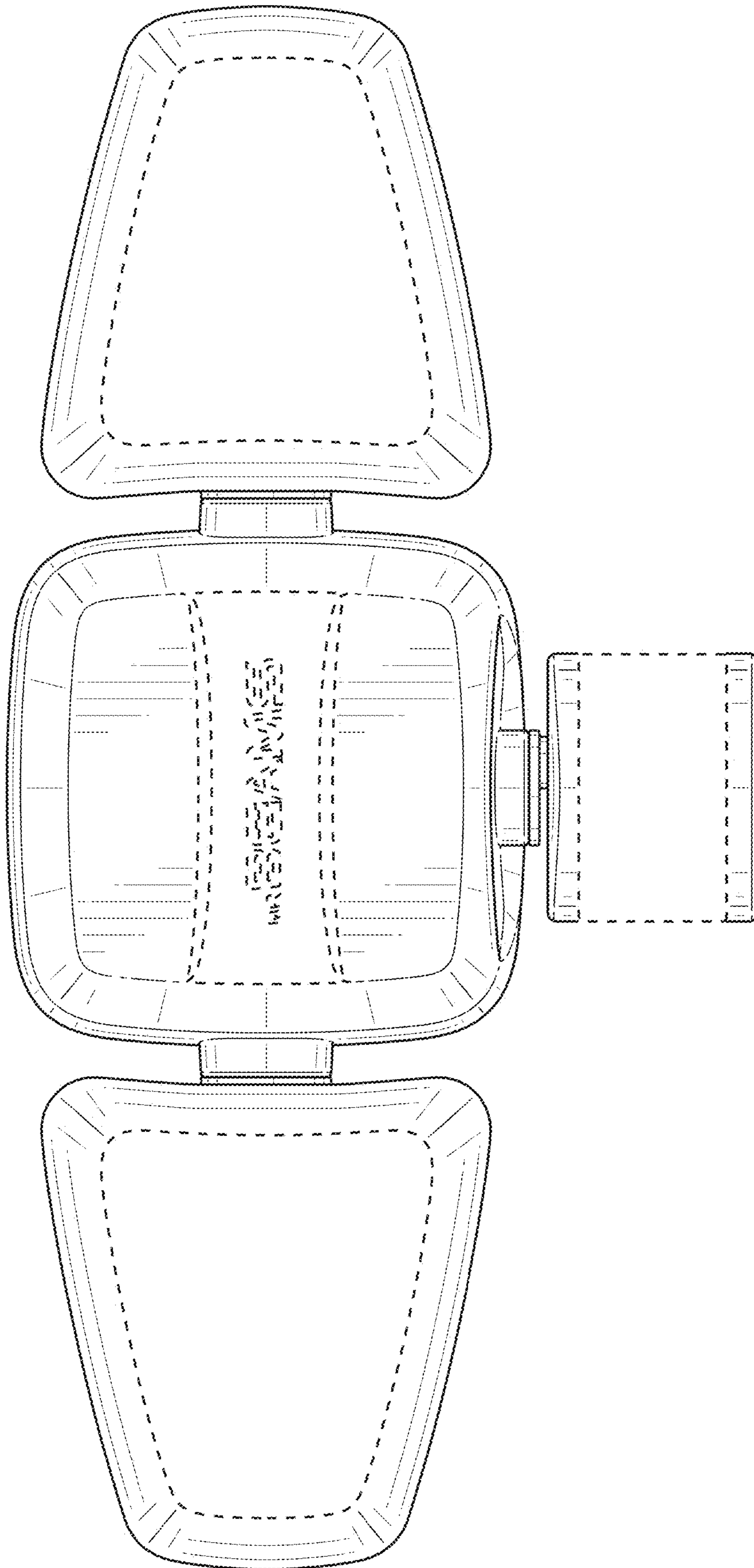


FIG. 6

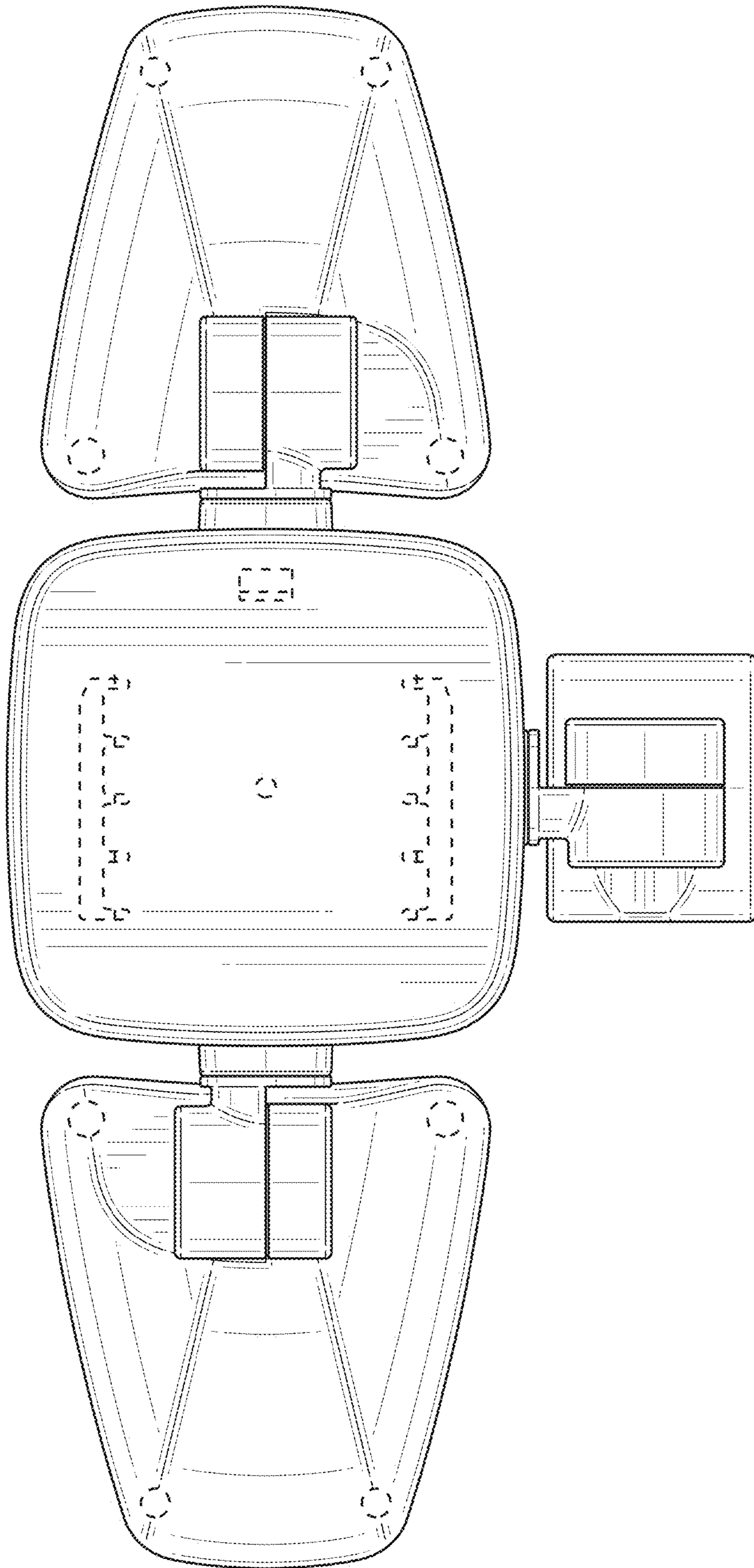


FIG. 7

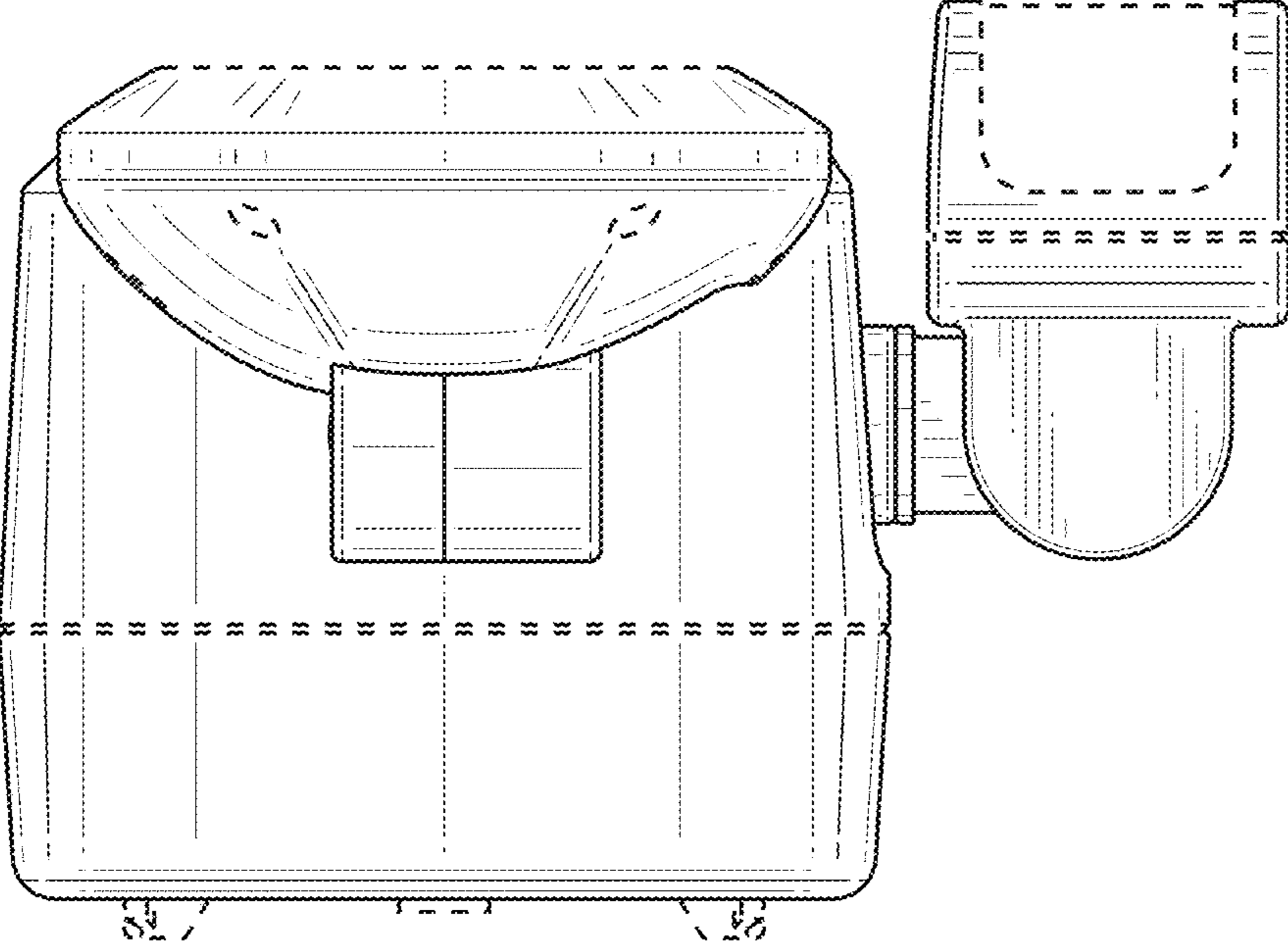


FIG. 8

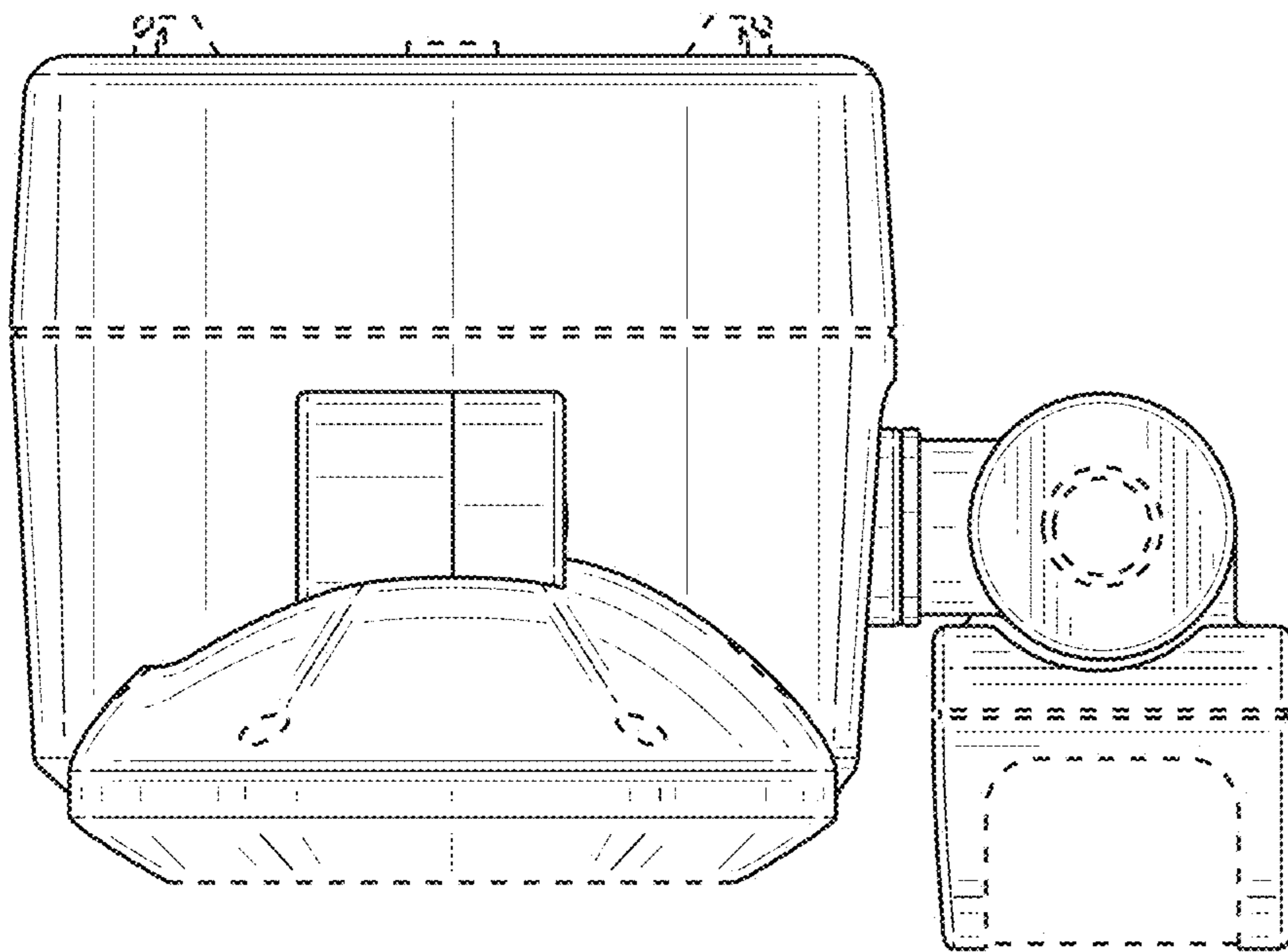


FIG. 9

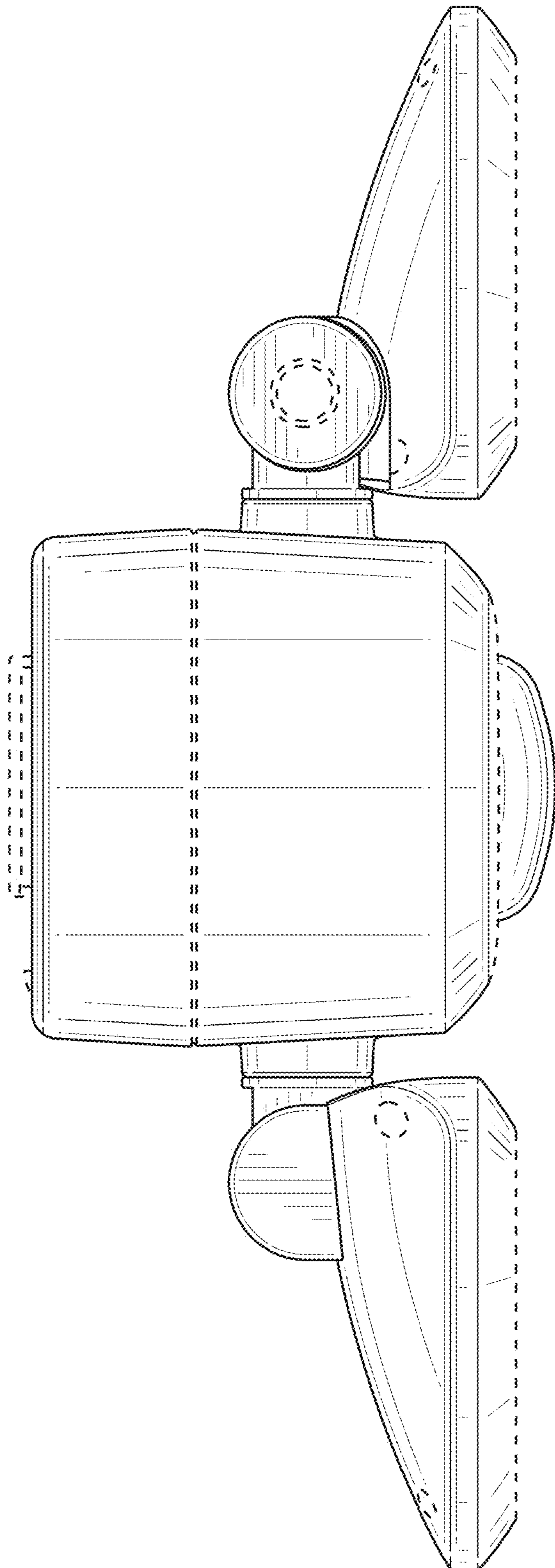


FIG. 10

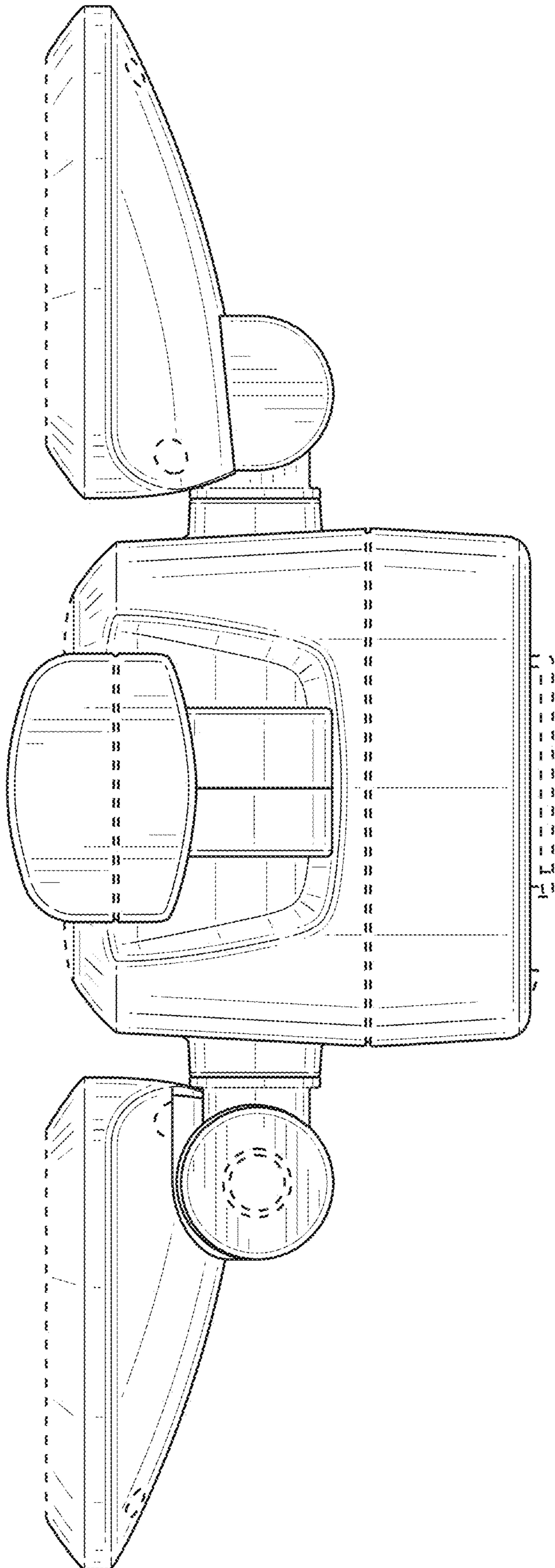


FIG. 11