



US00D869720S

(12) **United States Design Patent** (10) **Patent No.:** **US D869,720 S**
Recker et al. (45) **Date of Patent:** **** Dec. 10, 2019**

(54) **FLOOD LIGHT**

(71) Applicant: **A9.com, Inc.**, Palo Alto, CA (US)

(72) Inventors: **Michael V. Recker**, Gaighersburg, MD (US); **David B. Levine**, Pepper Pike, OH (US); **Ryan D. Hruska**, North Royalton, OH (US); **Christopher Loew**, Palo Alto, CA (US); **Alexsandra M. Bowers**, Mayfield, OH (US)

(73) Assignee: **A9.com, Inc.**, Palo Alto, CA (US)

(**) Term: **15 Years**

(21) Appl. No.: **29/632,500**

(22) Filed: **Jan. 8, 2018**

(51) **LOC (12) Cl.** **26-03**

(52) **U.S. Cl.**
USPC **D26/63**

(58) **Field of Classification Search**
USPC D26/24, 51, 61, 63, 65, 72, 80
CPC F21S 8/04; F21S 8/00; F21V 21/00; F21V 17/02; F21V 14/02; F21V 21/30; F21V 21/14; F21V 21/26; F21W 2131/10
See application file for complete search history.

(56) **References Cited**

U.S. PATENT DOCUMENTS

5,258,899 A * 11/1993 Chen F21V 17/02
362/394
5,381,323 A * 1/1995 Osteen F21V 17/02
340/567
D361,149 S * 8/1995 Wedell D26/63
5,649,761 A * 7/1997 Sandell F21V 17/02
362/276

D441,113 S * 4/2001 Small D26/63
D713,579 S * 9/2014 Chen D26/63
D713,581 S * 9/2014 Chen D26/63
D713,582 S * 9/2014 Liang D26/63
D742,053 S * 10/2015 Sussman D26/63
D745,201 S * 12/2015 Lee D26/63
D765,901 S * 9/2016 Chen D26/63
D774,231 S * 12/2016 Recker D26/63

OTHER PUBLICATIONS

Korean Office Action dated Apr. 17, 2019 for Korean Patent Application No. 30-2018-31147, a counterpart of U.S. Appl. No. 29/632,500, 2 pages.

* cited by examiner

Primary Examiner — Brian N. Vinson

(74) *Attorney, Agent, or Firm* — Lee & Hayes, P.C.

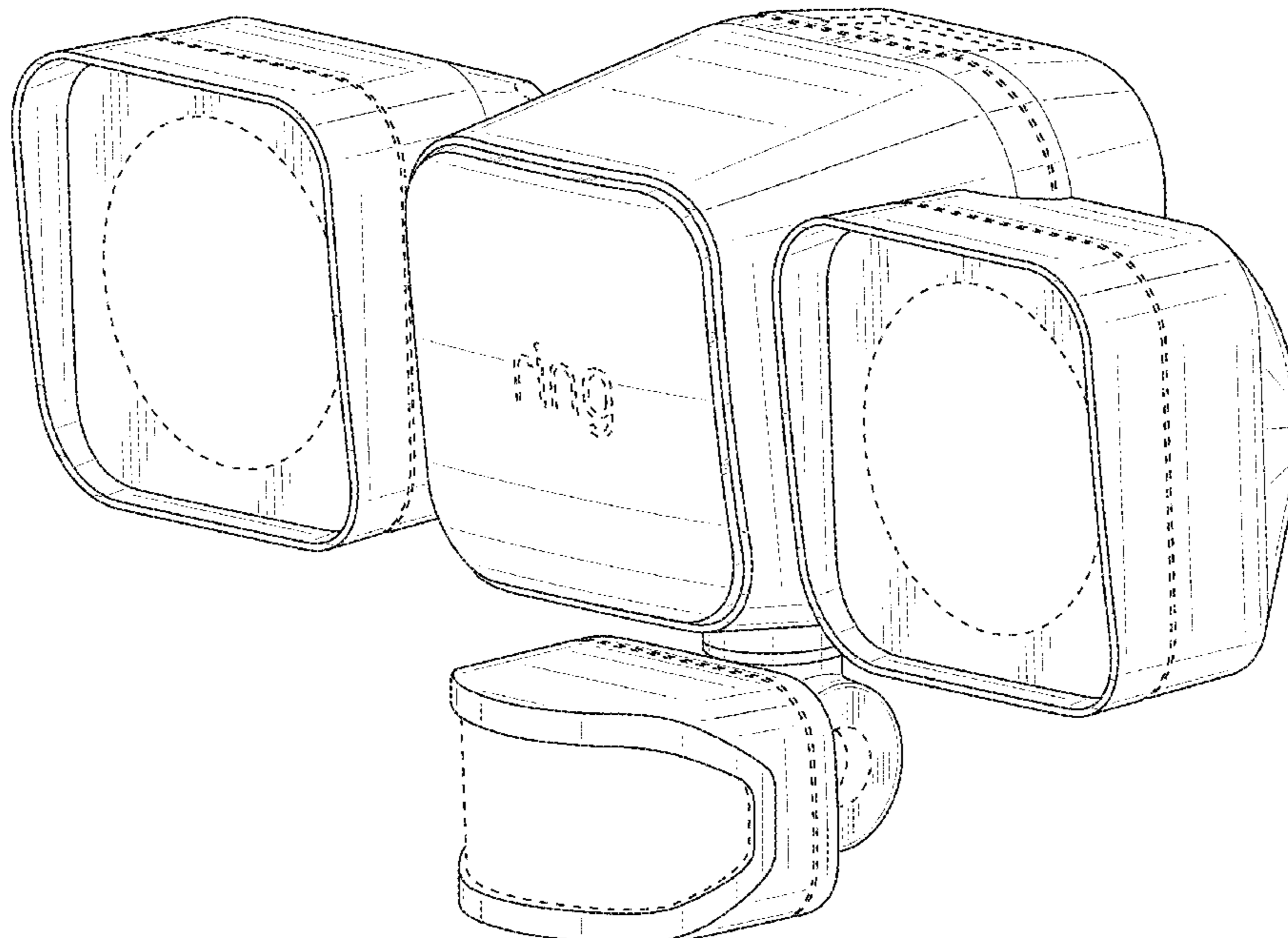
(57) **CLAIM**

The ornamental design for a flood light, as shown and described.

DESCRIPTION

FIG. 1 is a front, right, top perspective view of a flood light showing our new design;
FIG. 2 is a rear, left, bottom perspective view thereof;
FIG. 3 is a front, left, bottom perspective view thereof;
FIG. 4 is a rear, right, top perspective view thereof;
FIG. 5 is a front elevation view thereof;
FIG. 6 is a rear elevation view thereof;
FIG. 7 is a left side view thereof;
FIG. 8 is a right side view thereof;
FIG. 9 is a top plan view thereof; and,
FIG. 10 is a bottom plan view thereof.
The broken lines shown in the drawings depict portions of the flood light that form no part of the claimed design.

1 Claim, 10 Drawing Sheets



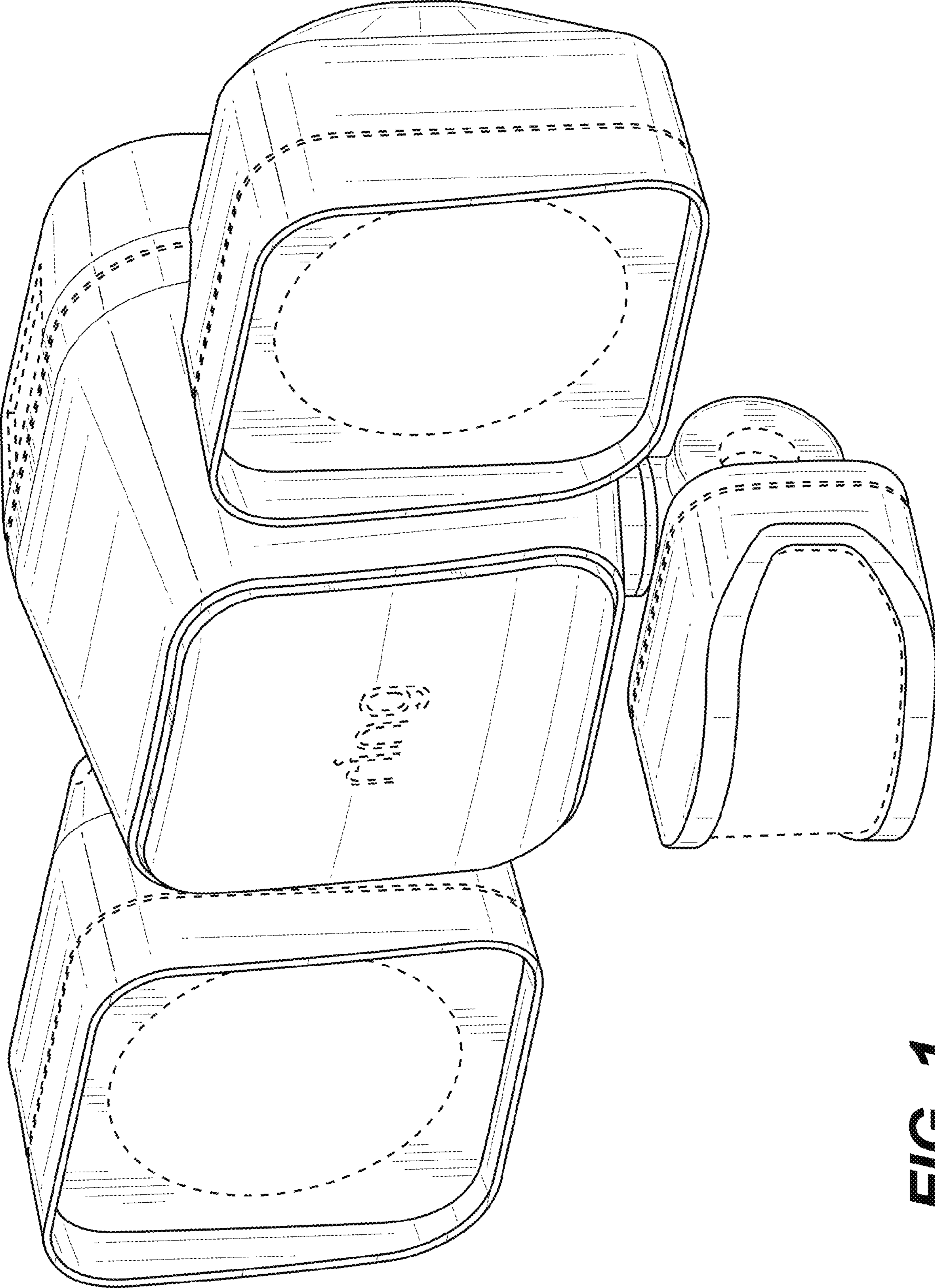


FIG. 1

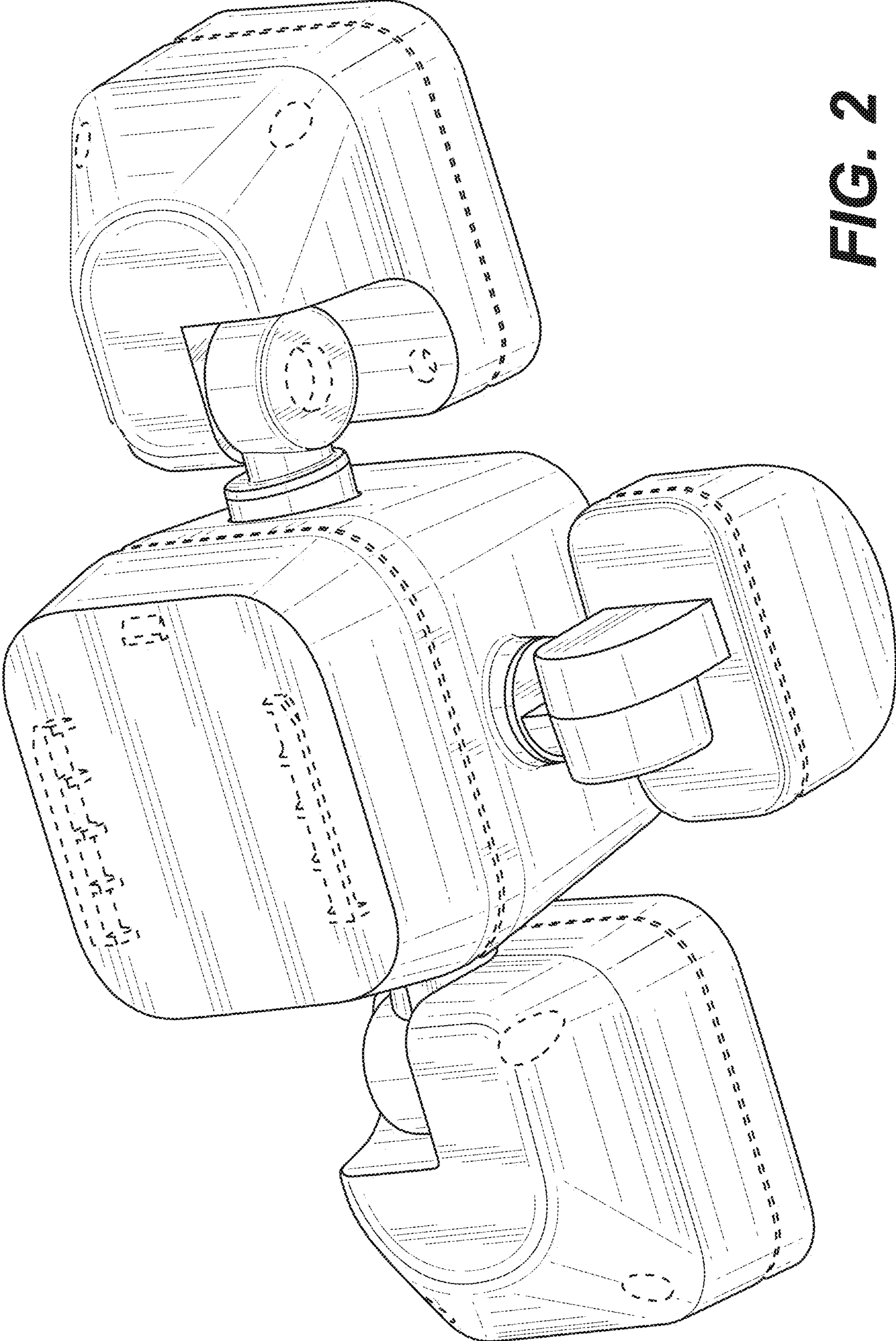


FIG. 2

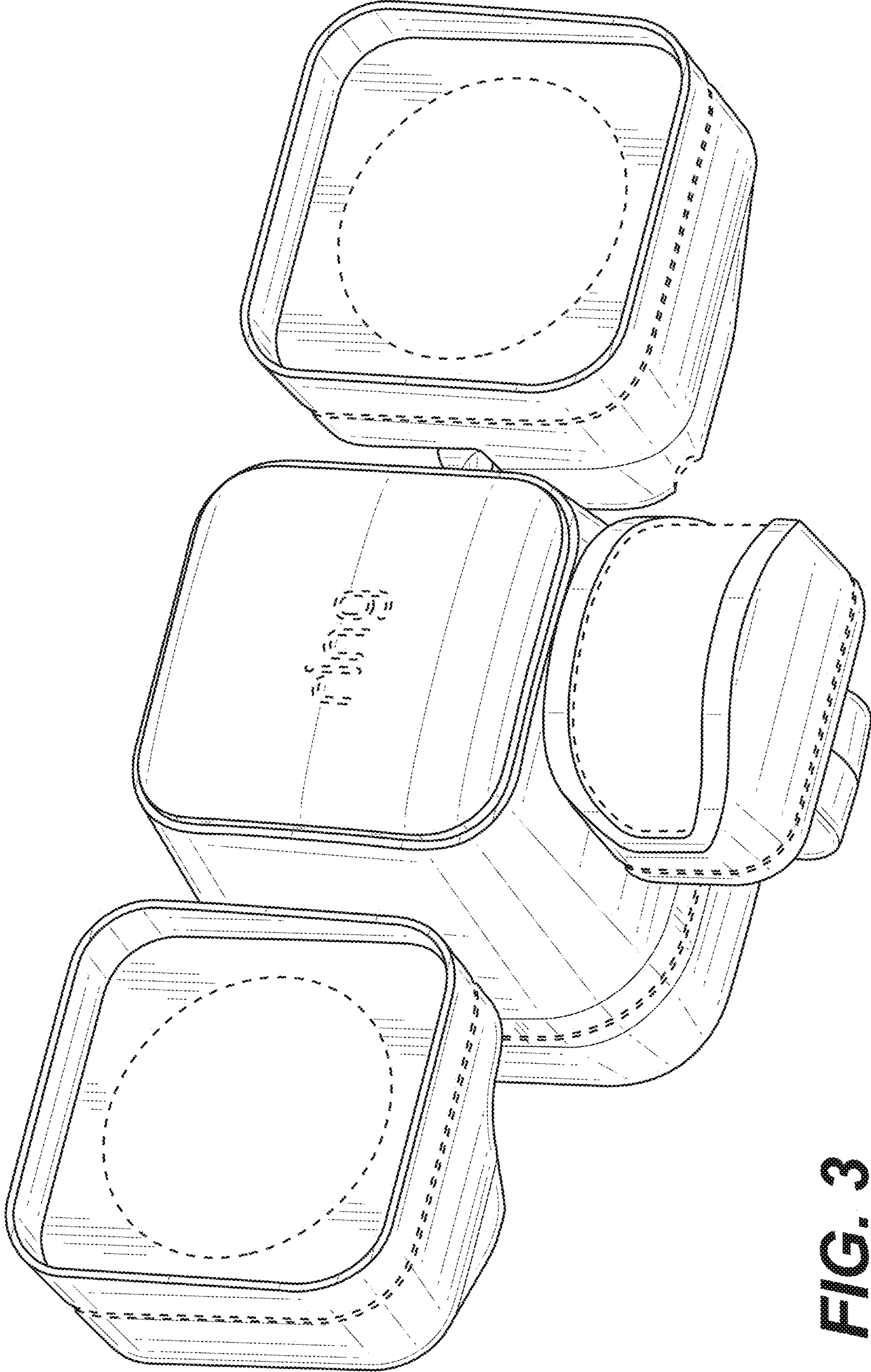


FIG. 3

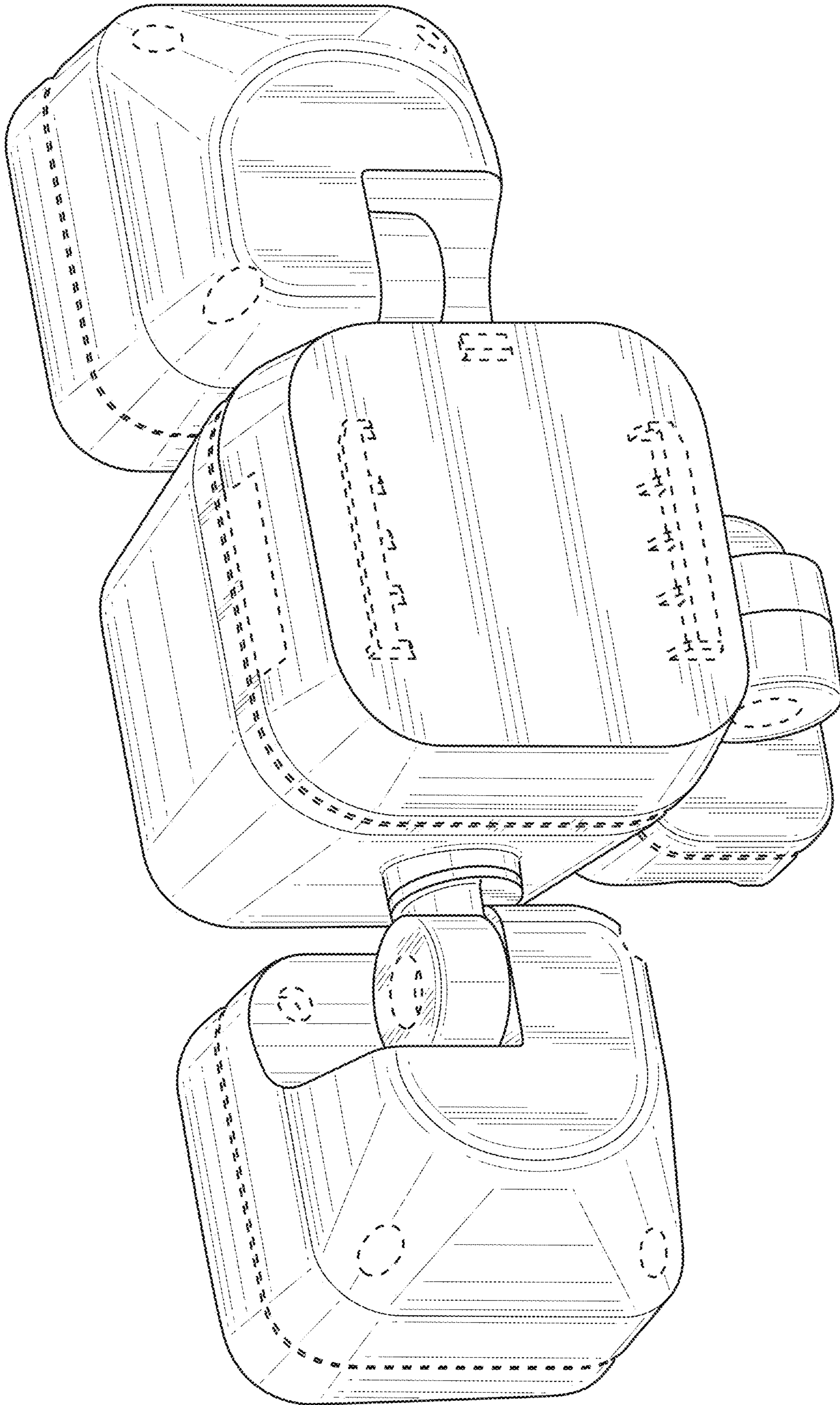


FIG. 4

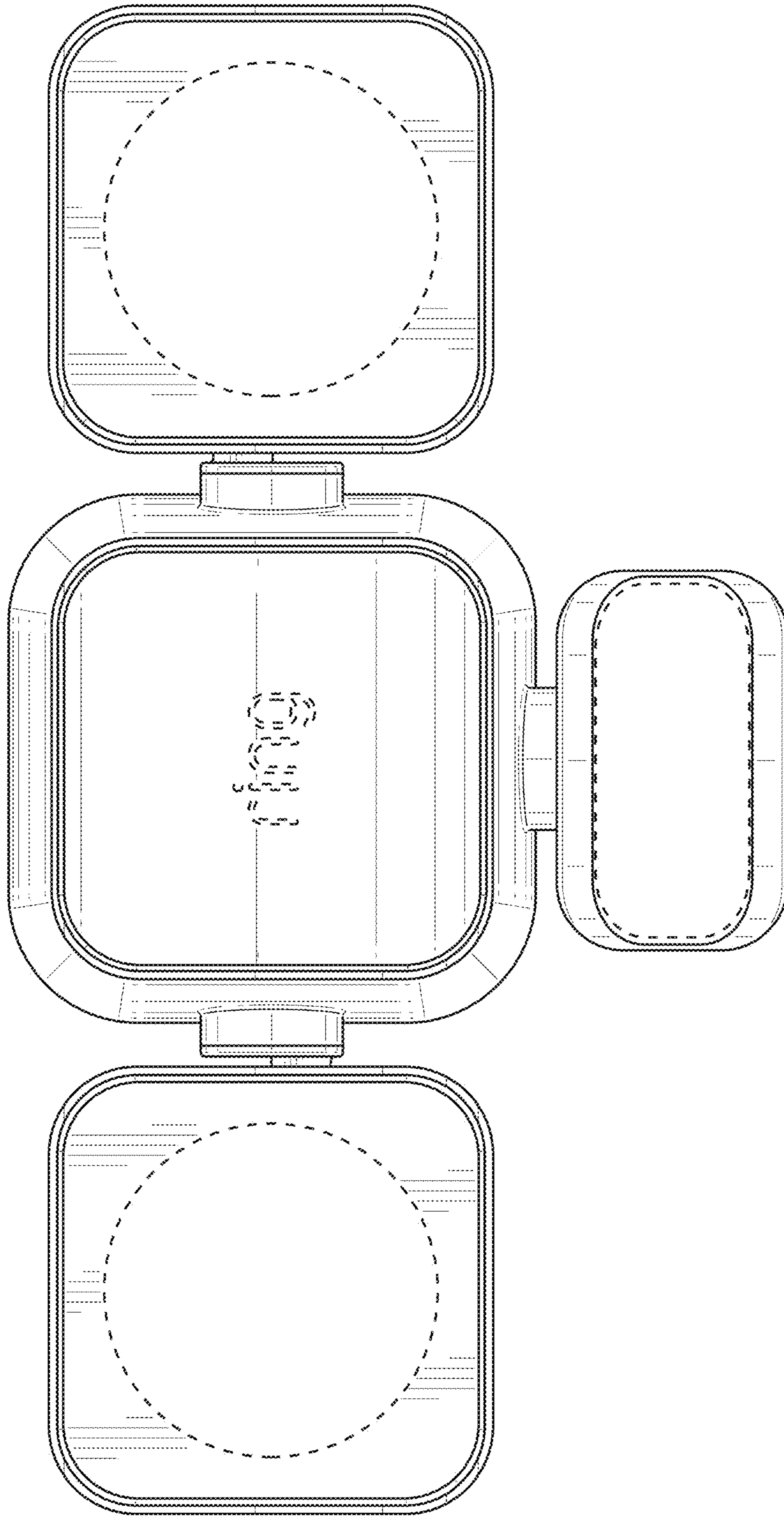


FIG. 5

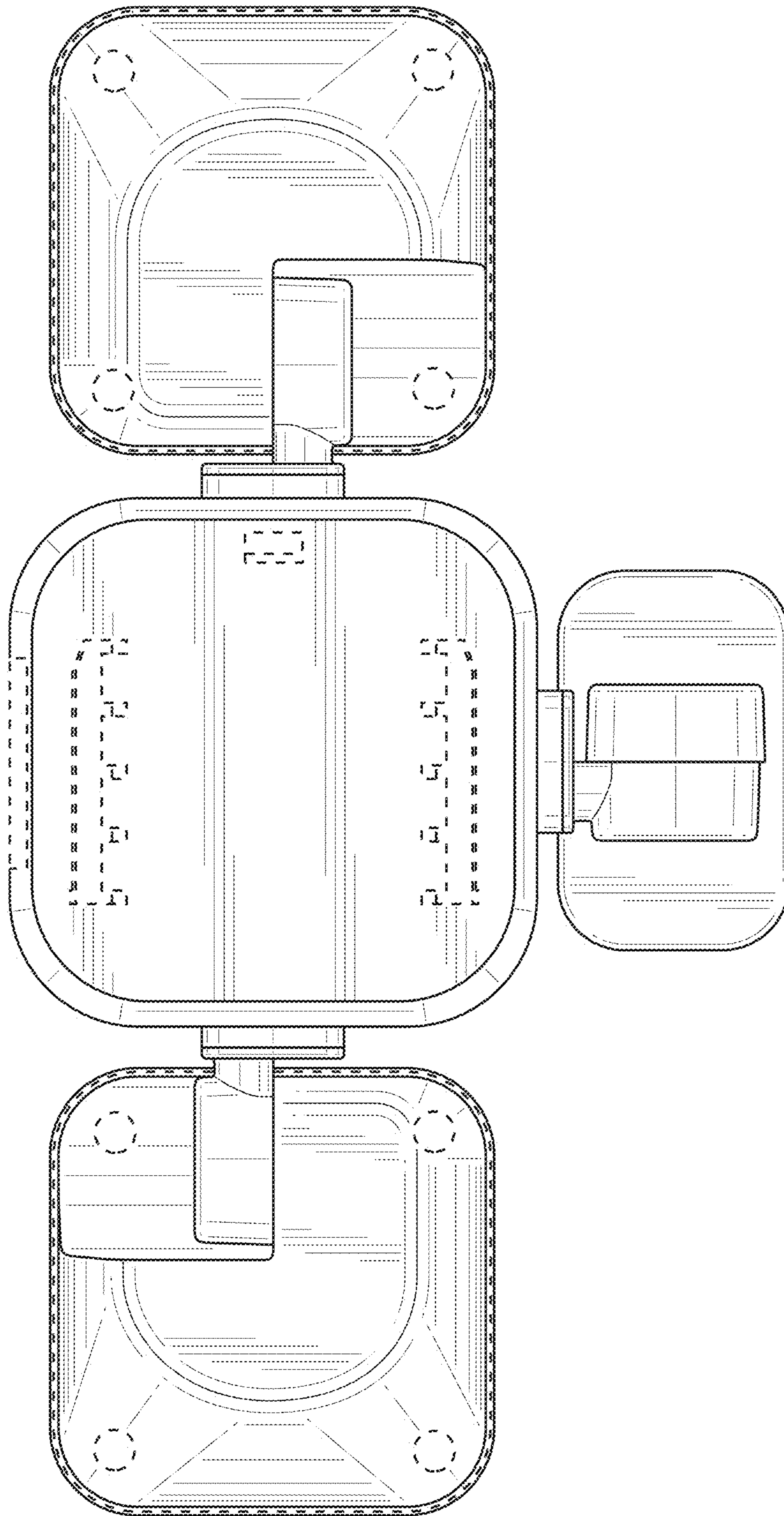


FIG. 6

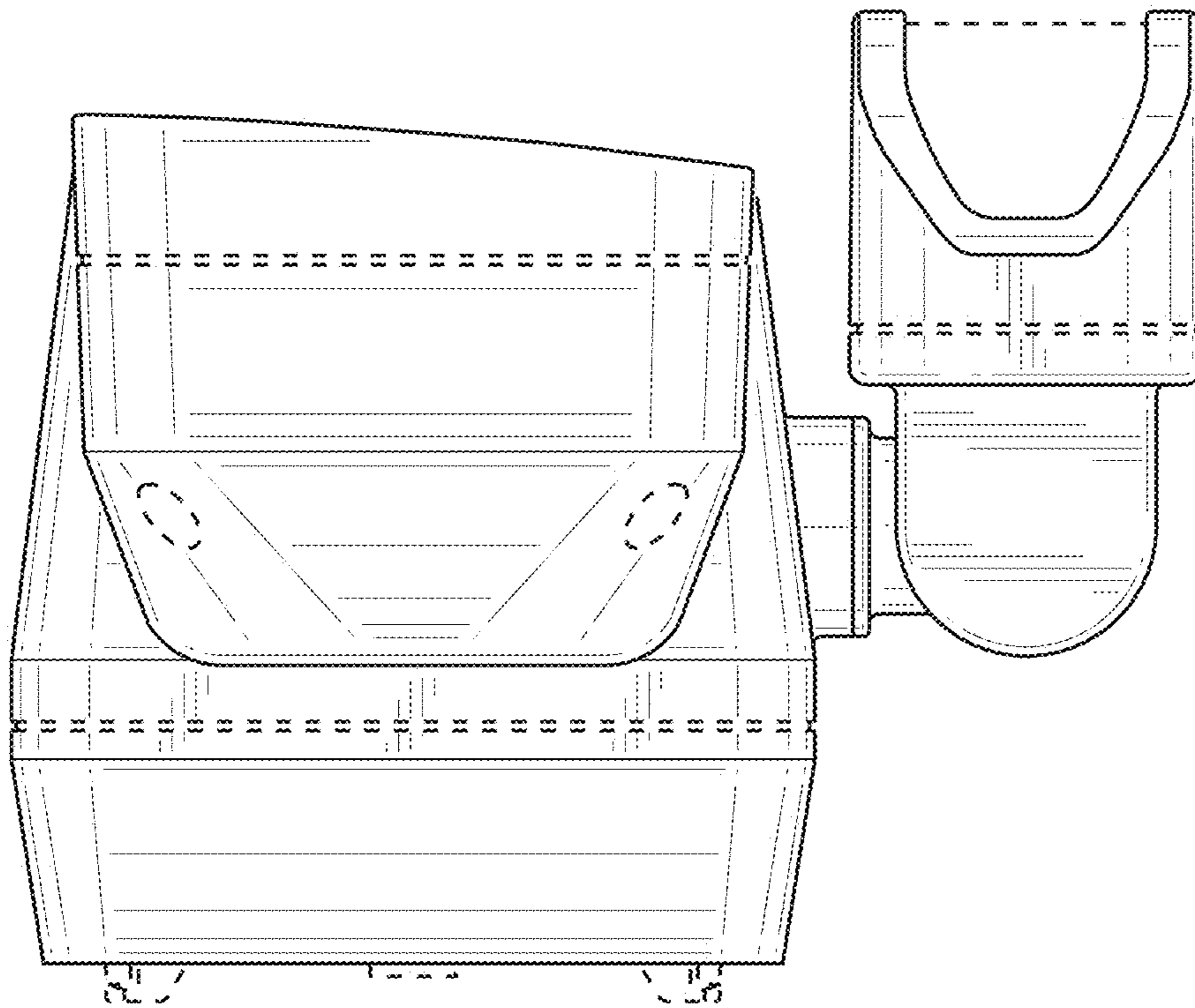


FIG. 7

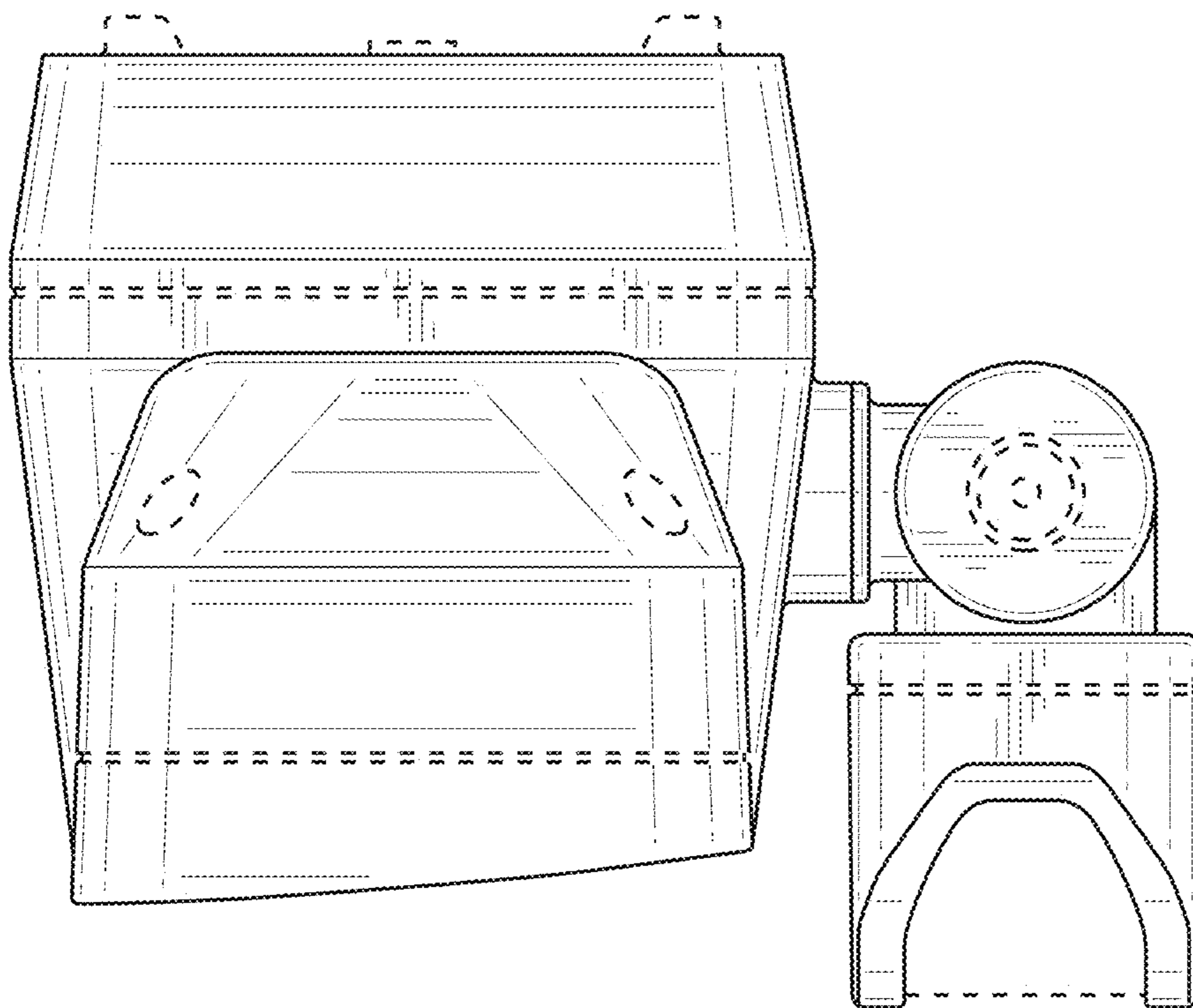


FIG. 8

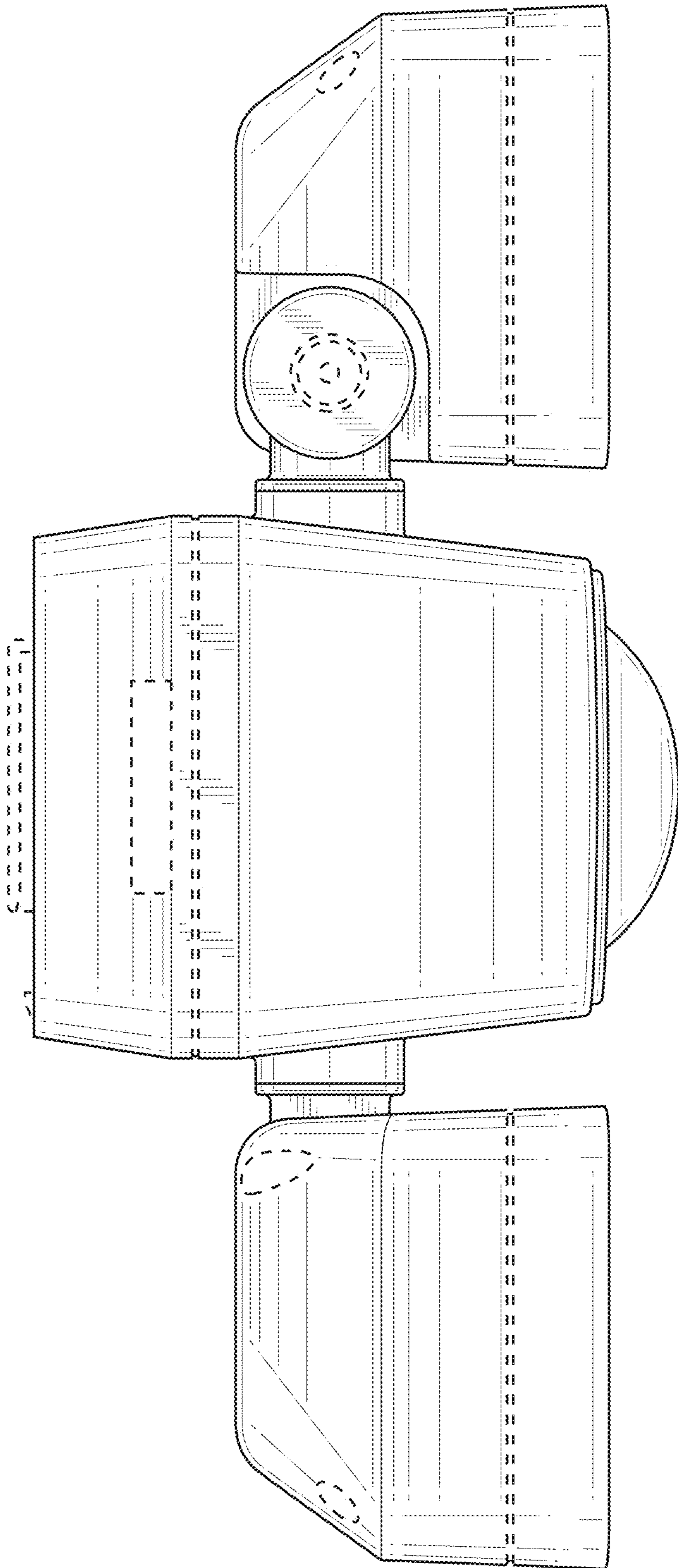


FIG. 9

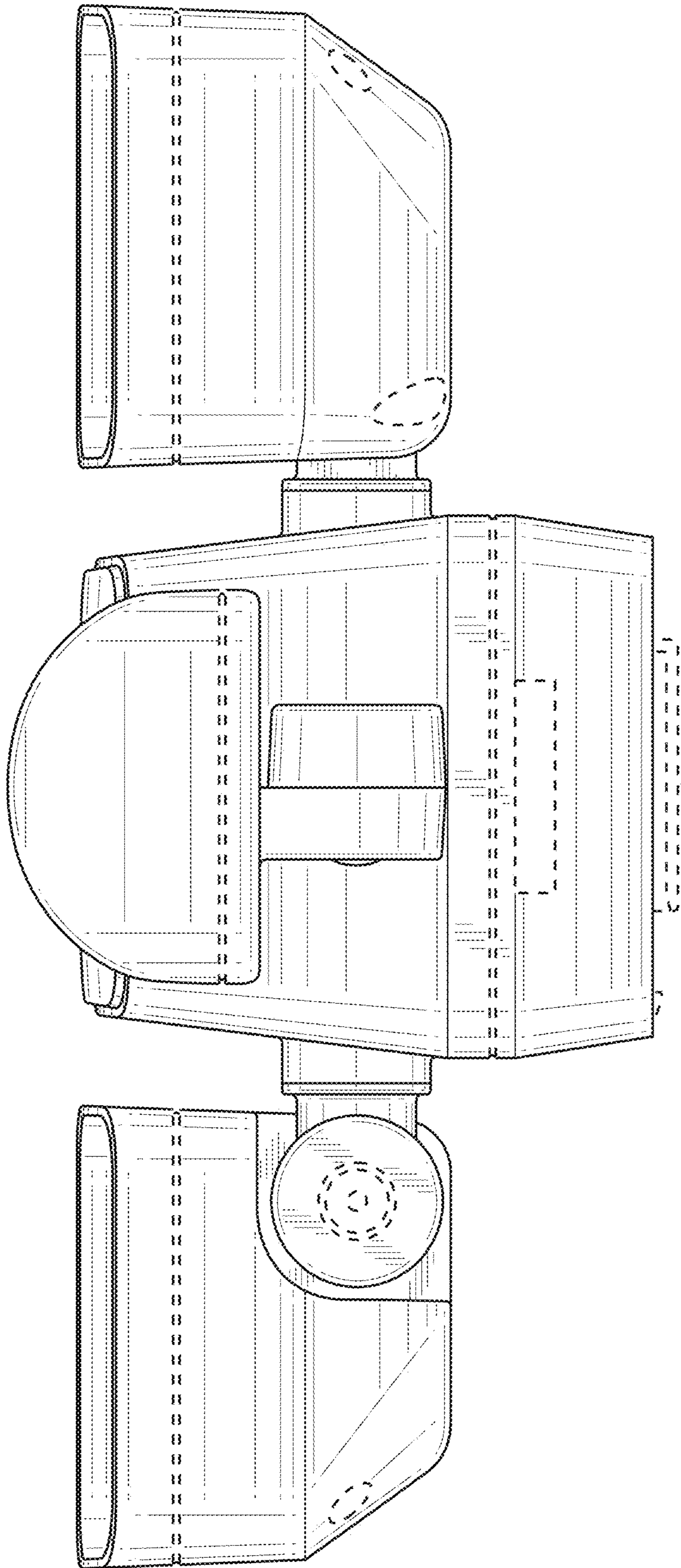


FIG. 10