

US00D869719S

(12) **United States Design Patent**  
**Liu**

(10) **Patent No.:** **US D869,719 S**  
(45) **Date of Patent:** **\*\* Dec. 10, 2019**

(54) **LED STAR SELFIE LIGHT**

(71) Applicant: **Yulan Liu**, Yucheng (CN)

(72) Inventor: **Yulan Liu**, Yucheng (CN)

(\*\*) Term: **15 Years**

(21) Appl. No.: **29/699,027**

(22) Filed: **Jul. 23, 2019**

(51) **LOC (12) Cl.** ..... **26-03**

(52) **U.S. Cl.**  
USPC ..... **D26/61**; D26/94

(58) **Field of Classification Search**  
USPC ..... D26/24, 37-38, 44-45, 51-52, 56-57,  
D26/60-61, 63, 65, 93, 94, 104, 106, 113,  
D26/120, 138; D16/237, 239; D14/217,  
D14/240, 252, 255  
CPC ..... F21V 1/00; F21V 5/00; F21V 5/02; F21V  
5/043; F21V 21/00; F21V 21/02; F21S  
8/03; F21S 8/033; F21S 8/036; F21S  
8/037; F21S 8/04; F21S 9/037; F21W  
2131/107

See application file for complete search history.

(56) **References Cited**

**U.S. PATENT DOCUMENTS**

D486,926 S	2/2004	Yuen	
D636,513 S *	4/2011	Furtsch	D16/135
D660,998 S	5/2012	Rehahn	
D729,425 S *	5/2015	Wright	D26/37
D776,327 S *	1/2017	Ng	D26/106
D788,349 S *	5/2017	Katterheinrich	D26/94
D827,179 S *	8/2018	Mou	D26/72
D854,227 S *	7/2019	Yu	D26/106
D855,242 S *	7/2019	Chen	D26/106
D862,566 S *	10/2019	Fahlborg	D16/237

**OTHER PUBLICATIONS**

Girls Selfie LED Flash Fill Light Star Heart Sakura Clip For iPhone Mobile Phone, <https://www.ebay.co.uk/itm/Girls-Selfie-LED-Flash-Fill-Light-Star-Heart-Sakura-Clip-For-iPhone-Mobile-Phone-/183031184092>.

\* cited by examiner

*Primary Examiner* — Brian N. Vinson

(74) *Attorney, Agent, or Firm* — Wayne V. Harper

(57) **CLAIM**

I claim the ornamental design for a LED star selfie light, as shown and described.

**DESCRIPTION**

FIG. 1 is a Perspective view of a LED star selfie light showing my new design;

FIG. 2 is a Front view of the LED star selfie light as shown in FIG. 1;

FIG. 3 is a Back view of the LED star selfie light as shown in FIG. 1;

FIG. 4 is a Left-side view of the LED star selfie light as shown in FIG. 1;

FIG. 5 is a Right-side view of the LED star selfie light as shown in FIG. 1;

FIG. 6 is a Top view of the LED star selfie light as shown in FIG. 1;

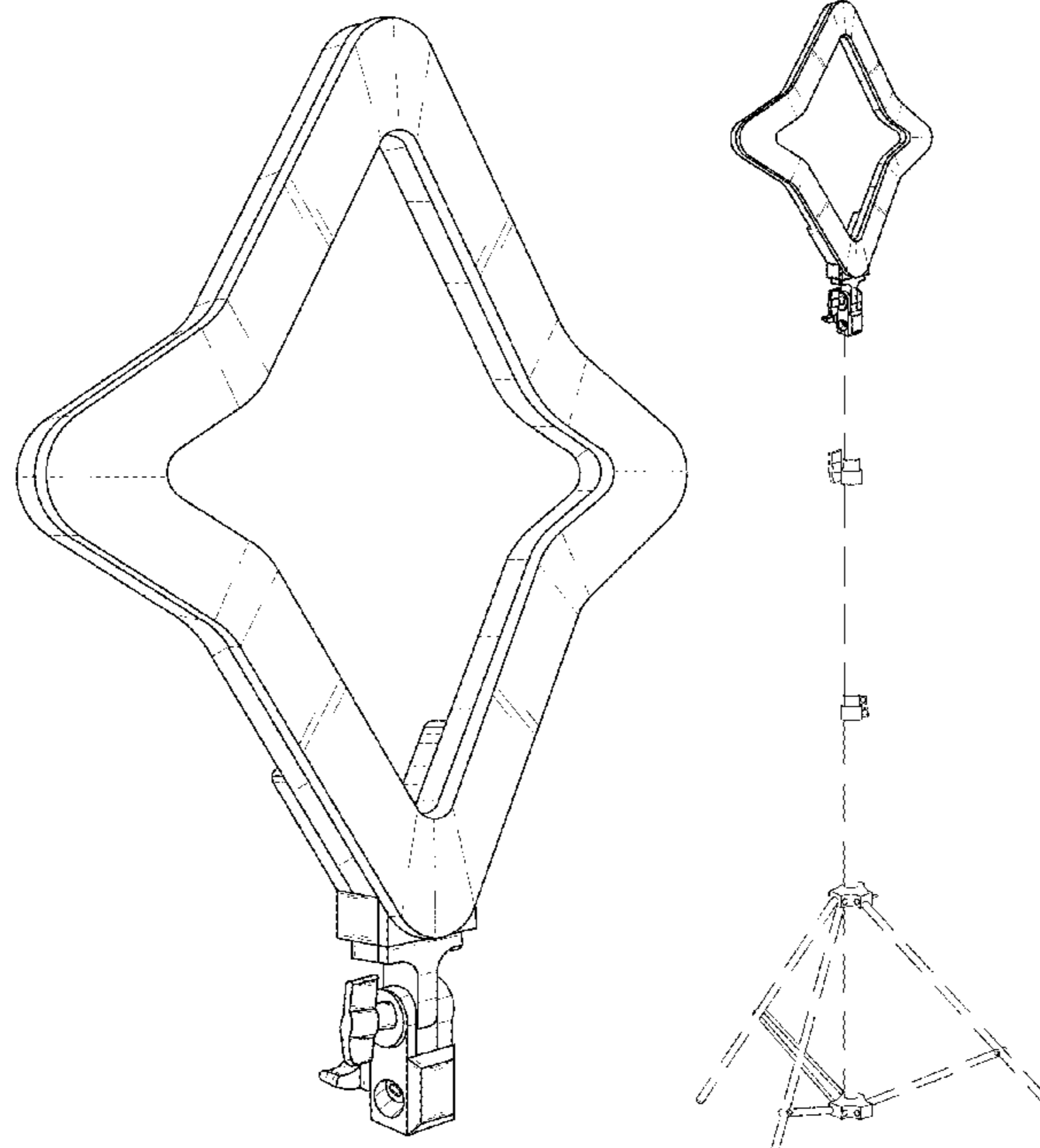
FIG. 7 is a Bottom view of the LED star selfie light as shown in FIG. 1;

FIG. 8 is another perspective view of the LED star selfie light as shown in FIG. 1; and,

FIG. 9 is another front view of the LED star selfie light as shown in FIG. 1.

The broken lines are only for environmental purposes and form no part of the claimed design.

**1 Claim, 8 Drawing Sheets**



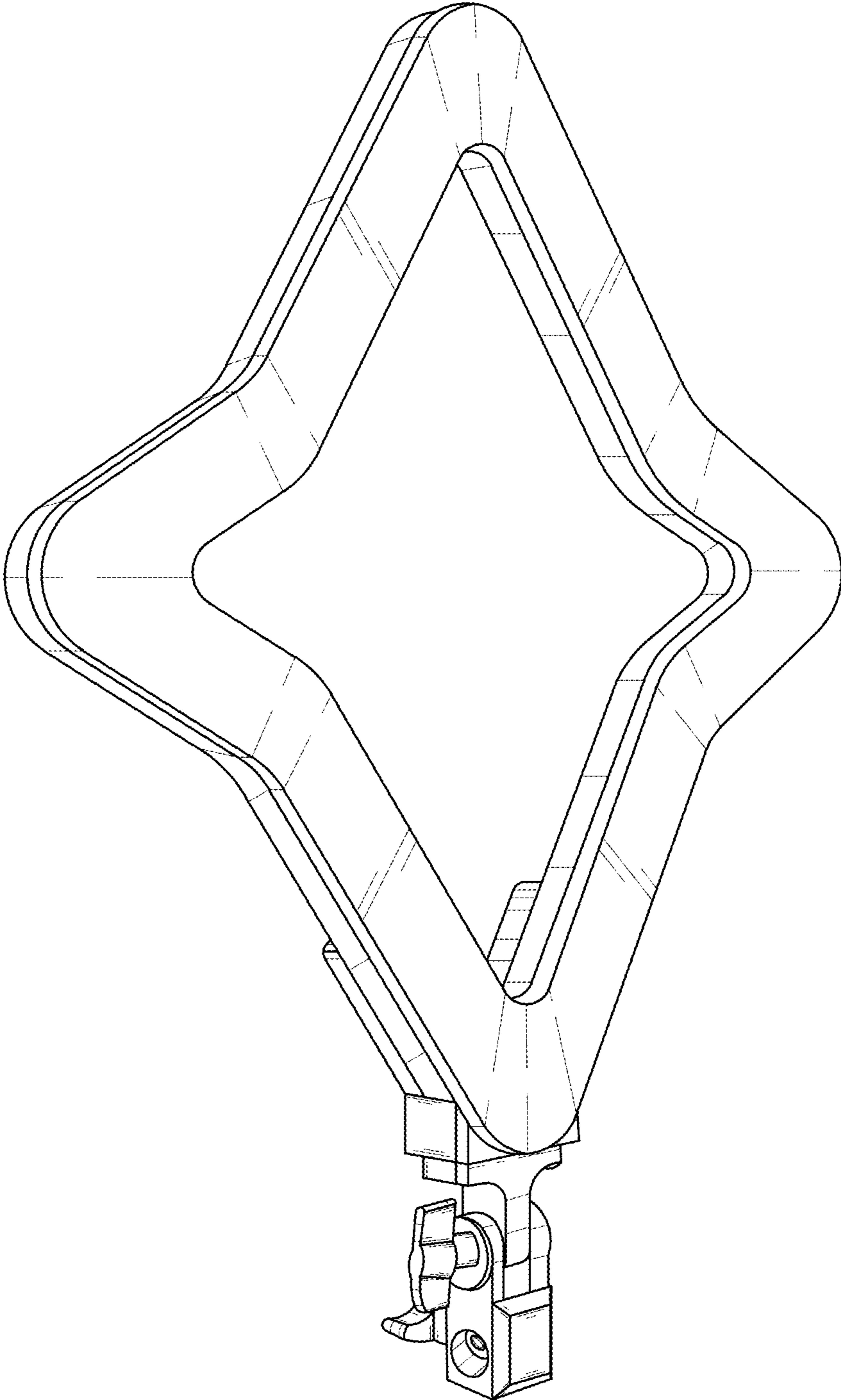


FIG. 1

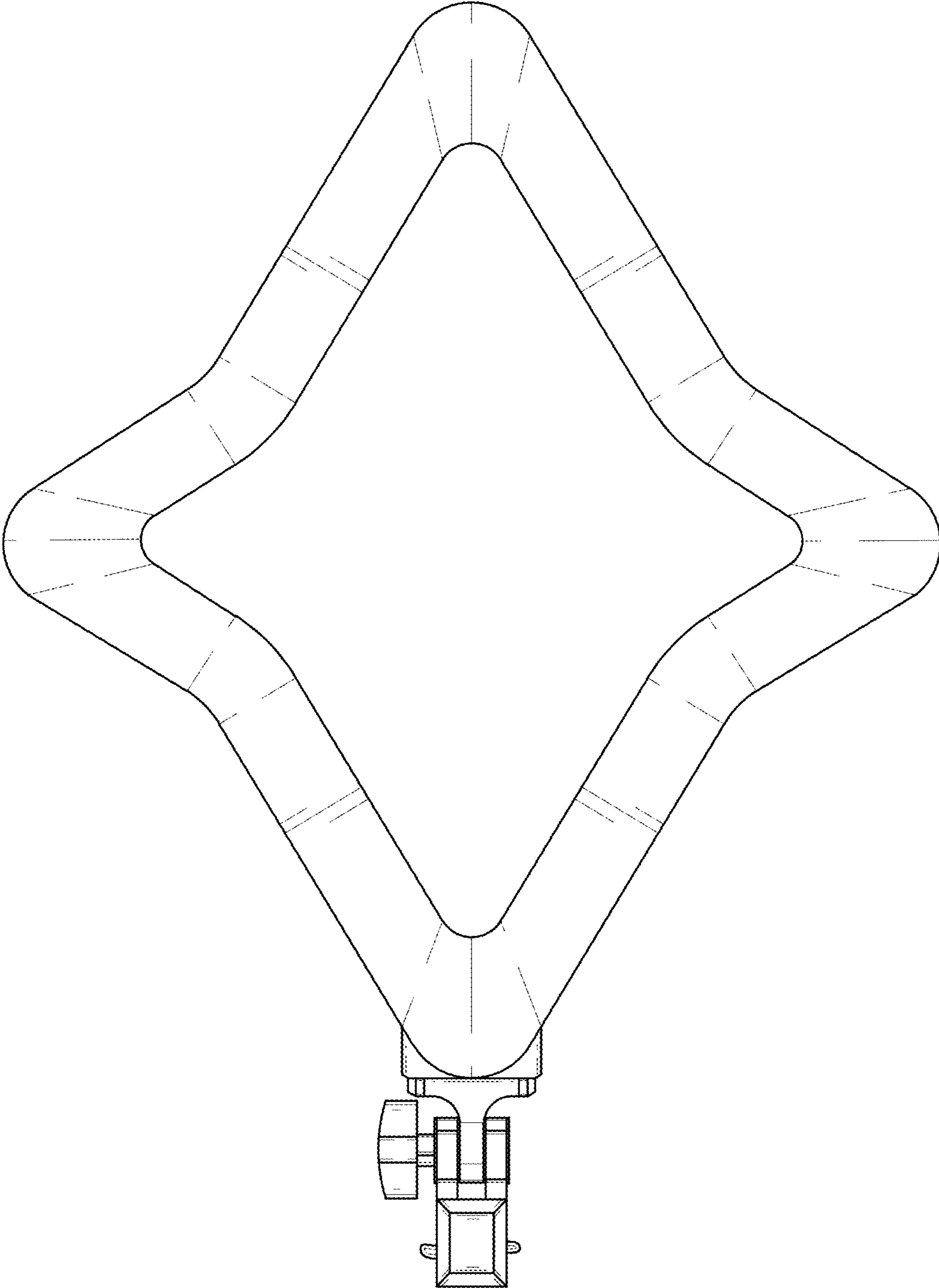


FIG. 2

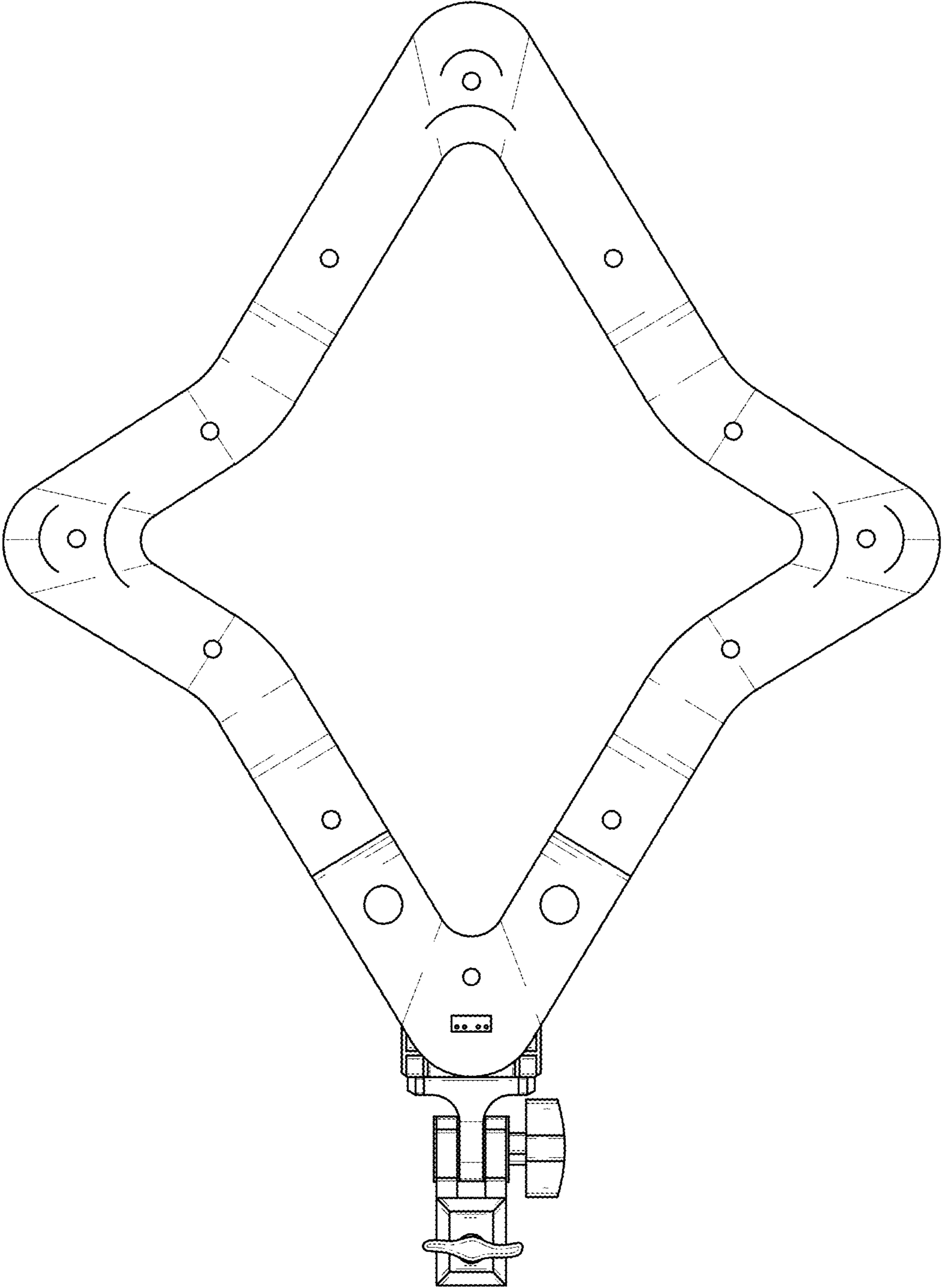


FIG. 3

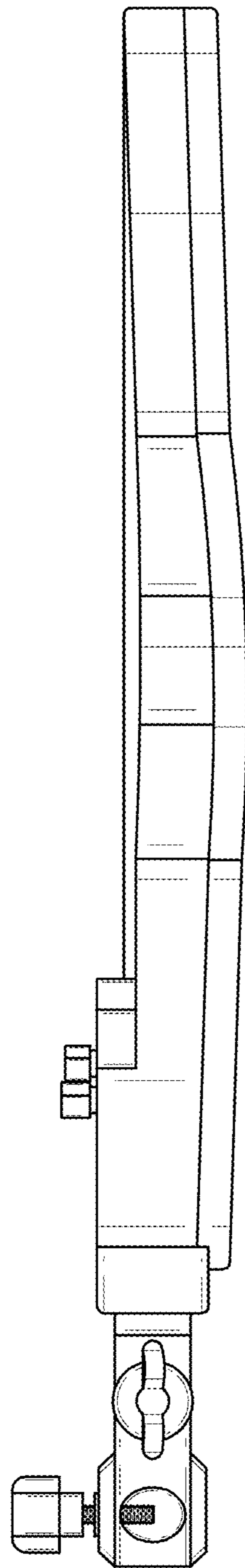


FIG. 4

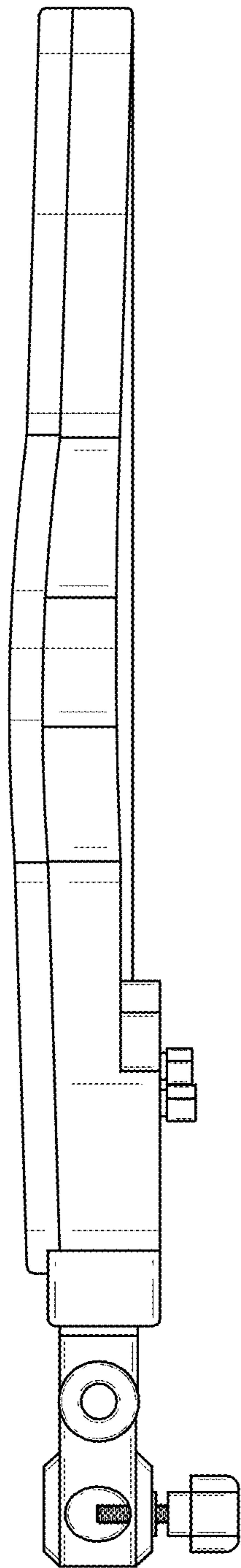


FIG. 5

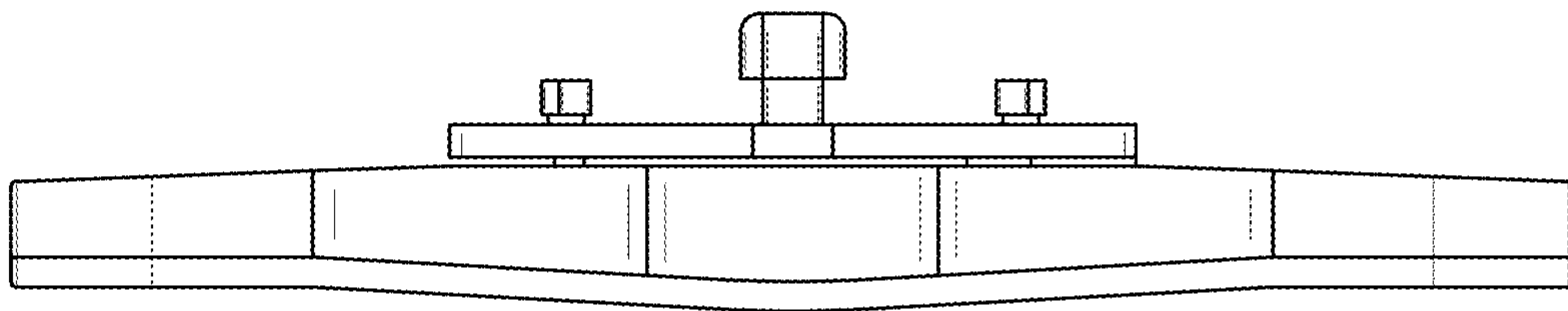


FIG. 6

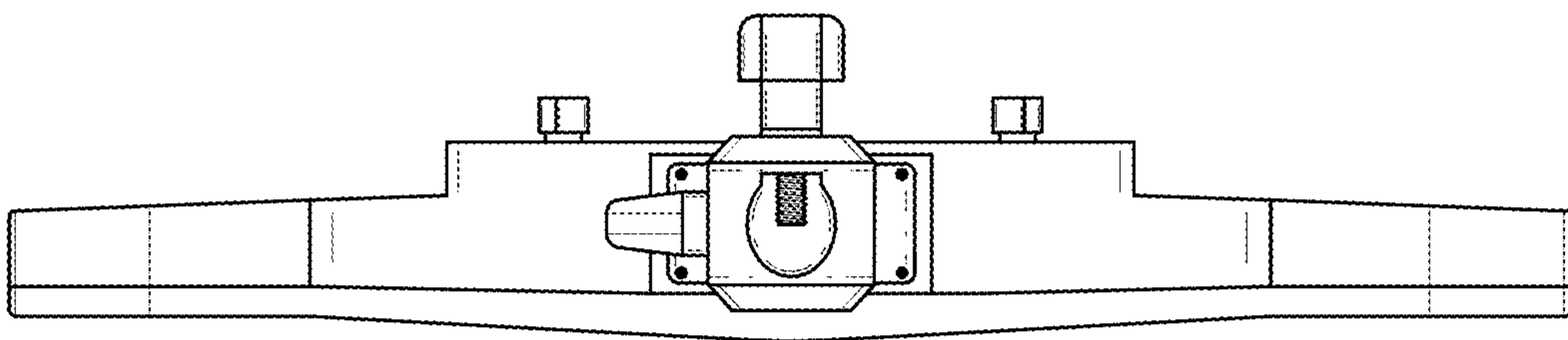


FIG. 7

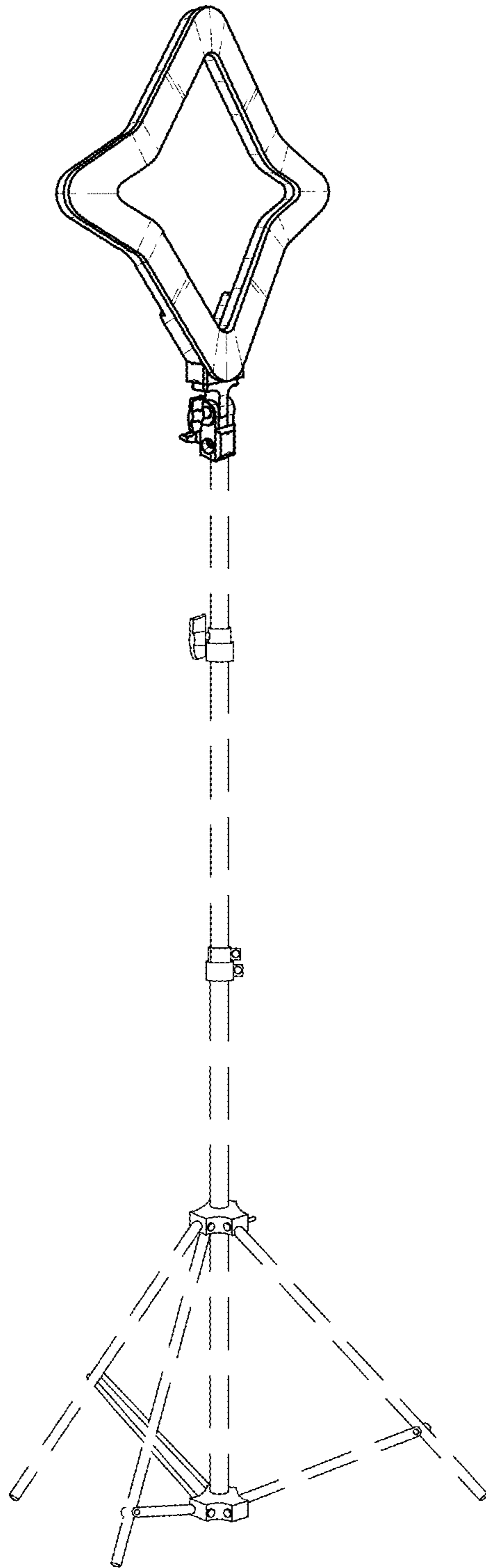


FIG. 8



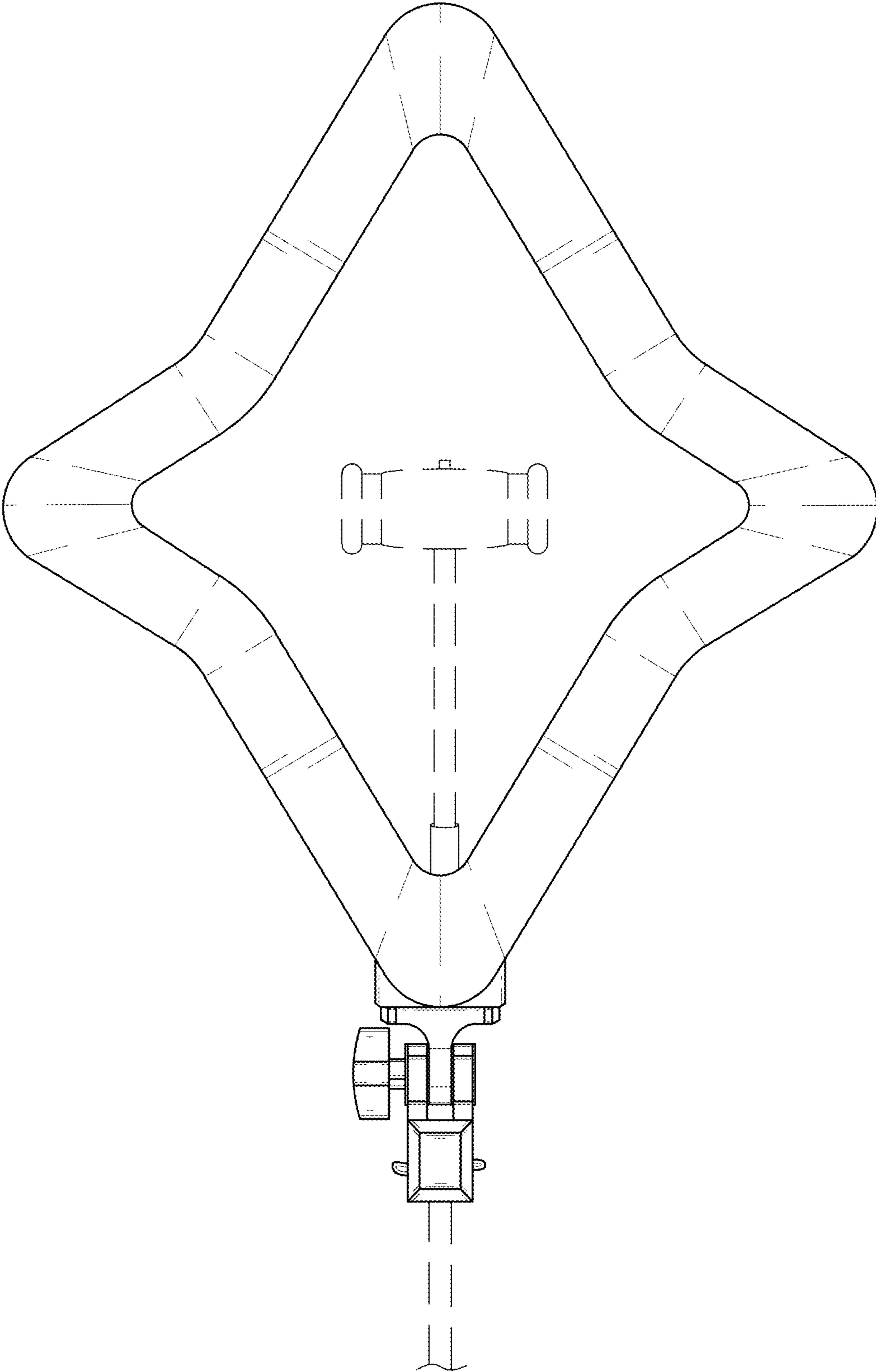


FIG. 9