



US00D869718S

(12) **United States Design Patent** (10) **Patent No.:** **US D869,718 S**  
**Ma** (45) **Date of Patent:** **\*\* Dec. 10, 2019**

(54) **UMBRELLA ATTACHED LIGHT**

FOREIGN PATENT DOCUMENTS

(71) Applicant: **Zhun-An Ma**, Arcadia, CA (US)

CN 201025354 2/2008  
CN 202262527 6/2012

(72) Inventor: **Zhun-An Ma**, Arcadia, CA (US)

(Continued)

(\*\*) Term: **15 Years**

OTHER PUBLICATIONS

(21) Appl. No.: **29/637,596**

Extended European Search Report issued in European Patent Application No. 13189717.5, dated Feb. 27, 2014, in 5 pages.

(22) Filed: **Feb. 20, 2018**

(Continued)

(51) **LOC (12) Cl.** ..... **26-03**

(52) **U.S. Cl.**

USPC ..... **D26/60**

(58) **Field of Classification Search**

USPC ..... D26/24, 51, 60, 37; D22/103, 108

CPC .... F21V 33/00; F21V 33/0004; F21V 33/008;

F41G 11/003; F41G 11/004; F41G 1/35;

F21S 9/02; A45B 3/01

See application file for complete search history.

*Primary Examiner* — Brian N. Vinson

(74) *Attorney, Agent, or Firm* — Knobbe Martens Olson & Bear LLP

(57) **CLAIM**

The ornamental design for an umbrella attached light, as shown and described.

**DESCRIPTION**

(56) **References Cited**

U.S. PATENT DOCUMENTS

2,047,045	A	7/1936	Veenboer
2,087,537	A	7/1937	Milton
2,176,667	A	10/1939	Crowley
2,547,896	A	4/1951	Cafardi
2,960,094	A	11/1960	Cohen
3,449,002	A	6/1969	Bernard
3,683,172	A	8/1972	Noyes
3,752,407	A	8/1973	Baugh
3,801,809	A	4/1974	Slade
4,020,858	A	5/1977	Wilson
4,174,532	A	11/1979	Kelley
4,225,909	A	9/1980	Whiteway
4,425,602	A	1/1984	Lansing
D283,647	S	4/1986	Schumann
4,601,120	A	7/1986	Levin
4,628,791	A	12/1986	Phipps
4,684,230	A	8/1987	Smith
4,787,019	A	11/1988	van den Broeke

(Continued)

FIG. 1 is a top perspective view of a umbrella attached light. FIG. 2 is a bottom perspective view of the umbrella attached light of FIG. 1.

FIG. 3 is a front view of the umbrella attached light of FIG. 1;

FIG. 4 is a back view of the umbrella attached light of FIG. 1;

FIG. 5 is a left view of the umbrella attached light of FIG. 1;

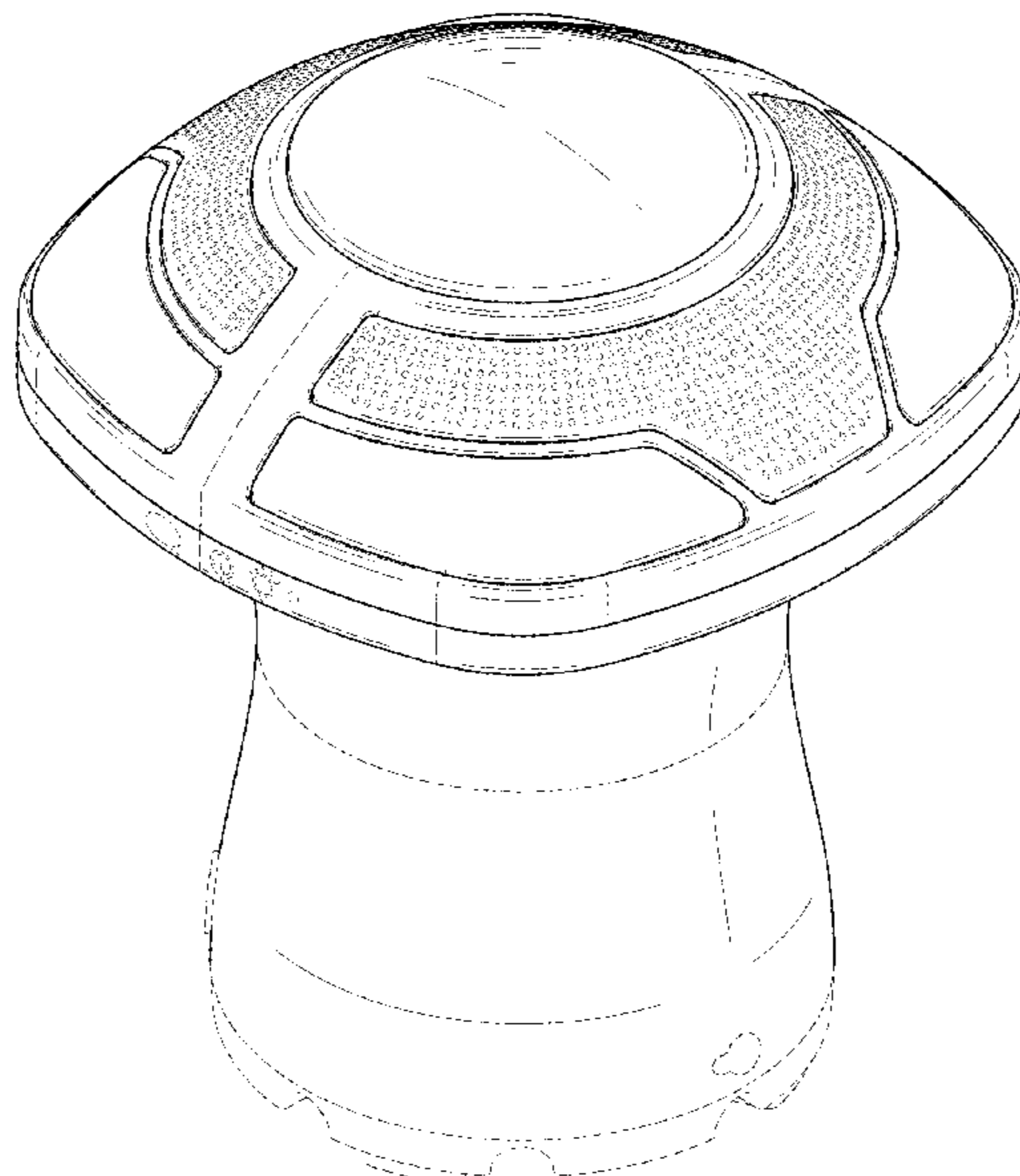
FIG. 6 is a right view of the umbrella attached light of FIG. 1;

FIG. 7 is a top view of the umbrella attached light of FIG. 1; and,

FIG. 8 is a bottom view of the umbrella attached light of FIG. 1.

The broken line disclosure represents portions of the light which form no part of the claimed design.

**1 Claim, 8 Drawing Sheets**



(56)

References Cited

U.S. PATENT DOCUMENTS

4,788,995 A	12/1988	Rushing	6,439,249 B1	8/2002	Pan et al.
4,800,909 A	1/1989	Seidel et al.	6,439,732 B1	8/2002	Weisbach et al.
4,867,187 A	9/1989	Divine	6,519,144 B1	2/2003	Henrie et al.
4,872,468 A	10/1989	Cole	D475,801 S *	6/2003	Stewart ..... D26/67
4,881,154 A	11/1989	Tseng	6,598,990 B2	7/2003	Li
4,915,670 A	4/1990	Nesbit	6,612,713 B1	9/2003	Kuelbs
4,953,839 A	9/1990	Chern	6,636,918 B1	10/2003	Aguilar et al.
4,962,779 A	10/1990	Meng	6,659,616 B1	12/2003	Bilotti
5,007,811 A	4/1991	Hopkins	6,666,224 B2	12/2003	Lee
5,029,239 A	7/1991	Nesbit	6,682,204 B2	1/2004	Mullally et al.
5,053,931 A	10/1991	Rushing	6,692,135 B2	2/2004	Li
5,055,984 A	10/1991	Hung et al.	6,732,752 B2	5/2004	Cohen et al.
5,116,258 A	5/1992	Vennik	6,749,166 B2	6/2004	Valentine et al.
5,126,922 A	6/1992	Jacinto	6,765,789 B2	7/2004	Yang
5,143,108 A	9/1992	Kenney	6,796,318 B2	9/2004	Cohen et al.
5,150,963 A	9/1992	Hill	6,830,058 B2	12/2004	Li
5,152,495 A	10/1992	Jacinto	6,837,255 B2	1/2005	Bunch
5,163,752 A	11/1992	Copeland et al.	6,840,657 B2	1/2005	Tung
5,172,711 A	12/1992	Mueller	6,851,823 B2	2/2005	Bilotti
5,207,238 A	5/1993	Rivera et al.	6,923,193 B2	8/2005	Chen
5,213,122 A	5/1993	Grady	6,923,194 B2	8/2005	Li
5,216,948 A	6/1993	Sheppard et al.	6,959,996 B2	11/2005	Ip
D341,831 S	11/1993	Mozdzanowski	6,961,237 B2	11/2005	Dickie
5,273,062 A	12/1993	Mozdzanowski	6,966,667 B2	11/2005	Li
5,275,364 A	1/1994	Burger	7,013,903 B2	3/2006	Li
5,280,799 A	1/1994	Alajajian	7,017,598 B2	3/2006	Nipke
5,291,908 A	3/1994	Grady, II	7,021,787 B1	4/2006	Kuelbs
5,321,579 A	6/1994	Brown et al.	7,034,902 B2	4/2006	Tajima
5,323,798 A	6/1994	Yang	7,063,433 B2	6/2006	Pape et al.
5,331,524 A	7/1994	Tseng	7,108,388 B2	9/2006	Li
5,349,975 A	9/1994	Valdner	7,111,954 B1	9/2006	Lai
5,351,173 A	9/1994	Byrne	7,125,133 B2	10/2006	Bilotti et al.
5,422,801 A	6/1995	Sangalli, Jr.	7,128,076 B2	10/2006	Freedman
5,426,577 A	6/1995	Gordin et al.	7,134,762 B2	11/2006	Ma
5,449,012 A	9/1995	Friedman	7,143,601 B1	12/2006	Jimenez
5,463,535 A	10/1995	Vest	7,188,633 B2	3/2007	Zerillo
5,502,624 A	3/1996	Tu	D542,454 S *	5/2007	Chan ..... D26/60
5,584,564 A	12/1996	Phyle	7,300,189 B2	11/2007	England et al.
5,611,614 A	3/1997	Morgan	D558,908 S *	1/2008	Waedeled ..... D26/67
5,683,064 A	11/1997	Copeland et al.	7,331,684 B2	2/2008	Tung
5,683,070 A	11/1997	Seed	D564,687 S *	3/2008	Bucher ..... D26/60
5,707,135 A	1/1998	Miller	7,401,936 B1 *	7/2008	Fan ..... F21S 9/02 362/102
5,816,685 A	10/1998	Hou	7,422,343 B2	9/2008	Li
5,831,413 A	11/1998	Gould	7,431,469 B2	10/2008	Li
5,860,728 A	1/1999	Maglica	D580,421 S	11/2008	Sculler et al.
5,902,080 A	5/1999	Kopras	7,481,547 B2	1/2009	Li
D413,992 S	9/1999	Muhammad	7,497,225 B1	3/2009	Klein, Jr. et al.
5,954,417 A	9/1999	Mai	7,497,583 B2	3/2009	Ma
5,960,805 A	10/1999	Murphy	7,537,015 B1	5/2009	Bender et al.
5,964,233 A	10/1999	Clark et al.	7,557,297 B2	7/2009	Axland et al.
5,996,511 A	12/1999	Swoger	7,559,520 B2	7/2009	Quijano et al.
6,013,985 A	1/2000	Green et al.	7,562,667 B2	7/2009	Li
6,017,188 A	1/2000	Benton	7,593,220 B2	9/2009	Proctor et al.
6,024,464 A	2/2000	De Vera	7,604,015 B2	10/2009	Fraser
6,027,309 A	2/2000	Rawls	7,614,600 B1	11/2009	Smith et al.
6,039,062 A	3/2000	Karakaedos	7,625,241 B2	12/2009	Axland et al.
6,058,951 A	5/2000	Wilson	7,625,242 B2	12/2009	Axland et al.
6,089,727 A	7/2000	Wu	7,626,119 B2	12/2009	Axland et al.
6,126,291 A	10/2000	Chung-Kuang et al.	7,631,653 B2	12/2009	Young
6,126,293 A	10/2000	Wu	7,645,169 B2	1/2010	Axland et al.
6,134,103 A	10/2000	Ghanma	7,648,339 B1	1/2010	Ediger et al.
6,135,605 A	10/2000	Hsu	7,650,230 B1	1/2010	Laverick et al.
6,138,970 A	10/2000	Sohrt	7,665,477 B1	2/2010	Hathaway
6,158,451 A	12/2000	Wu	7,695,153 B2	4/2010	Tsai
6,158,701 A	12/2000	Deshler	7,753,546 B2	7/2010	Kuelbs
6,196,242 B1	3/2001	Xu	7,755,975 B2	7/2010	Pettersen et al.
6,270,230 B1	8/2001	Mai	7,778,624 B2	8/2010	Li
6,283,610 B1	9/2001	Alajajian	7,828,002 B2	11/2010	Boldsen
6,298,866 B1	10/2001	Molnar, IV	7,836,905 B2	11/2010	Tarter et al.
6,340,233 B1	1/2002	Shieh	7,856,996 B2 *	12/2010	Ma ..... A45B 3/02 135/16
6,341,873 B1	1/2002	Tai	7,975,711 B2	7/2011	Li
6,347,776 B1	2/2002	Chuang	8,015,988 B2	9/2011	Li
6,382,809 B1	5/2002	Ou-Yang	8,061,374 B2	11/2011	Li
6,397,869 B1	6/2002	Jennings	8,069,868 B2	12/2011	Kuelbs
6,412,889 B1	7/2002	Hummell et al.	8,082,937 B2	12/2011	Tarter et al.
			8,104,491 B2	1/2012	Li
			8,116,497 B2	2/2012	Li

(56)

References Cited

U.S. PATENT DOCUMENTS

8,267,104 B2 9/2012 Li  
 8,331,598 B2 12/2012 Li  
 8,345,889 B2 1/2013 Li  
 8,360,079 B2 1/2013 Li  
 8,393,341 B2 3/2013 Li  
 D680,673 S \* 4/2013 Levine ..... D26/60  
 8,444,104 B2 5/2013 Li  
 8,453,659 B2 6/2013 Li  
 8,459,282 B2 6/2013 Gorey et al.  
 9,030,829 B2 5/2015 Ma  
 9,826,653 B2 11/2017 Ma  
 2001/0001083 A1 5/2001 Helot  
 2002/0074027 A1 6/2002 Maidment  
 2003/0002688 A1 1/2003 Kanevsky et al.  
 2003/0067765 A1 4/2003 Ying  
 2003/0102021 A1 6/2003 Cohen  
 2003/0168091 A1 9/2003 Cohen  
 2003/0192579 A1 10/2003 Llamas Garijo  
 2004/0007259 A1 1/2004 Manolis  
 2004/0031513 A1 2/2004 Bunch  
 2004/0055627 A1 3/2004 Moga  
 2004/0095749 A1 5/2004 Bilotti  
 2004/0100791 A1 5/2004 Bilotti  
 2004/0149325 A1 8/2004 Juelbs  
 2004/0221883 A1 11/2004 Nipke  
 2004/0228118 A1 11/2004 Peterson  
 2004/0240167 A1 12/2004 Ledbetter  
 2004/0256852 A1 12/2004 Benedict  
 2005/0016571 A1 1/2005 Wu  
 2005/0069153 A1 3/2005 Hall  
 2005/0072451 A1 4/2005 Vivian  
 2005/0105898 A1 5/2005 Bachinski  
 2005/0128740 A1 6/2005 Currie et al.  
 2005/0133077 A1 6/2005 Zerillo  
 2005/0161067 A1 7/2005 Hollins  
 2005/0254228 A1 11/2005 Li  
 2006/0005867 A1 1/2006 Chang  
 2006/0005869 A1 1/2006 Kuelbs  
 2006/0044152 A1 3/2006 Wang  
 2006/0124122 A1 6/2006 Young  
 2006/0124157 A1 6/2006 Bayour  
 2006/0127034 A1 6/2006 Brooking  
 2006/0196532 A1 9/2006 Tung  
 2006/0266398 A1 11/2006 Wu  
 2007/0047185 A1 3/2007 Lee et al.  
 2007/0056617 A1 3/2007 Li  
 2007/0058360 A1 3/2007 Li  
 2007/0070588 A1 3/2007 Lin  
 2007/0074751 A1 4/2007 Fraser  
 2007/0127231 A1 6/2007 Li  
 2007/0133191 A1 6/2007 Ma  
 2007/0133219 A1 6/2007 Chaloult et al.  
 2007/0151588 A1 7/2007 Jiu et al.  
 2007/0242450 A1 10/2007 Blatecky  
 2007/0254695 A1 11/2007 Langberg et al.  
 2007/0279856 A1 12/2007 Bragg  
 2008/0053496 A1 3/2008 Li  
 2008/0056898 A1 3/2008 Li  
 2008/0062675 A1 3/2008 Tung  
 2008/0072945 A1 3/2008 Grand Pre et al.  
 2008/0076379 A1 3/2008 Li  
 2008/0092440 A1 4/2008 Johnson

2008/0092936 A1 4/2008 Carabillo  
 2008/0095382 A1 4/2008 Mott  
 2008/0118089 A1 5/2008 Li  
 2008/0163908 A1 7/2008 O’Kere  
 2008/0238270 A1 10/2008 Wayman et al.  
 2008/0262657 A1 10/2008 Howell et al.  
 2008/0271768 A1 11/2008 Li  
 2008/0292120 A1 11/2008 Wilson  
 2009/0014041 A1 1/2009 Li  
 2009/0056775 A1 3/2009 Kuelbs  
 2009/0058354 A1 3/2009 Harrison  
 2009/0071516 A1 3/2009 Li  
 2009/0090404 A1 4/2009 Kuelbs  
 2009/0120475 A1 5/2009 Li  
 2009/0120476 A1 5/2009 Li  
 2009/0193578 A1 8/2009 Jang et al.  
 2009/0196020 A1 8/2009 Tsai  
 2009/0250982 A1 10/2009 Cohen  
 2009/0284216 A1 11/2009 Bessa et al.  
 2009/0314319 A1 12/2009 Young  
 2009/0320827 A1 12/2009 Thompson et al.  
 2010/0024855 A1 2/2010 Li  
 2010/0024856 A1 2/2010 Li  
 2010/0097441 A1 4/2010 Trachtenberg  
 2010/0154786 A1 6/2010 Li  
 2010/0192999 A1 8/2010 Li  
 2010/0307547 A1 12/2010 Li  
 2010/0319737 A1 12/2010 Li  
 2010/0320819 A1 12/2010 Cohen  
 2010/0326849 A1 12/2010 Trimarche  
 2011/0005560 A1 1/2011 Nair  
 2011/0023931 A1 2/2011 Chen  
 2011/0066302 A1 3/2011 McEwan  
 2011/0157801 A1 6/2011 Satterfield  
 2011/0227695 A1 9/2011 Li  
 2011/0265694 A1 11/2011 Hampton et al.  
 2012/0017958 A1 1/2012 Brockel et al.  
 2012/0021269 A1 1/2012 Tartar et al.  
 2012/0073616 A1 3/2012 Kuelbs  
 2012/0140455 A1 6/2012 Chang  
 2018/0092203 A1 3/2018 Ma

FOREIGN PATENT DOCUMENTS

DE 9319387 U1 2/1994  
 FR 2628950 9/1989  
 GB 2396205 A 6/2004  
 JP H08-158702 6/1996  
 JP 2002-204710 7/2002  
 NL 9301852 5/1995  
 WO WO 1990/000840 1/1990  
 WO WO 1990/06069 A 6/1990  
 WO WO 1993/005688 A1 4/1993  
 WO WO 1998/049915 A1 11/1998  
 WO WO 2000/013541 A1 3/2000  
 WO WO 2002/069751 A1 9/2002  
 WO WO 2003/092428 A1 11/2003  
 WO WO 2004/088076 A1 10/2004

OTHER PUBLICATIONS

Treasure Garden 2013 Product Catalog, copyright 2012, Treasure Garden, Inc., “Serenata Umbrella Lights”, pp. 86-87.

\* cited by examiner

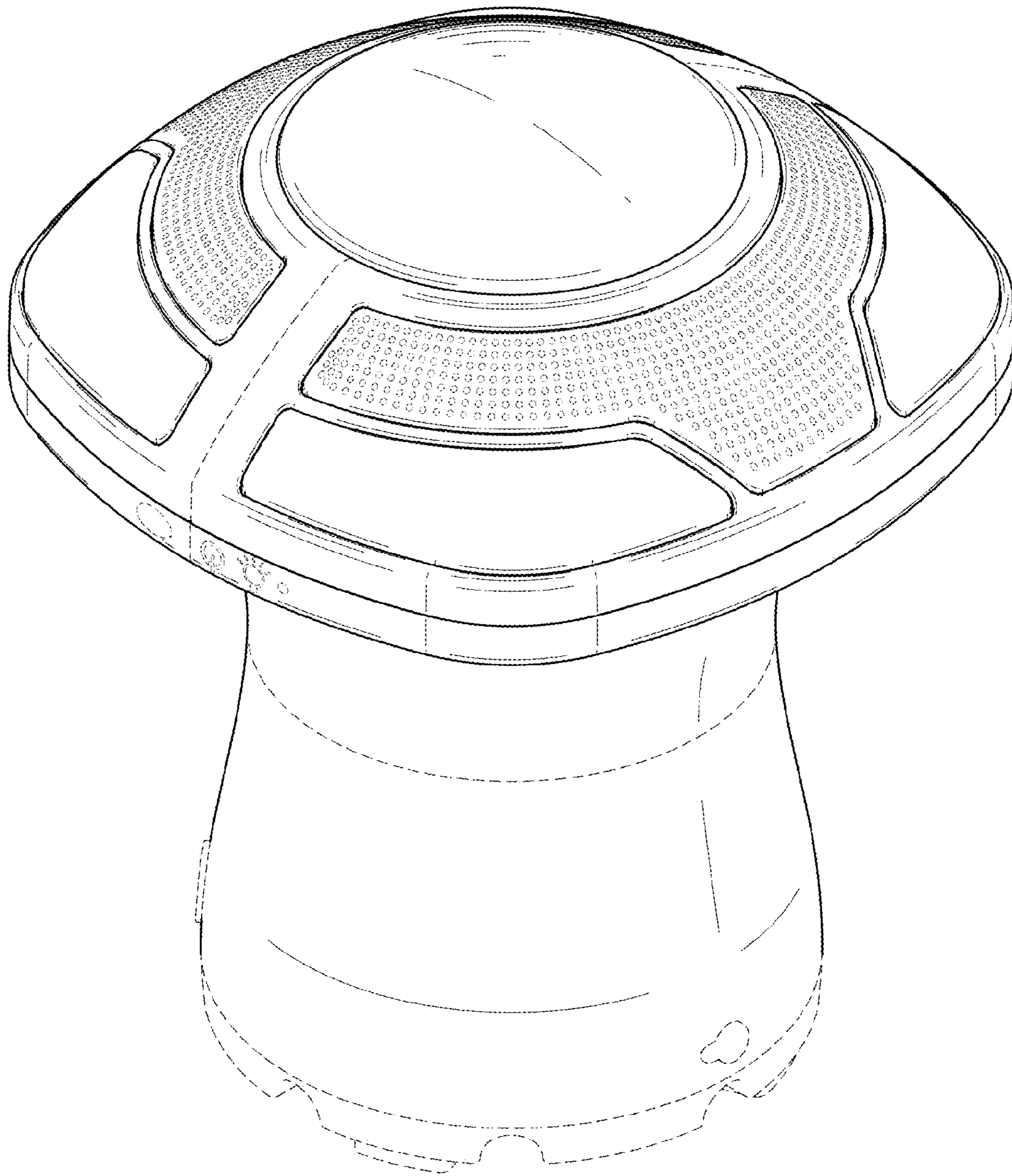


FIG. 1

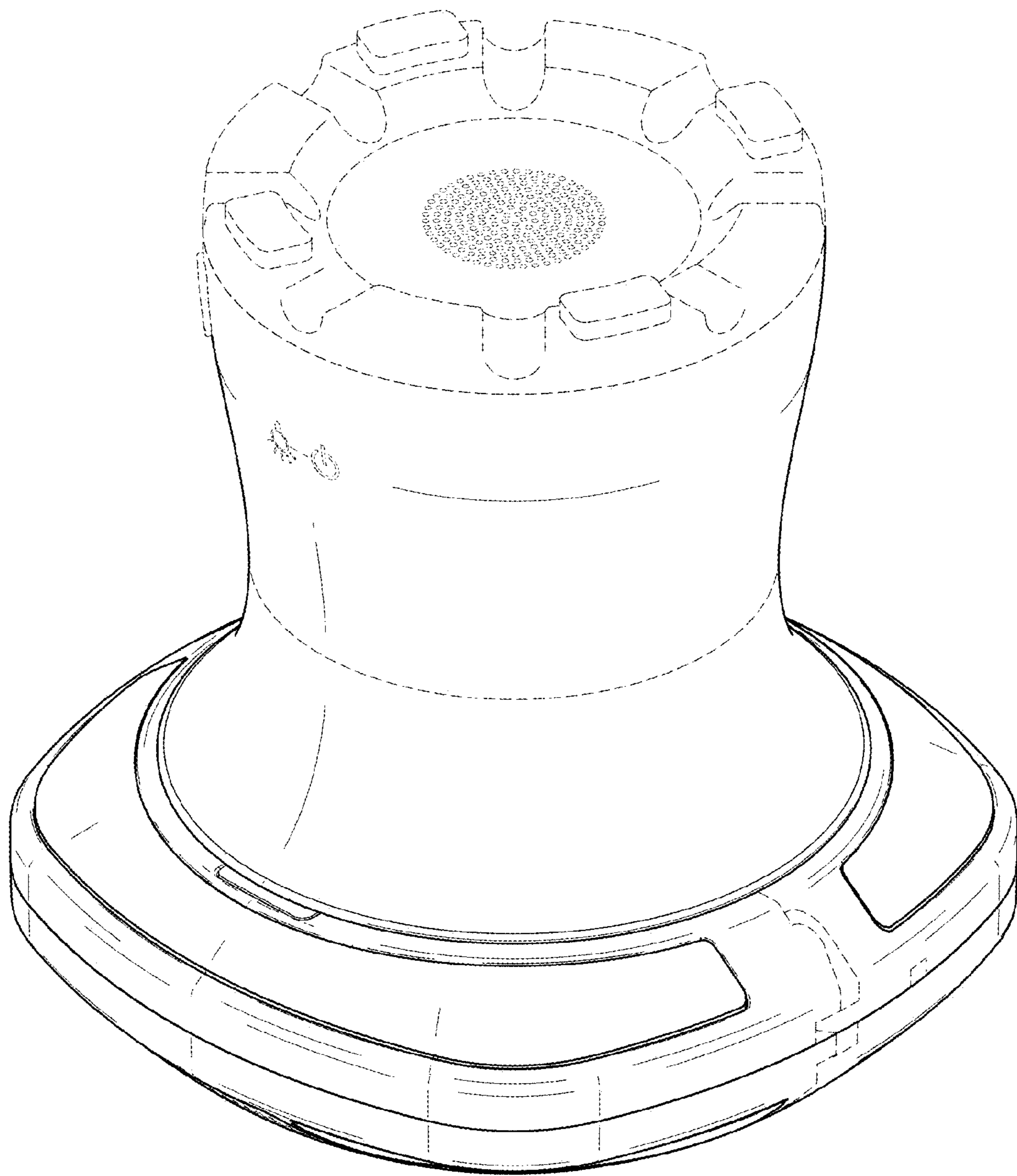


FIG. 2

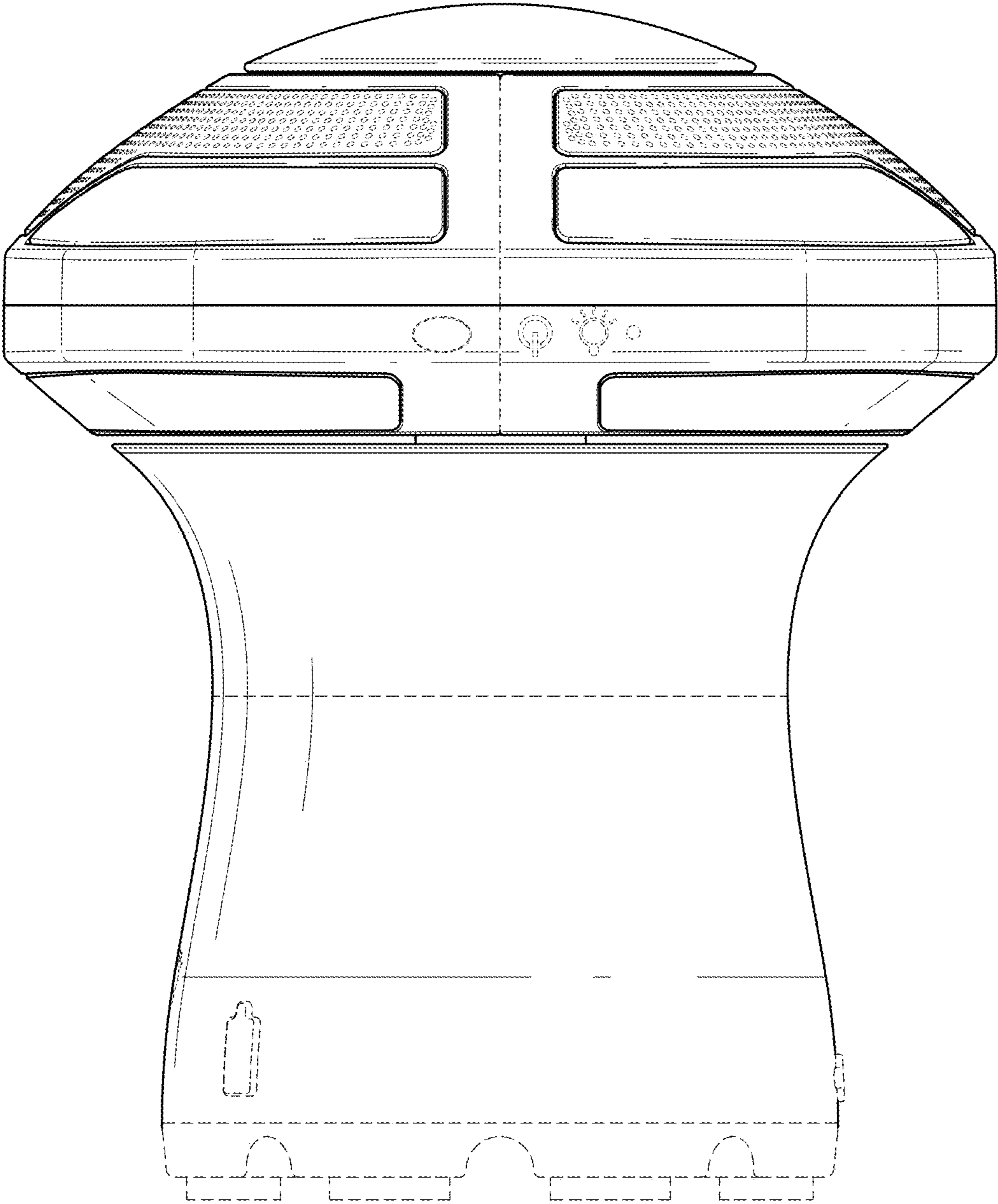


FIG. 3

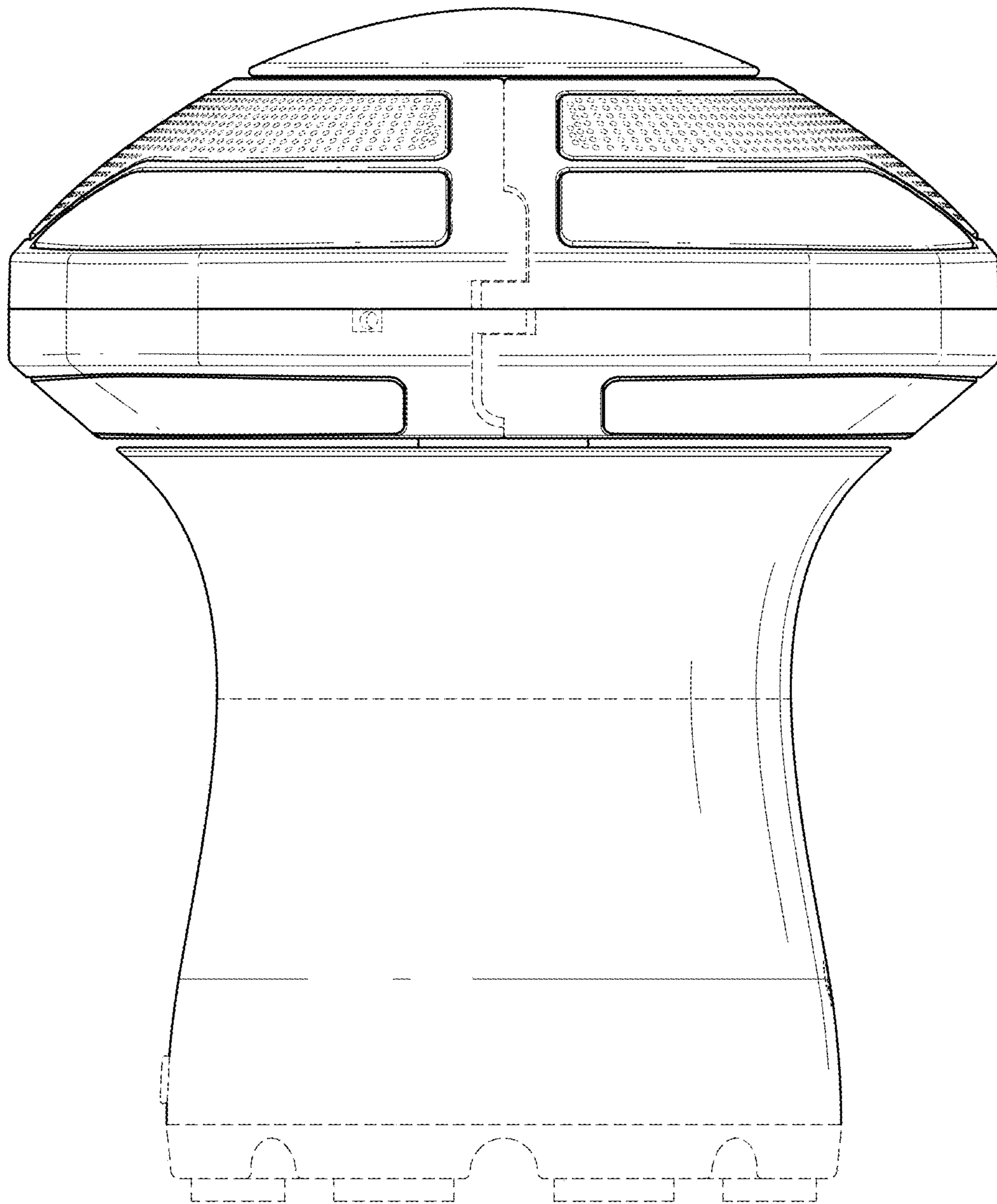


FIG. 4

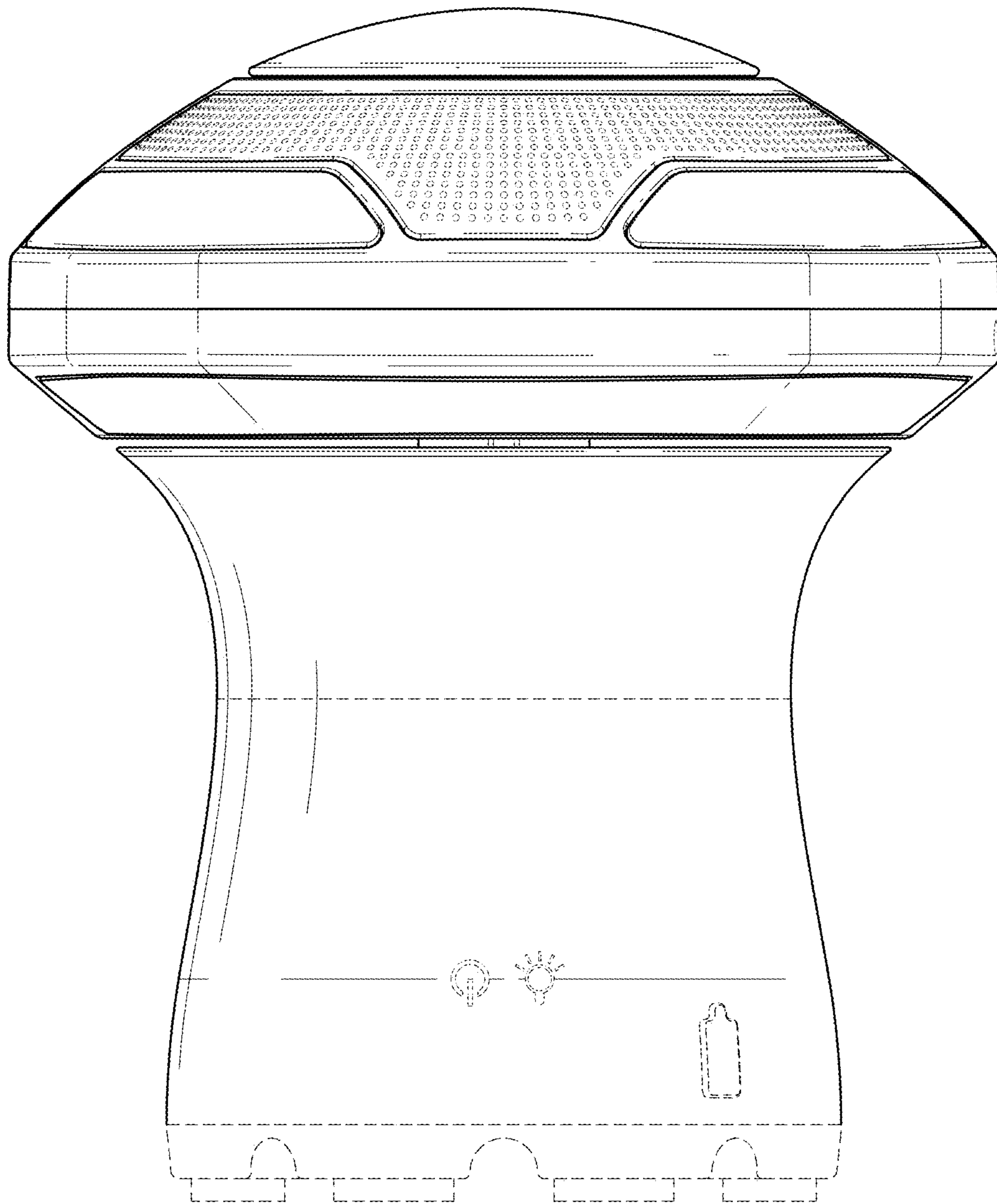


FIG. 5



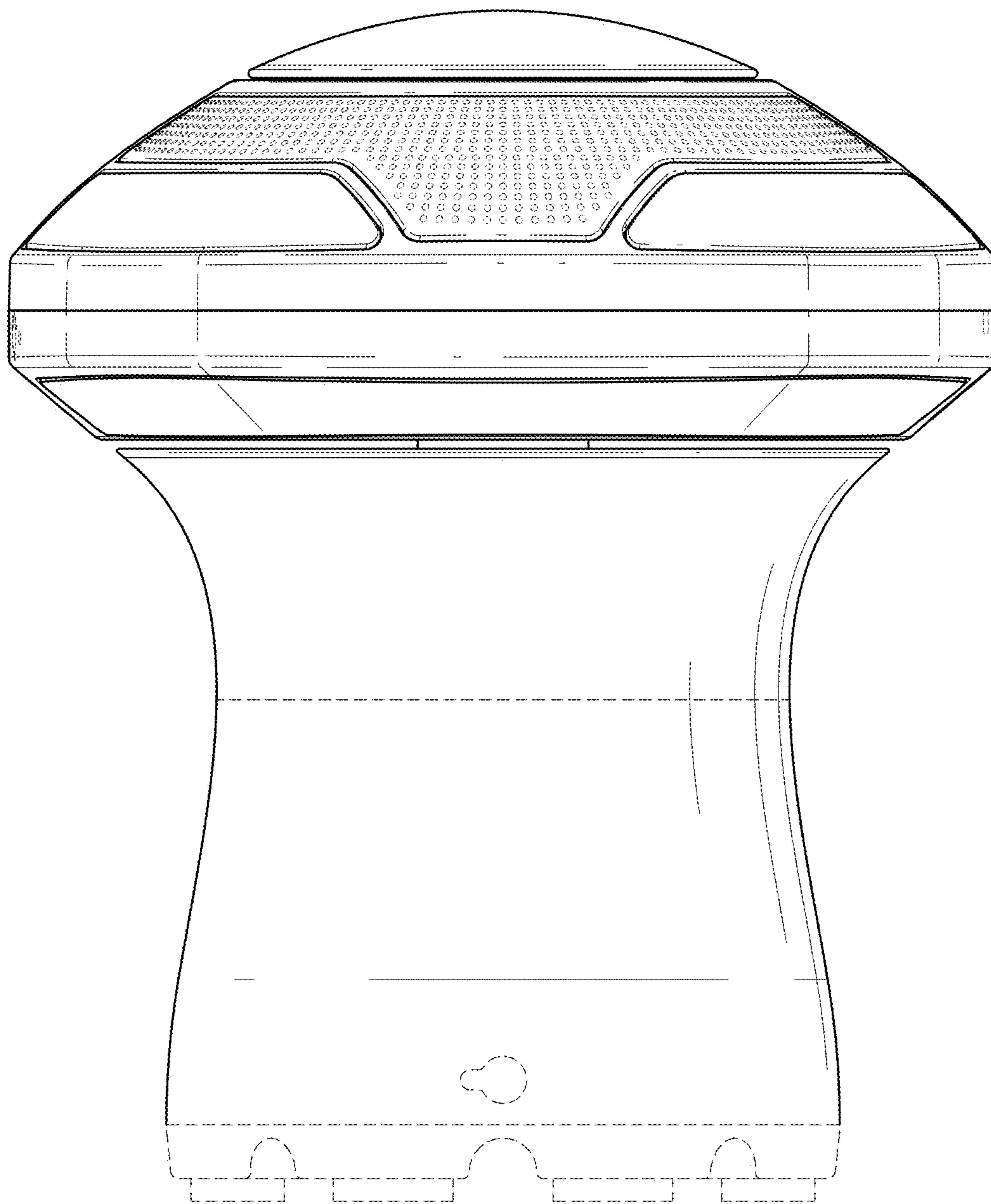


FIG. 6

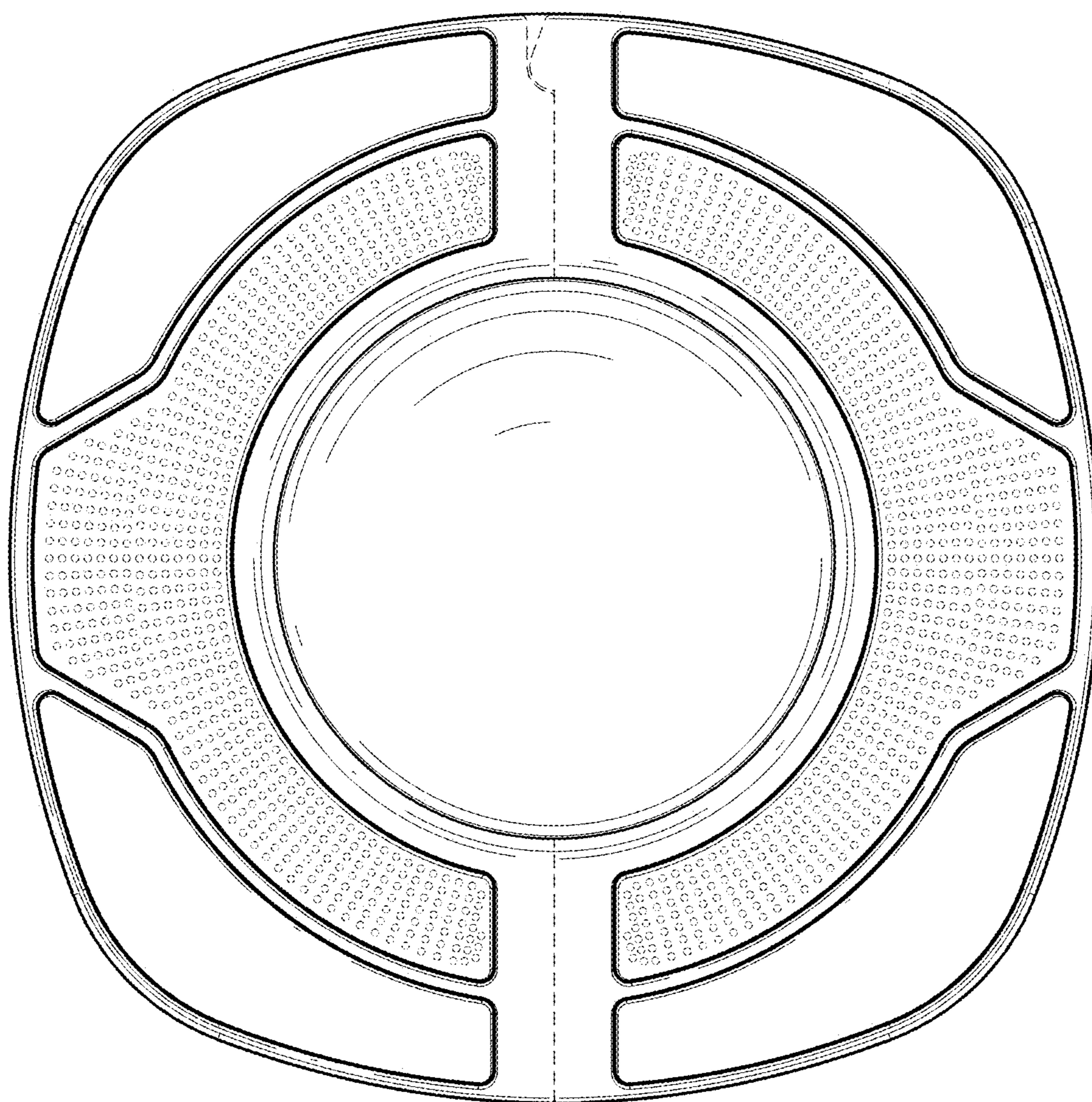


FIG. 7

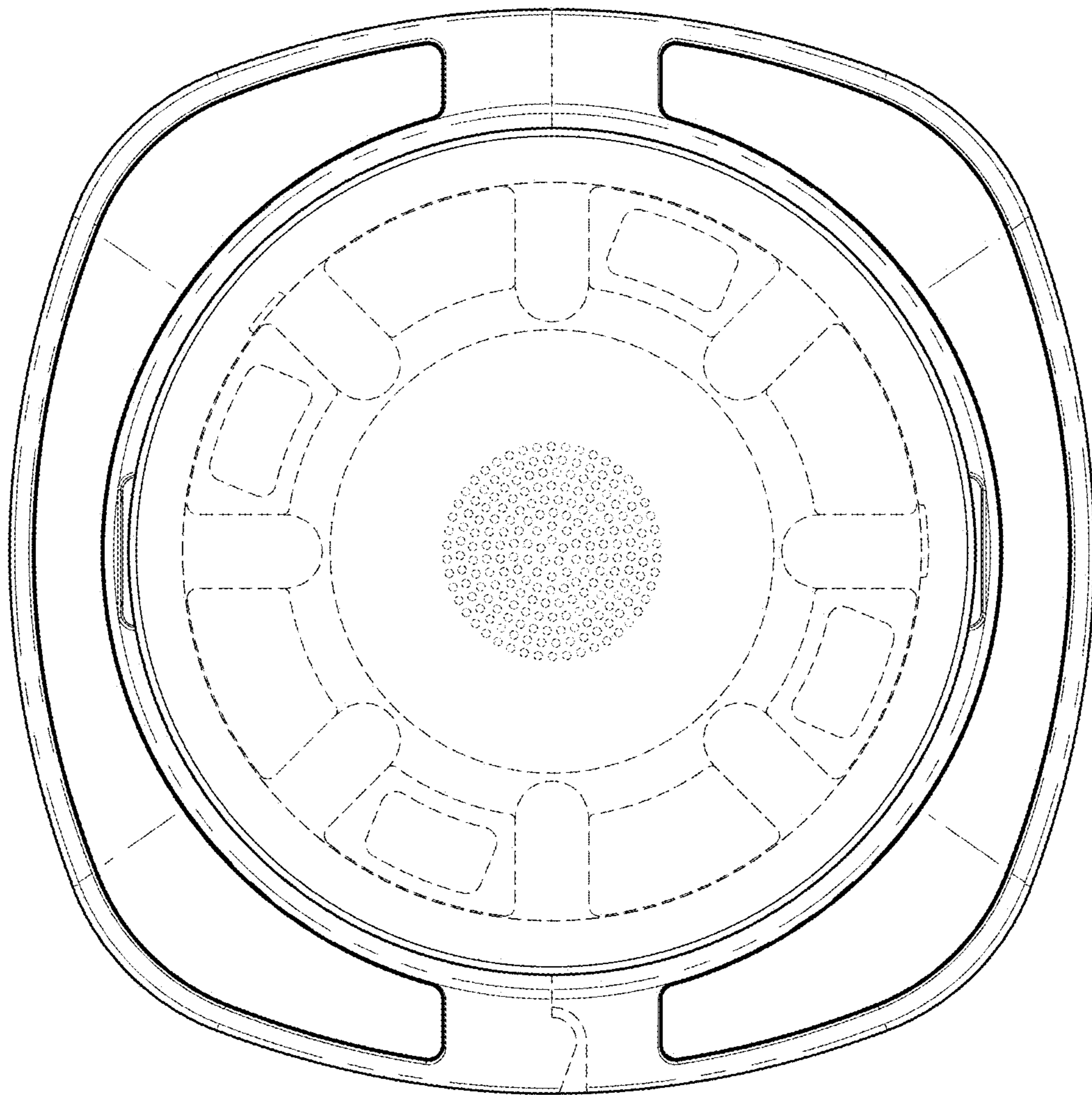


FIG. 8