



US00D869716S

(12) **United States Design Patent** (10) **Patent No.:** **US D869,716 S**
Shim et al. (45) **Date of Patent:** **** Dec. 10, 2019**

(54) **REAR COMBINATION LAMP FOR CARS**

D827,928 S * 9/2018 Kang D28/35
D832,477 S * 10/2018 Ha D26/28
D842,507 S * 3/2019 Kim D26/28
D842,508 S * 3/2019 Kim D26/28

(71) Applicants: **HYUNDAI MOTOR COMPANY**,
Seoul (KR); **KIA MOTORS**
CORPORATION, Seoul (KR)

* cited by examiner

(72) Inventors: **Joon-Bo Shim**, Anyang-si (KR);
Kwang-Duck Han, Seoul (KR)

Primary Examiner — Robert M. Spear

(**) Term: **15 Years**

(21) Appl. No.: **35/506,031**

(57) **CLAIM**

(22) Filed: **Sep. 14, 2018**

The ornamental design for rear combination lamp for cars,
as shown and described.

(80) **Hague Agreement Data**

Int. Filing Date: **Sep. 14, 2018**
Int. Reg. No.: **DM/103513**
Int. Reg. Date: **Sep. 14, 2018**
Int. Reg. Pub. Date: **Nov. 16, 2018**

DESCRIPTION

(30) **Foreign Application Priority Data**

Apr. 16, 2018 (KR) 30-2018-0017662

(51) **LOC (12) Cl.** **26-06**

(52) **U.S. Cl.**
USPC **D26/36**

(58) **Field of Classification Search**
USPC D12/196; D26/28, 35, 36; D21/433
CPC .. F21S 41/00; F21S 41/20; F21S 41/30; F21S
43/14; F21S 43/15; F21S 43/20
See application file for complete search history.

- 1. Rear combination lamp for cars
- 1.1 : Perspective
- 1.2 : Front
- 1.3 : Back
- 1.4 : Left
- 1.5 : Right
- 1.6 : Top
- 1.7 : Bottom

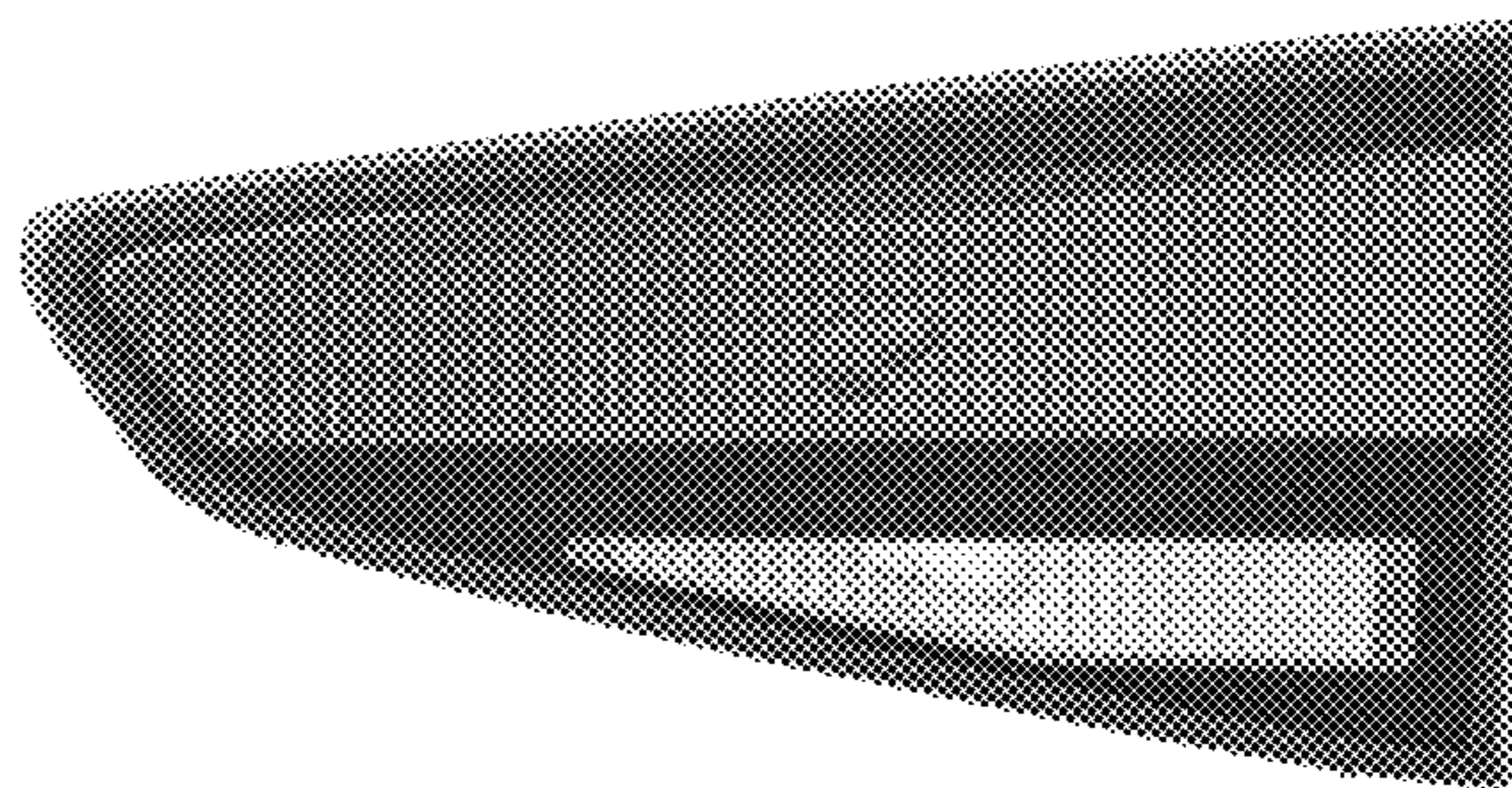
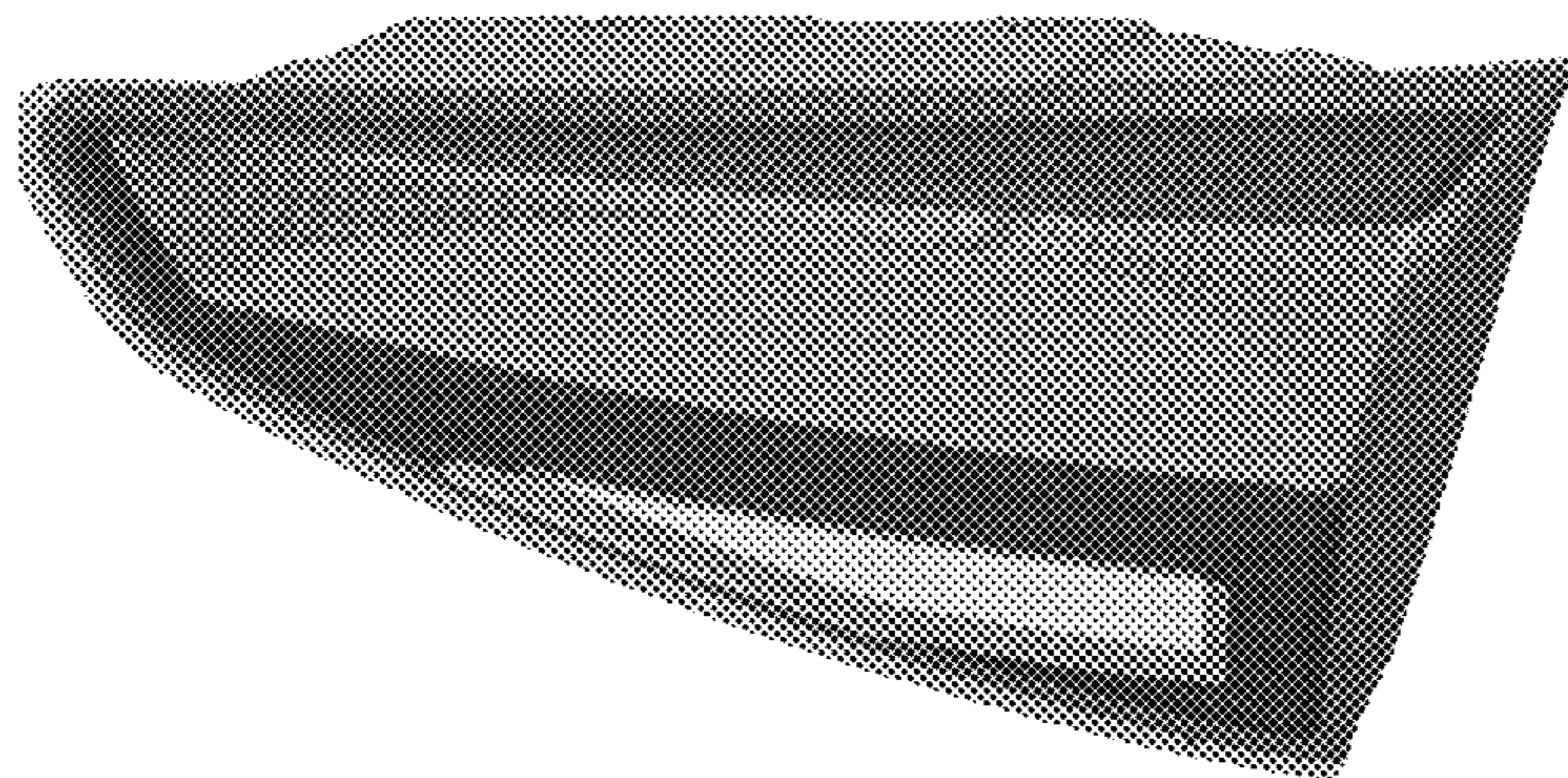
1.1 is a perspective view of a rear combination lamp for cars showing our new design; 1.2 is a front elevation view thereof; 1.3 is a rear elevation view thereof; 1.4 is a left side elevation view thereof; 1.5 is a right side elevation view thereof; 1.6 is a top plan view thereof; and 1.7 is a bottom plan view thereof.

(56) **References Cited**

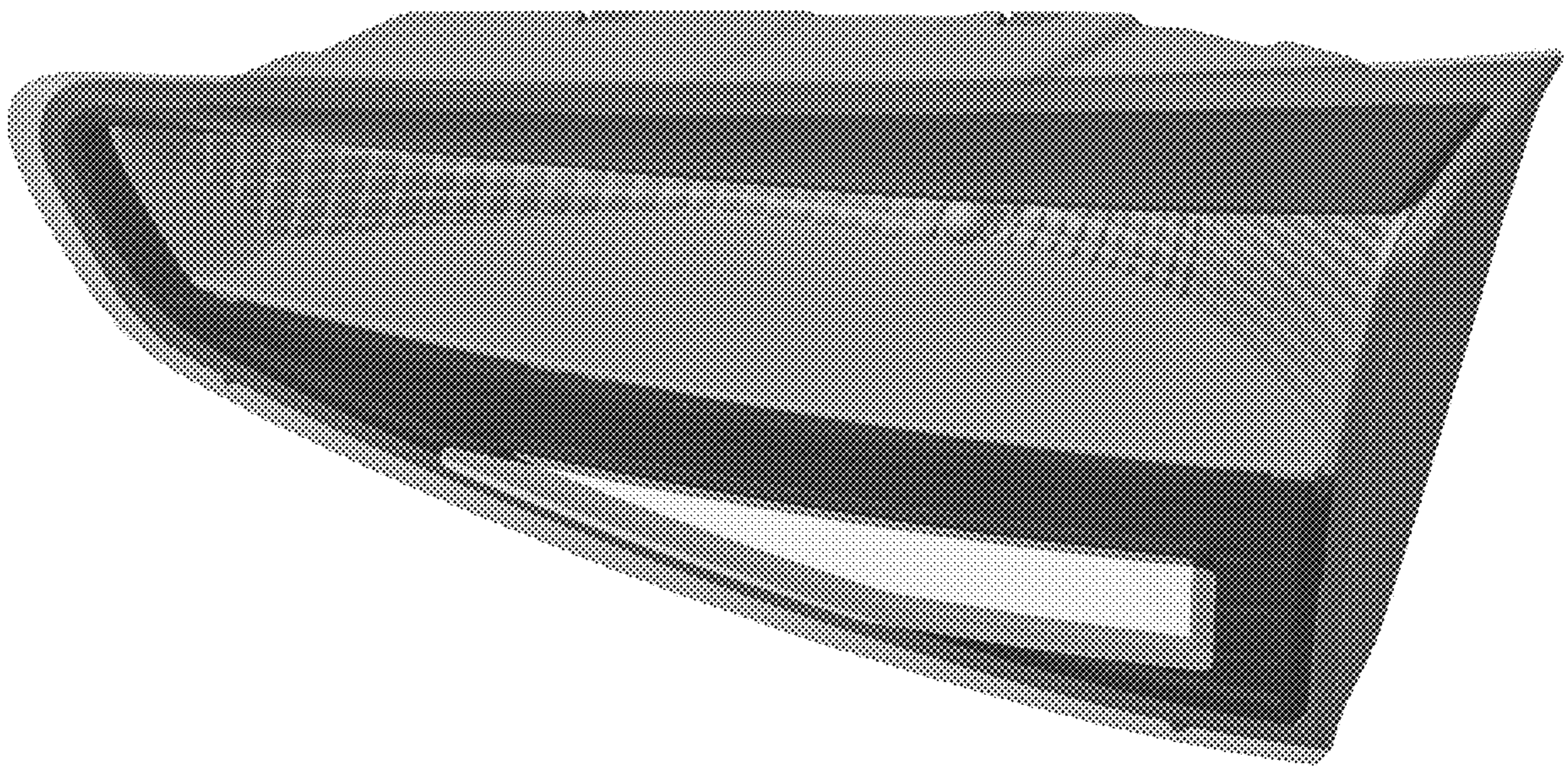
U.S. PATENT DOCUMENTS

D743,063 S * 11/2015 Park D26/28
D759,863 S * 6/2016 Shim D26/28
D759,864 S * 6/2016 Shim D26/28
D774,219 S * 12/2016 Lim D26/28
D785,836 S * 5/2017 Lee D26/28

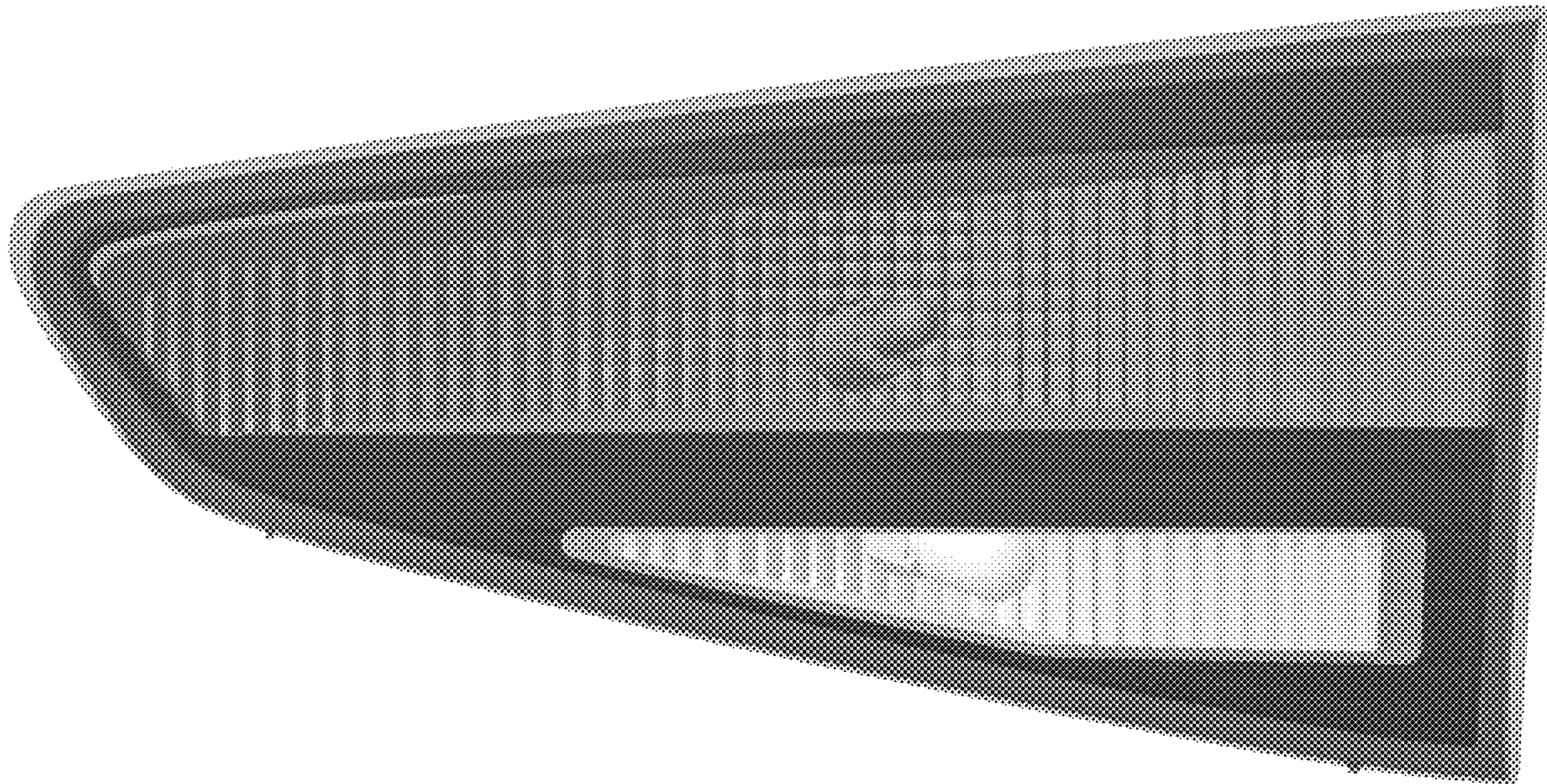
1 Claim, 7 Drawing Sheets



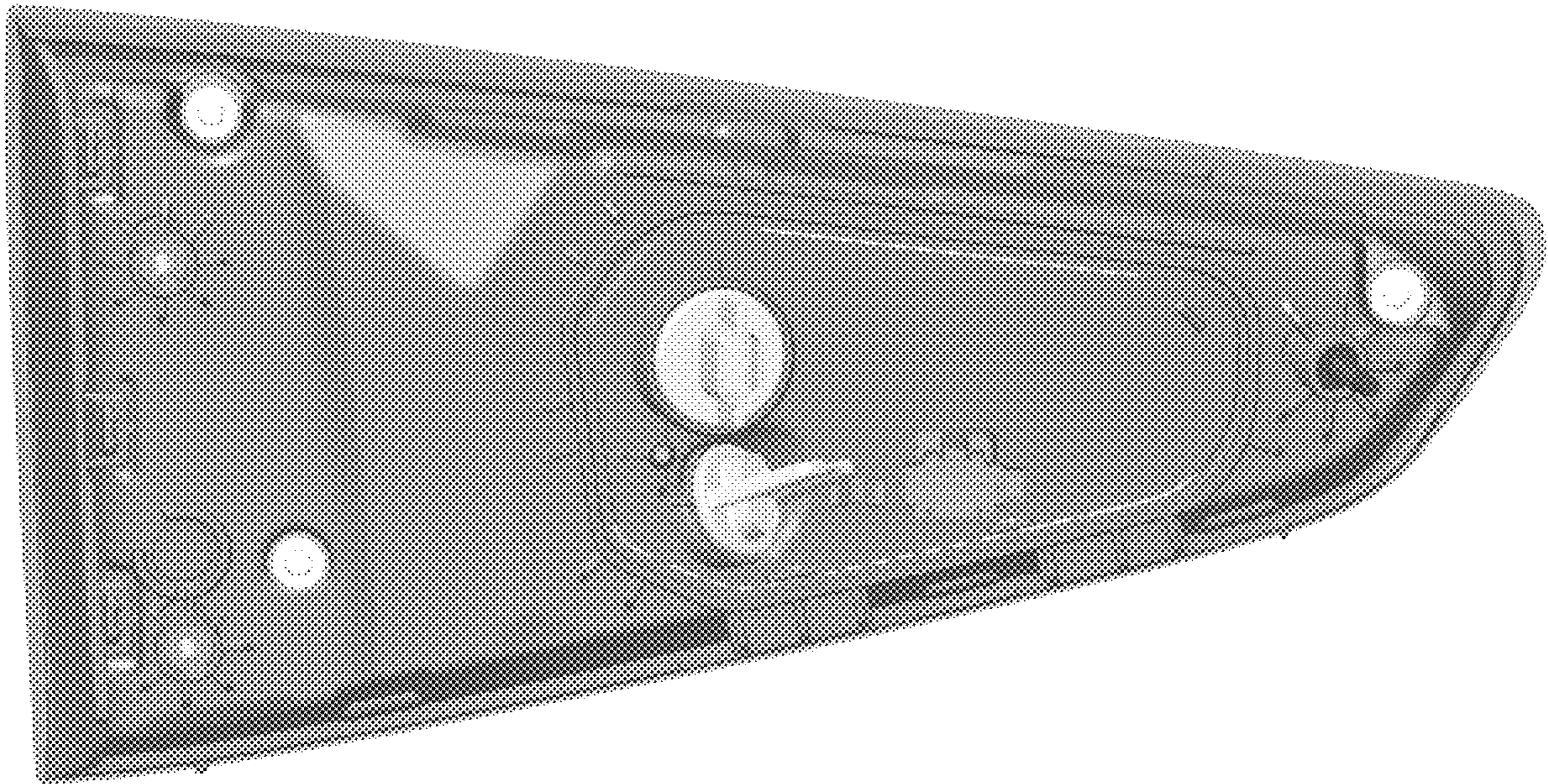
1.1



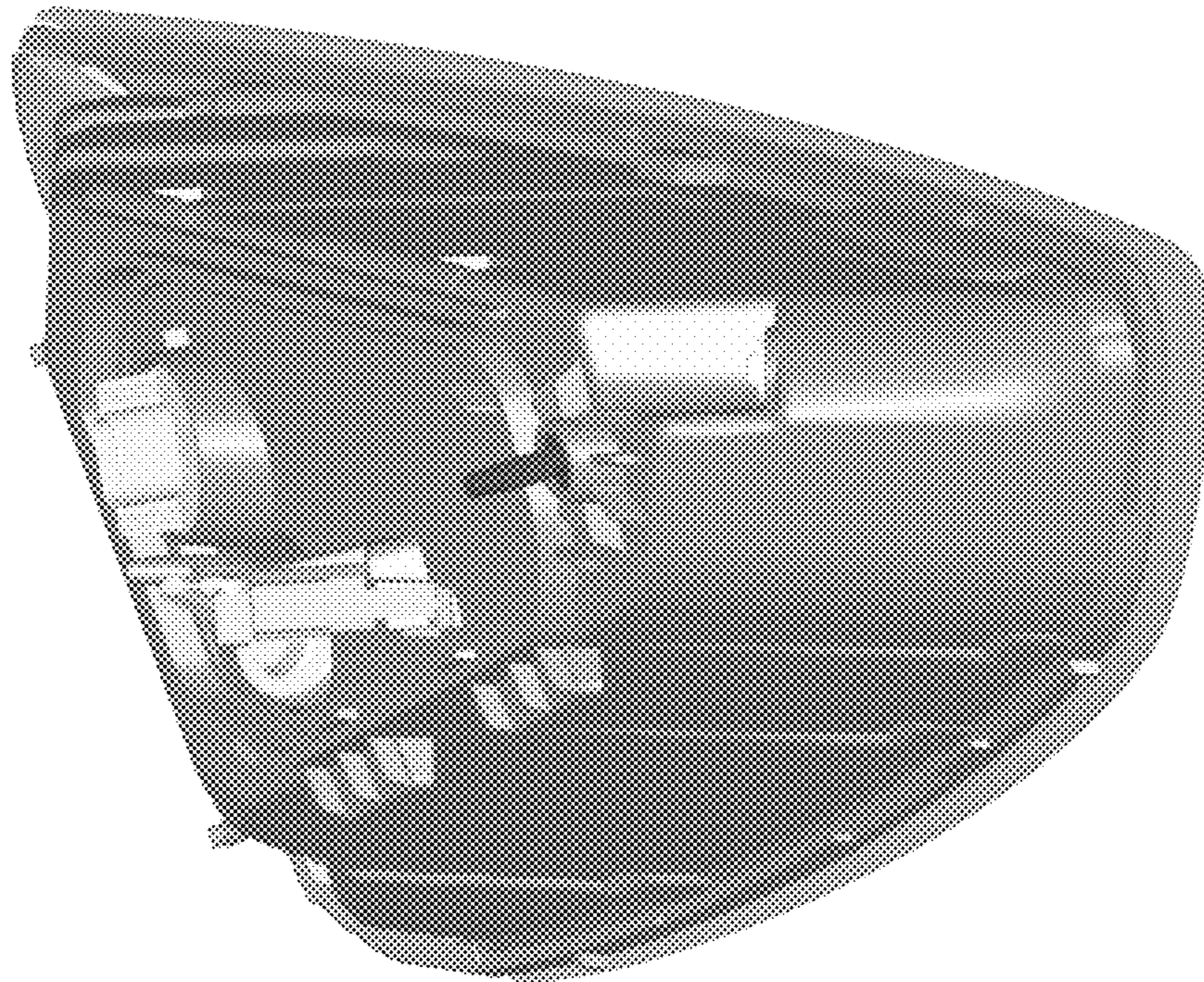
1.2



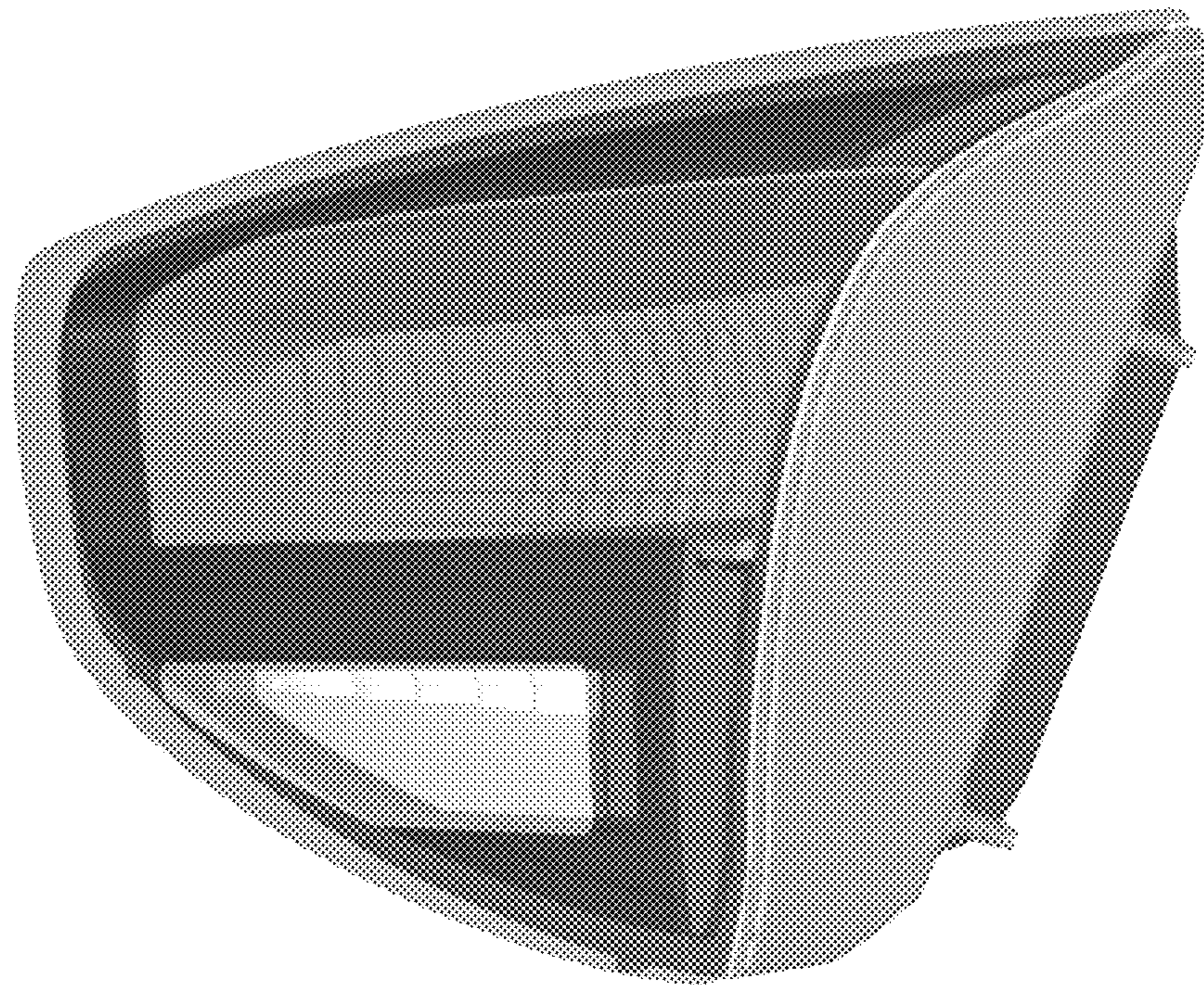
1.3



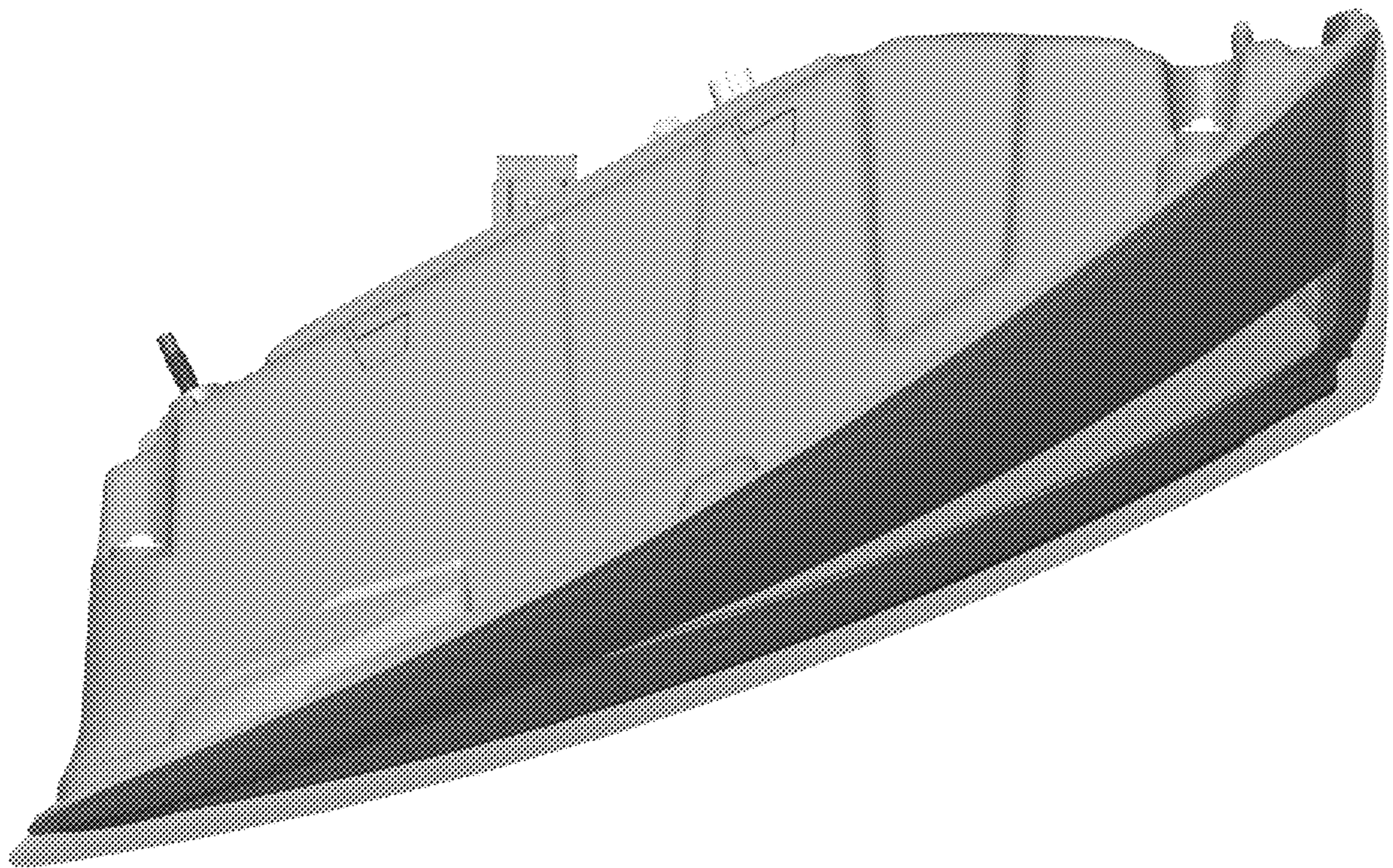
1.4



1.5



1.6



1.7

