



US00D869713S

(12) **United States Design Patent**
Shim et al.

(10) **Patent No.:** **US D869,713 S**
(45) **Date of Patent:** **** Dec. 10, 2019**

(54) **HEADLIGHT FOR CARS**

D819,850 S * 6/2018 Munakata D26/28
D851,295 S * 6/2019 Whang D26/28

(71) Applicants: **HYUNDAI MOTOR COMPANY**,
Seoul (KR); **KIA MOTORS**
CORPORATION, Seoul (KR)

OTHER PUBLICATIONS

(72) Inventors: **Joon-Bo Shim**, Anyang-si (KR);
Seung-Yeon Lee, Gwacheon-si (KR)

Screenshot excerpt (undated) from Wikipedia.org. Found online
Aug. 2, 2019 at https://simple.wikipedia.org/wiki/Hyundai_Tucson
(Year: 2019).*

(**) Term: **15 Years**

* cited by examiner

(21) Appl. No.: **35/505,997**

Primary Examiner — Robert M. Spear

(22) Filed: **Sep. 14, 2018**

(80) **Hague Agreement Data**

(57) **CLAIM**

Int. Filing Date: **Sep. 14, 2018**
Int. Reg. No.: **DM/103446**
Int. Reg. Date: **Sep. 14, 2018**
Int. Reg. Pub. Date: **Nov. 9, 2018**

The ornamental design for headlight for cars, as shown and
described.

(30) **Foreign Application Priority Data**

DESCRIPTION

Apr. 16, 2018 (KR) 3020180017658

(51) **LOC (12) Cl.** **26-06**

(52) **U.S. Cl.**
USPC **D26/35**

(58) **Field of Classification Search**
USPC D12/196; D26/28, 35, 36; D21/433
CPC .. F21S 41/00; F21S 41/20; F21S 41/30; F21S
43/14; F21S 43/15; F21S 43/20
See application file for complete search history.

- 1. Headlight for cars
- 1.1 : Perspective
- 1.2 : Front
- 1.3 : Back
- 1.4 : Left
- 1.5 : Right
- 1.6 : Top
- 1.7 : Bottom

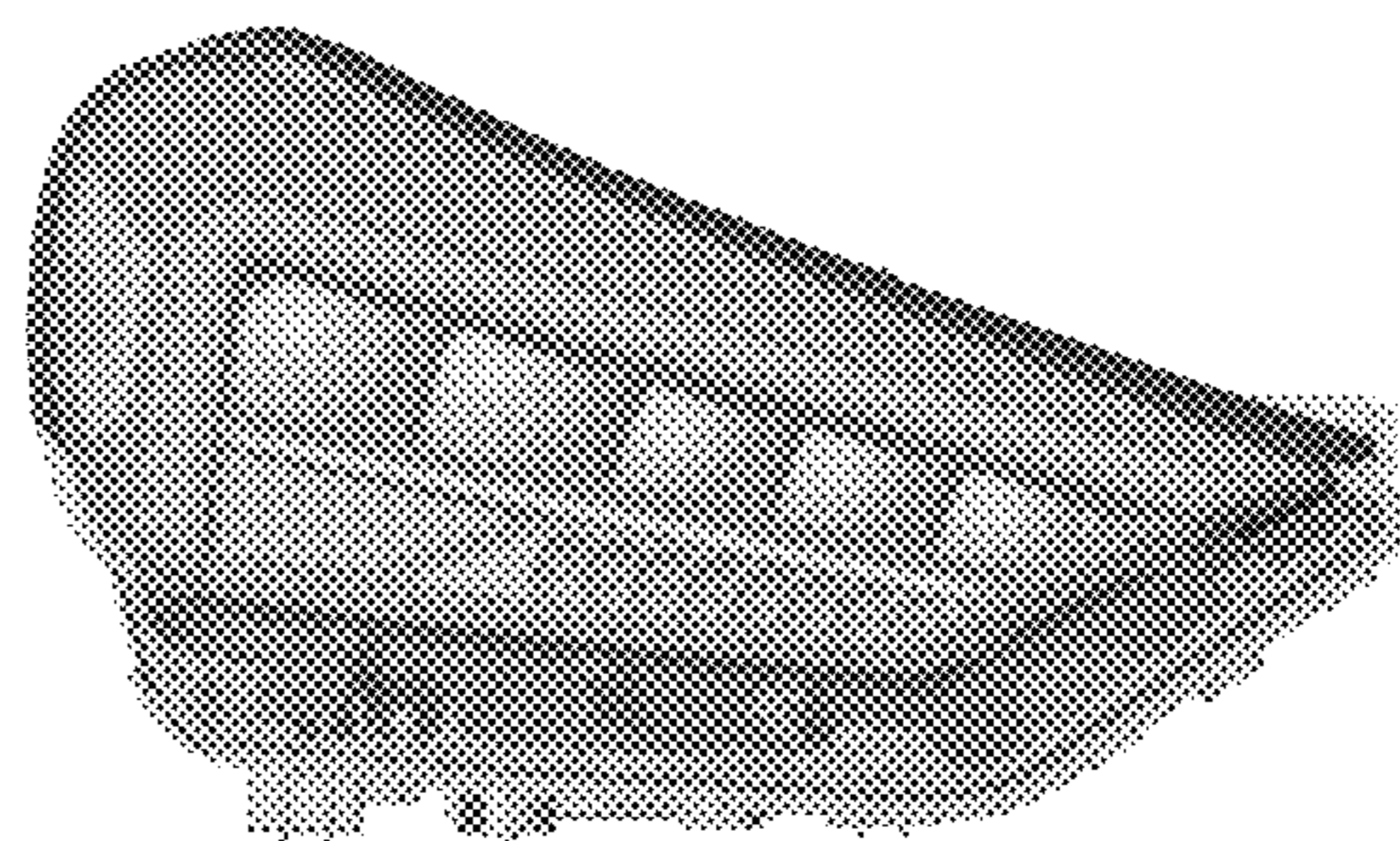
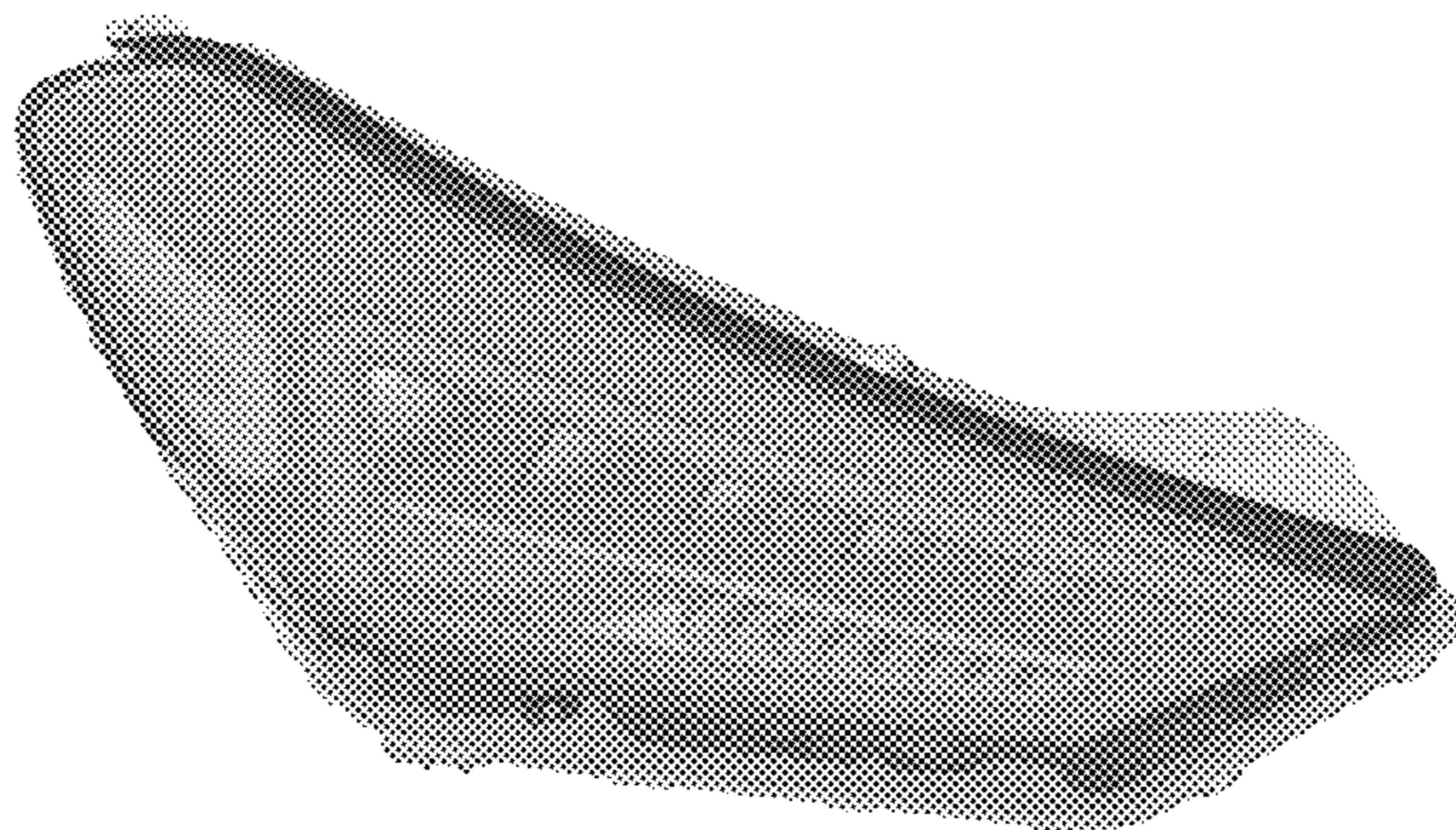
1.1 is a perspective view of a headlight for cars showing our
new design; 1.2 is a front elevation view thereof; 1.3 is a rear
elevation view thereof; 1.4 is a left side elevation view
thereof; 1.5 is a right side elevation view thereof; 1.6 is a top
plan view thereof; and 1.7 is a bottom plan view thereof.

(56) **References Cited**

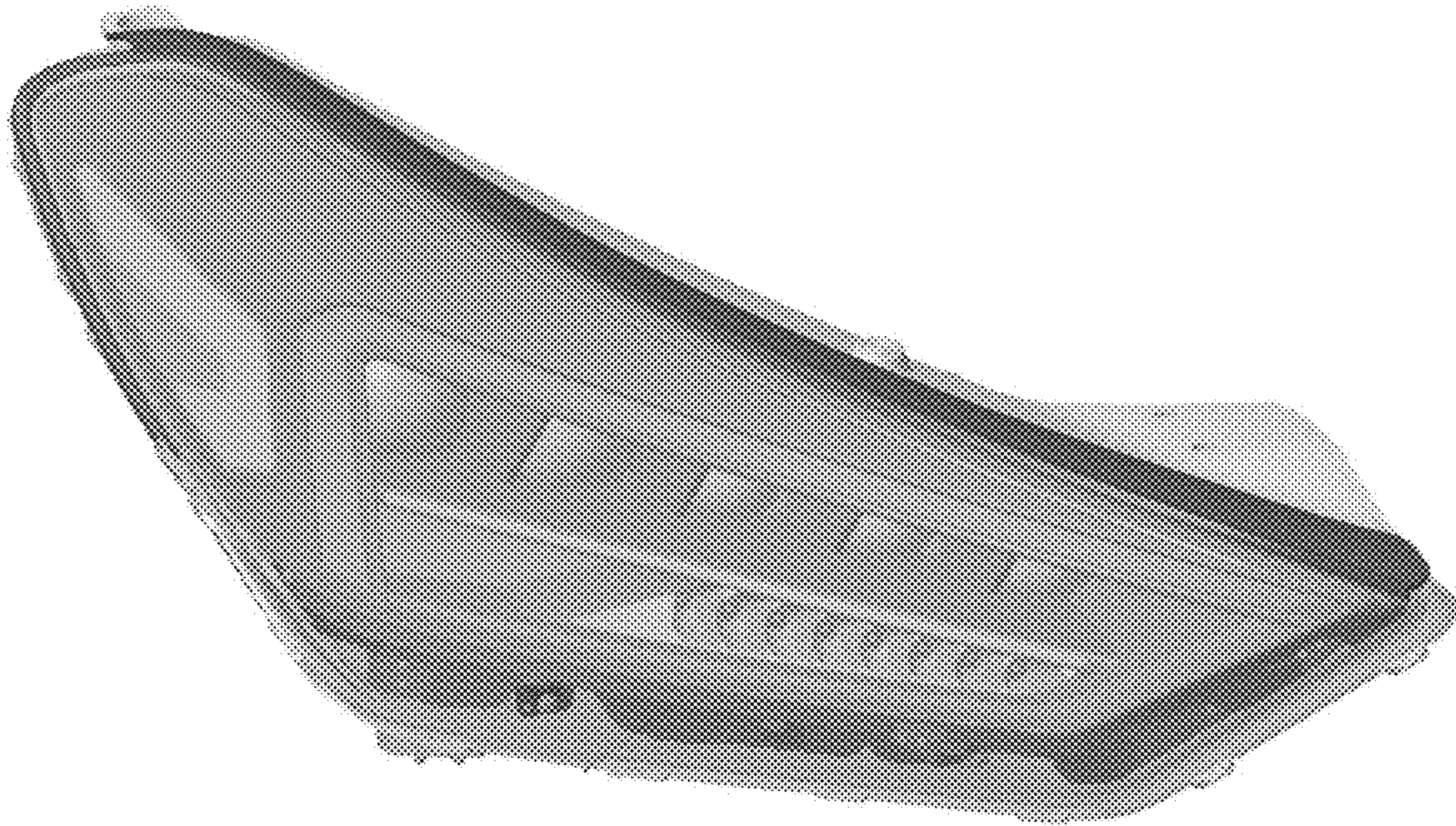
U.S. PATENT DOCUMENTS

1 Claim, 7 Drawing Sheets

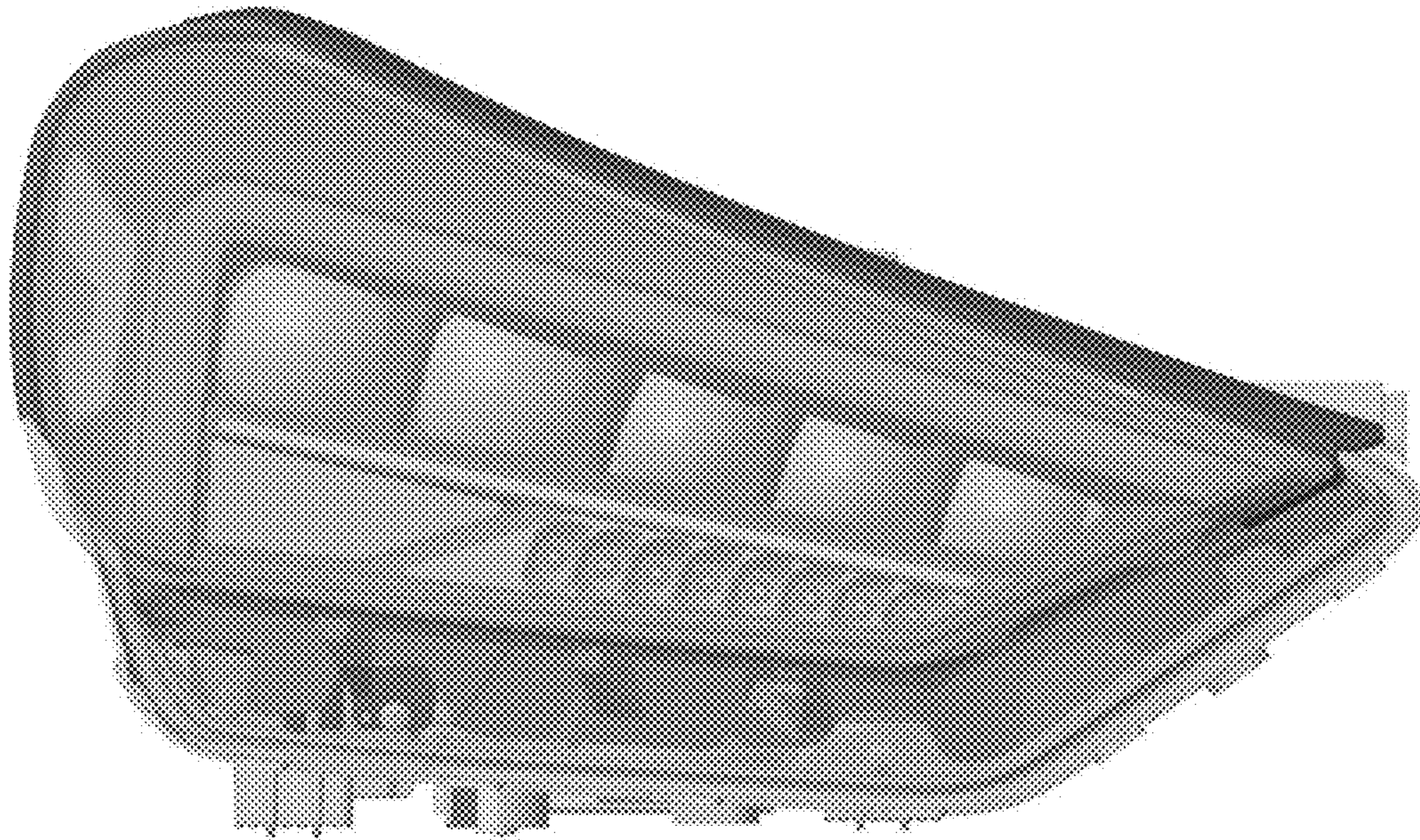
D782,713 S * 3/2017 Munakata D26/28



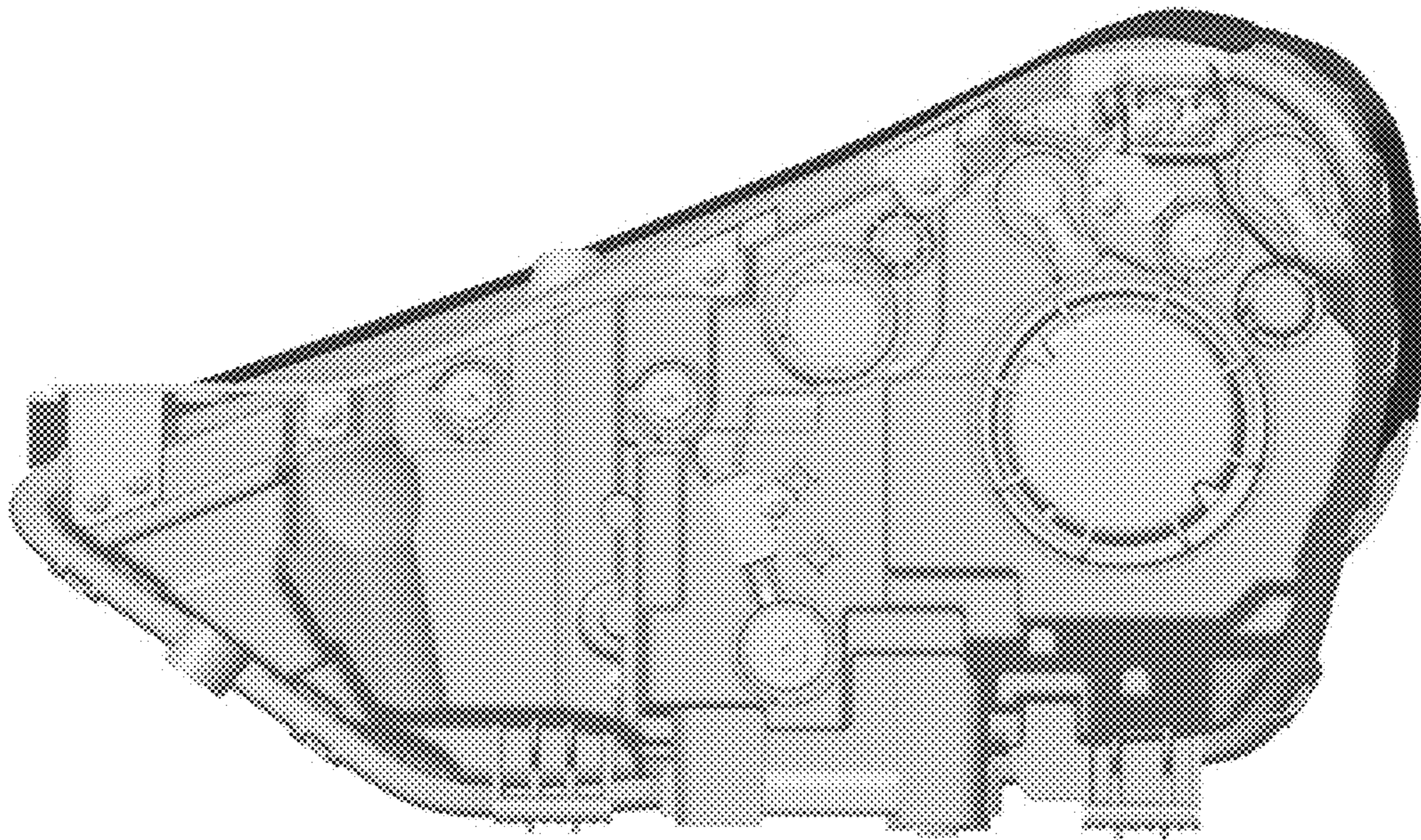
1.1



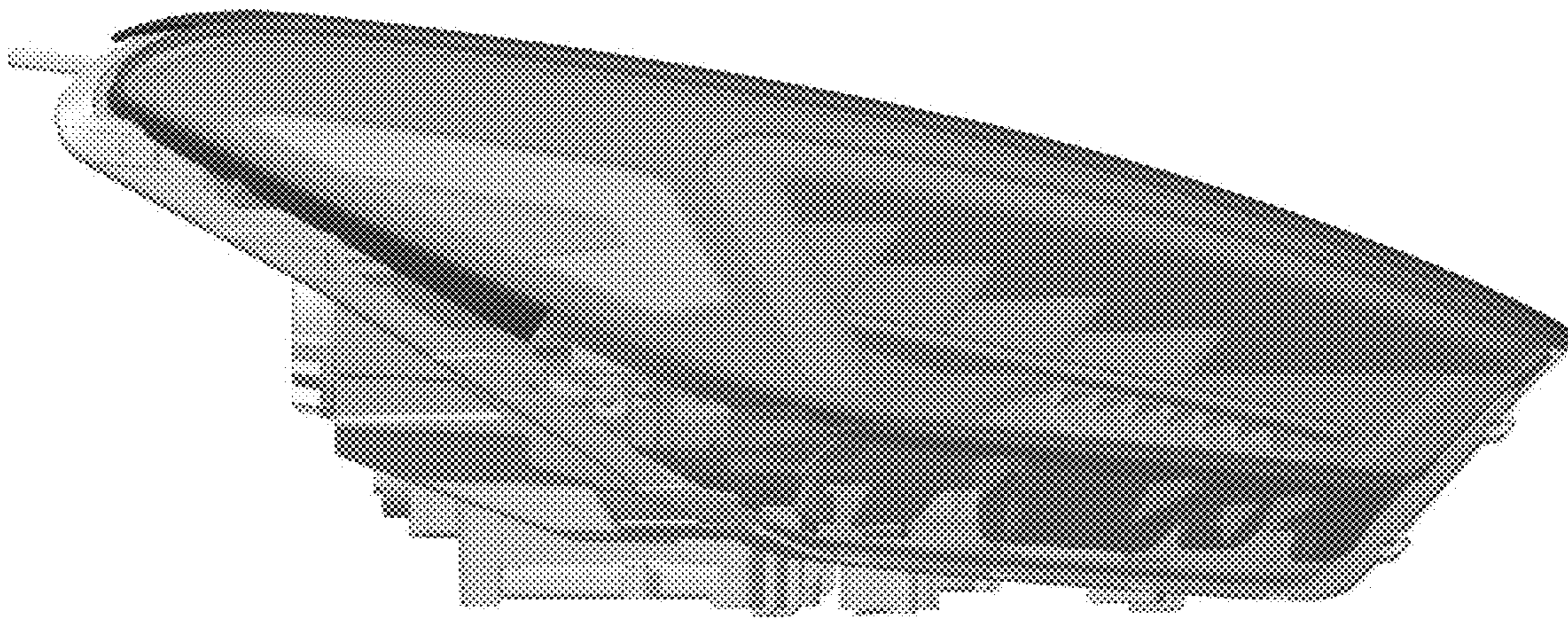
1.2



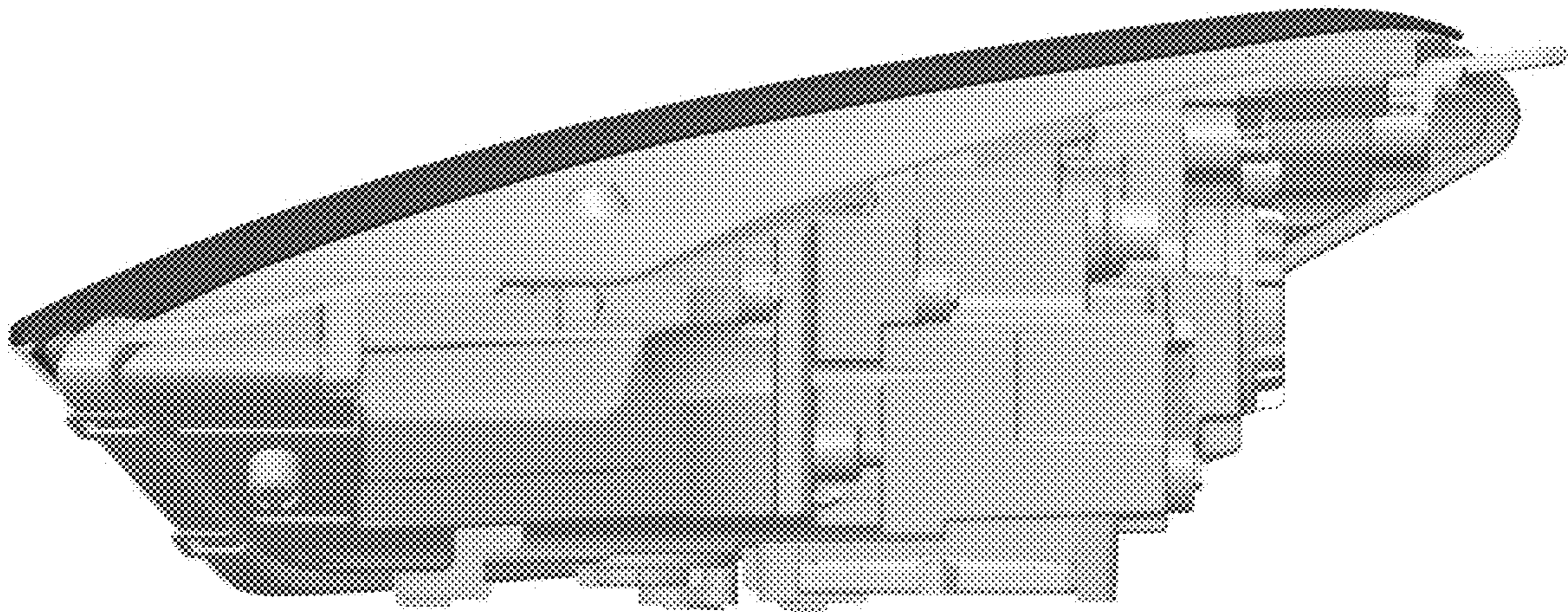
1.3



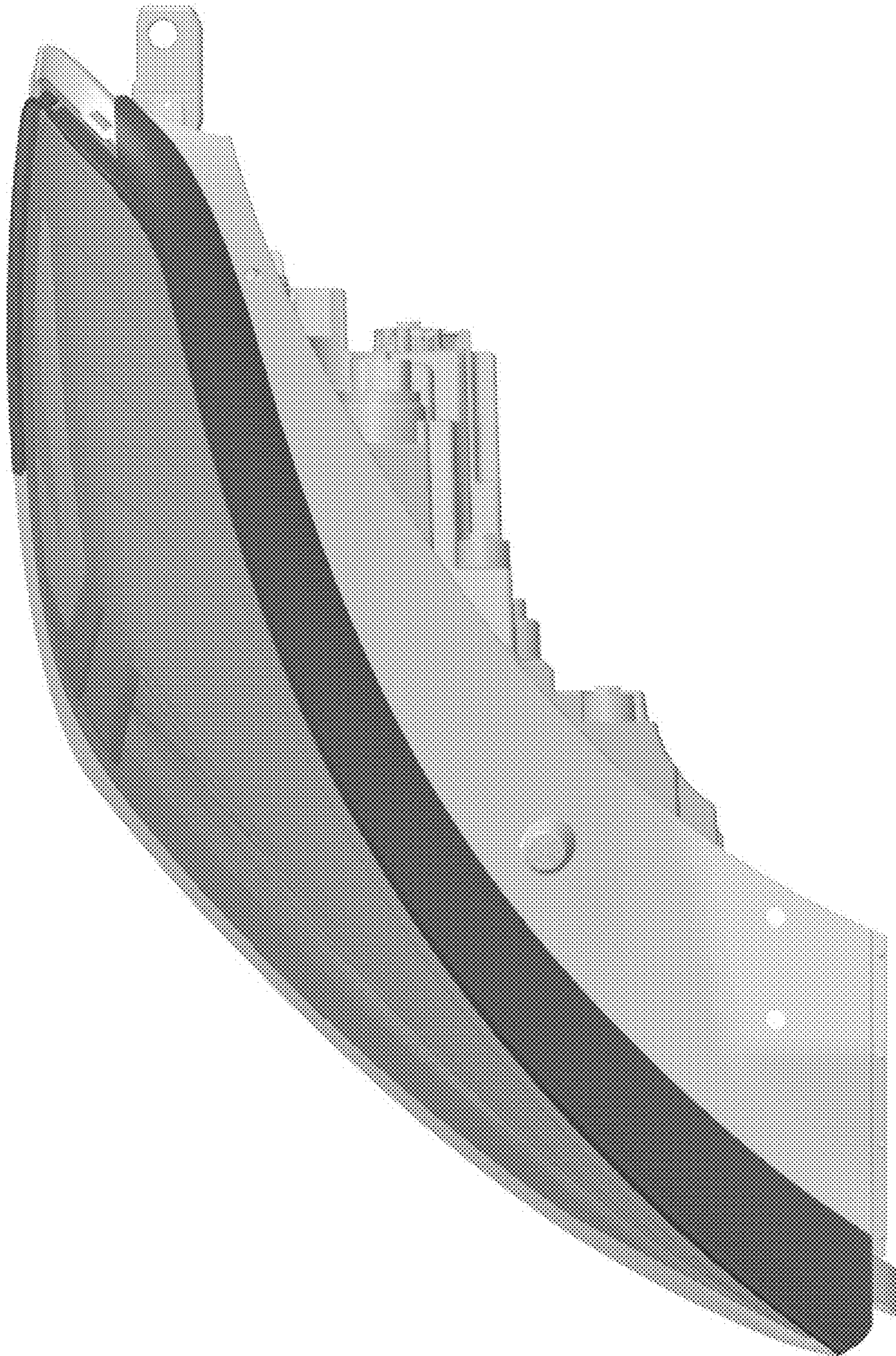
1.4



1.5



1.6



1.7

