



US00D869703S

(12) **United States Design Patent**
Tang et al.

(10) **Patent No.:** **US D869,703 S**

(45) **Date of Patent:** **** Dec. 10, 2019**

(54) **HEADLIGHT FOR BICYCLES**

D667,581 S * 9/2012 Lee D26/28
D760,931 S * 7/2016 Davies D26/28
D779,690 S * 2/2017 Nagano D26/28

(71) Applicant: **Xianshi Tang**, Foshan (CN)

* cited by examiner

(72) Inventors: **Xianshi Tang**, Guangzhou (CN); **Yu Zhu**, Guangzhou (CN); **Changsheng Liu**, Guangzhou (CN); **Ming Sun**, Guangzhou (CN)

Primary Examiner — Marcus A Jackson

(74) *Attorney, Agent, or Firm* — JMB Davis Ben-David

(73) Assignee: **Xianshi Tang**, Foshan (CN)

(57) **CLAIM**

The ornamental design for a headlight for bicycles, as shown and described.

(**) Term: **15 Years**

DESCRIPTION

(21) Appl. No.: **29/642,522**

(22) Filed: **Mar. 30, 2018**

(51) **LOC (12) Cl.** **26-06**

(52) **U.S. Cl.**
USPC **D26/28**

(58) **Field of Classification Search**
USPC D26/28–36, 139
CPC F21S 48/00; F21S 48/10; F21S 48/115;
F21S 48/225; F21S 48/1233; F21S
48/1266; F21S 48/1388; F21S 48/2268;
F21V 21/04; B60Q 9/13; B60Q 9/135;
B60Q 9/1375

See application file for complete search history.

FIG. 1 shows a front view of a headlight for bicycles;
FIG. 2 is a rear view thereof;
FIG. 3 is a left-side view thereof;
FIG. 4 is a right-side view thereof;
FIG. 5 is a top view thereof;
FIG. 6 is a bottom view thereof;
FIG. 7 is a perspective view thereof;
FIG. 8 is a front view thereof, showing contour shading;
FIG. 9 is a rear view thereof, showing contour shading;
FIG. 10 is a left-side view thereof, showing contour shading;
FIG. 11 is a right-side view thereof, showing contour shading;
FIG. 12 is a top view thereof, showing contour shading;
FIG. 13 is a bottom view thereof, showing contour shading;
and,
FIG. 14 is a perspective view thereof, showing contour shading.

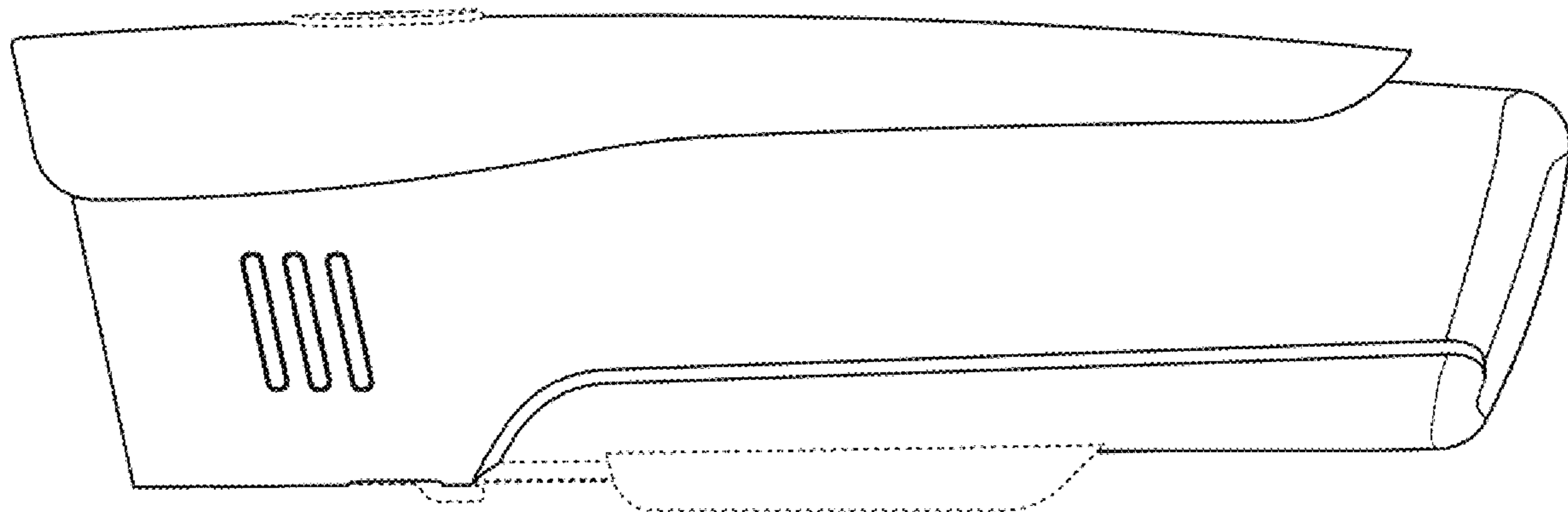
Any broken lines depict unclaimed portions of the headlight for bicycles and form no part of the claimed design.

(56) **References Cited**

U.S. PATENT DOCUMENTS

D523,573 S * 6/2006 Lee D26/28
D540,966 S * 4/2007 Ueda D26/28
D584,840 S * 1/2009 Okuda D26/28
D608,485 S * 1/2010 Liao D26/60

1 Claim, 14 Drawing Sheets



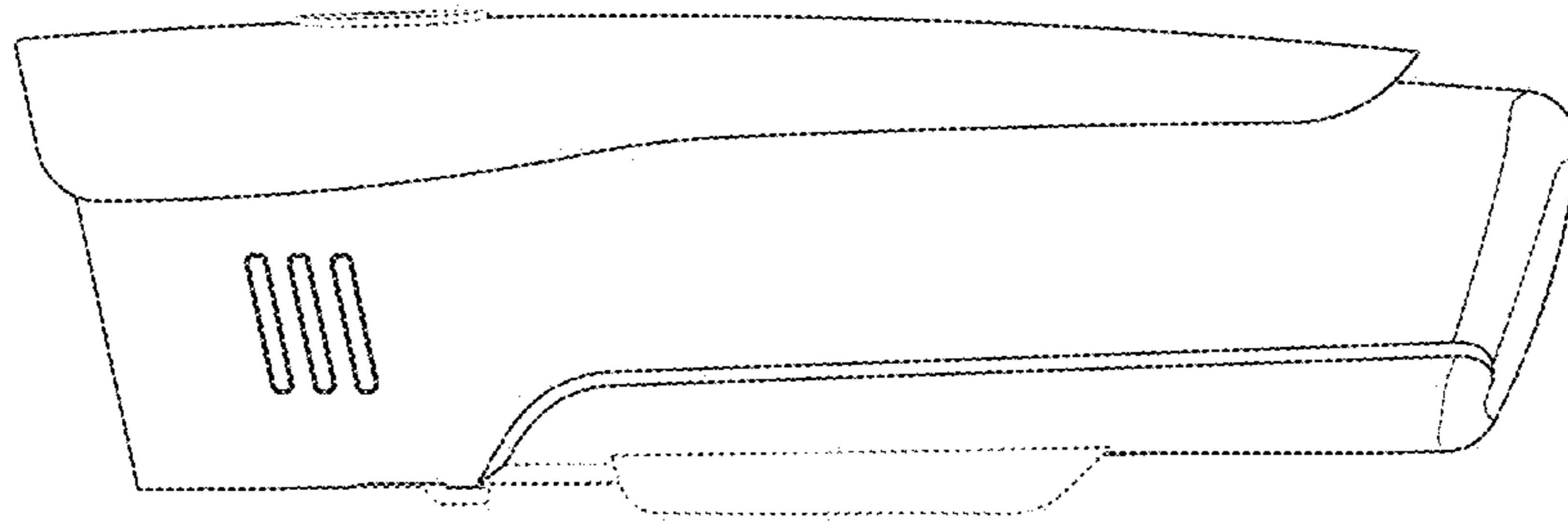


Figure 1

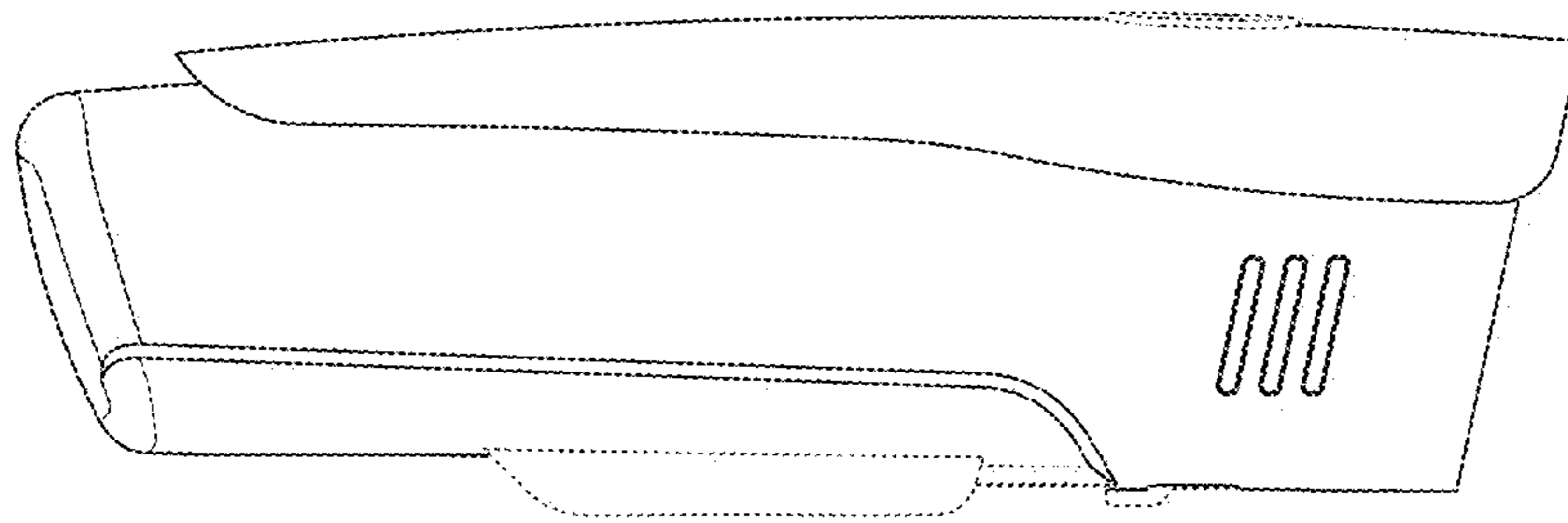


Figure 2

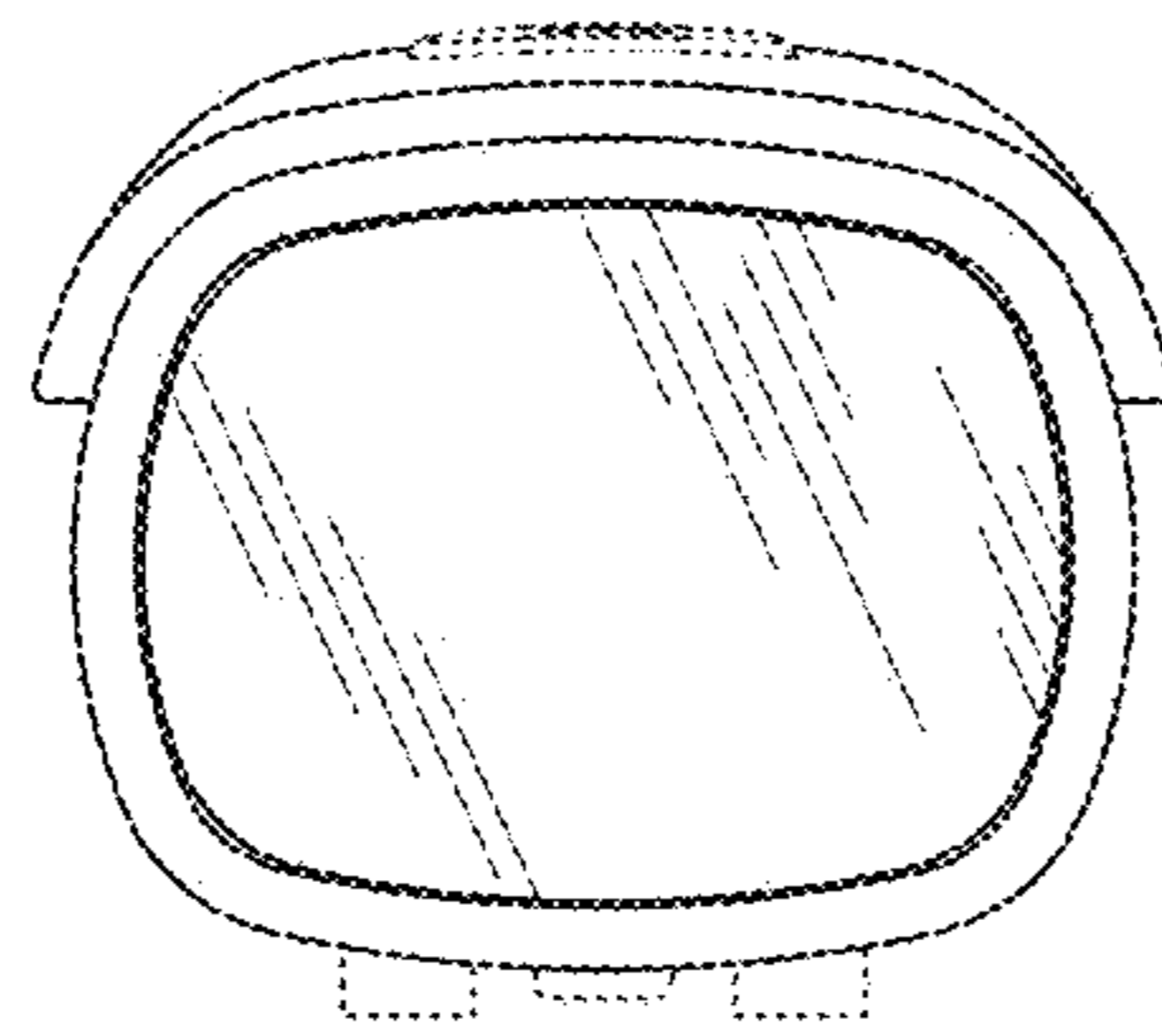


Figure 3

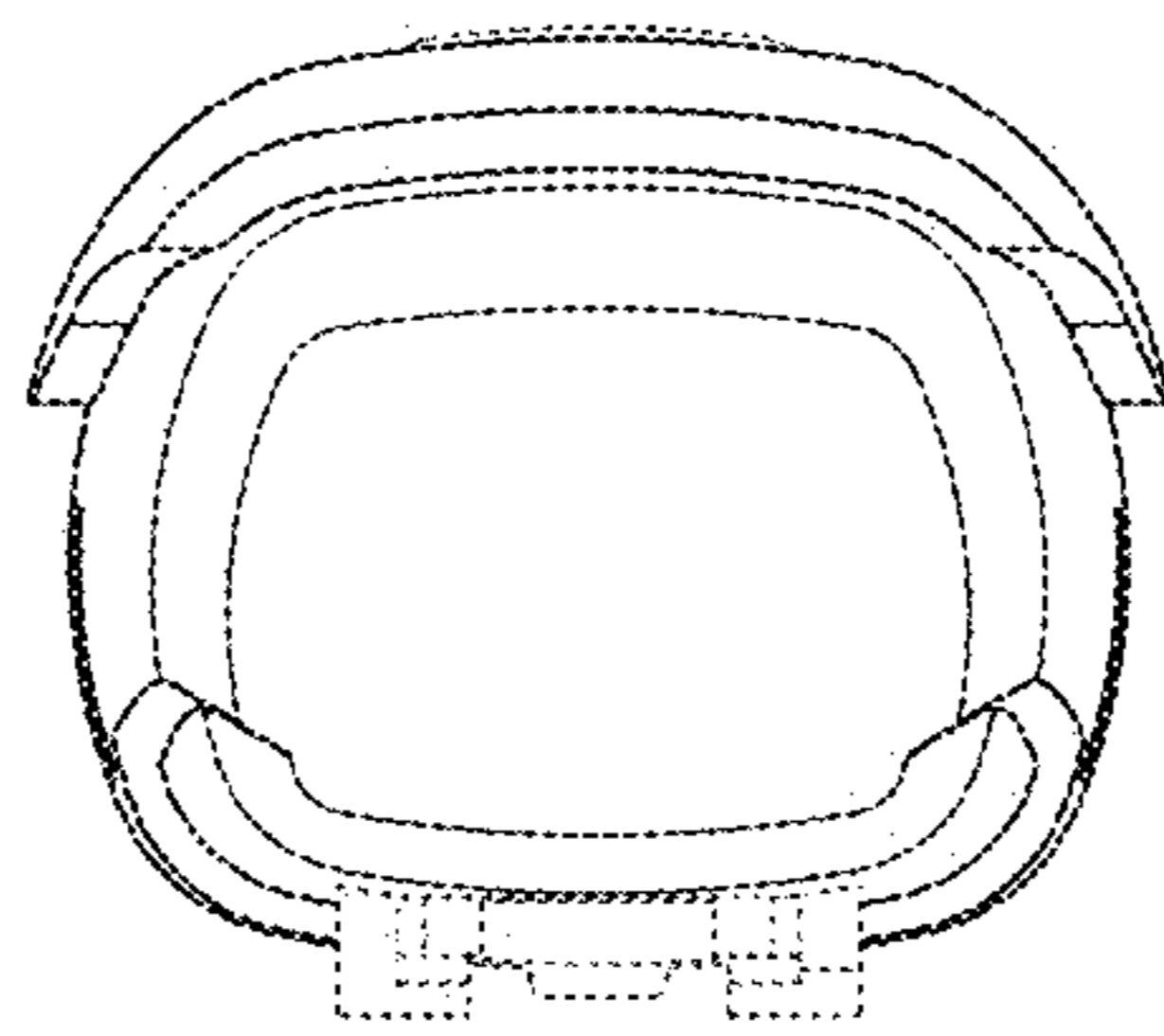


Figure 4

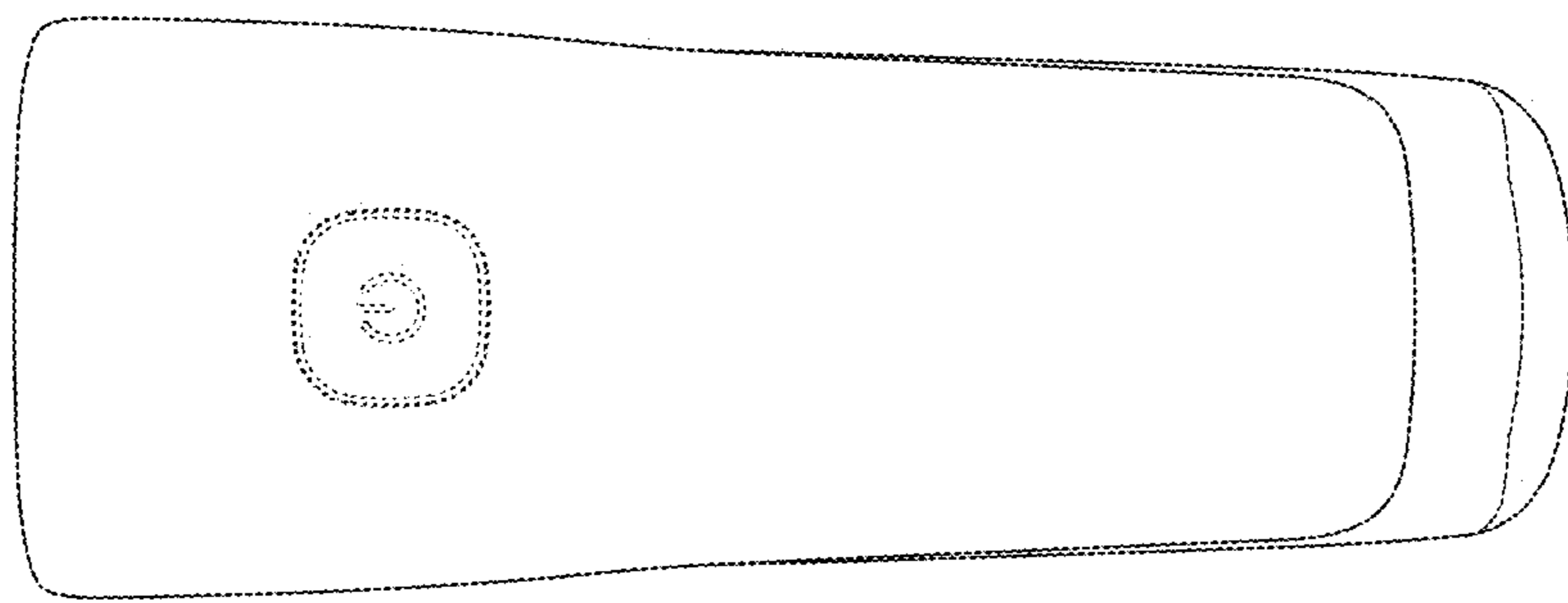


Figure 5

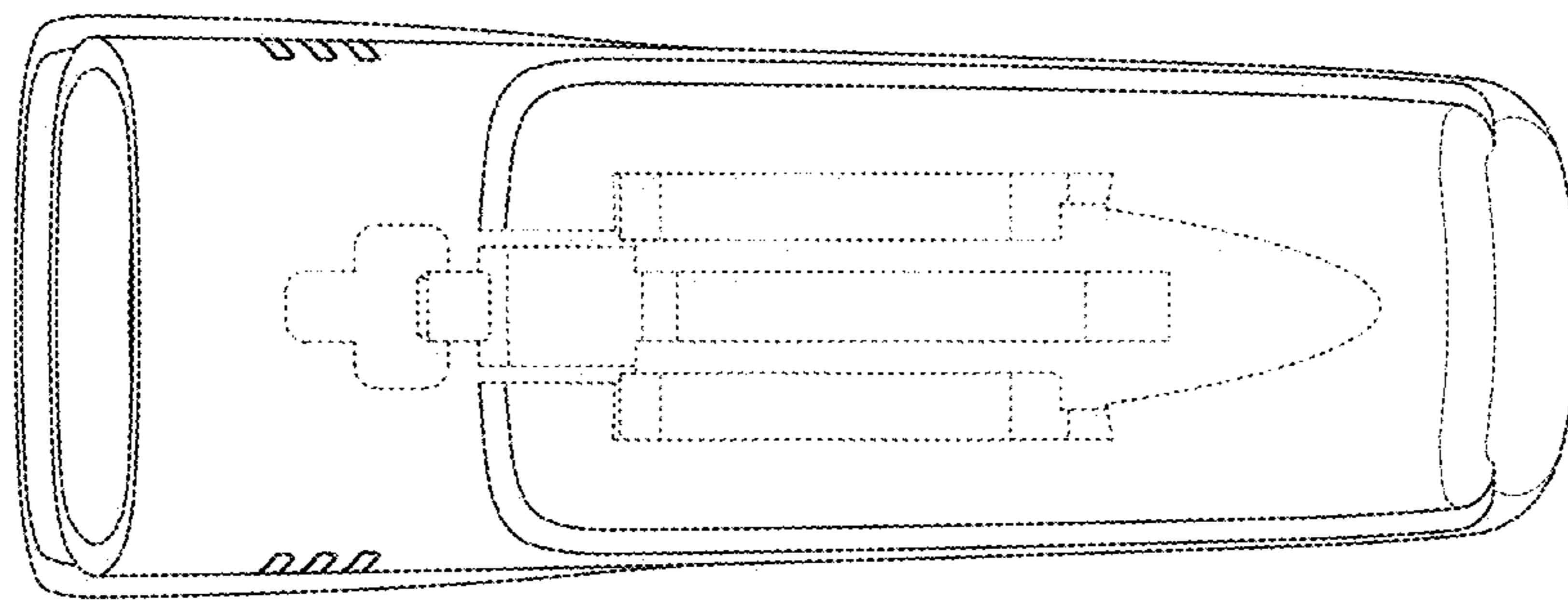


Figure 6

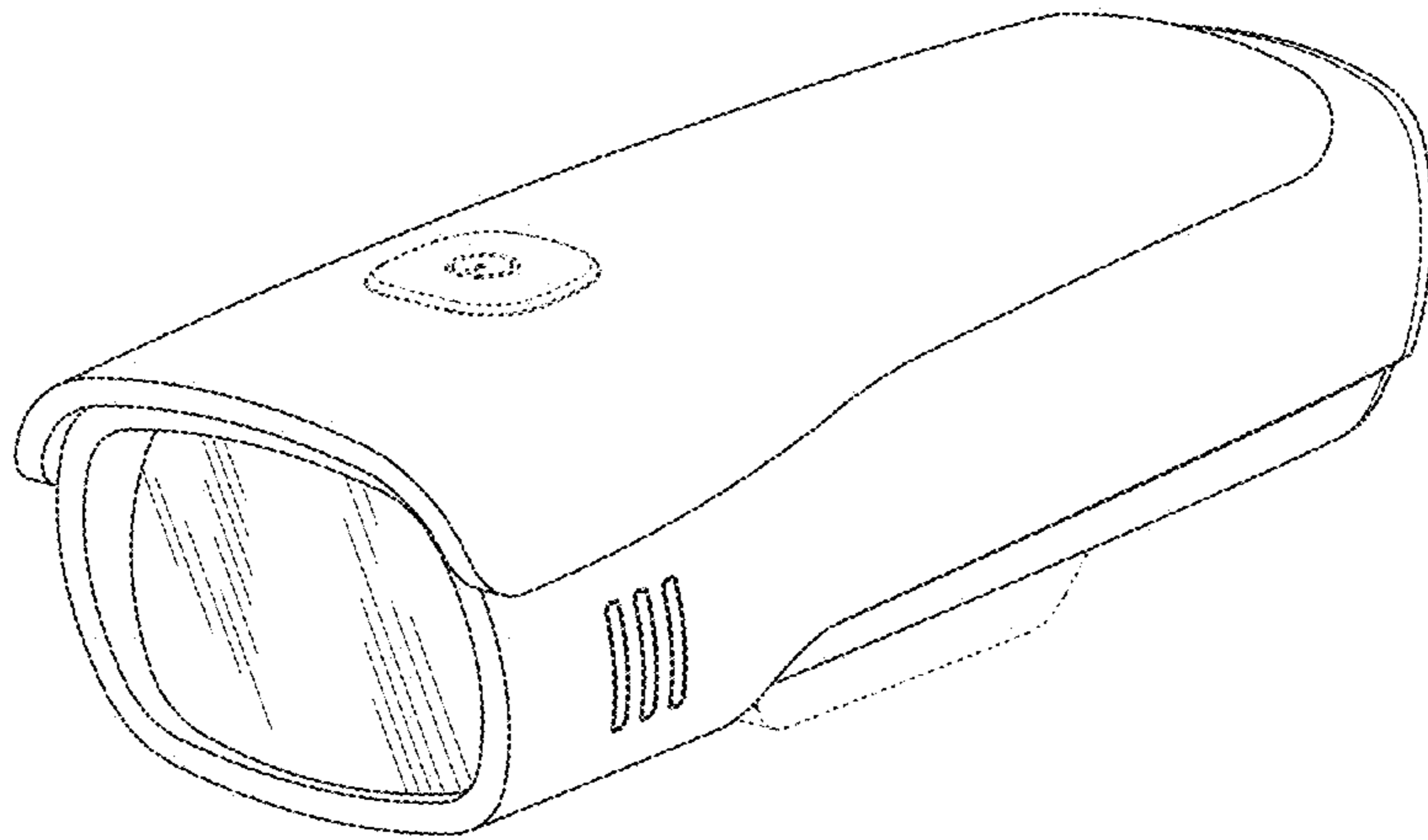


Figure 7

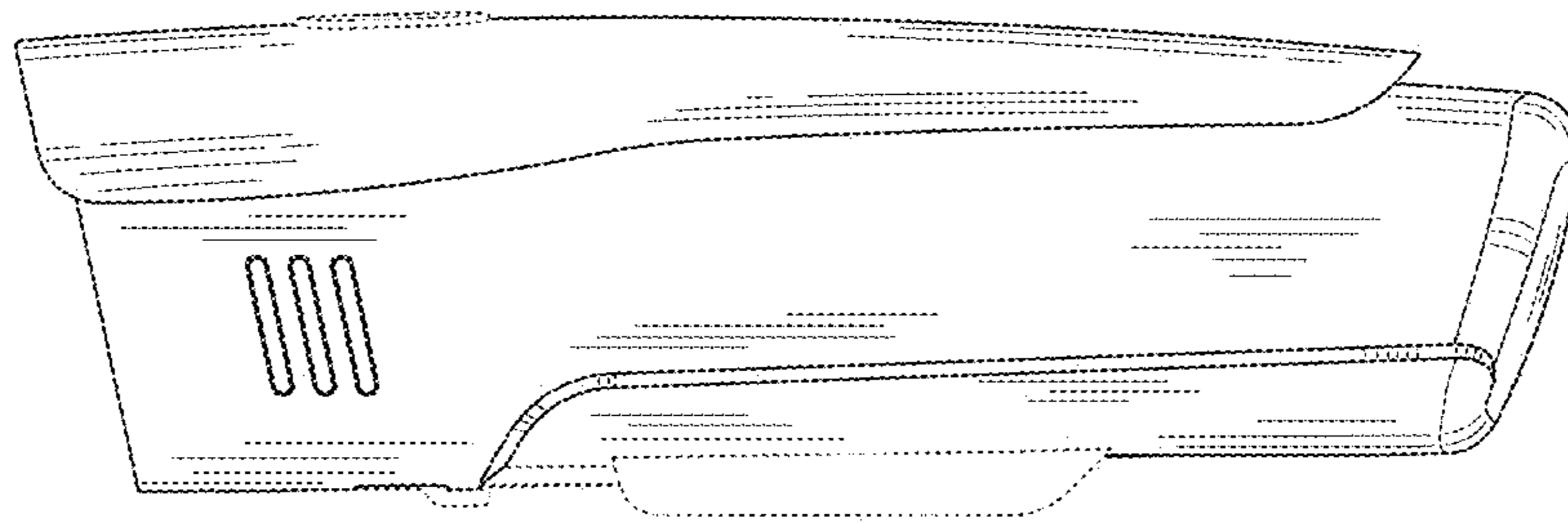


Figure 8

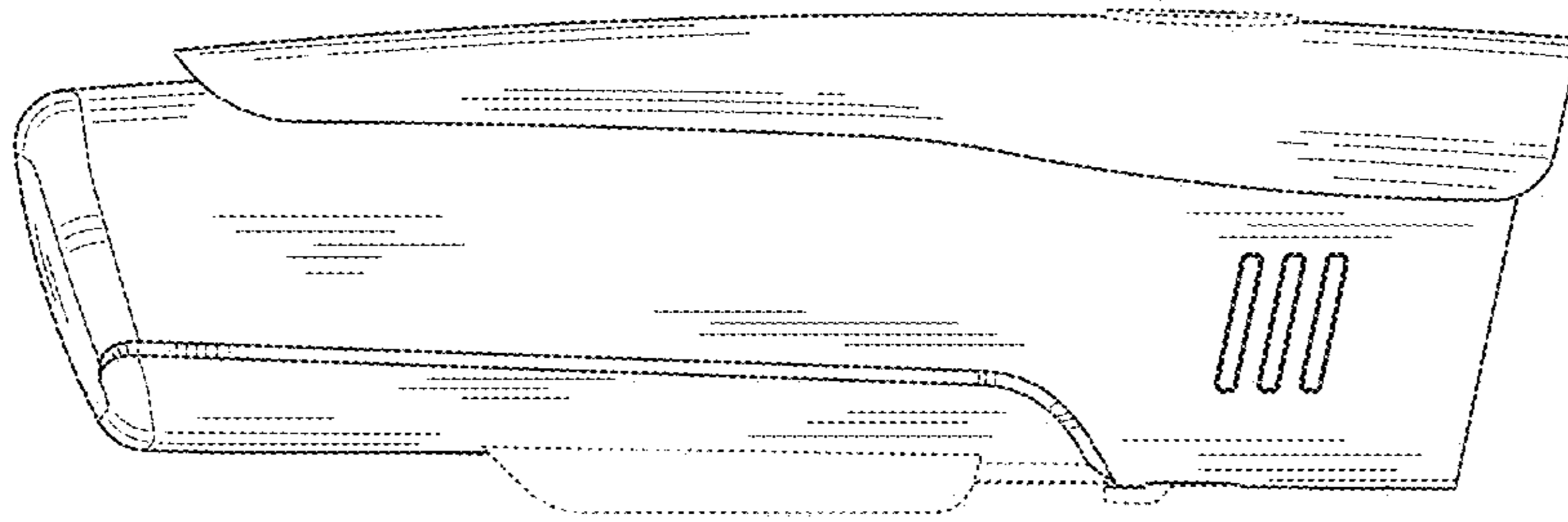


Figure 9

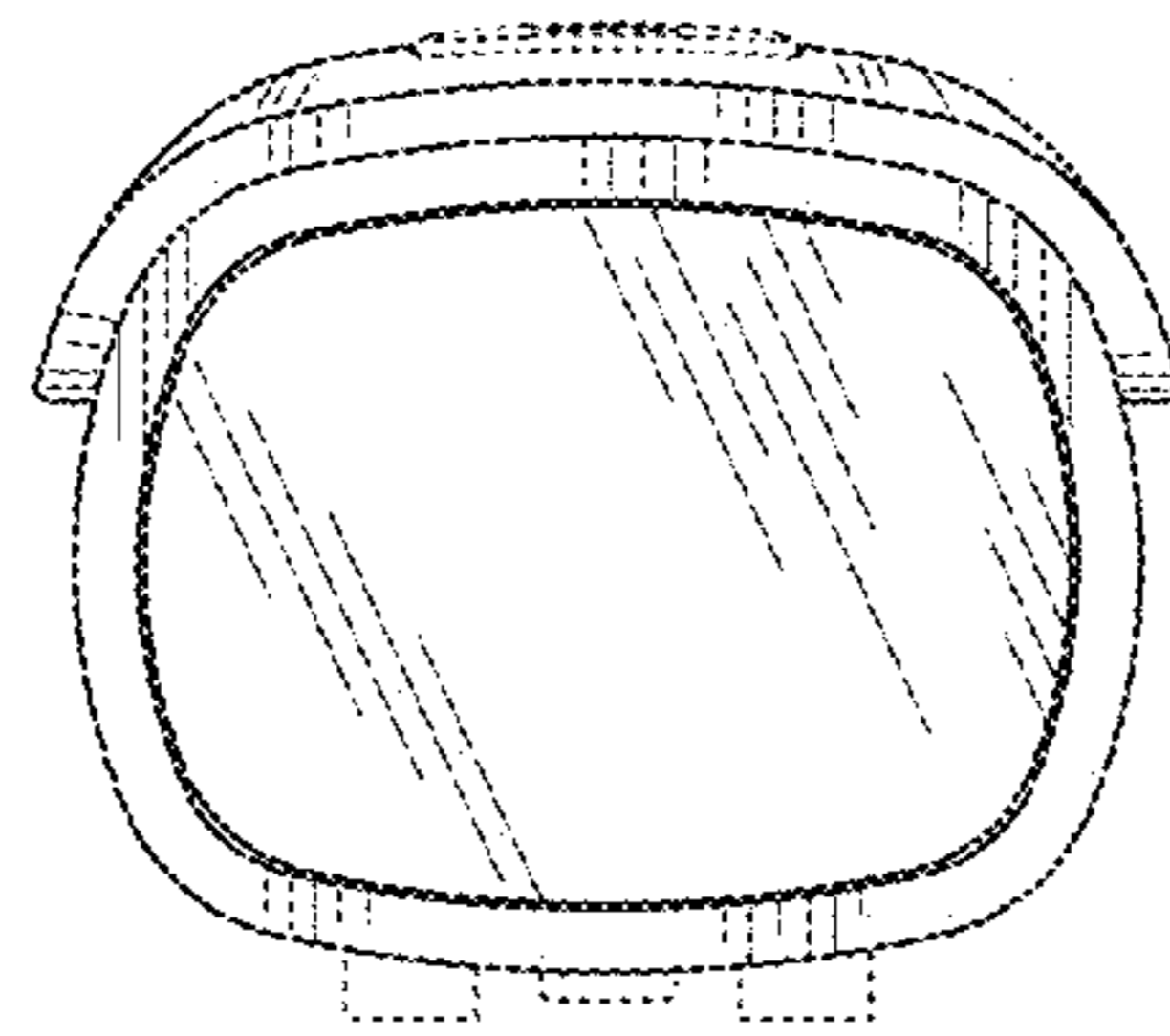


Figure 10

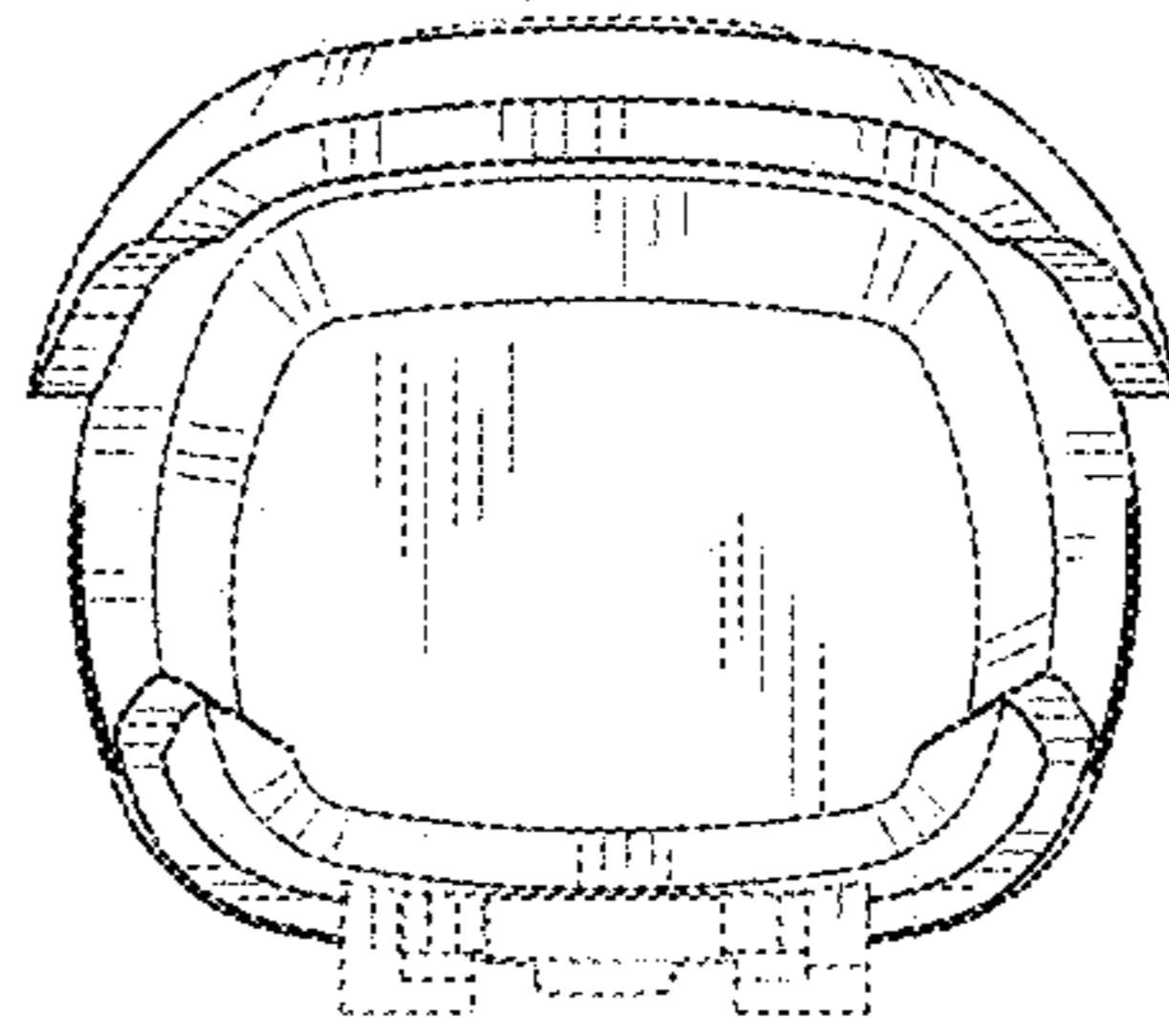


Figure 11

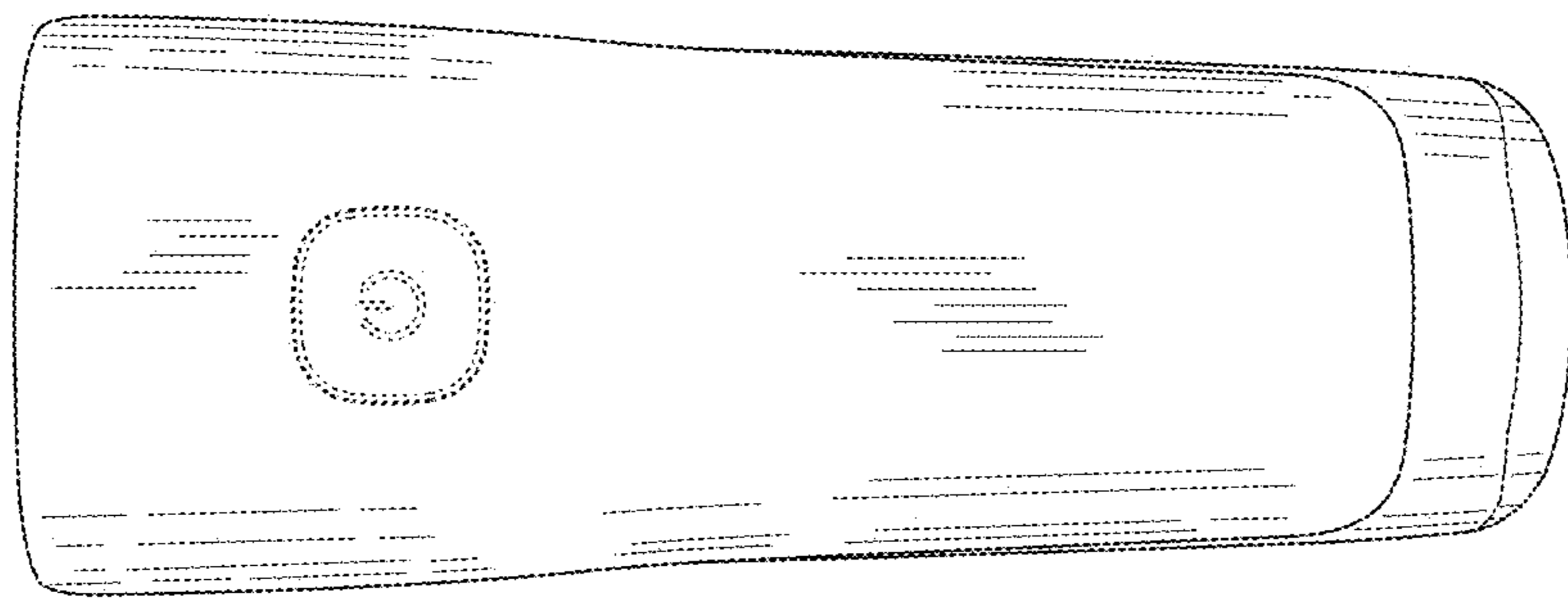


Figure 12

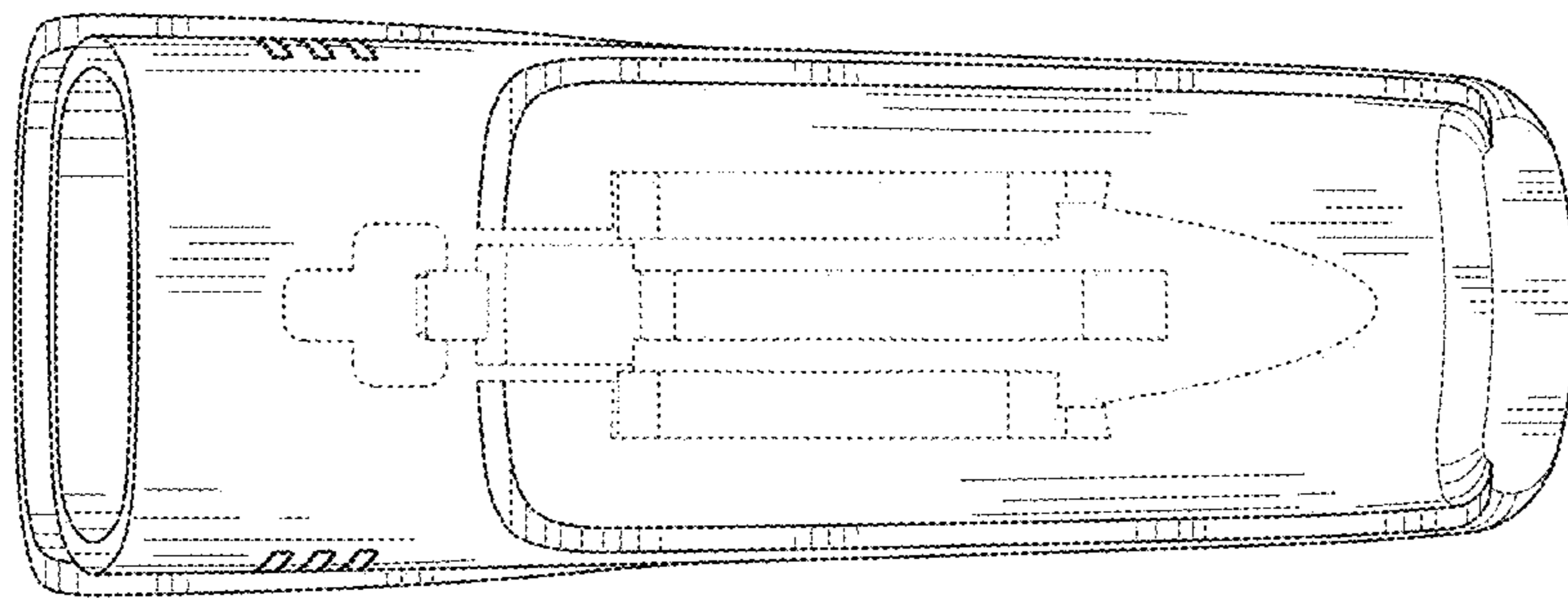


Figure 13

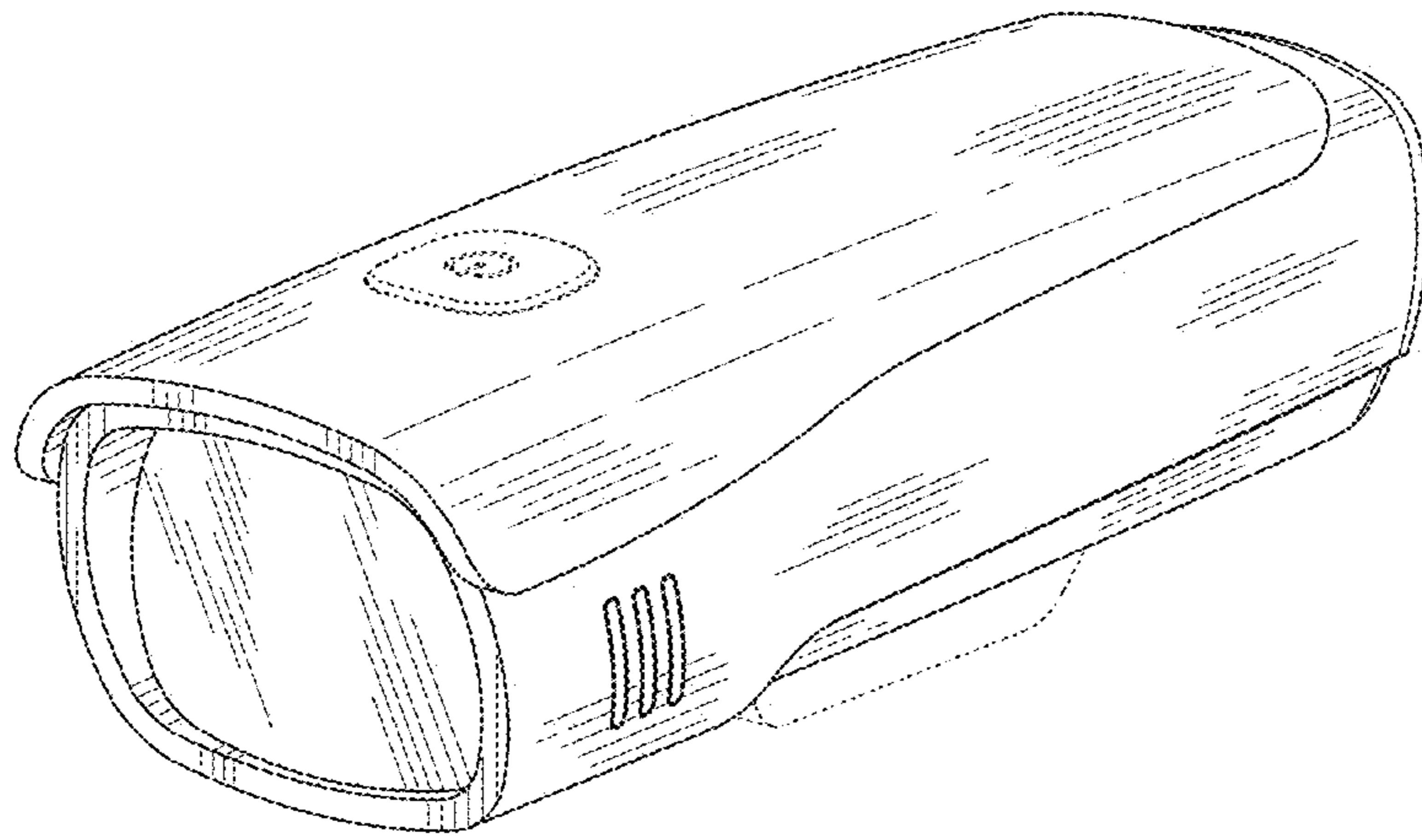


Figure 14