



US00D869701S

(12) **United States Design Patent** (10) **Patent No.:** **US D869,701 S**
Wu (45) **Date of Patent:** **** Dec. 10, 2019**

(54) **VEHICLE LIGHT PART**
(71) Applicant: **COPLUS INC.**, Tainan (TW)
(72) Inventor: **Po-Hua Wu**, Tainan (TW)
(73) Assignee: **Coplus Inc.**, Tainan (TW)
(**) Term: **15 Years**

D748,305 S * 1/2016 Miyazawa D26/28
D749,251 S * 2/2016 Nakahara D26/28
D757,967 S * 5/2016 Kim D26/28
D761,463 S * 7/2016 Lai D26/28
D788,956 S * 6/2017 Hong D26/28
D794,853 S * 8/2017 Lai D26/28
D799,728 S * 10/2017 Whitla D26/28
D809,682 S * 2/2018 Lin D26/28
D812,273 S * 3/2018 Wu D26/28
D812,275 S * 3/2018 Wu D26/28

(Continued)

(21) Appl. No.: **29/628,682**

(22) Filed: **Dec. 6, 2017**

(30) **Foreign Application Priority Data**

Jun. 8, 2017 (TW) 106303127

(51) **LOC (12) Cl.** **26-05**

(52) **U.S. Cl.**
USPC **D26/28**

(58) **Field of Classification Search**
USPC D26/26, 28, 63, 72, 75, 76, 139; D12/91,
D12/164, 169
CPC F21S 41/00
See application file for complete search history.

(56) **References Cited**

U.S. PATENT DOCUMENTS

4,646,207 A * 2/1987 Levin B60Q 1/0005
362/522
4,707,767 A * 11/1987 Bergin B60Q 1/0041
362/544
D474,290 S * 5/2003 Sawai D26/28
D549,857 S * 8/2007 Lin D26/28
D675,759 S * 2/2013 Wada D26/28
D677,813 S * 3/2013 Hanaoka D26/28
D701,985 S * 4/2014 Wu D26/28
D707,374 S * 6/2014 Kim D26/28
D723,723 S * 3/2015 Goto D26/28
D735,920 S * 8/2015 Honda D26/28
D740,982 S * 10/2015 Sagawa D26/28
D745,717 S * 12/2015 Wu D26/28

OTHER PUBLICATIONS

“2016+ Honda Civic LED Headlights (Sequential).” Found online Jun. 5, 2019 at www.youtube.com. Video published May 18, 2018. Retrieved from URL: <https://www.youtube.com/watch?v=B1B8HwsmDWA> (Year: 2018).*

(Continued)

Primary Examiner — Garth Rademaker
Assistant Examiner — Katelin G Kloberg
(74) *Attorney, Agent, or Firm* — Lewis Roca Rothgerber Christie LLP

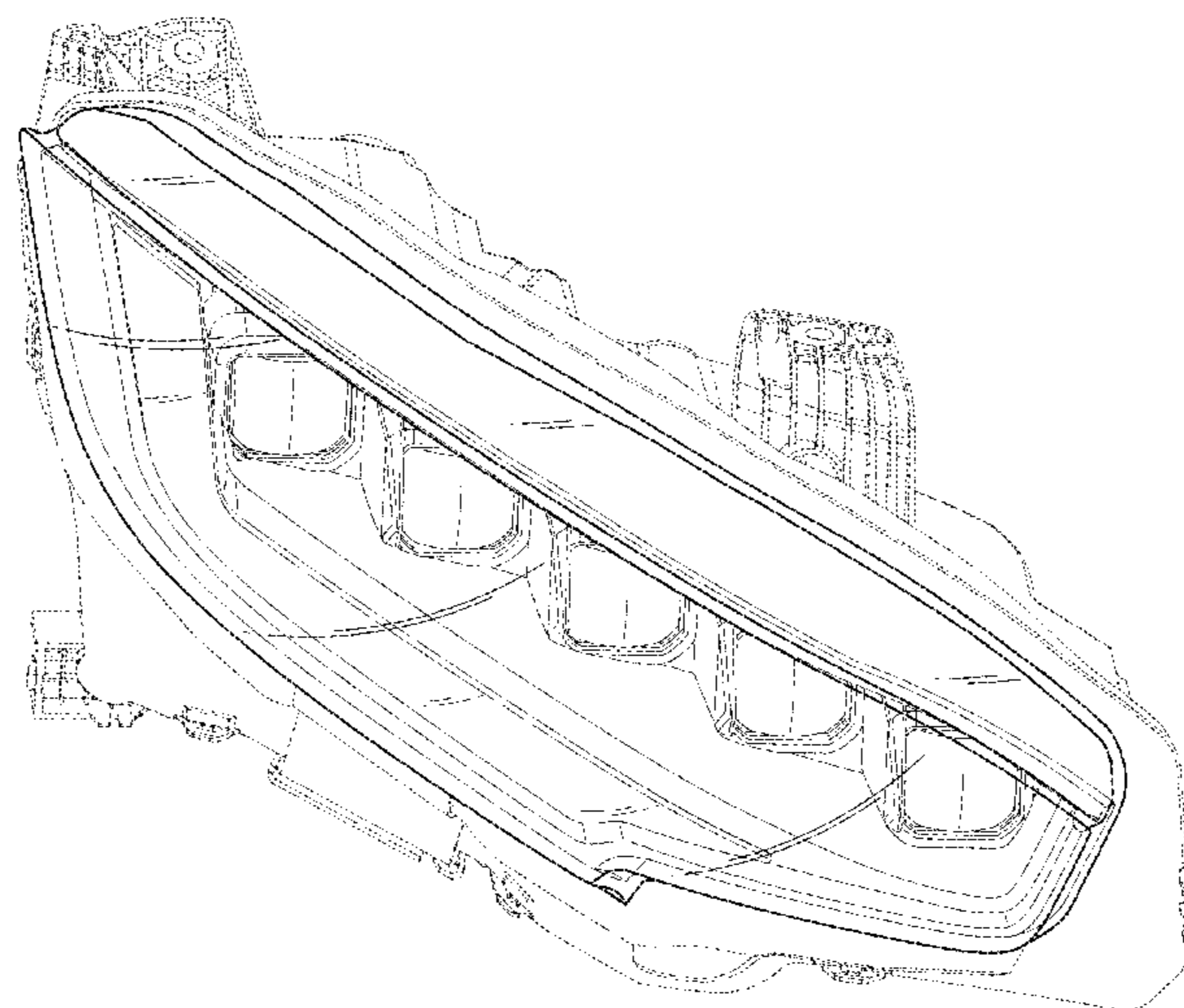
(57) **CLAIM**

The ornamental design for a vehicle light part, as shown and described.

DESCRIPTION

FIG. 1 is a perspective view of a vehicle light part, showing my new design;
FIG. 2 is a front view thereof;
FIG. 3 is a rear view thereof;
FIG. 4 is a left side view thereof;
FIG. 5 is a right side view thereof;
FIG. 6 is a top view thereof; and,
FIG. 7 is a bottom view.
The broken lines depict portions of the article that form no part of the claimed design.

1 Claim, 7 Drawing Sheets



(56)

References Cited

U.S. PATENT DOCUMENTS

D812,791	S *	3/2018	Wu	D26/28
D820,487	S *	6/2018	Lai	D26/28
D824,058	S *	7/2018	Hong	D26/28
D830,591	S *	10/2018	Lai	D26/28
D838,019	S *	1/2019	Lin	D26/28
D840,565	S *	2/2019	Whitla	D26/28
D841,203	S *	2/2019	Badstuebner	D26/28
10,195,981	B1 *	2/2019	Wu	F21S 41/148
D842,506	S *	3/2019	Kim	D26/28
D843,034	S *	3/2019	Kim	D26/28
D844,194	S *	3/2019	Lin	D26/28
D844,195	S *	3/2019	Lin	D26/28
D849,286	S *	5/2019	Lin	D26/28
2014/0192548	A1 *	7/2014	Kracker	F21S 41/147 362/538

OTHER PUBLICATIONS

“2016+ Civic LED Projector Headlight from TRS.” Found online Jun. 5, 2019 at www.civicx.com. Post dated Nov. 3, 2018. Retrieved from URL: <https://www.civicx.com/threads/2016-civic-led-projector-headlight-from-trs.26782/page-8> (Year: 2018).*

“Honda Civic XB LED Headlights.” Found online Jun. 5, 2019 at www.theretrofitsource.com. No verifiable date. Retrieved from URL: <https://www.theretrofitsource.com/honda-civic-xb-led-heads.html> (Year: 2019).*

* cited by examiner

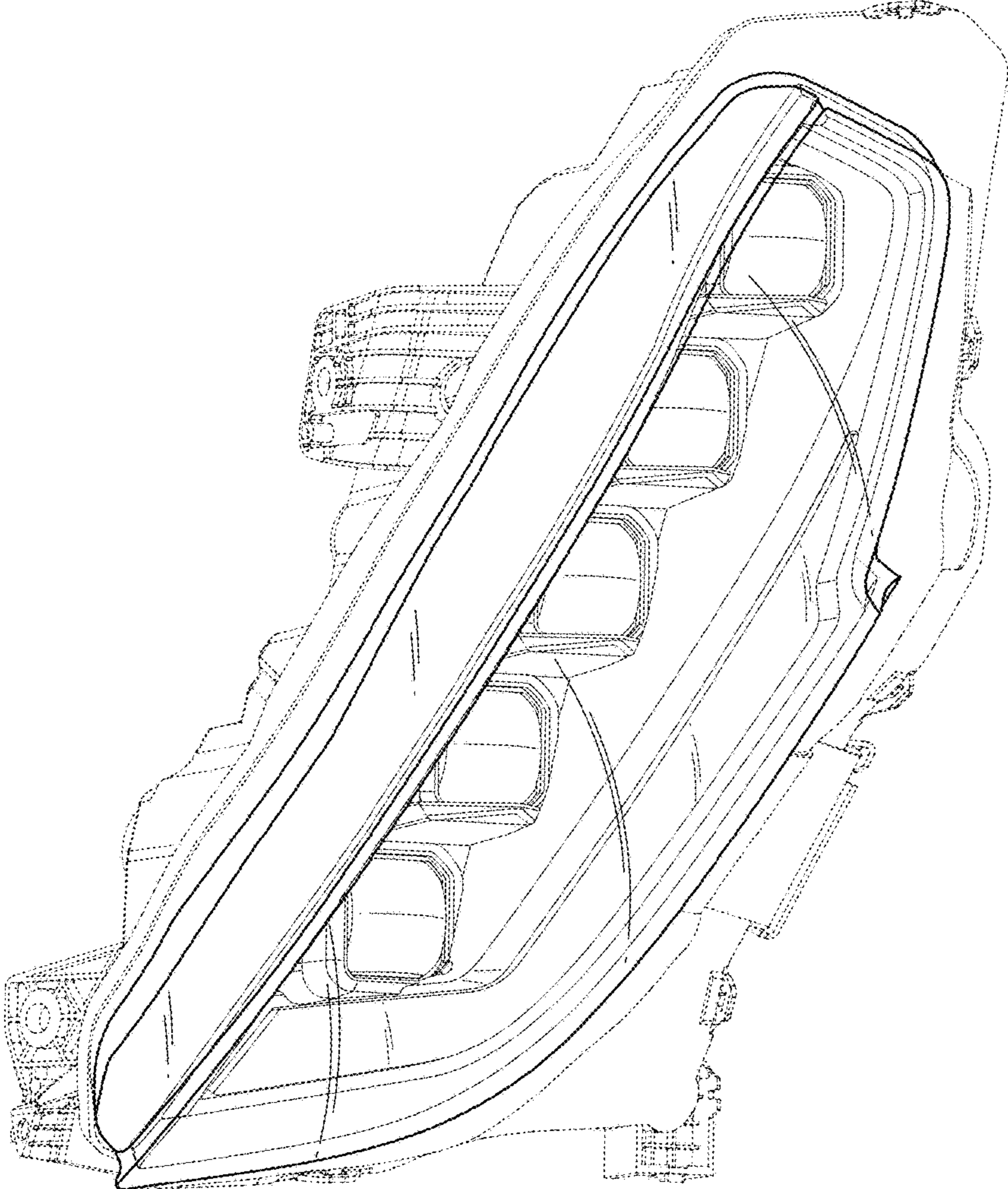


FIG. 1

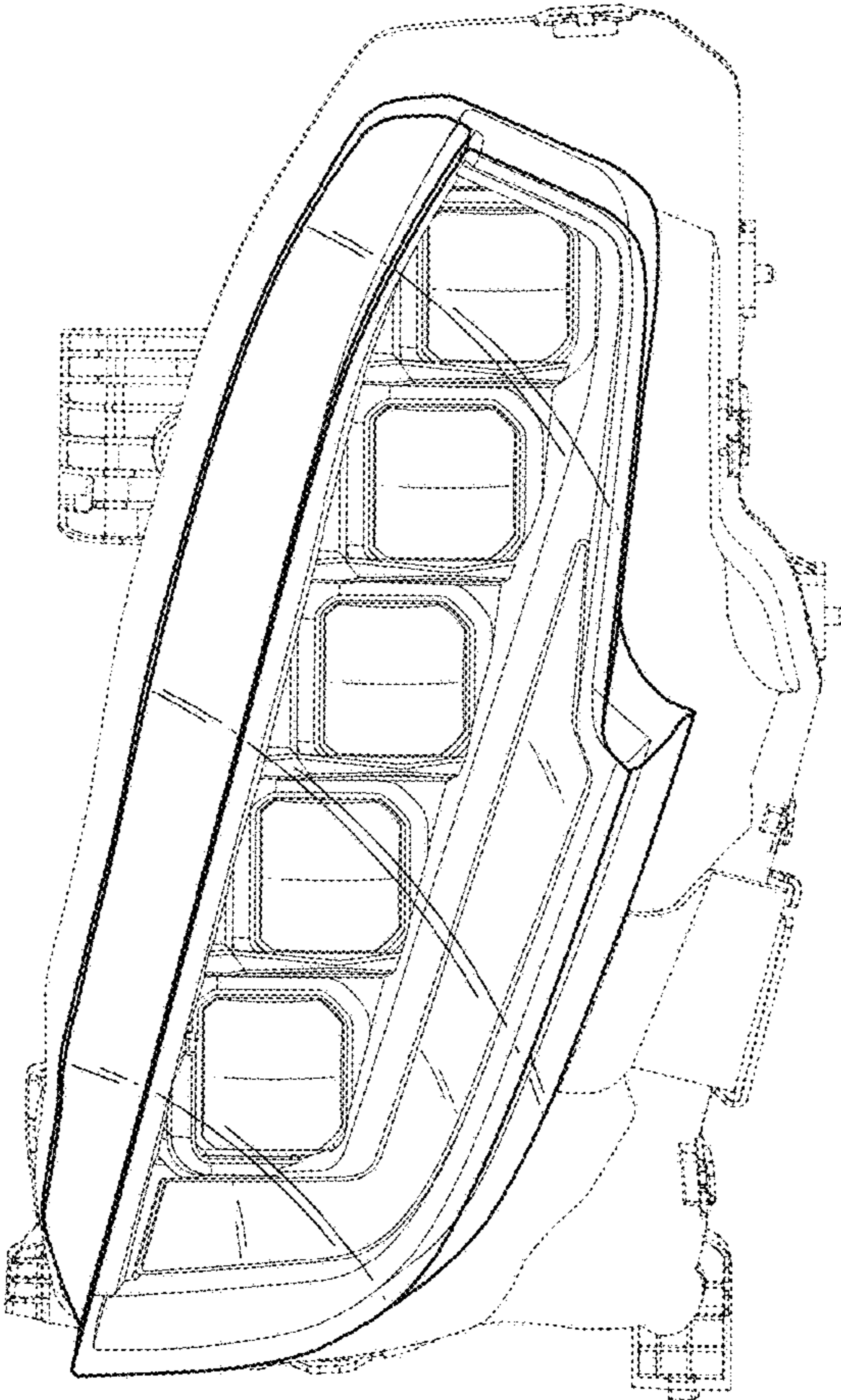


FIG. 2

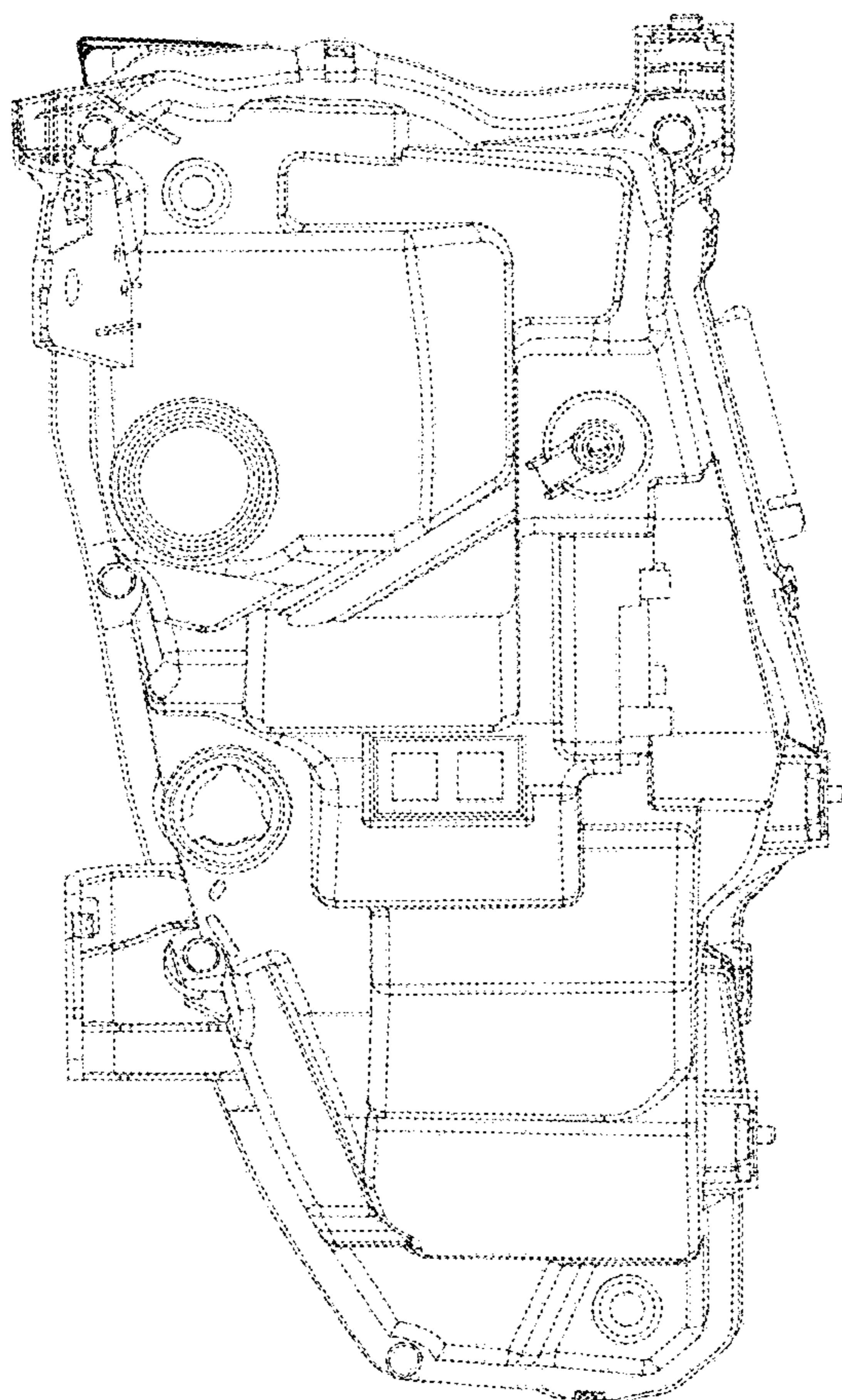


FIG. 3

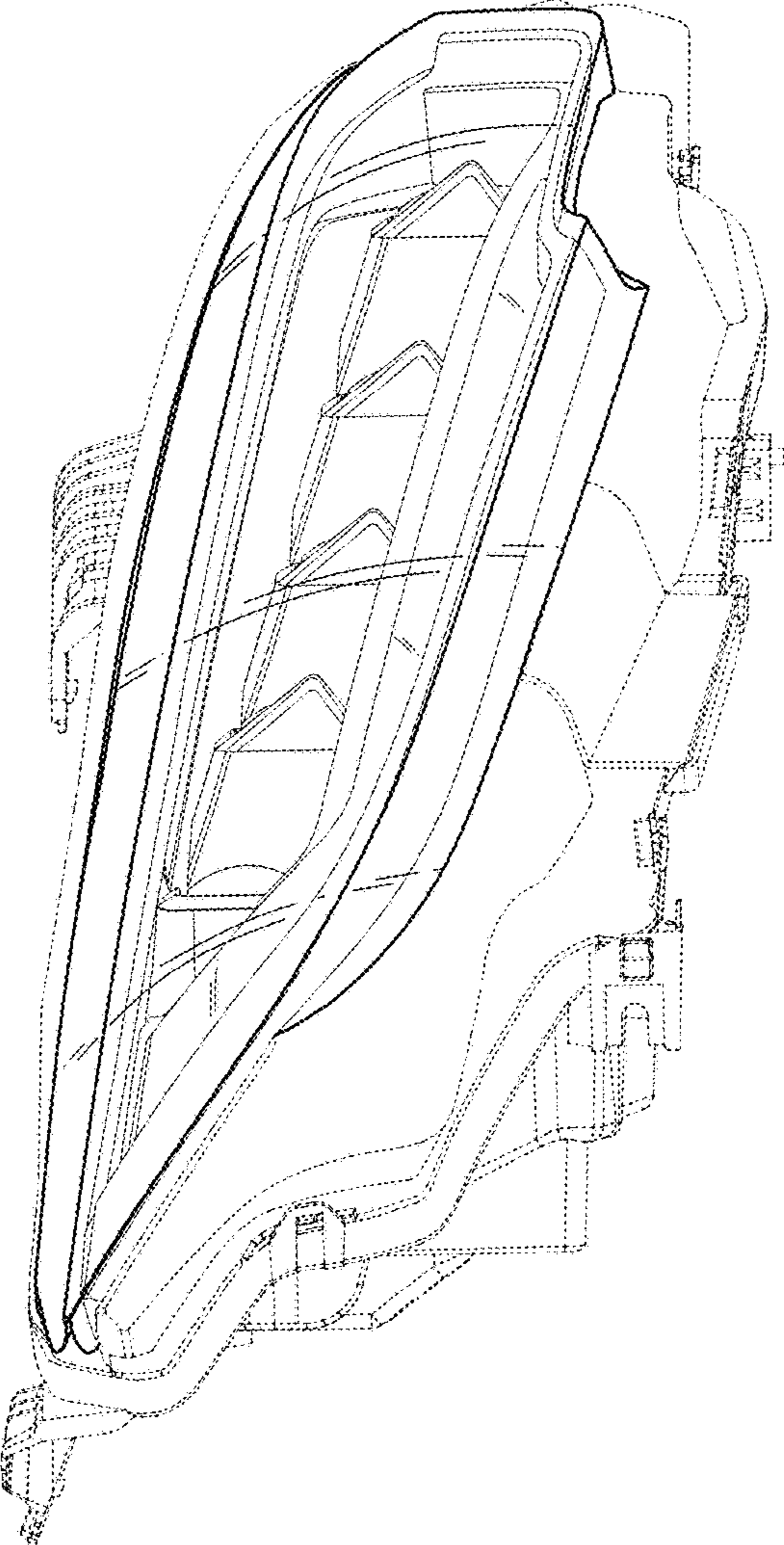


FIG. 4

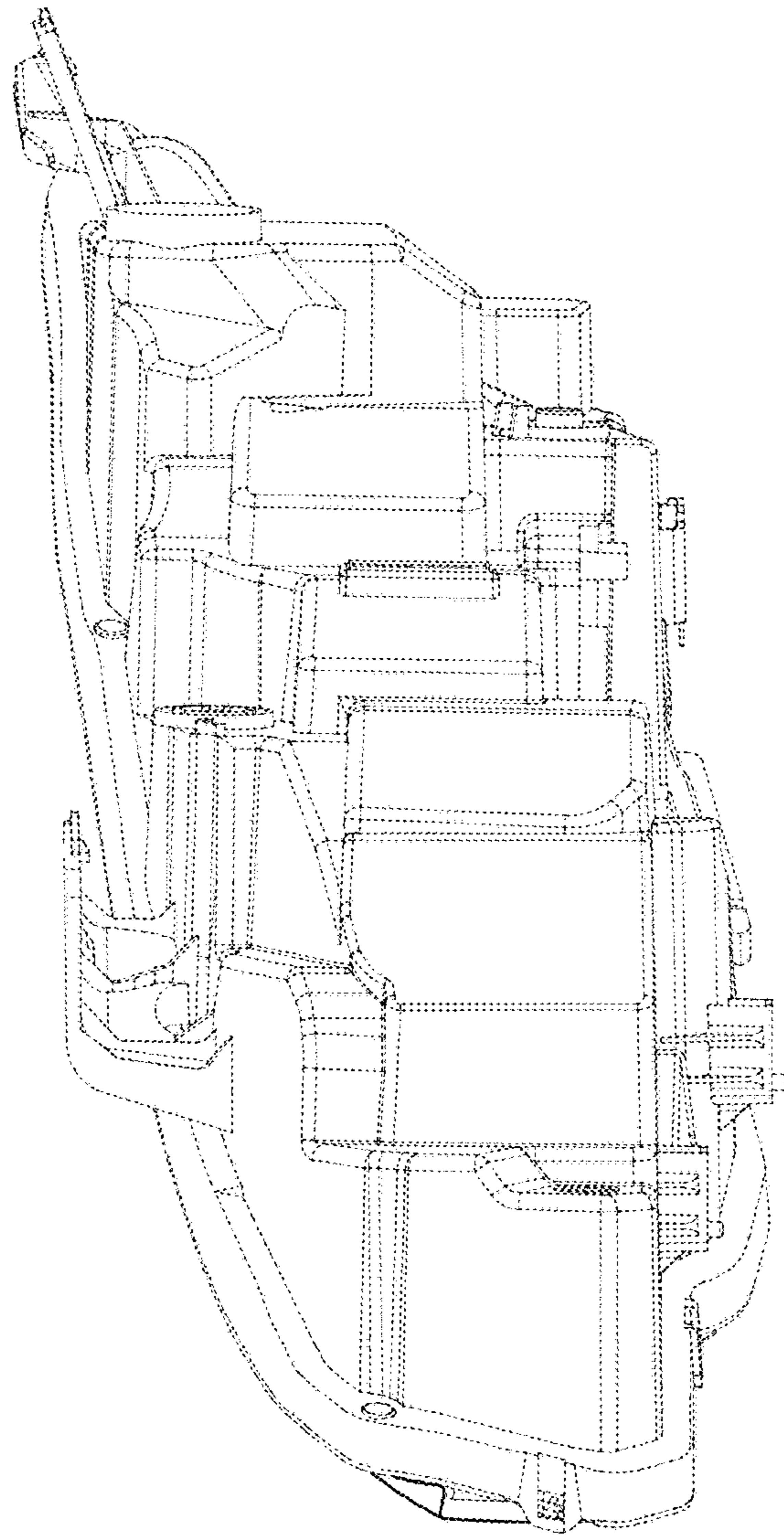


FIG. 5

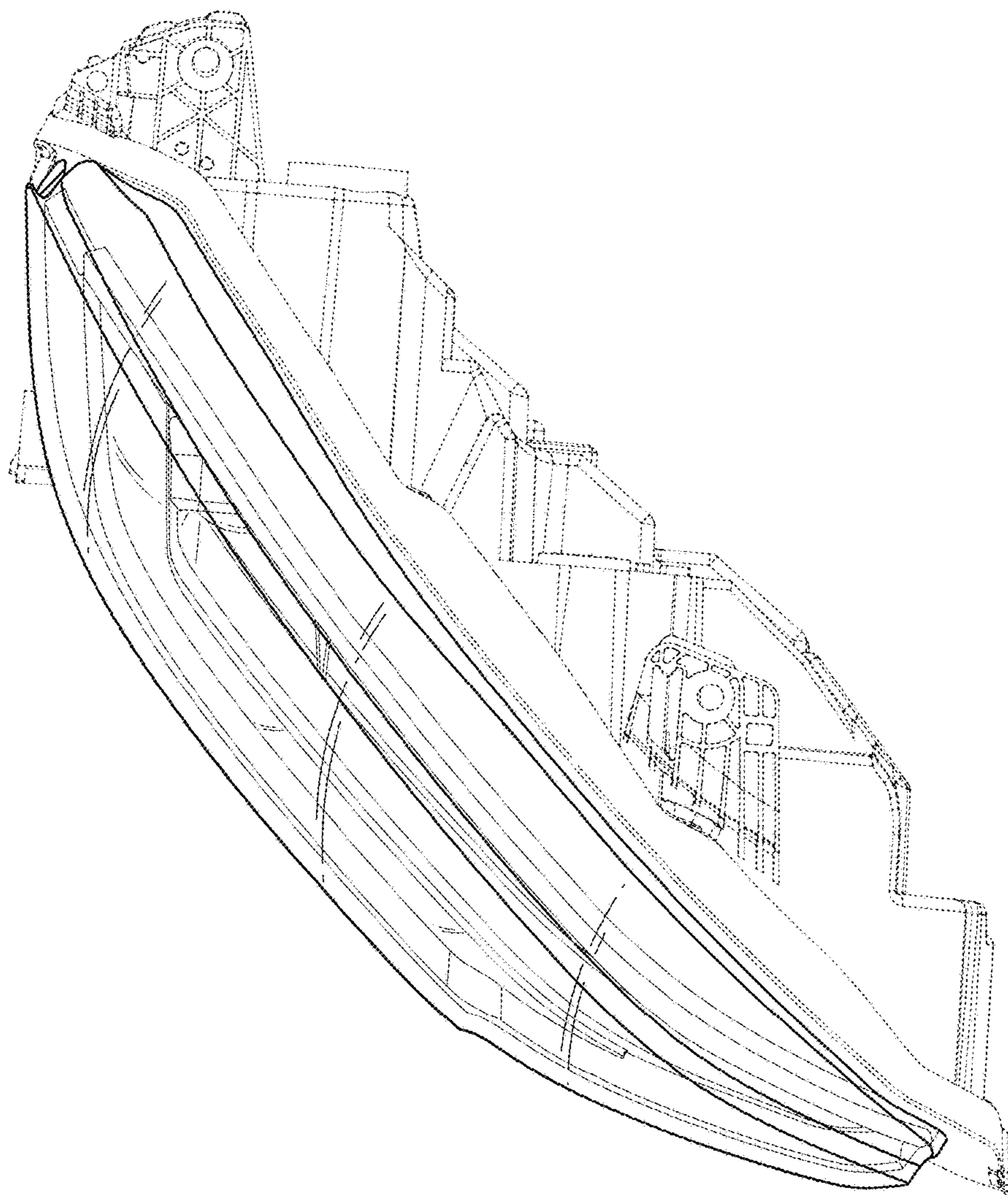


FIG. 6

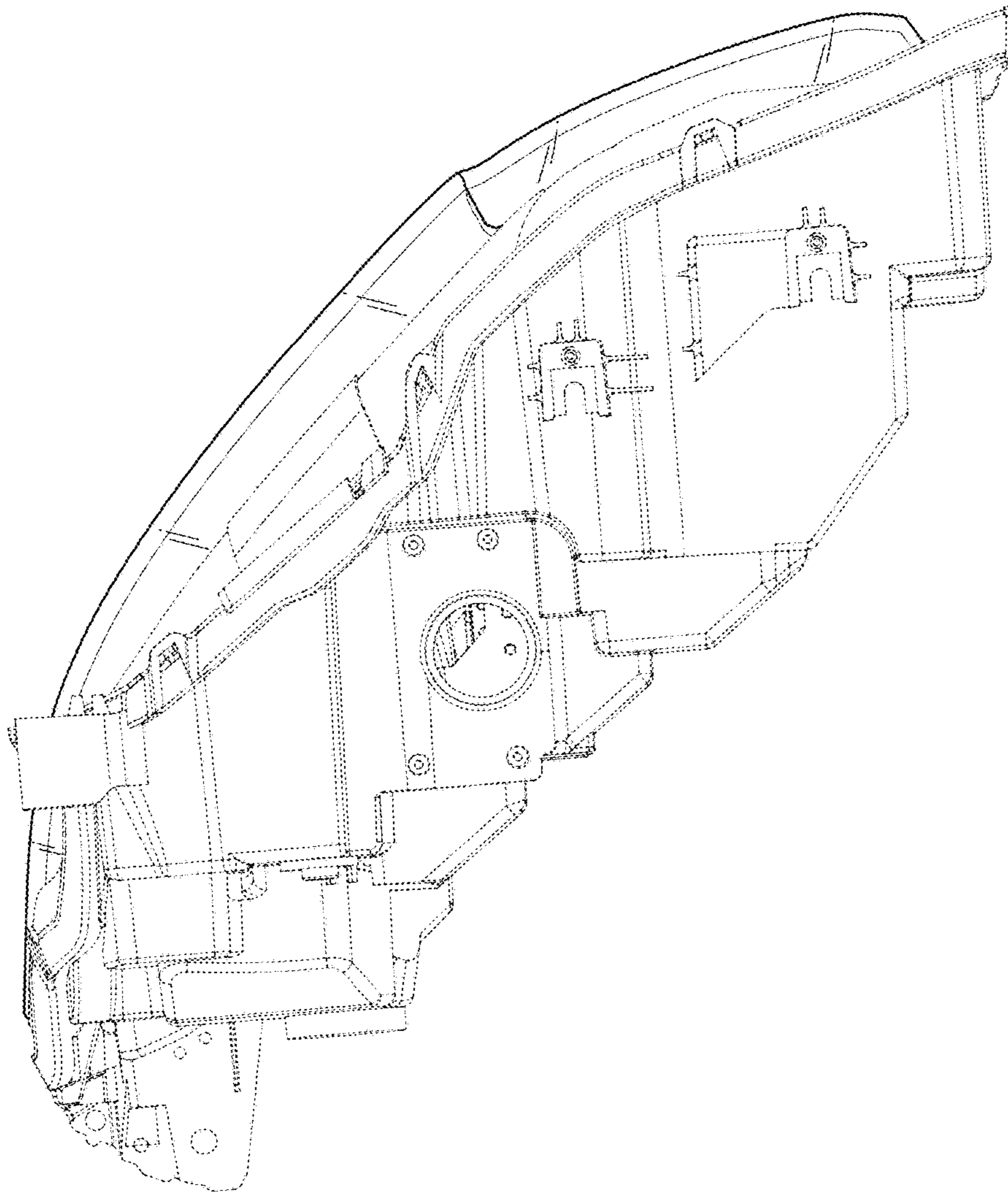


FIG. 7