



US00D869699S

(12) **United States Design Patent** (10) **Patent No.:** **US D869,699 S**
Hirai et al. (45) **Date of Patent:** **** Dec. 10, 2019**

(54) **REAR PORTION FOR AN AUTOMOBILE**
(71) Applicants: **Nozomi Hirai**, Toyota (JP); **Masayuki Yamaji**, Miyoshi (JP)
(72) Inventors: **Nozomi Hirai**, Toyota (JP); **Masayuki Yamaji**, Miyoshi (JP)
(73) Assignee: **TOYOTA JIDOSHA KABUSHIKI KAISHA** (JP)
(**) Term: **15 Years**
(21) Appl. No.: **29/615,664**
(22) Filed: **Aug. 30, 2017**
(51) **LOC (12) Cl.** **26-05**
(52) **U.S. Cl.**
USPC **D26/28**
(58) **Field of Classification Search**
USPC D26/28–36
CPC F21S 48/00; F21S 48/10; F21S 48/1266;
F21S 48/1388; F21S 48/2268; F21V
21/04
See application file for complete search history.

(56) **References Cited**

U.S. PATENT DOCUMENTS

D684,711 S *	6/2013	Chen	D26/28
D743,588 S *	11/2015	Wolff	D26/28
D765,891 S *	9/2016	Varga	D26/28
D774,220 S *	12/2016	Lim	D26/28
D795,472 S *	8/2017	Leutiger	D26/28
D811,632 S *	2/2018	Suga	D26/28
D820,484 S *	6/2018	Kamiura	D26/28
D822,237 S *	7/2018	Woodhouse	D26/28

OTHER PUBLICATIONS

NetCarShow Website, Lexus LS500 (2018), Toyota, <https://www.netcarshow.com/lexus/2018-ls_500/>, available as early as Jun. 23, 2017.

NetCarShow Website, Lexus LF-FC Concept (2015), Toyota, <https://www.netcarshow.com/lexus/2015-lf-fc_concept/>, available as early as Jun. 23, 2017.
NetCarShow Website, Audi e-tron Sportback Concept (2017), Audi, <https://www.netcarshow.com/audi/2017-e-tron_sportback_concept/>, available as early as Jun. 23, 2017.

* cited by examiner

Primary Examiner — Mark A Goodwin
Assistant Examiner — Benjamin M Weeks
(74) *Attorney, Agent, or Firm* — Saidman DesignLaw Group, LLC

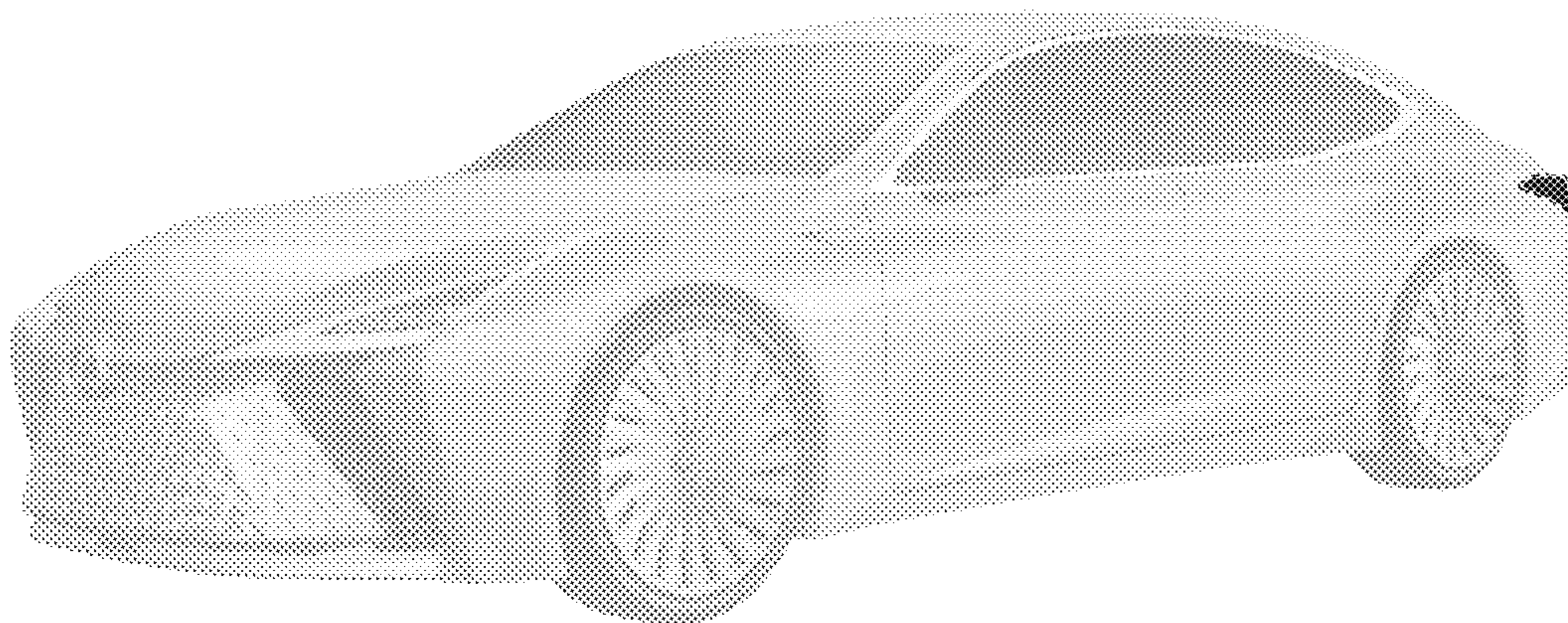
(57) **CLAIM**

The ornamental design for a rear portion for an automobile, as shown and described.

DESCRIPTION

FIG. 1 is a front perspective view of a rear portion for an automobile showing our new design;
FIG. 2 is a rear perspective view thereof;
FIG. 3 is a front view thereof;
FIG. 4 is a rear view thereof;
FIG. 5 is a top view thereof;
FIG. 6 is a right side view thereof; and,
FIG. 7 is a left side view thereof.
The claimed design comprises the shape and configuration of the relatively dark portions in the figures surrounded by broken lines. The showing of the automobile in the relatively light shaded contrast found outside the broken lines forms no part of the claimed design.

1 Claim, 7 Drawing Sheets



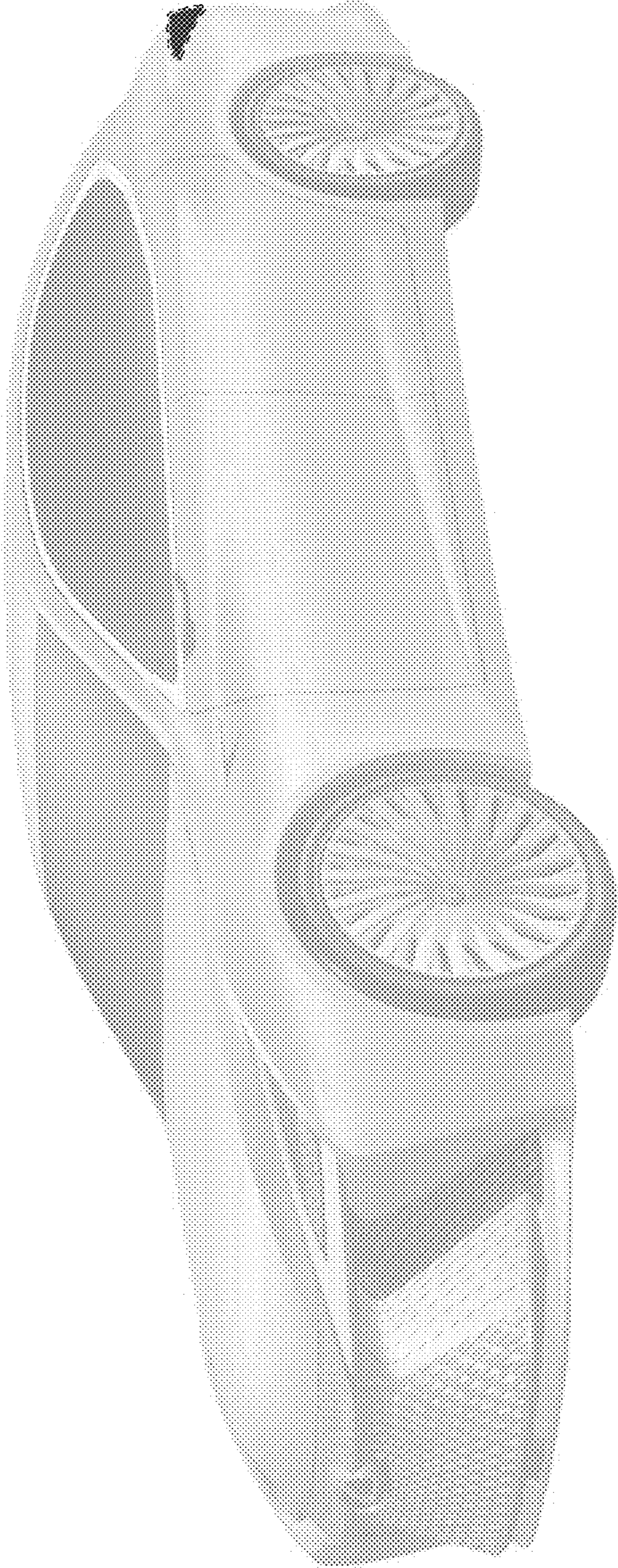


FIG. 1

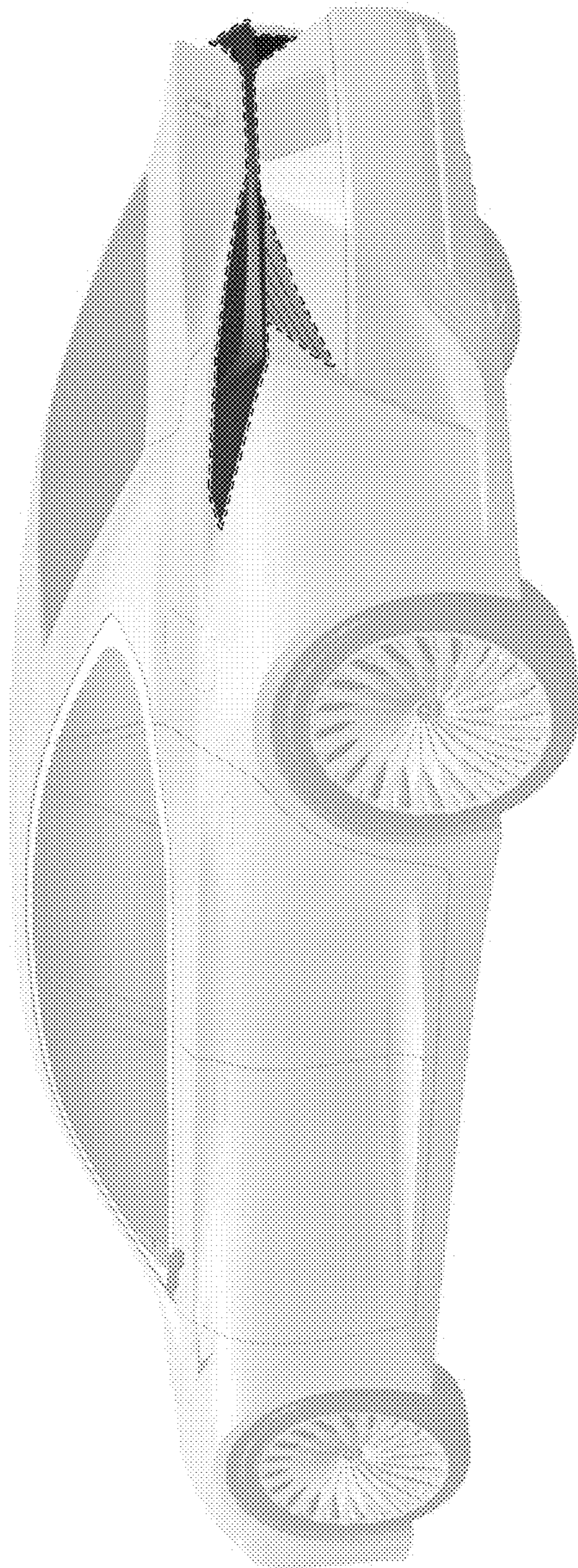


FIG. 2

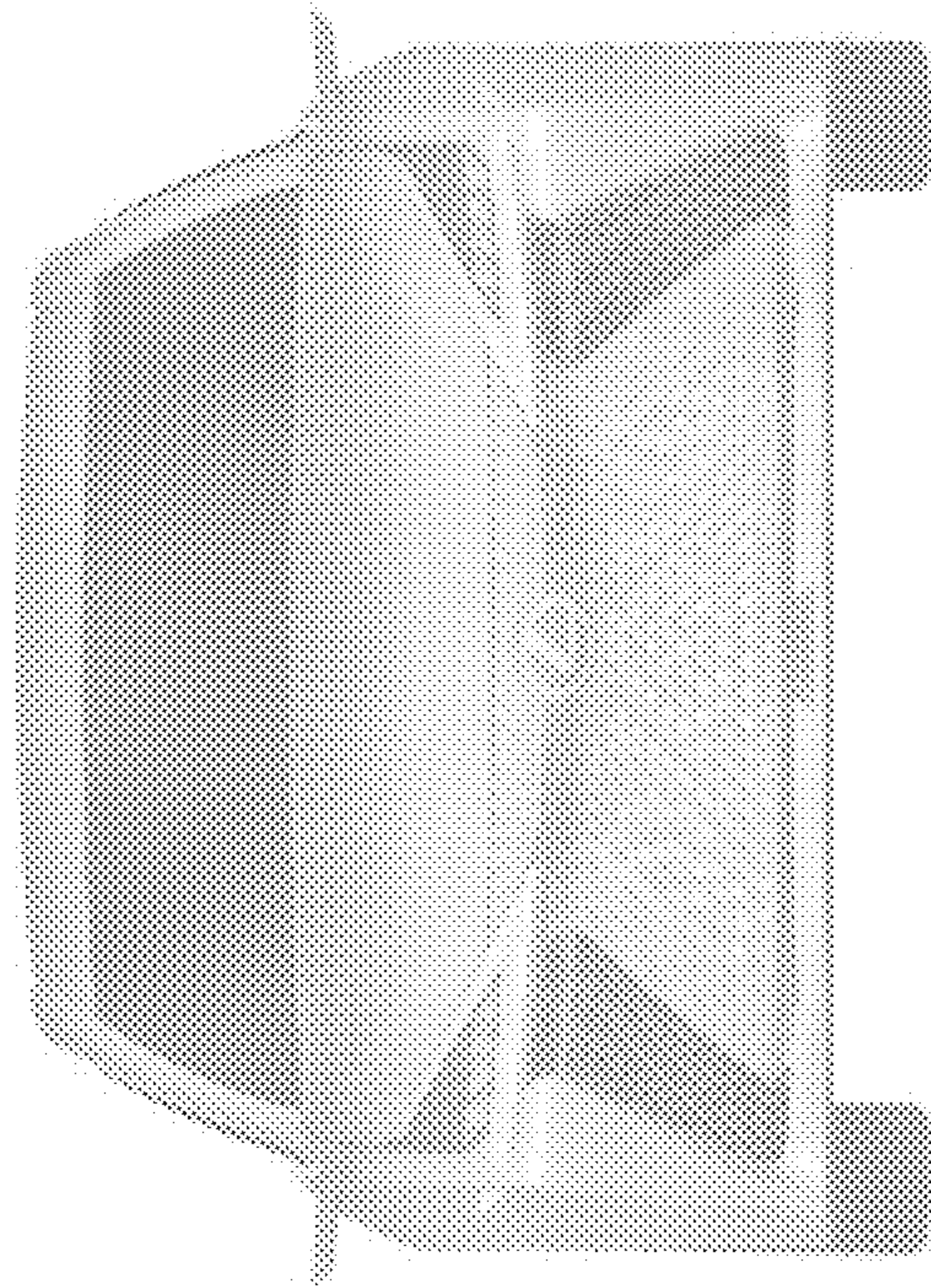


FIG. 3

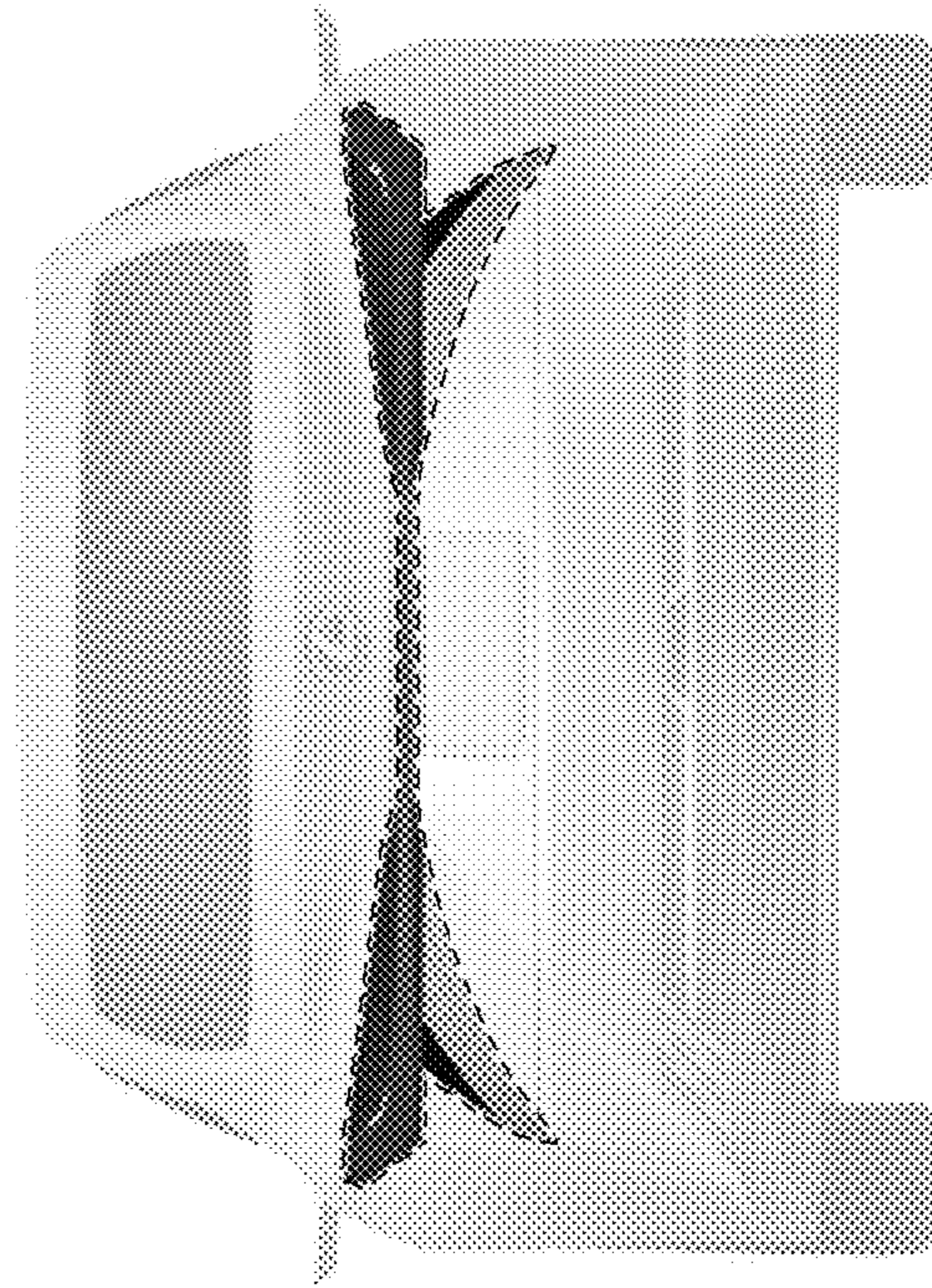


FIG. 4

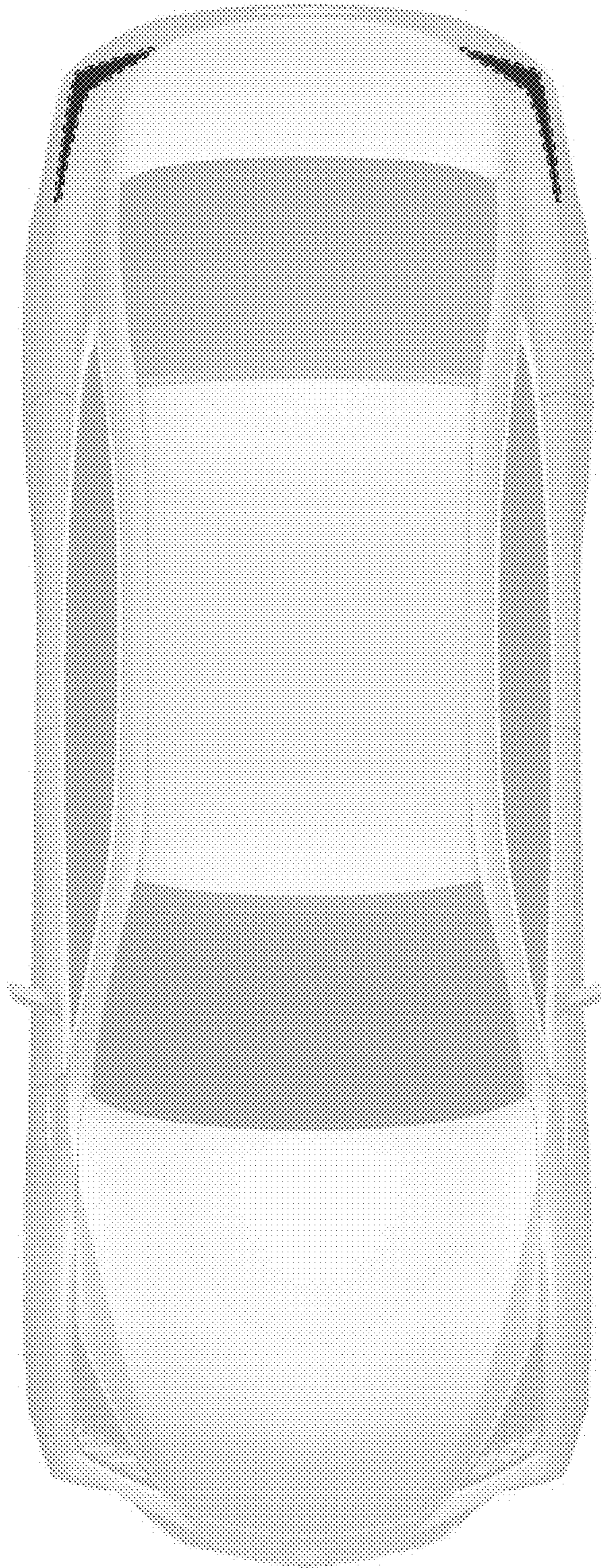


FIG. 5

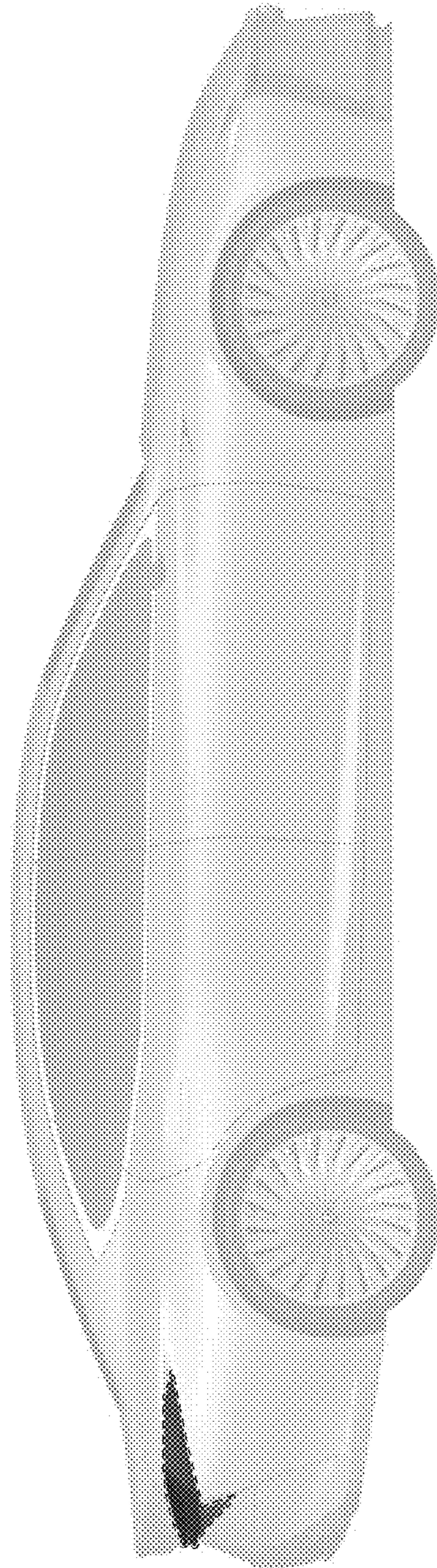


FIG. 6

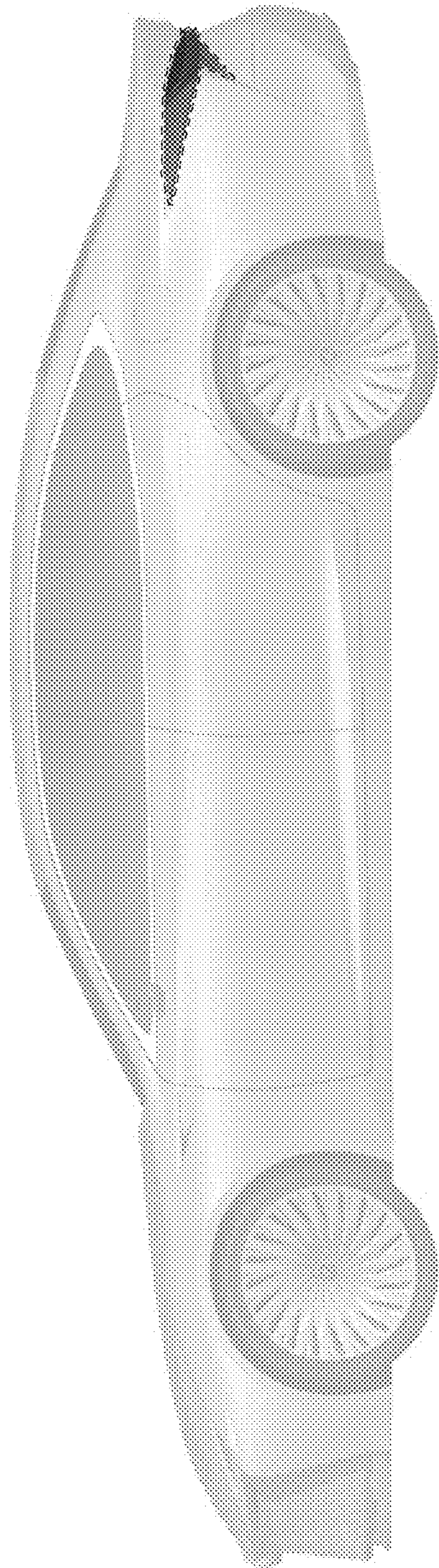


FIG. 7