



US00D869698S

(12) **United States Design Patent** (10) **Patent No.:** **US D869,698 S**  
**Kasuga et al.** (45) **Date of Patent:** **\*\* Dec. 10, 2019**

(54) **PROJECTOR LAMP FOR VEHICLES**

(56) **References Cited**

(71) Applicant: **Mitsubishi Electric Corporation,**  
Tokyo (JP)

U.S. PATENT DOCUMENTS

(72) Inventors: **Kei Kasuga,** Tokyo (JP); **Tsutomu Matsubara,** Tokyo (JP); **Munetaka Nishihira,** Tokyo (JP); **Reiko Sakata,** Tokyo (JP); **Shinsaku Fukutaka,** Tokyo (JP); **Akiko Imaishi,** Tokyo (JP)

D708,373 S \* 7/2014 Kani ..... D26/28  
D711,023 S \* 8/2014 Wu ..... D26/28  
D747,517 S \* 1/2016 Lai ..... D26/28  
D760,407 S \* 6/2016 Yang ..... D26/28

(73) Assignee: **Mitsubishi Electric Corporation,**  
Tokyo (JP)

\* cited by examiner

*Primary Examiner* — Marcus A Jackson

(\*\*) Term: **15 Years**

(74) *Attorney, Agent, or Firm* — Studebaker & Brackett PC

(21) Appl. No.: **29/609,787**

(57) **CLAIM**

The ornamental design for a projector lamp for vehicles, as shown and described.

(22) Filed: **Jul. 5, 2017**

**DESCRIPTION**

(30) **Foreign Application Priority Data**

Apr. 4, 2017 (JP) ..... 2017-007118

(51) **LOC (12) Cl.** ..... **26-06**

(52) **U.S. Cl.**  
USPC ..... **D26/28**

(58) **Field of Classification Search**  
USPC ..... D26/28-36, 139  
CPC ..... F21S 48/00; F21S 48/10; F21S 48/115;  
F21S 48/225; F21S 48/1233; F21S 48/1266; F21S 48/1388; F21S 48/2268;  
F21V 13/00; F21V 21/04; F21V 29/004  
See application file for complete search history.

FIG. 1 is a perspective view of the front, right and top sides of a projector lamp for vehicles showing our new design; FIG. 2 is a front view thereof; FIG. 3 is a rear view thereof; FIG. 4 is a right side view thereof; FIG. 5 is a top side view thereof; FIG. 6 is a cross-sectional view thereof; taken along line 6-6 of FIG. 2 with the internal system omitted; and, FIG. 7 is a reference view showing the use state thereof. The parts shown in the broken lines do not form part of the claimed designs. The left views are omitted because they are mirror images of the right views.

**1 Claim, 7 Drawing Sheets**

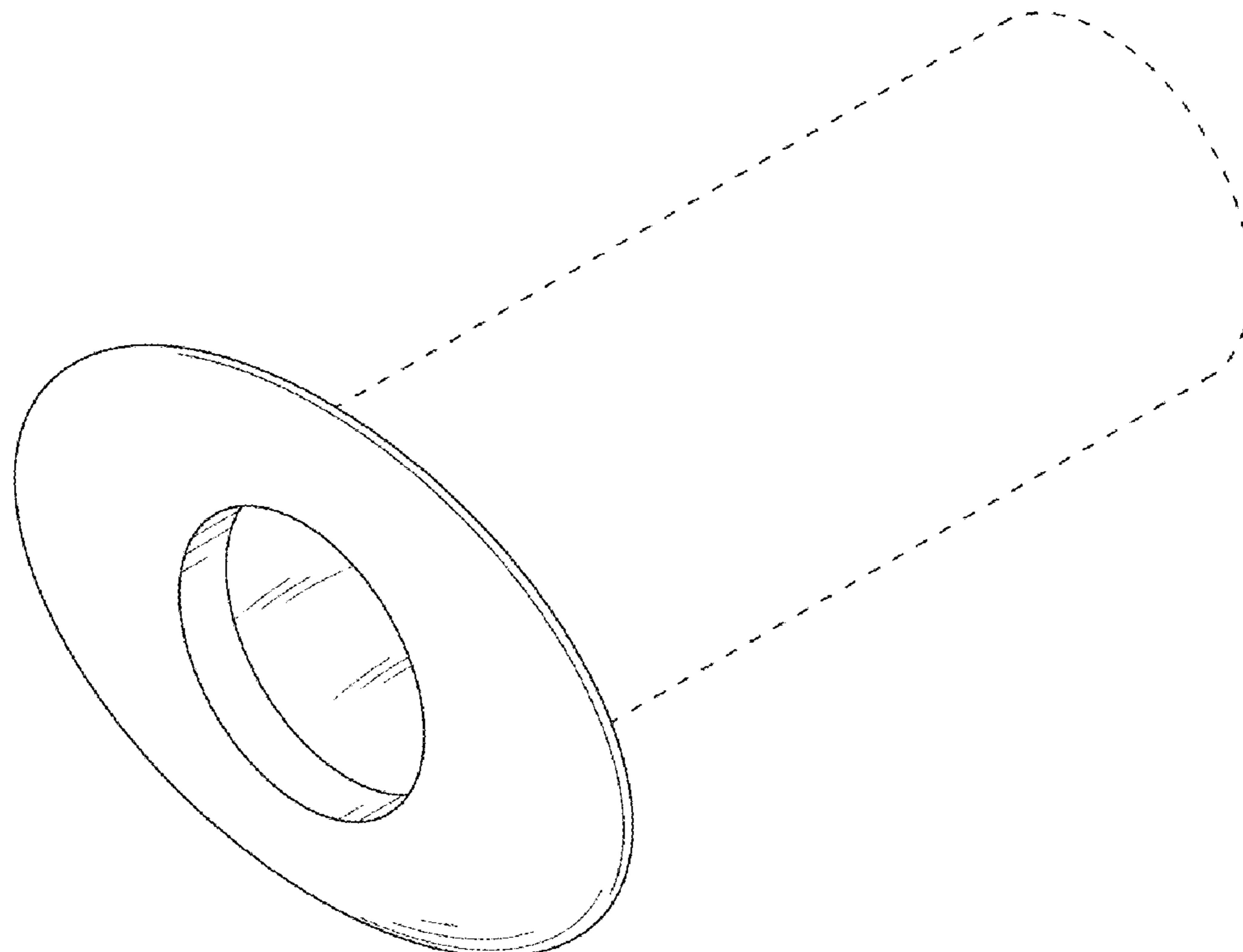


Fig. 1

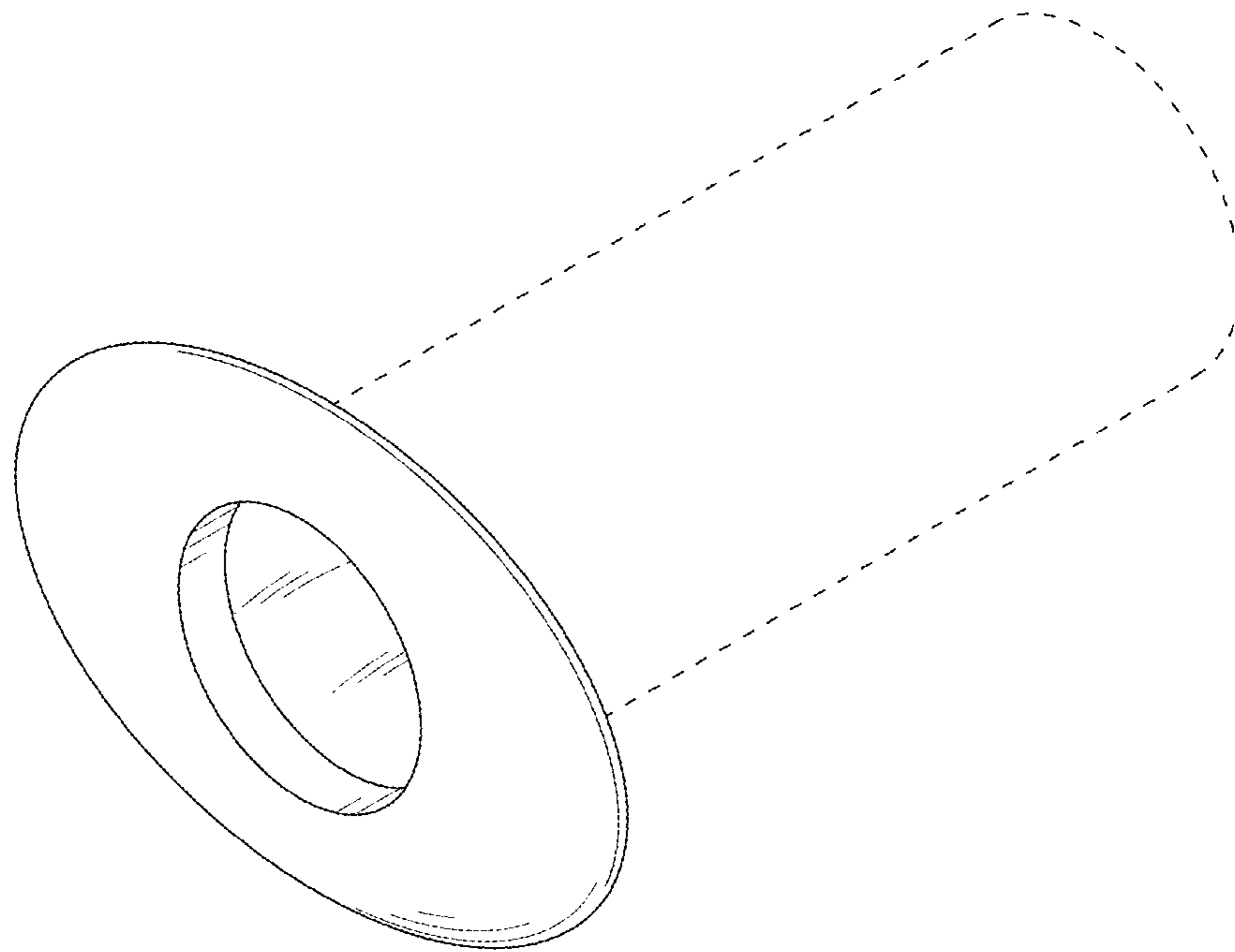


Fig.2

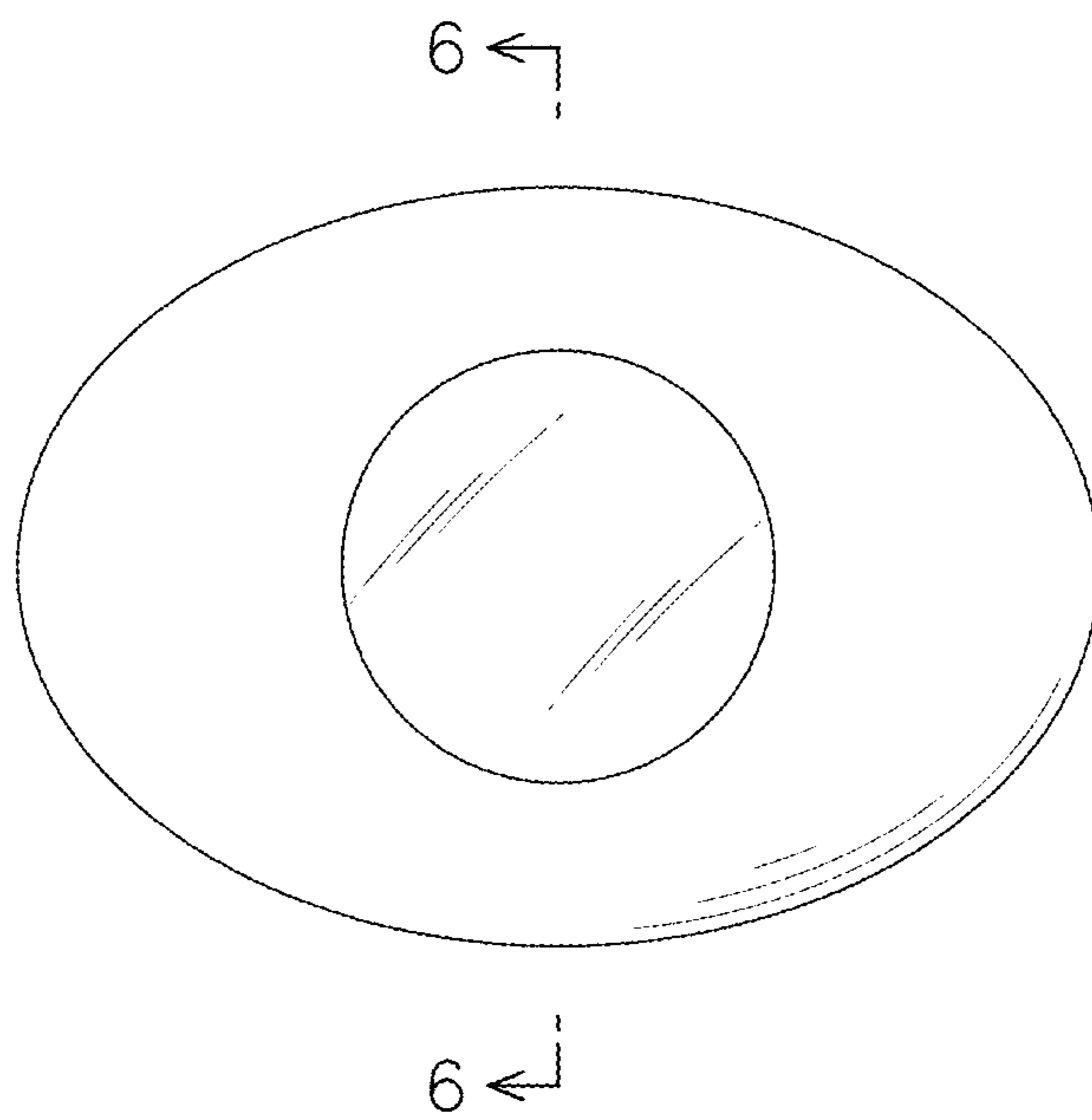


Fig.3

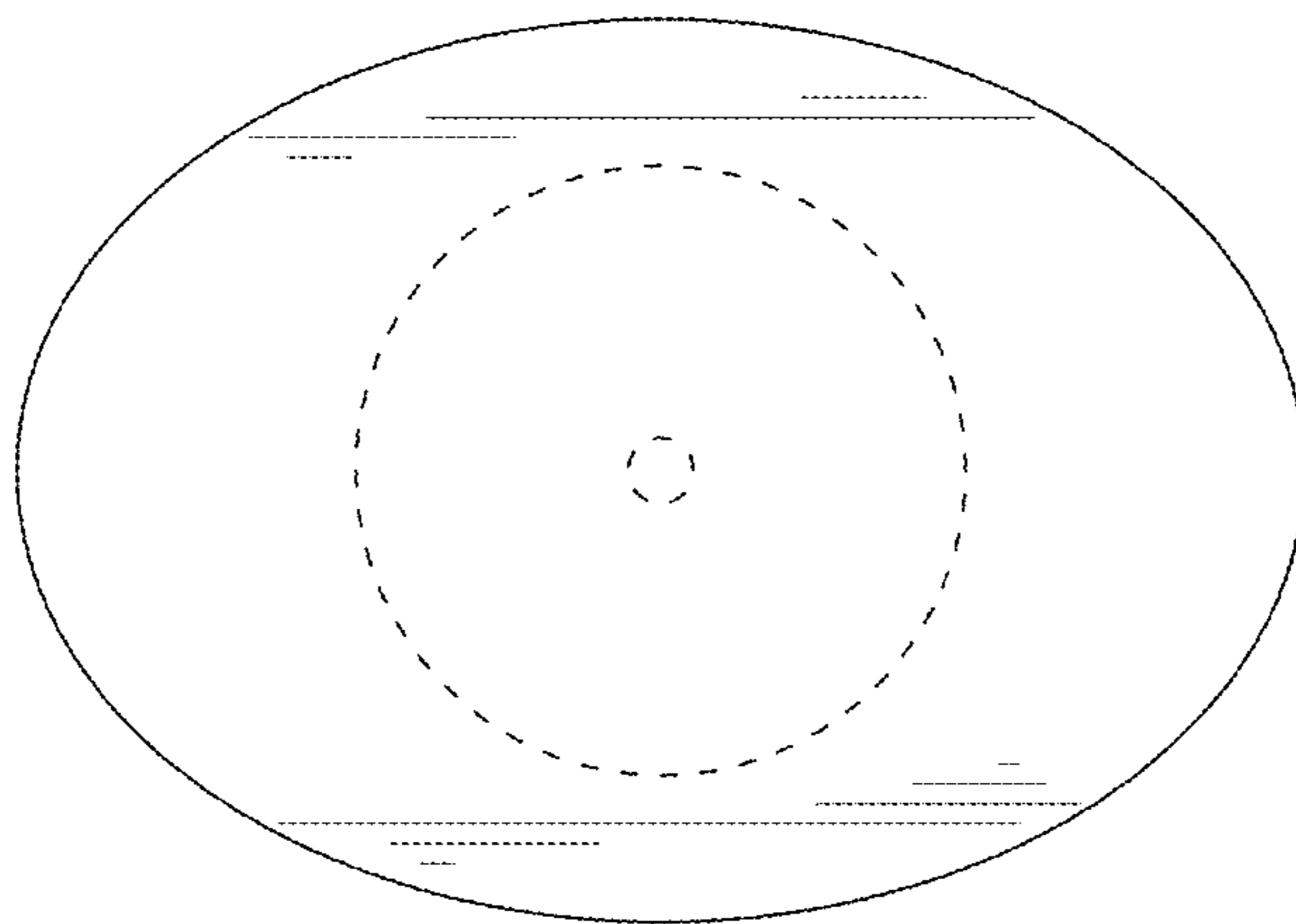


Fig.4

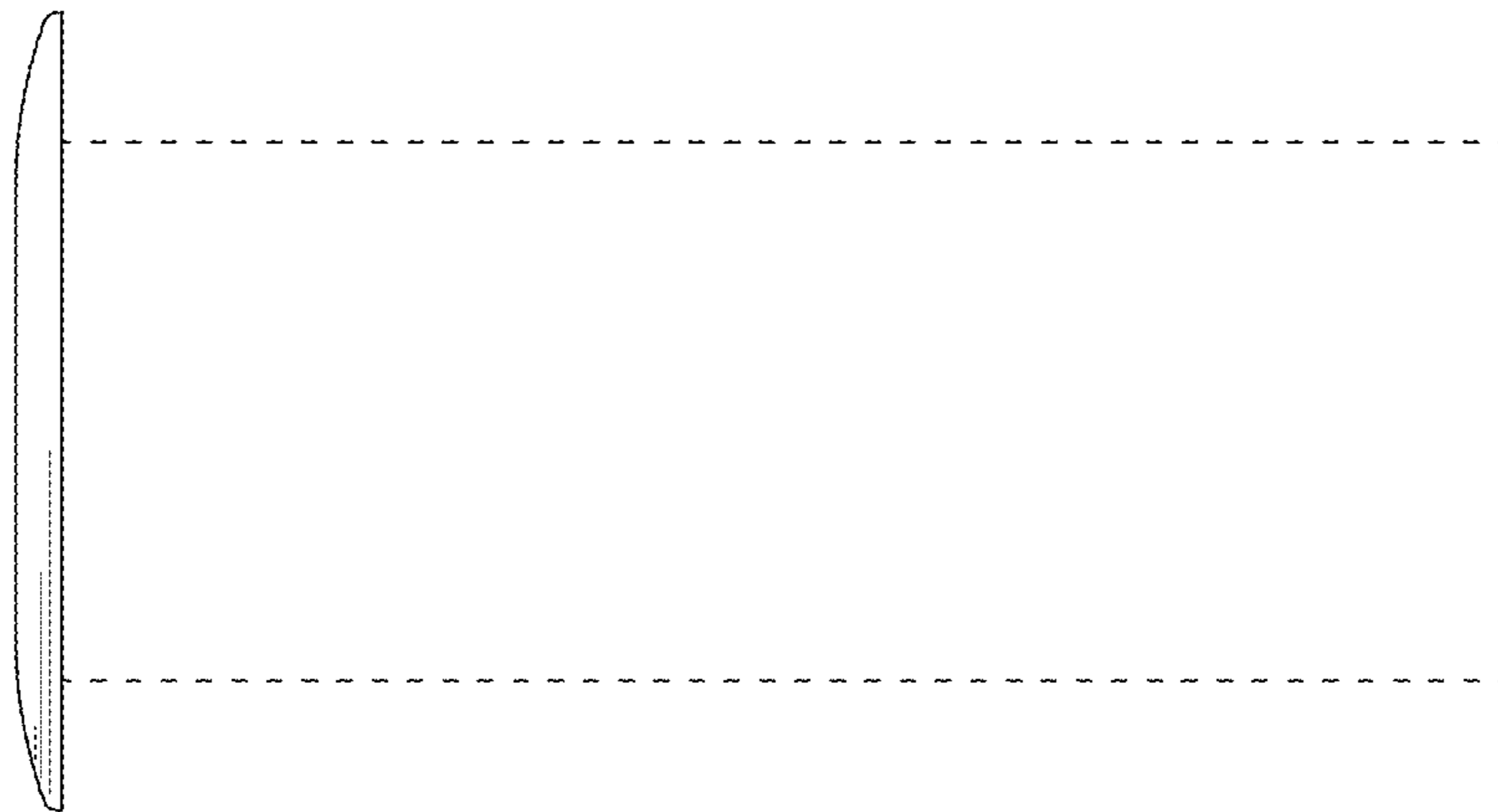


Fig.5

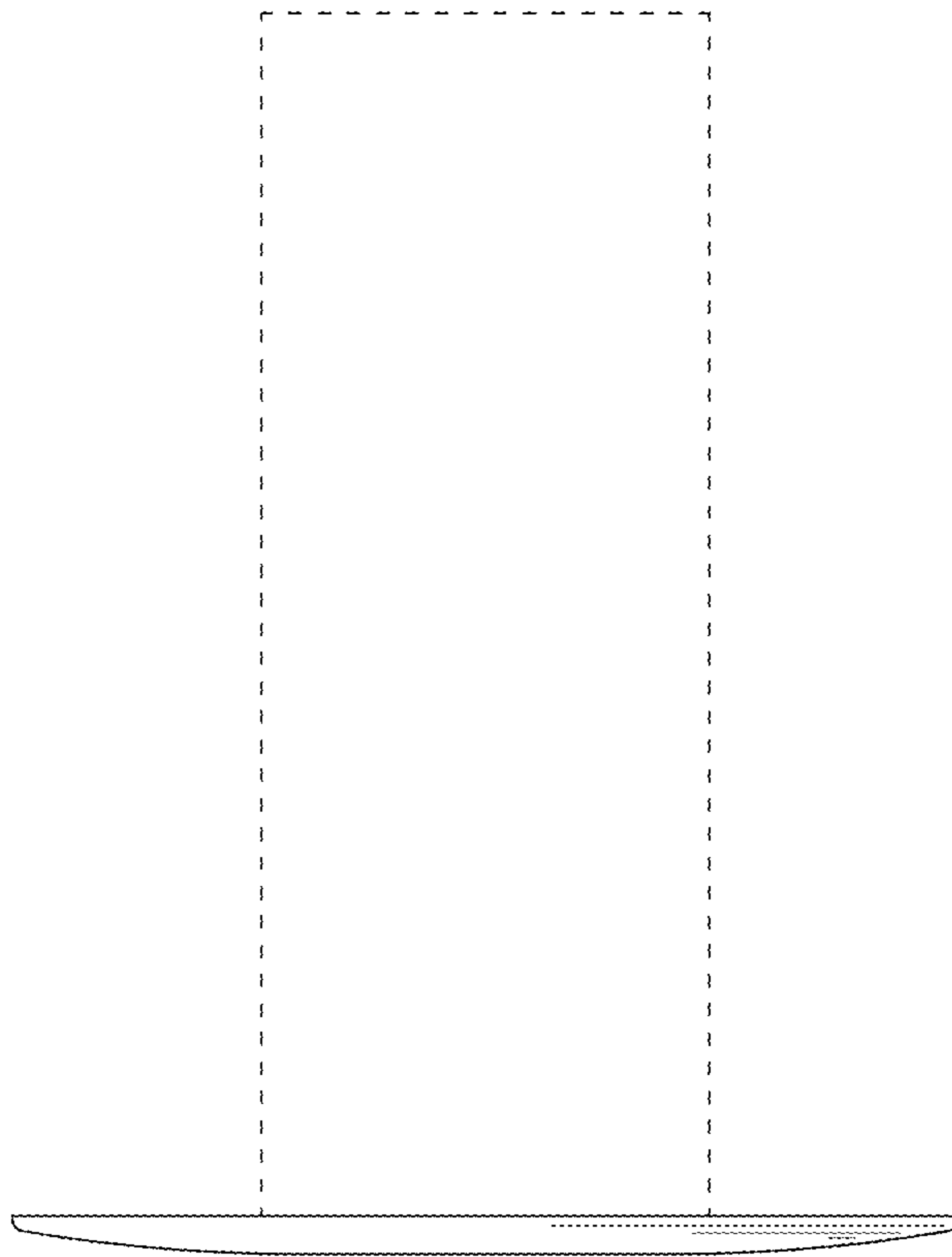


Fig.6

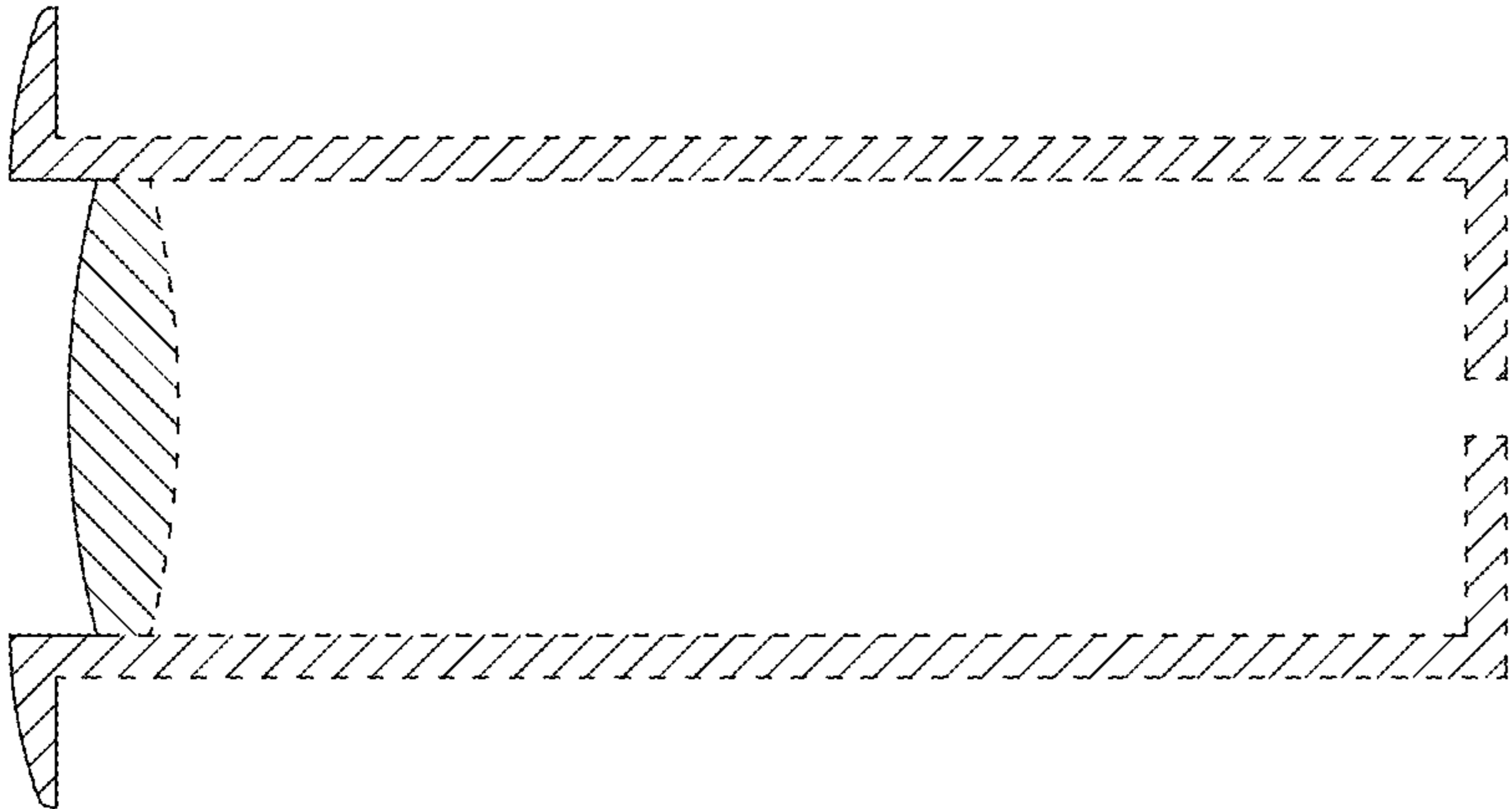


Fig. 7

