

US00D869696S

(12) **United States Design Patent** (10) **Patent No.:** **US D869,696 S**  
**Trim** (45) **Date of Patent:** **\*\* Dec. 10, 2019**

(54) **DAYTIME RUNNING LIGHT**  
(71) Applicant: **Jaguar Land Rover Limited**, Whitley (GB)  
(72) Inventor: **James Trim**, Coventry (GB)  
(73) Assignee: **Jaguar Land Rover Limited**, Whitley, Coventry (GB)  
(\*\*) Term: **15 Years**  
(21) Appl. No.: **29/605,391**  
(22) Filed: **May 25, 2017**

(30) **Foreign Application Priority Data**  
Nov. 30, 2016 (EM) ..... 001456875-0001  
Nov. 30, 2016 (EM) ..... 003492883-0002  
(51) **LOC (12) Cl.** ..... **26-06**  
(52) **U.S. Cl.**  
USPC ..... **D26/28**  
(58) **Field of Classification Search**  
USPC ..... D12/86, 90-92, 114, 163, 169, 171-173, D12/181, 190, 196, 197, 199, 400; D26/28-36  
CPC ... B62J 6/02; B62J 6/00; B60Q 3/0279; F21S 48/00; F21S 48/10; F21S 48/115; F21S 48/225; F21S 48/1233; F21S 48/1266; F21S 48/1388; F21S 48/2268; F21V 21/04  
See application file for complete search history.

(56) **References Cited**  
U.S. PATENT DOCUMENTS  
D507,362 S \* 7/2005 Minami ..... D26/28  
D526,428 S \* 8/2006 Yagihashi ..... D26/28  
D529,208 S \* 9/2006 Ikeda ..... D26/28  
D545,462 S \* 6/2007 Kaoud ..... D26/28  
D556,349 S \* 11/2007 Golden ..... D26/28  
D565,762 S \* 4/2008 Zheng ..... D26/28  
D569,020 S \* 5/2008 Schiavone ..... D26/28  
(Continued)

*Primary Examiner* — Philip S Hyder  
*Assistant Examiner* — Cary M Robinson  
(74) *Attorney, Agent, or Firm* — Wood Herron & Evans LLP

(57) **CLAIM**

The ornamental design for a daytime running light, as shown and described.

**DESCRIPTION**

FIG. 1 is a front left perspective view of a daytime running light for a vehicle according to the present invention. In FIG. 1, and also in FIGS. 2-5, the daytime running light is shown as part of a head light, but with the rest of the head light shown in de-emphasized and half-tone portions so as to illustrate environmental structure. These portions form no part of the claimed invention. Rather, in these Figures the daytime running light is shown within the broken line, and the elements shown outside of the broken line form no part of the claimed invention, but are instead included to show environmental aspects thereof.

FIG. 2 is a front right perspective view of the daytime running light shown in FIG. 1.

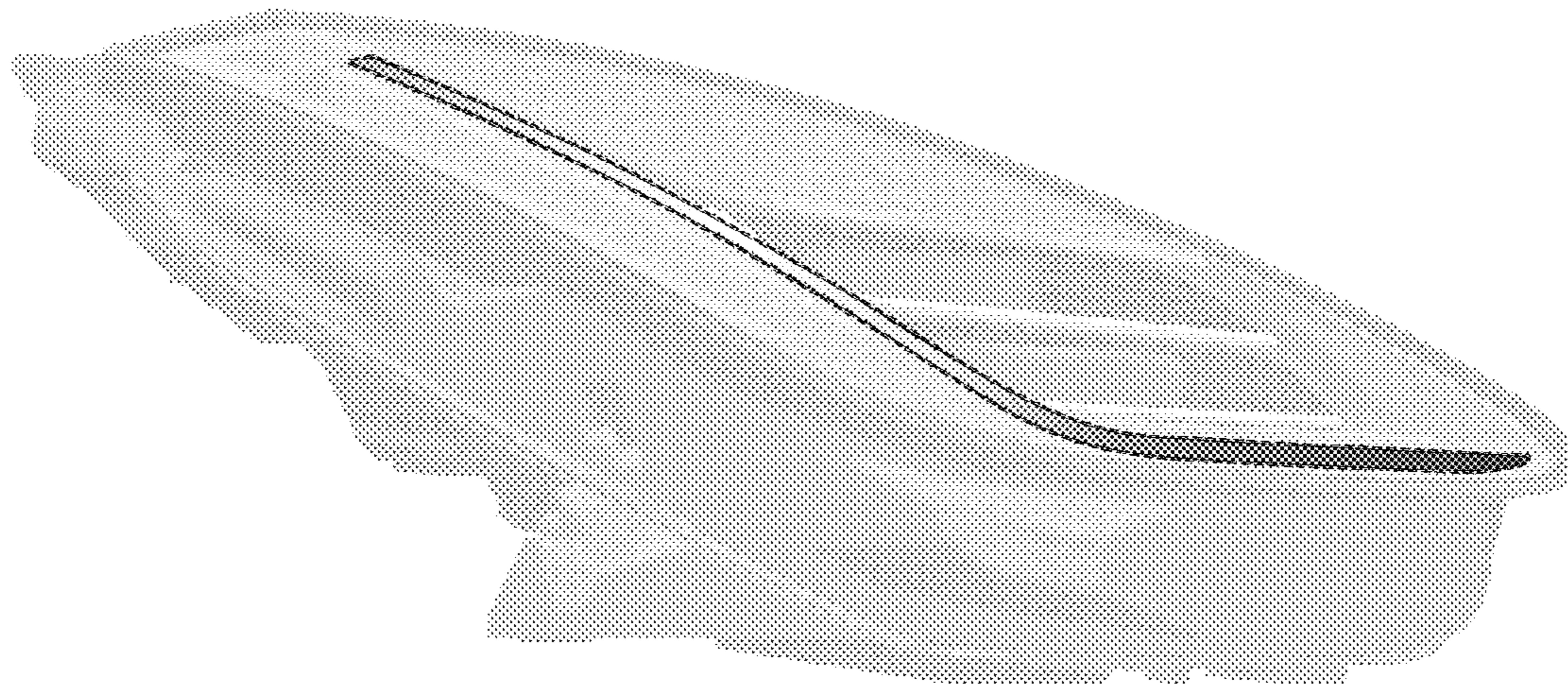
FIG. 3 is a front view thereof.

FIG. 4 is a left side view thereof.

FIG. 5 is a top view thereof; and,

FIG. 6 is a front view of the daytime running light that is shown in FIGS. 1-5, as part of a head light mounted on the front left of a vehicle, with the rest of the head light and the rest of the vehicle shown in de-emphasized and half-tone portions so as to illustrate environmental structure. These portions form no part of the claimed invention. More particularly, in FIG. 6, the inventive daytime running light is shown within the broken line, and the elements shown outside of the broken line form no part of the claimed invention, but are instead included to show environmental aspects thereof.

**1 Claim, 6 Drawing Sheets**



(56)

**References Cited**

U.S. PATENT DOCUMENTS

D605,792	S	*	12/2009	Weil	.....	D26/28
D612,961	S	*	3/2010	Lamm	.....	D26/28
D676,168	S	*	2/2013	Lai	.....	D26/28
D686,356	S	*	7/2013	Morgenstern	.....	D26/28
D720,869	S	*	1/2015	Knoedle-Bunte	.....	D26/28
D785,823	S	*	5/2017	Knoedle-Bunte	.....	D26/28
D847,388	S	*	4/2019	Bernardi	.....	D26/28
D848,645	S	*	5/2019	Thomas	.....	D26/28
D850,669	S	*	6/2019	Hatton	.....	D26/28
2011/0310610	A1	*	12/2011	Brown	.....	B60Q 1/56 362/253
2013/0194817	A1	*	8/2013	Ito	.....	B60Q 1/02 362/538

\* cited by examiner

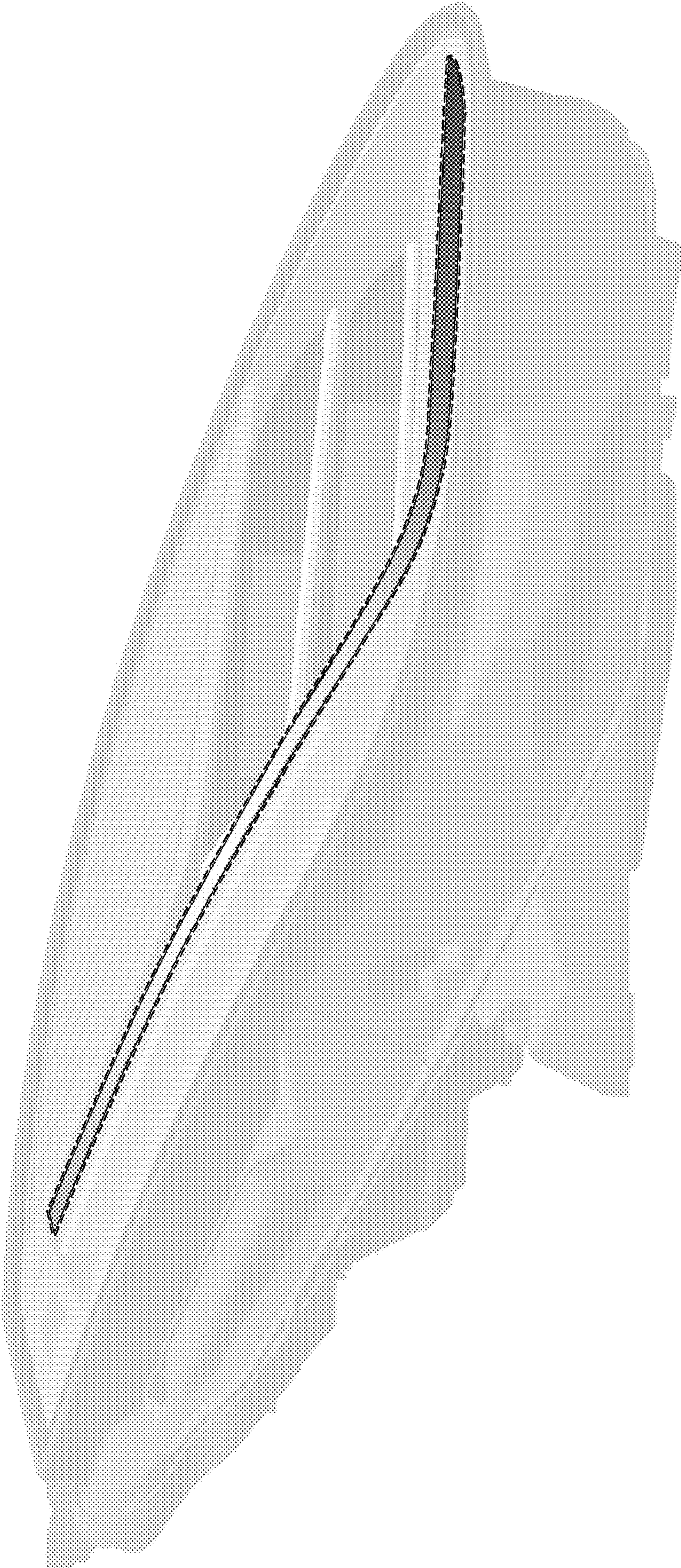


FIG. 1



FIG. 2

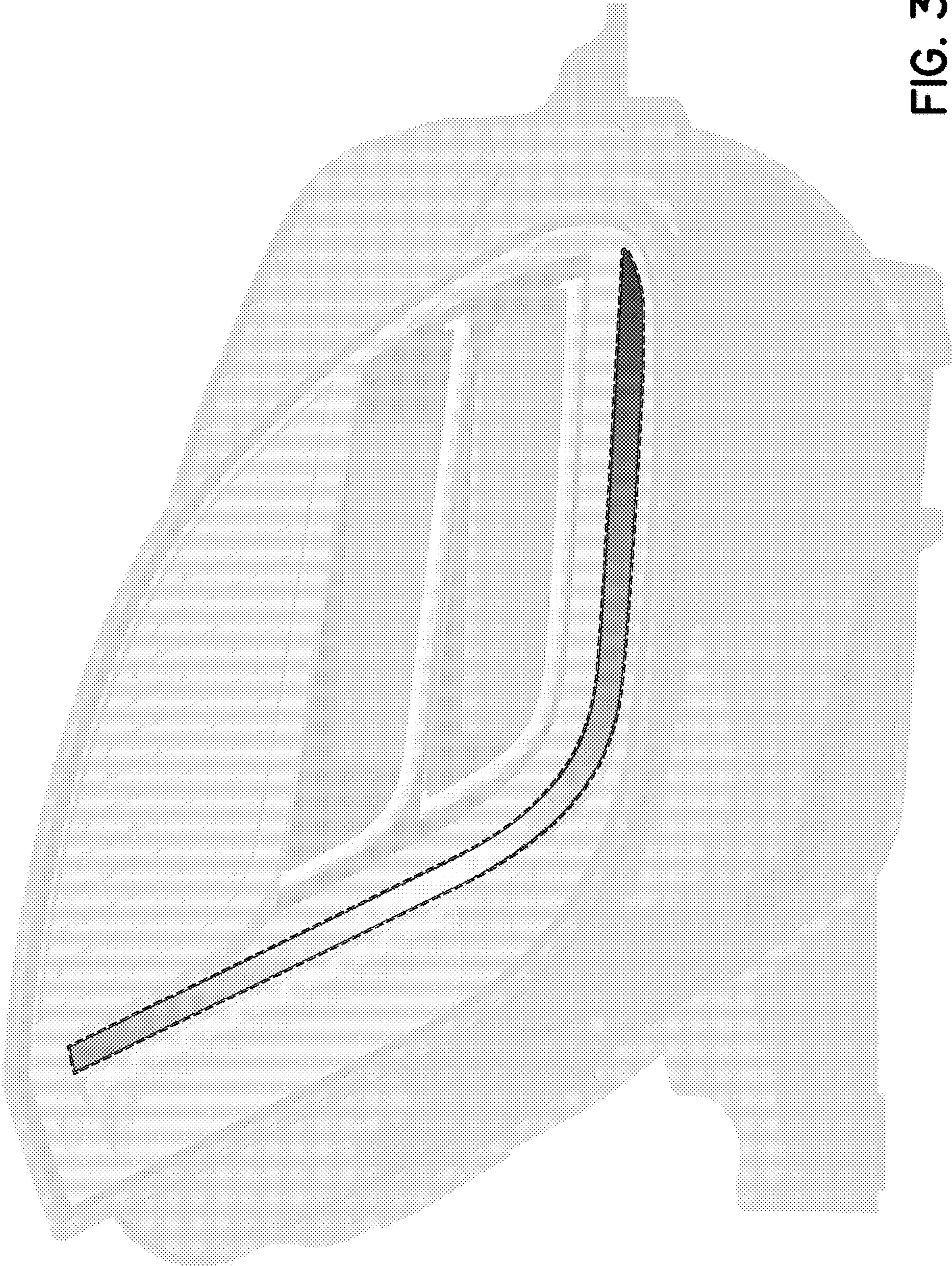


FIG. 3

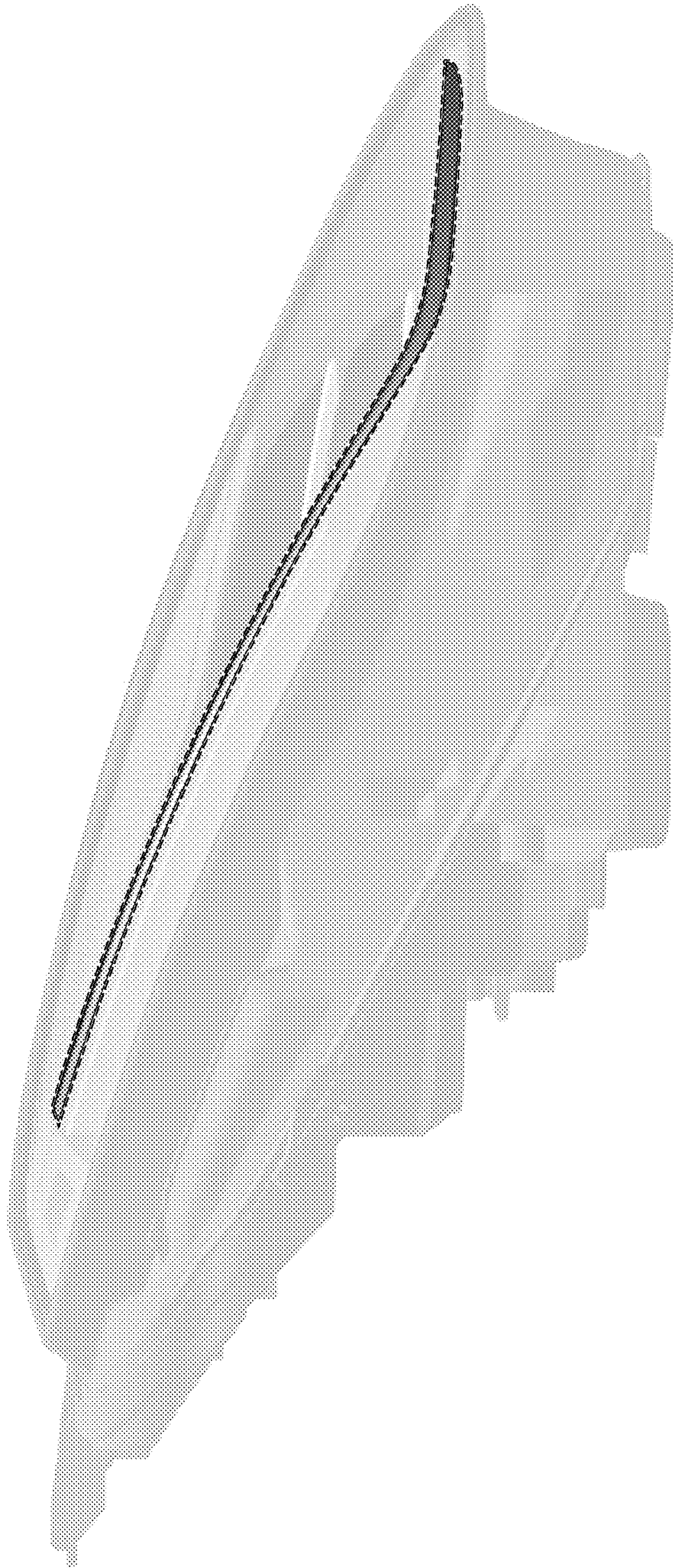


FIG. 4

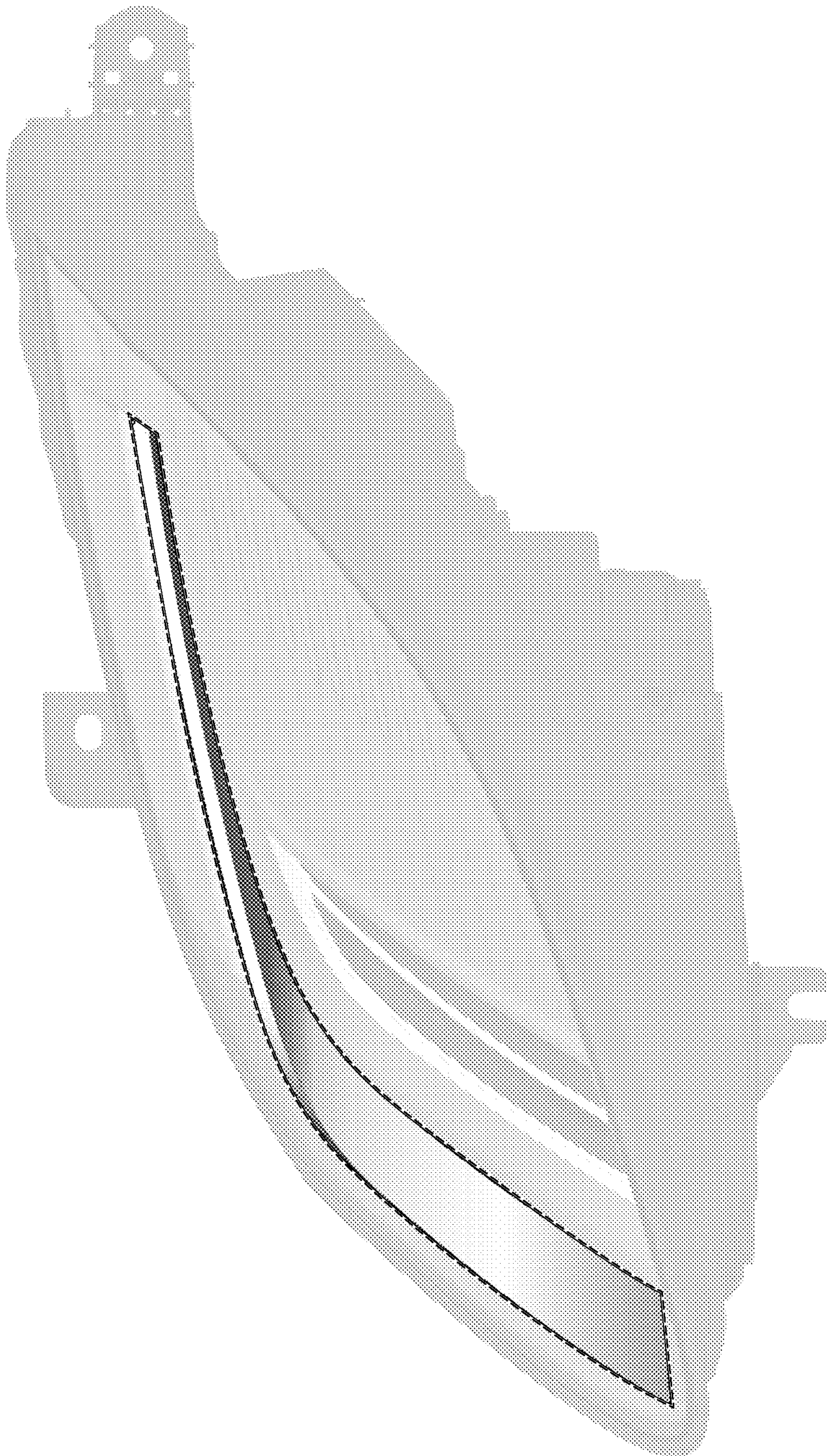


FIG. 5



FIG. 6