



US00D869695S

(12) **United States Design Patent** (10) **Patent No.:** **US D869,695 S**  
**Deng** (45) **Date of Patent:** **\*\* Dec. 10, 2019**

- (54) **LIGHTING FIXTURE**
- (71) Applicant: **EVERY INDUSTRY LLC**, Rancho Dominguez, CA (US)
- (72) Inventor: **Jinsheng Deng**, Rancho Dominguez, CA (US)
- (73) Assignee: **EVERY INDUSTRY LLC**, Rancho Dominguez, CA (US)
- (\*\*) Term: **15 Years**
- (21) Appl. No.: **29/649,172**
- (22) Filed: **May 28, 2018**
- (51) **LOC (12) Cl.** ..... **26-05**
- (52) **U.S. Cl.**  
USPC ..... **D26/25**; D26/56; D26/58; D26/80
- (58) **Field of Classification Search**  
USPC ..... D26/42, 51, 58, 72, 75, 76, 80, 81, 86, D26/90, 102, 25, 56  
CPC ..... F21V 7/005; F21V 7/0008; F21V 7/0016; F21V 21/00; F21V 21/005; F21V 21/008; F21V 21/35; F21S 8/031; F21S 8/038; F21S 8/04; F21S 8/06; F21S 8/063; F21S 8/066; F21S 4/00; F21S 4/28; F21Y 2101/00; F21Y 2103/00; F21Y 2103/10; F21W 2131/302  
See application file for complete search history.

- (56) **References Cited**  
U.S. PATENT DOCUMENTS  
D174,015 S \* 2/1955 Bosma ..... D19/113  
D220,580 S \* 4/1971 Edenberg ..... D26/80  
D426,327 S \* 6/2000 Guzik ..... D26/25  
D433,939 S \* 11/2000 Humphrey ..... D9/418  
D537,187 S \* 2/2007 Lucatello ..... D26/84

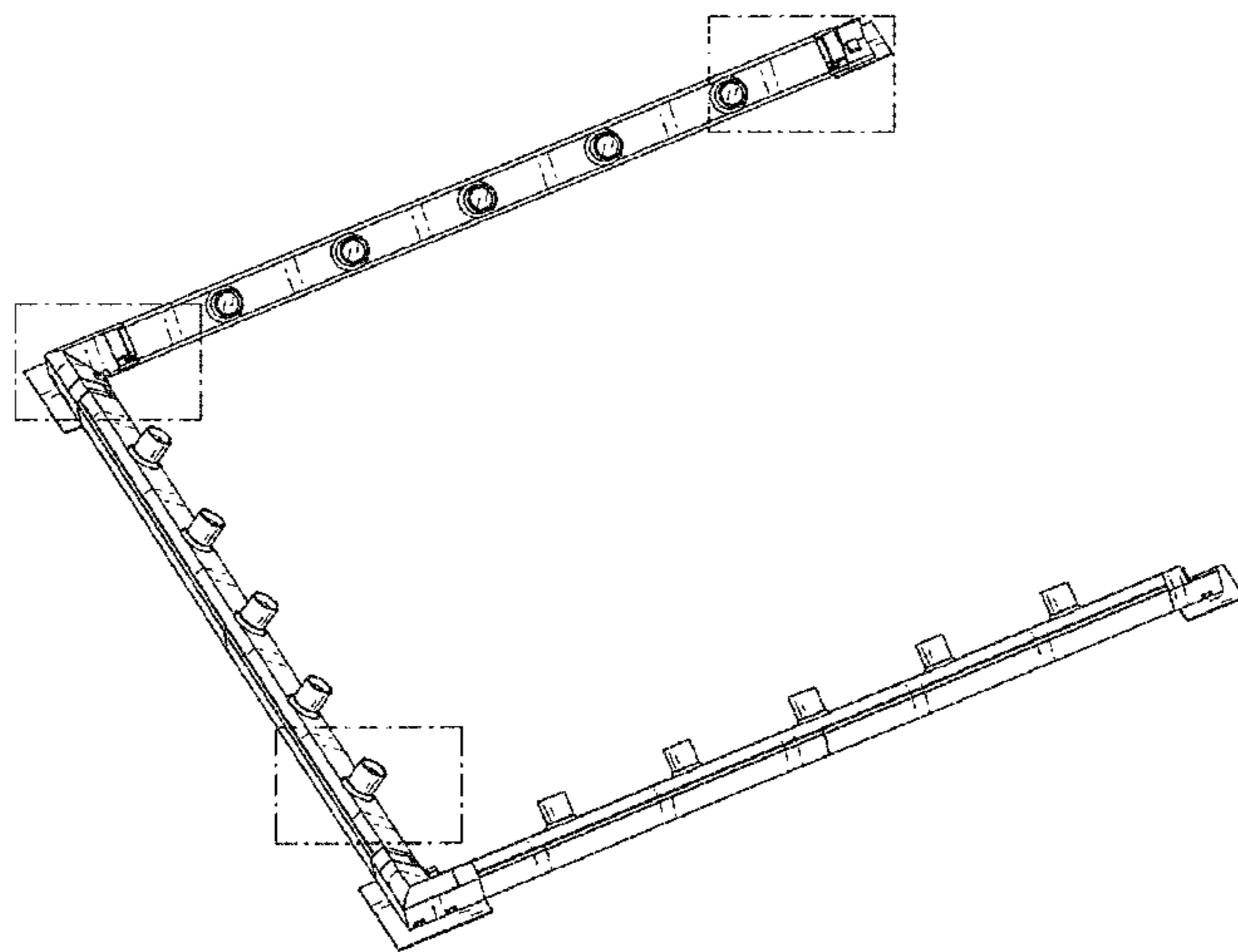
- 7,267,459 B2 \* 9/2007 Matheson ..... F21K 9/00 362/240
- D565,750 S \* 4/2008 Egawa ..... D26/1
- D624,671 S \* 9/2010 Greene ..... D26/25
- D655,447 S \* 3/2012 Sabernig ..... D26/113
- D666,766 S \* 9/2012 Van Der Schueren ..... D26/102
- 8,425,075 B1 \* 4/2013 Falat ..... F21S 4/22 362/145
- D701,342 S \* 3/2014 Novak ..... D26/75
- D829,972 S \* 10/2018 Sonneman ..... D26/138
- 2014/0254180 A1 \* 9/2014 Yeh ..... H05K 1/0203 362/373
- 2014/0362574 A1 \* 12/2014 Barrett ..... F21S 2/00 362/249.03
- 2014/0369061 A1 \* 12/2014 Kim ..... F21S 2/00 362/543
- 2017/0292661 A1 \* 10/2017 Moioli ..... F21S 4/28
- 2017/0336037 A1 \* 11/2017 Chien ..... F21V 3/02

\* cited by examiner  
*Primary Examiner* — Cathron C Brooks

(57) **CLAIM**  
The ornamental design for a lighting fixture, as shown and described.

**DESCRIPTION**  
FIG. 1 is a perspective view of a lighting fixture showing my new design;  
FIG. 2 is a front elevation view thereof;  
FIG. 3 is area elevation view thereof;  
FIG. 4 is a left side elevation view thereof;  
FIG. 5 is a right side elevation view thereof;  
FIG. 6 is a top plan view thereof;  
FIG. 7 is a bottom plan view thereof;  
FIG. 8 is an enlarged view of a portion of FIG. 1;  
FIG. 9 is an enlarged view of a portion of FIG. 1; and,  
FIG. 10 is an enlarged view of a portion of FIG. 1.

**1 Claim, 10 Drawing Sheets**



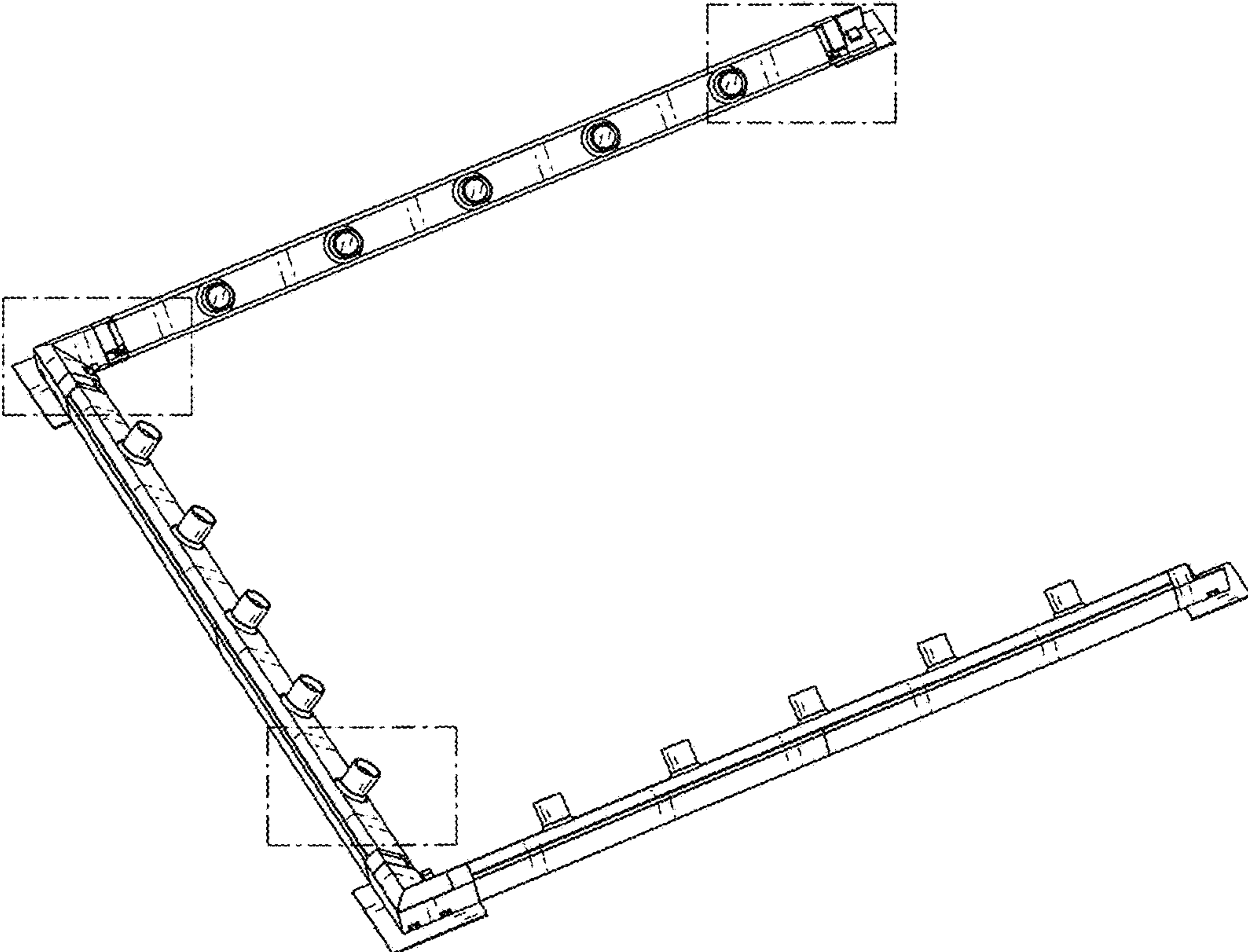


Fig. 1

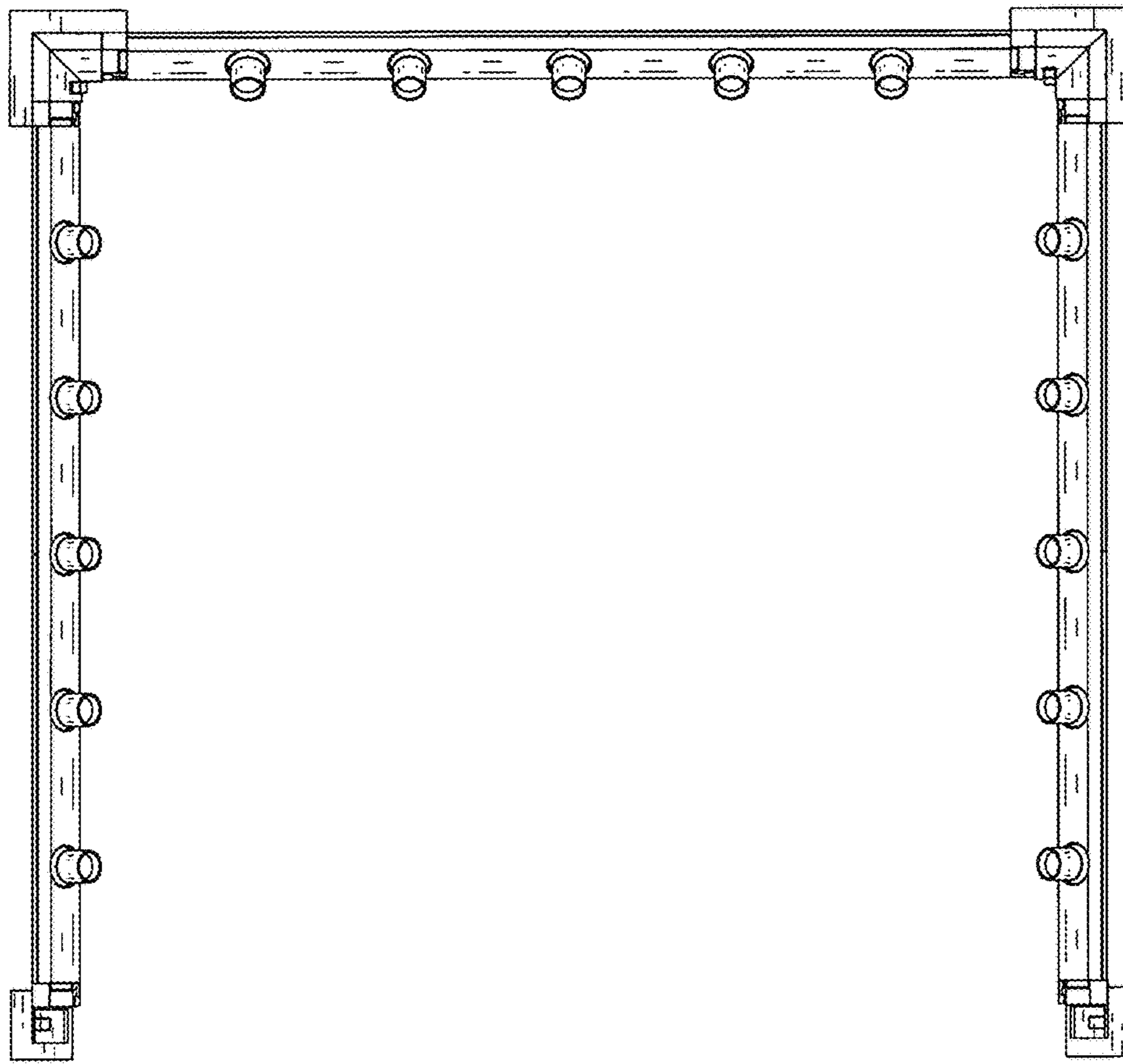


Fig.2

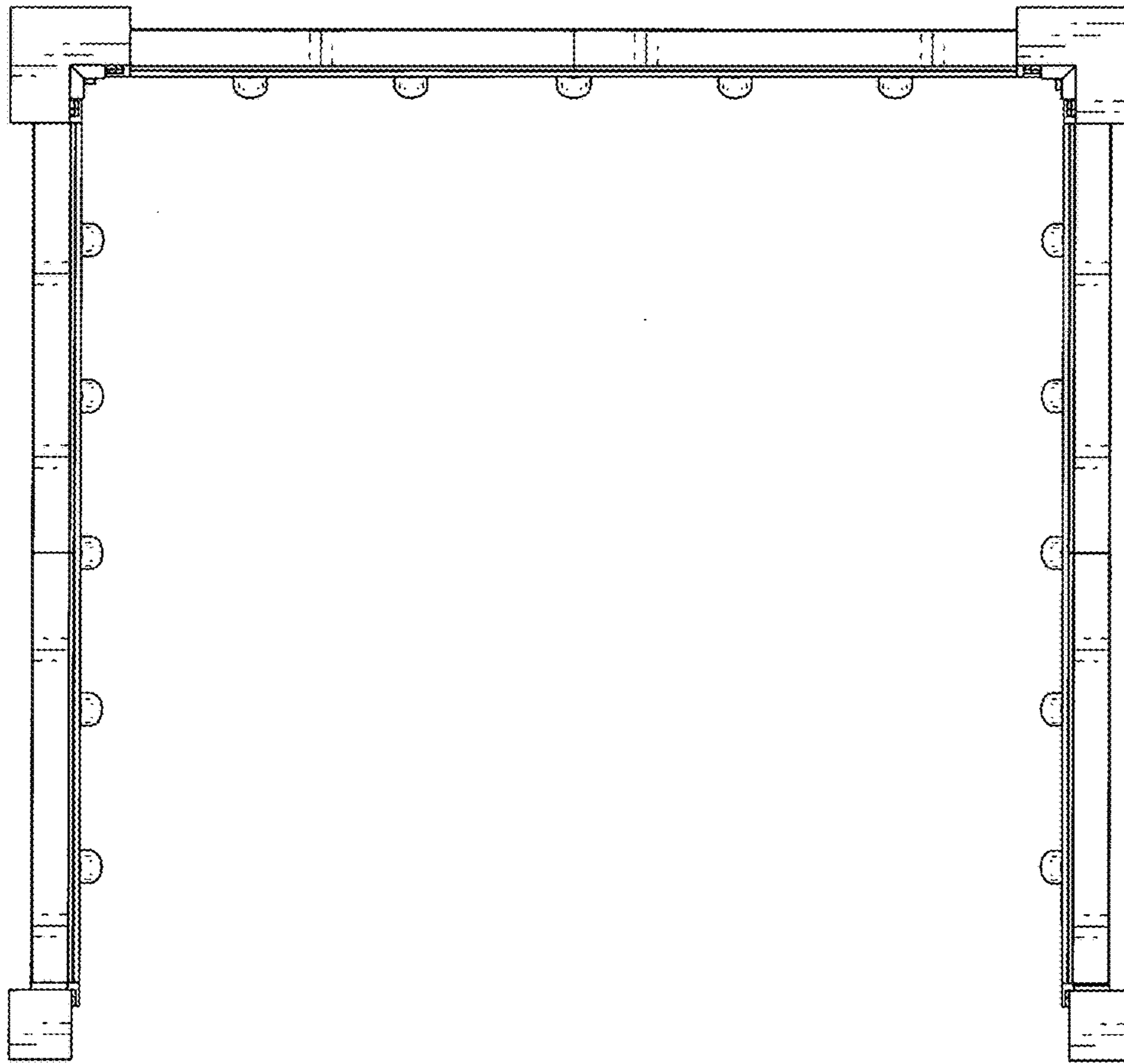


Fig.3

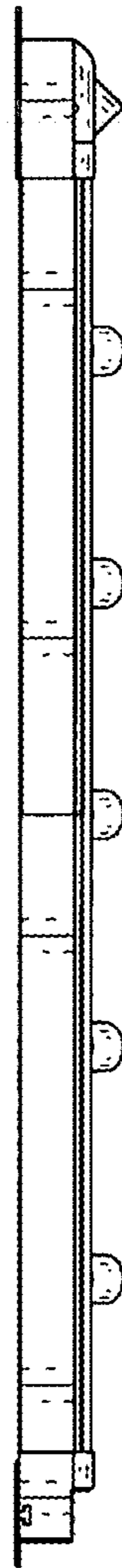


Fig.4

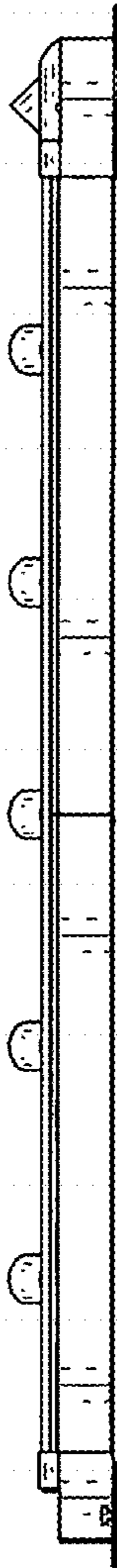


Fig.5

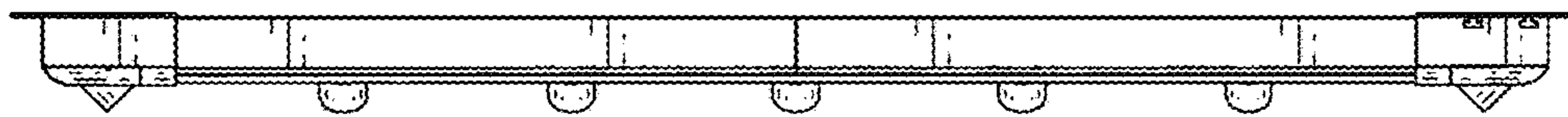


Fig.6

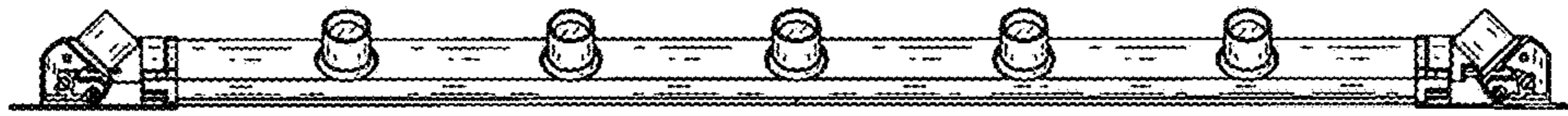


Fig.7



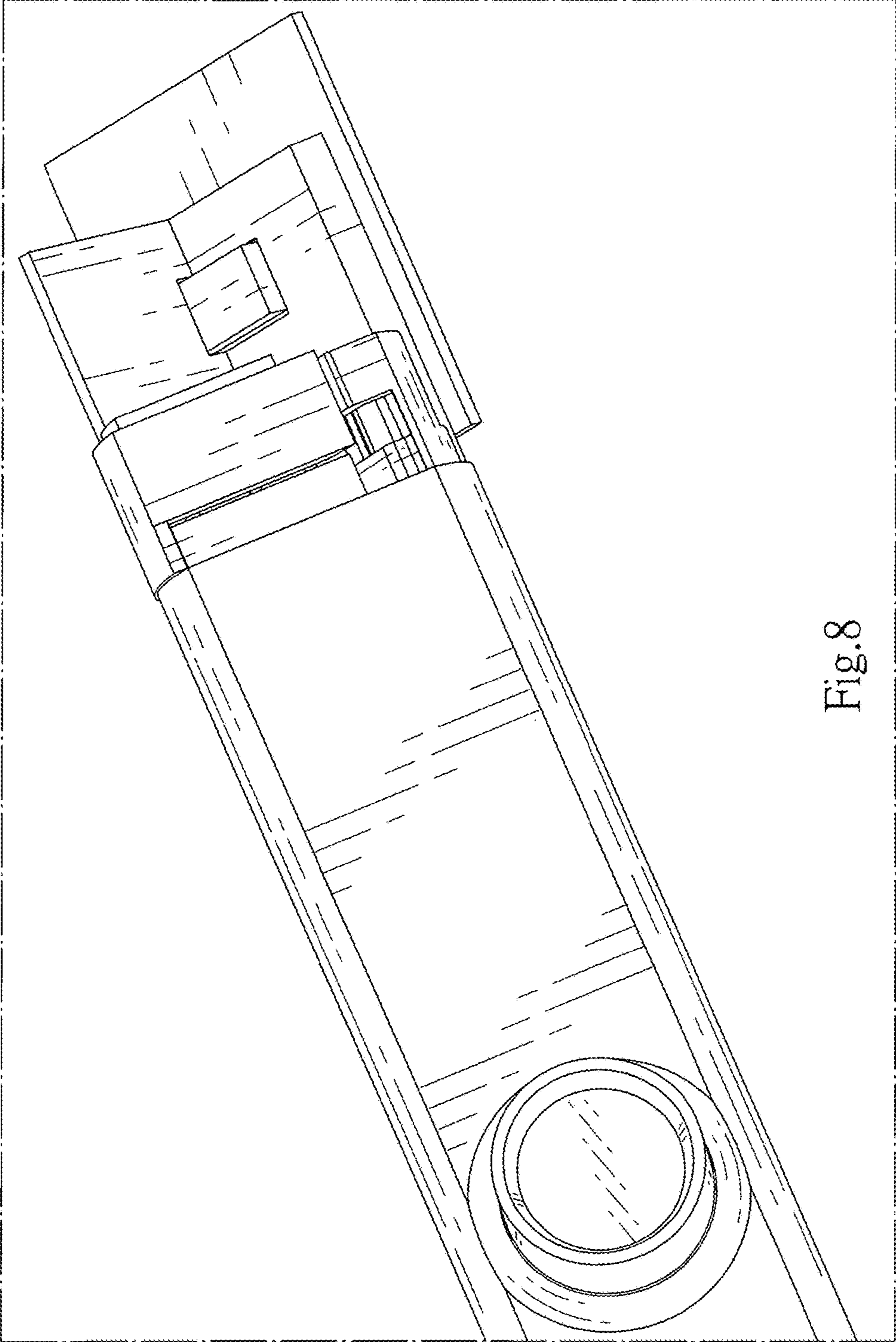


Fig.8

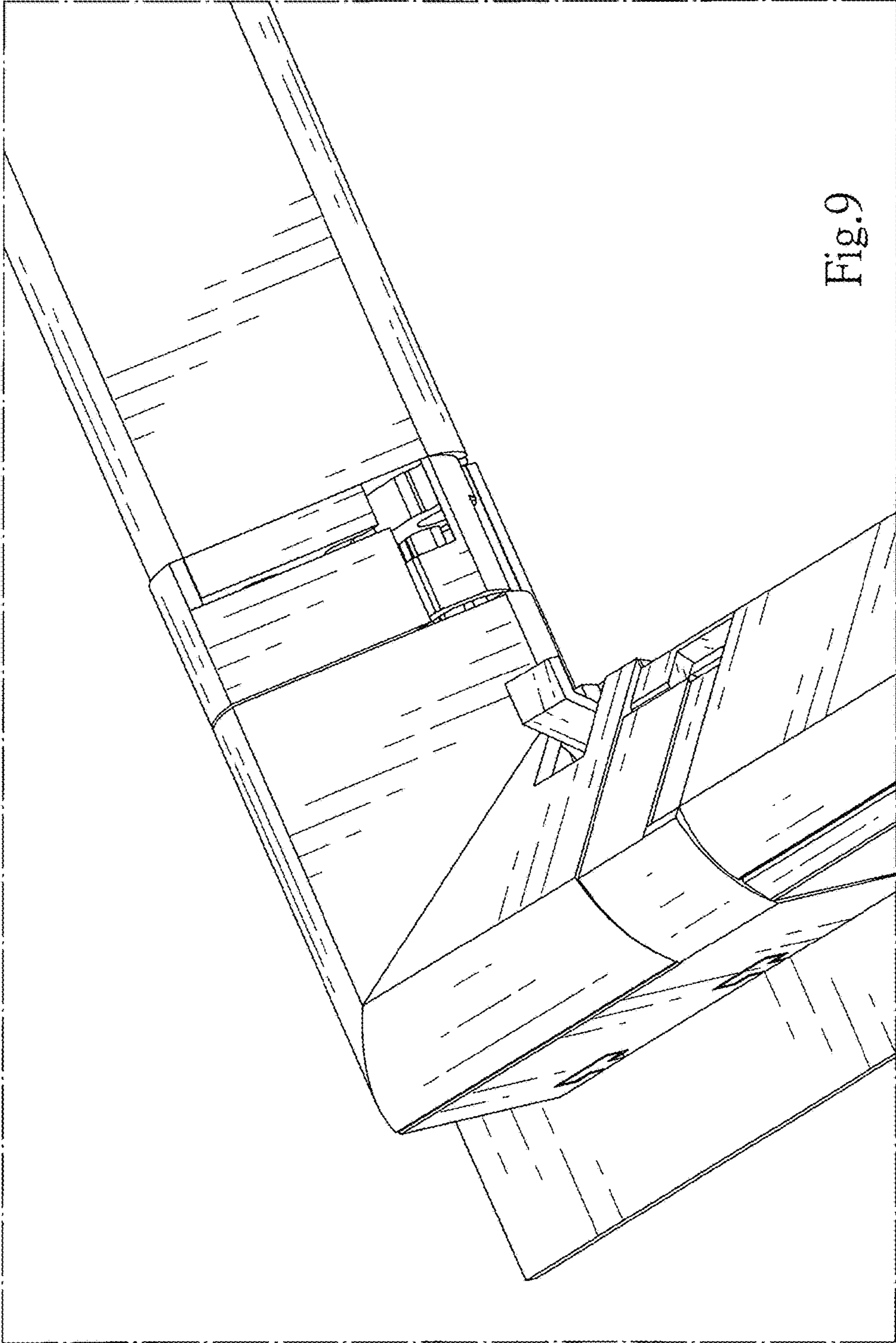


Fig. 9

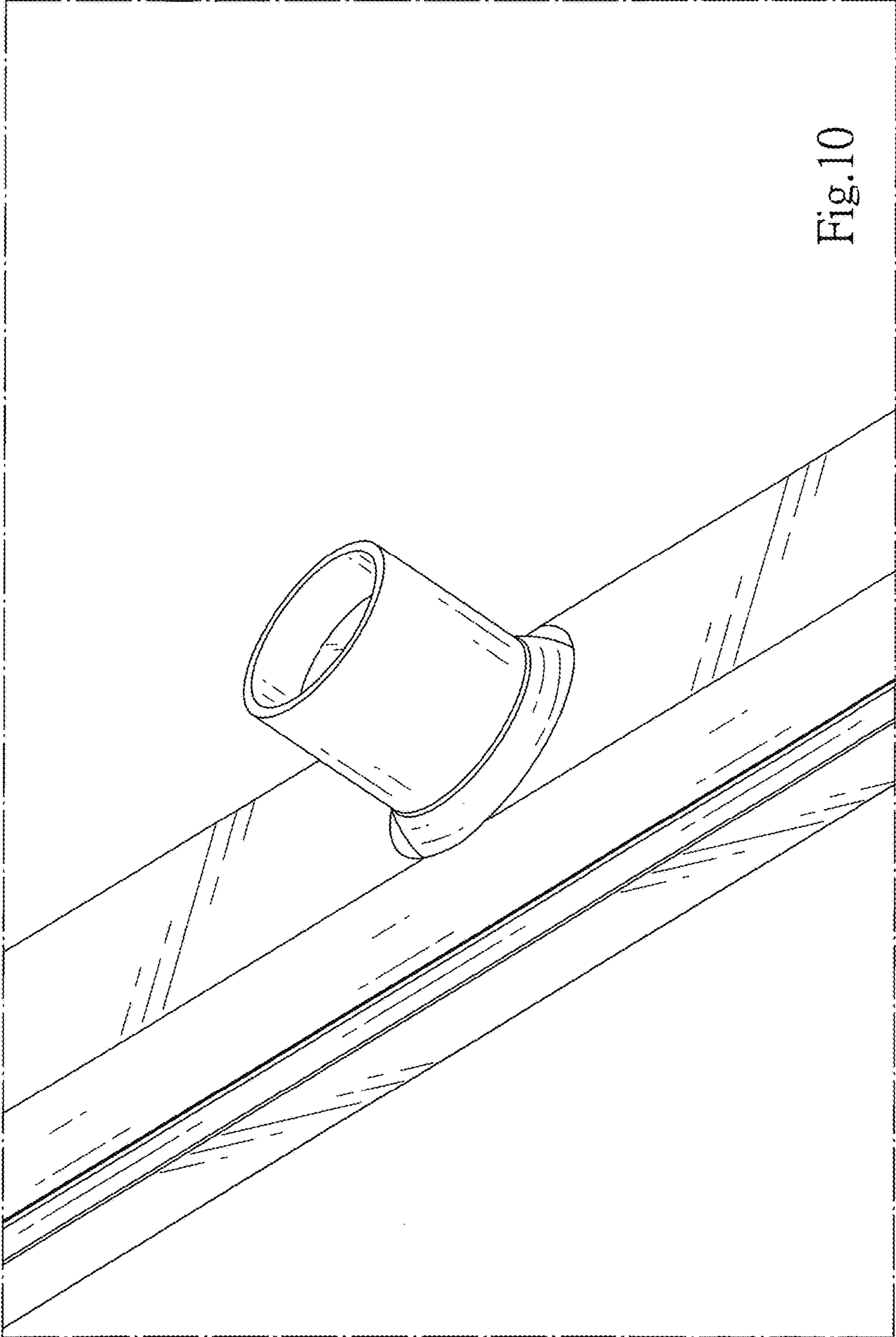


Fig.10