



US00D869691S

(12) **United States Design Patent**
Freiborg

(10) **Patent No.:** **US D869,691 S**

(45) **Date of Patent:** **** *Dec. 10, 2019**

(54) **LAMINATED ROOF SHINGLE**

(71) Applicant: **Mark Freiburg**, Long Beach, CA (US)

(72) Inventor: **Mark Freiburg**, Long Beach, CA (US)

(73) Assignee: **FREIBORG ENTERPRISES, INC.**,
South Gate, CA (US)

(*) Notice: This patent is subject to a terminal disclaimer.

(**) Term: **15 Years**

(21) Appl. No.: **29/608,123**

(22) Filed: **Jun. 19, 2017**

(51) **LOC (12) Cl.** **25-01**

(52) **U.S. Cl.**
USPC **D25/139**

(58) **Field of Classification Search**
USPC D25/138-141, 143, 144, 157-163
(Continued)

(56) **References Cited**

U.S. PATENT DOCUMENTS

3,613,328 A 10/1971 Morgan, Jr.
3,624,975 A * 12/1971 Morgan et al. E04D 1/26
52/105

(Continued)

Primary Examiner — Kevin K Rudzinski

Assistant Examiner — Kimberly Barnes

(57) **CLAIM**

I claim the ornamental design for a laminated roof shingle, as shown and described.

DESCRIPTION

FIG. 1 is a perspective view of a laminated roof shingle showing my new design according to a first embodiment.

FIG. 2 is a top plan view of the laminated roof shingle showing my new design according to a first embodiment.

FIG. 3 is a perspective view of a laminated roof shingle showing my new design according to a second embodiment.

FIG. 4 is a top plan view of the laminated roof shingle showing my new design according to a second embodiment.

FIG. 5 is a perspective view of a laminated roof shingle showing my new design according to a third embodiment.

FIG. 6 is a top plan view of the laminated roof shingle showing my new design according to a third embodiment.

FIG. 7 is a perspective view of a laminated roof shingle showing my new design according to a fourth embodiment.

FIG. 8 is a top plan view of the laminated roof shingle showing my new design according to a fourth embodiment.

FIG. 9 is a perspective view of a laminated roof shingle showing my new design according to a fifth embodiment.

FIG. 10 is a top plan view of the laminated roof shingle showing my new design according to a fifth embodiment.

FIG. 11 is a perspective view of a laminated roof shingle showing my new design according to a sixth embodiment.

FIG. 12 is a top plan view of the laminated roof shingle showing my new design according to a sixth embodiment.

FIG. 13 is a perspective view of a laminated roof shingle showing my new design according to a seventh embodiment; and,

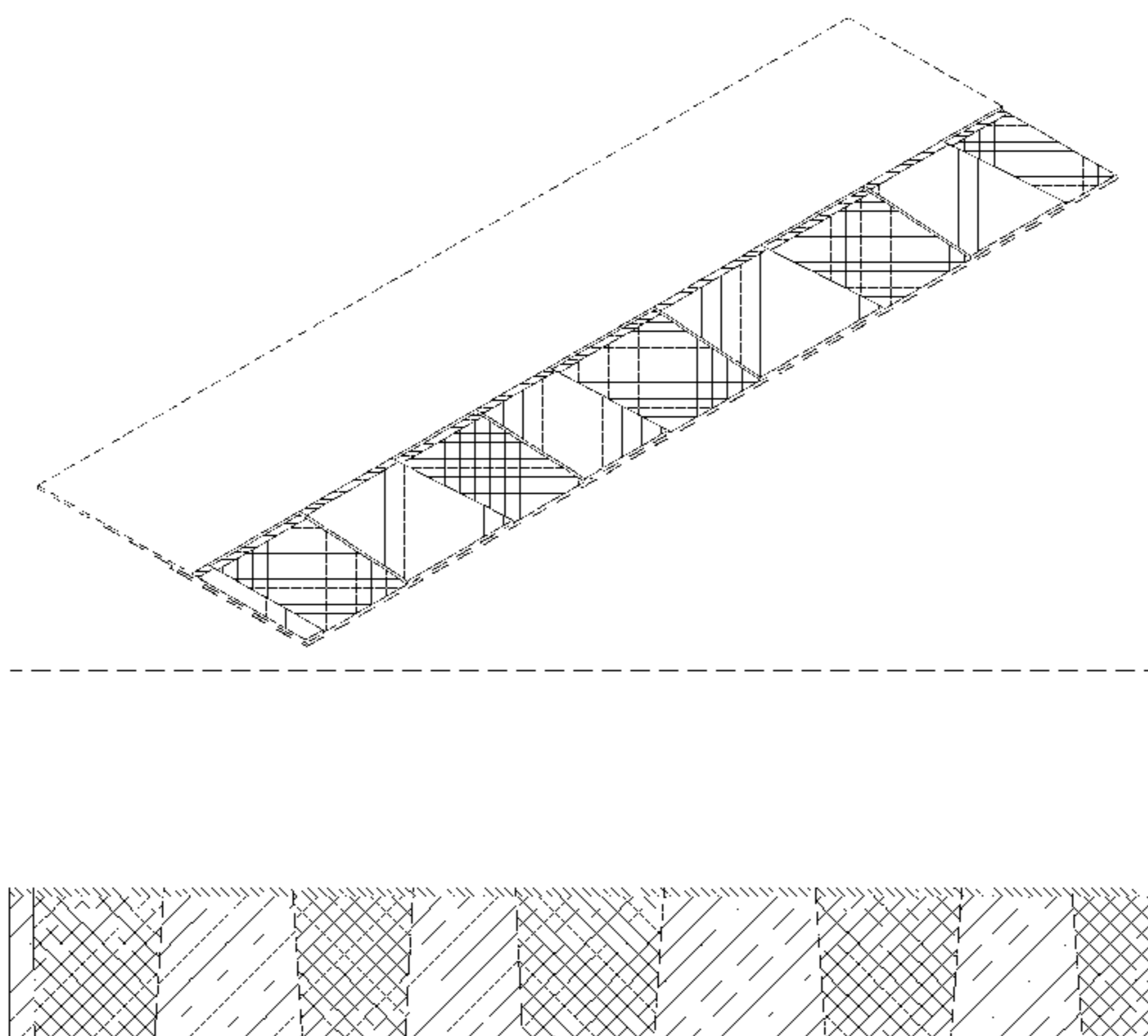
FIG. 14 is a top plan view of the laminated roof shingle showing my new design according to a seventh embodiment.

The bottom and the four sides of the laminated roof shingle, shown in broken lines, are unornamented and form no part of the claimed design. The laminated roof shingle is of conventional thickness, exaggerated in the perspective views for ease of illustration.

The hatched areas in the figures indicate granular surfaces of contrasting appearance. My ornamental design is formed with a first granular surface that contrasts with a second adjacent granular surface and a third adjacent granular surface. Each of the three granular surfaces are visually distinct from one another.

The remaining broken lines in the figures show a portion of the laminated roof shingle that is covered and not visible

(Continued)



when the laminated roof shingle is used normally as part of a roof covering and forms no part of the claimed design.

1 Claim, 7 Drawing Sheets

(58) Field of Classification Search

CPC E04D 1/00; E04D 1/02; E04D 1/06; E04D 1/12; E04D 1/18; E04D 1/26; E04D 3/00; E04D 3/02; E04D 3/16; E04D 1/08; E04D 1/28; E04D 2001/005; E04D 2001/3491; E04D 3/35; E04D 7/005; E04D 1/30; E04D 1/36

See application file for complete search history.

(56)

References Cited

U.S. PATENT DOCUMENTS

4,233,100	A	11/1980	Cunningham et al.	
4,274,243	A	6/1981	Corbin et al.	
4,333,279	A	6/1982	Corbin et al.	
4,527,374	A	7/1985	Corbin	
4,717,614	A	1/1988	Bondoc et al.	
D309,027	S *	7/1990	Noone	D25/139
D344,144	S	2/1994	Weaver et al.	
5,369,929	A	12/1994	Weaver et al.	
D369,421	S *	4/1996	Kiik	D25/139
5,611,186	A	3/1997	Weaver	
D379,672	S *	6/1997	Lamb	D25/139
5,666,776	A	9/1997	Weaver et al.	
D417,513	S *	12/1999	Blanpied	D25/139
6,014,847	A	1/2000	Phillips	
6,174,403	B1	1/2001	Steiner, Jr. et al.	
6,190,754	B1 *	2/2001	Bondoc	E04D 1/26 156/260

D466,629	S	12/2002	Phillips	
6,708,456	B2 *	3/2004	Kiik	A47G 27/0468 428/141
7,240,462	B2	7/2007	Elliott et al.	
D576,316	S *	9/2008	Elliott	D25/139
7,510,622	B2 *	3/2009	Kalkanoglu	B26D 5/34 156/278
7,833,371	B2 *	11/2010	Binkley	B29C 65/56 156/308.2
7,877,949	B1 *	2/2011	Elliott	E04D 1/26 52/314
D644,753	S *	9/2011	Elliott	E04D 1/26 D25/139
8,438,812	B2	5/2013	King et al.	
D695,925	S *	12/2013	Ray	D25/143
8,623,164	B2 *	1/2014	Belt	B32B 11/02 156/260
8,776,471	B2	7/2014	Jenkins et al.	
8,789,332	B1	7/2014	Halliley et al.	
D750,810	S	3/2016	Buzza	
9,290,945	B2 *	3/2016	Beerer	E04D 1/28
10,174,504	B1 *	1/2019	Freiborg	E04D 1/26
10,180,002	B2 *	1/2019	Freiborg	E04D 1/26
10,180,003	B2 *	1/2019	Freiborg	E04D 1/26
10,196,821	B2 *	2/2019	Anderson	E04D 1/30
2004/0055241	A1 *	3/2004	Railkar	E04D 1/26 52/555
2004/0103611	A1	6/2004	King et al.	
2006/0059834	A1	3/2006	Elliott et al.	
2006/0179767	A1	8/2006	Miller et al.	
2011/0209428	A1	9/2011	Elliott	
2013/0025226	A1	1/2013	Jenkins et al.	
2013/0298490	A1	11/2013	Jenkins et al.	
2014/0260047	A1	9/2014	Jenkins et al.	
2015/0240495	A1 *	8/2015	Vermilion	E04D 1/00 428/142
2017/0321423	A1 *	11/2017	Aschenbeck	E04D 1/36

* cited by examiner

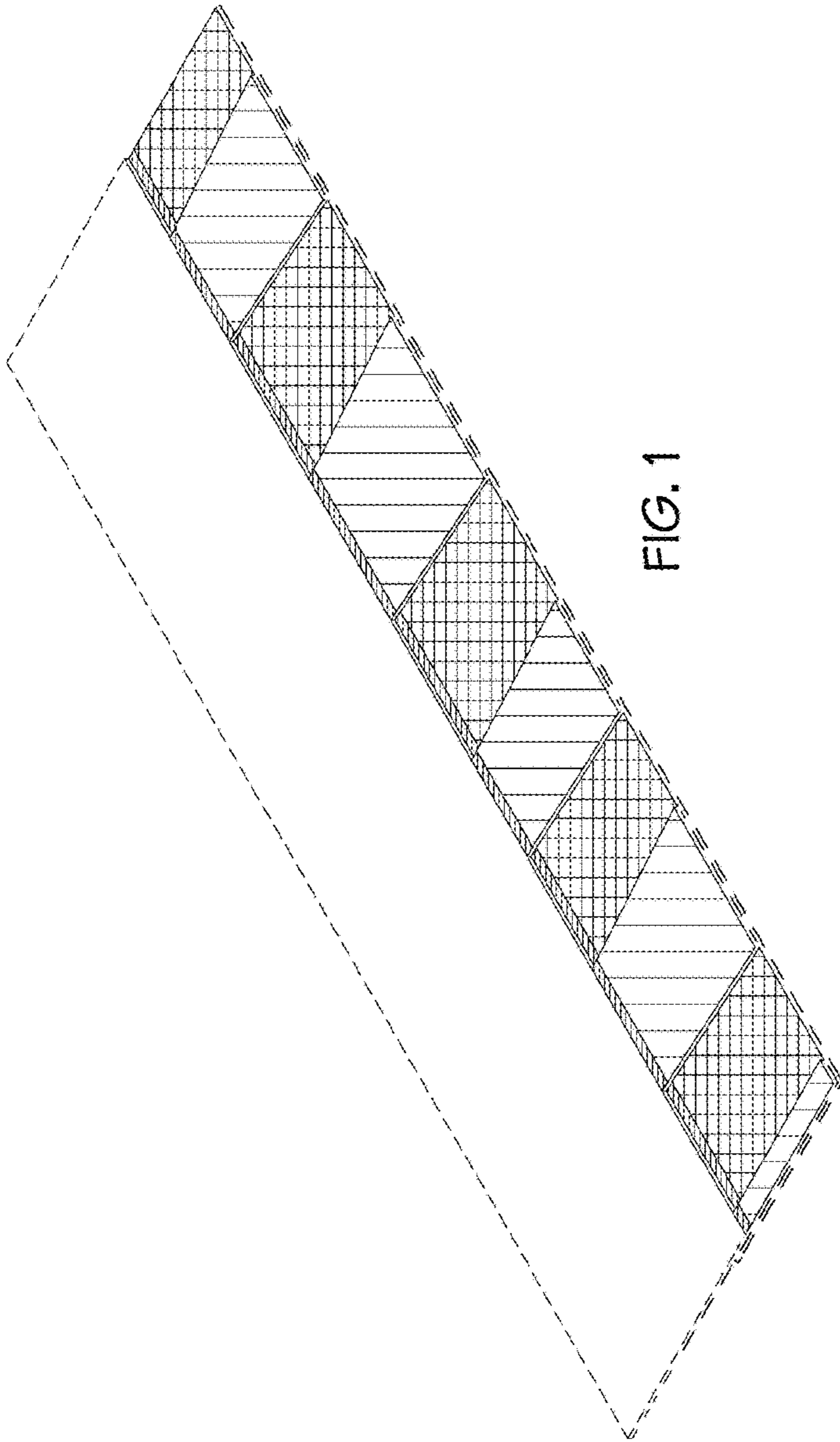


FIG. 1

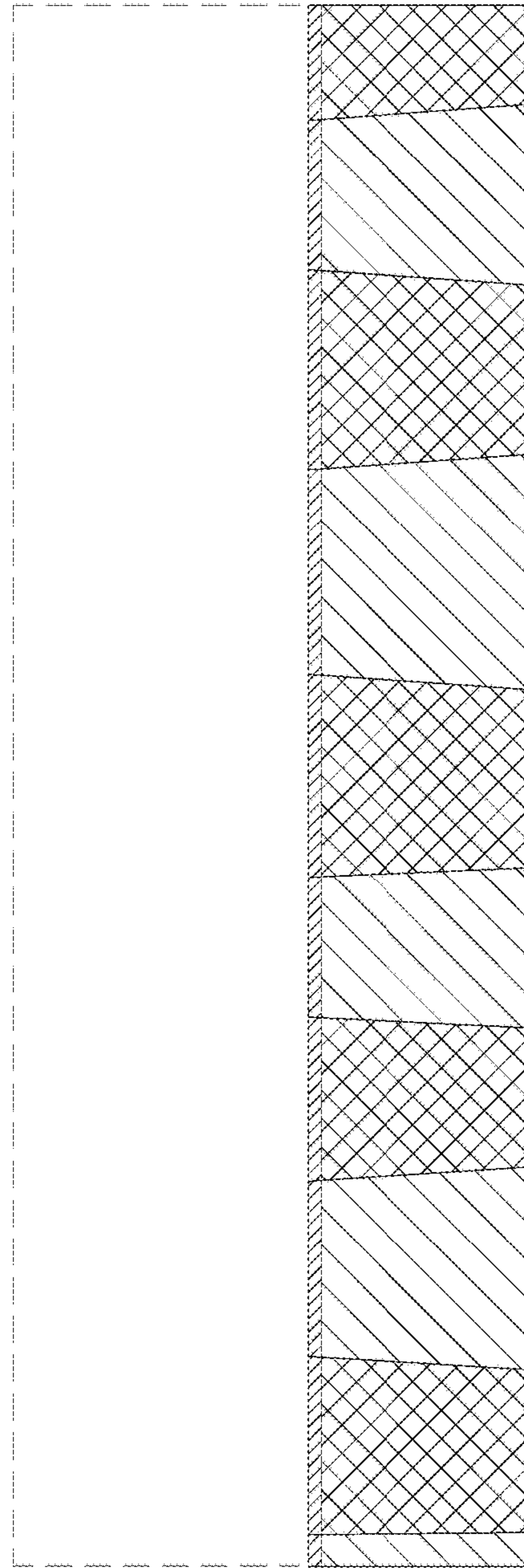


FIG. 2

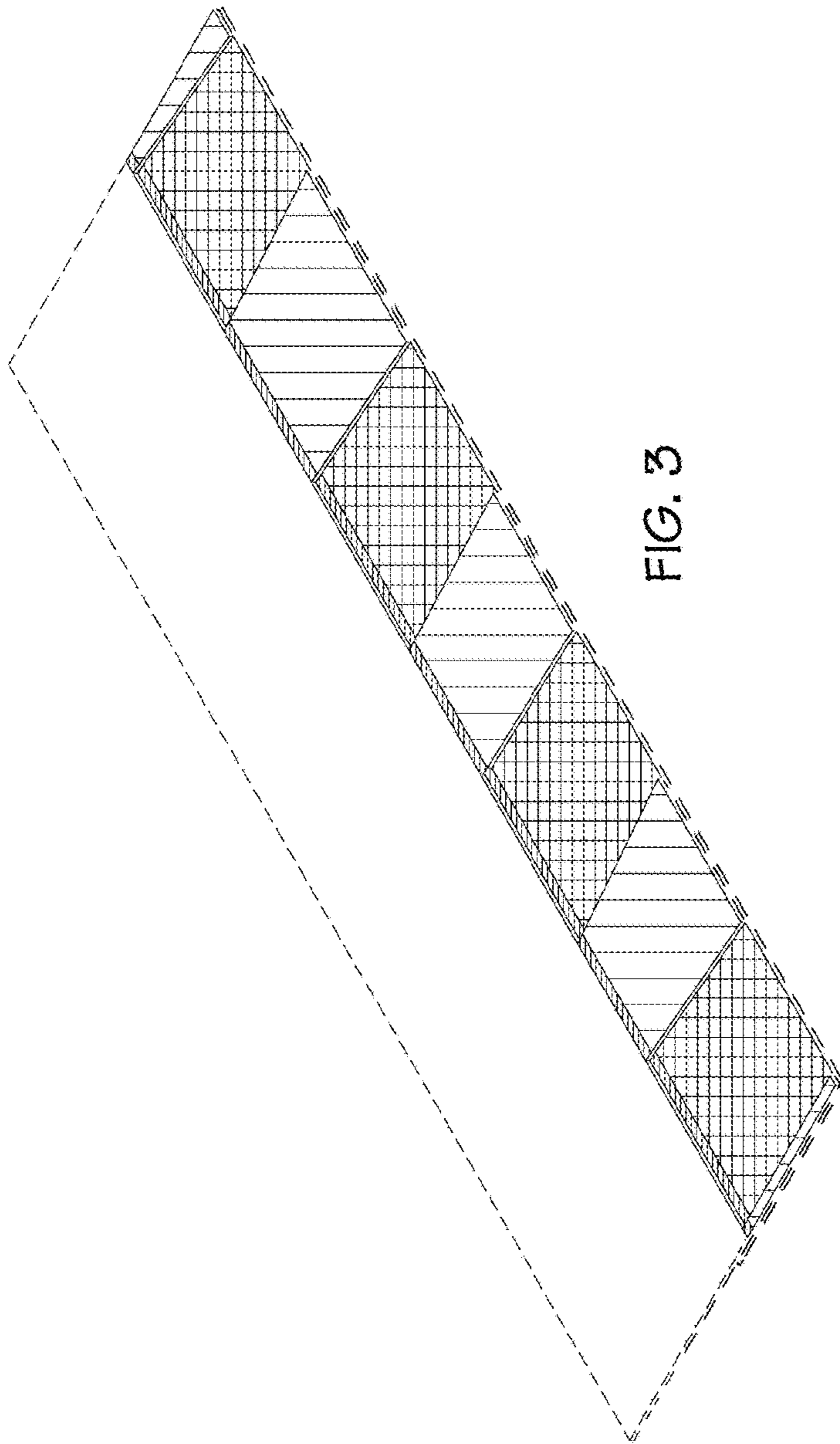


FIG. 3

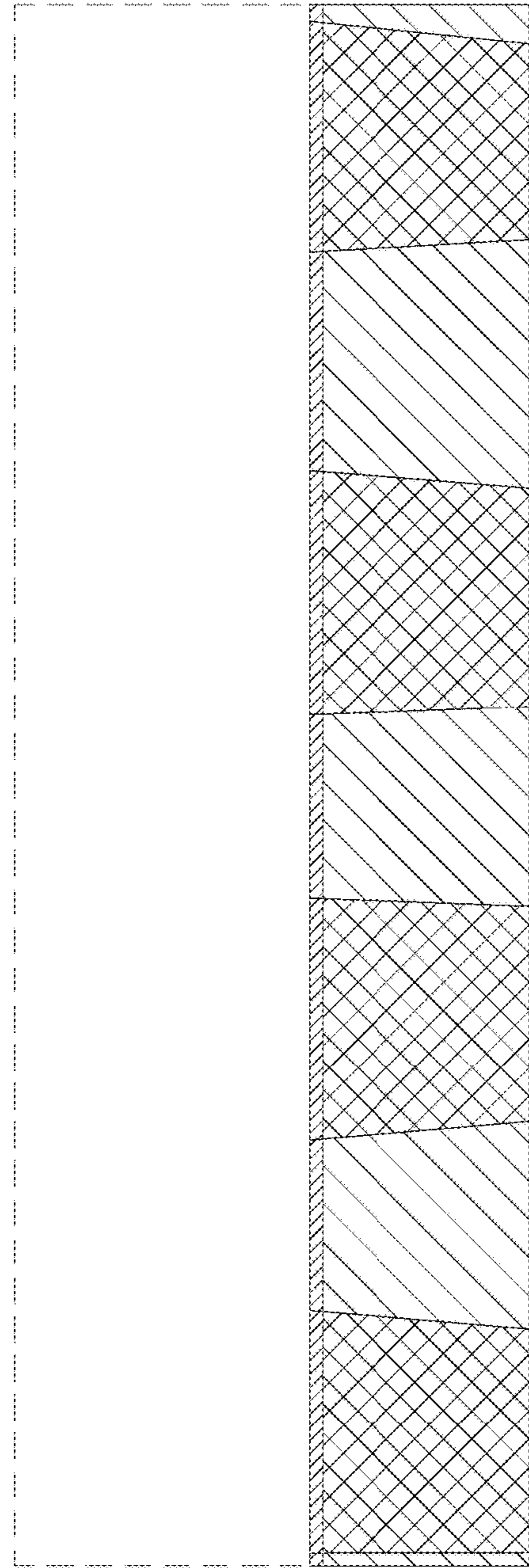


FIG. 4

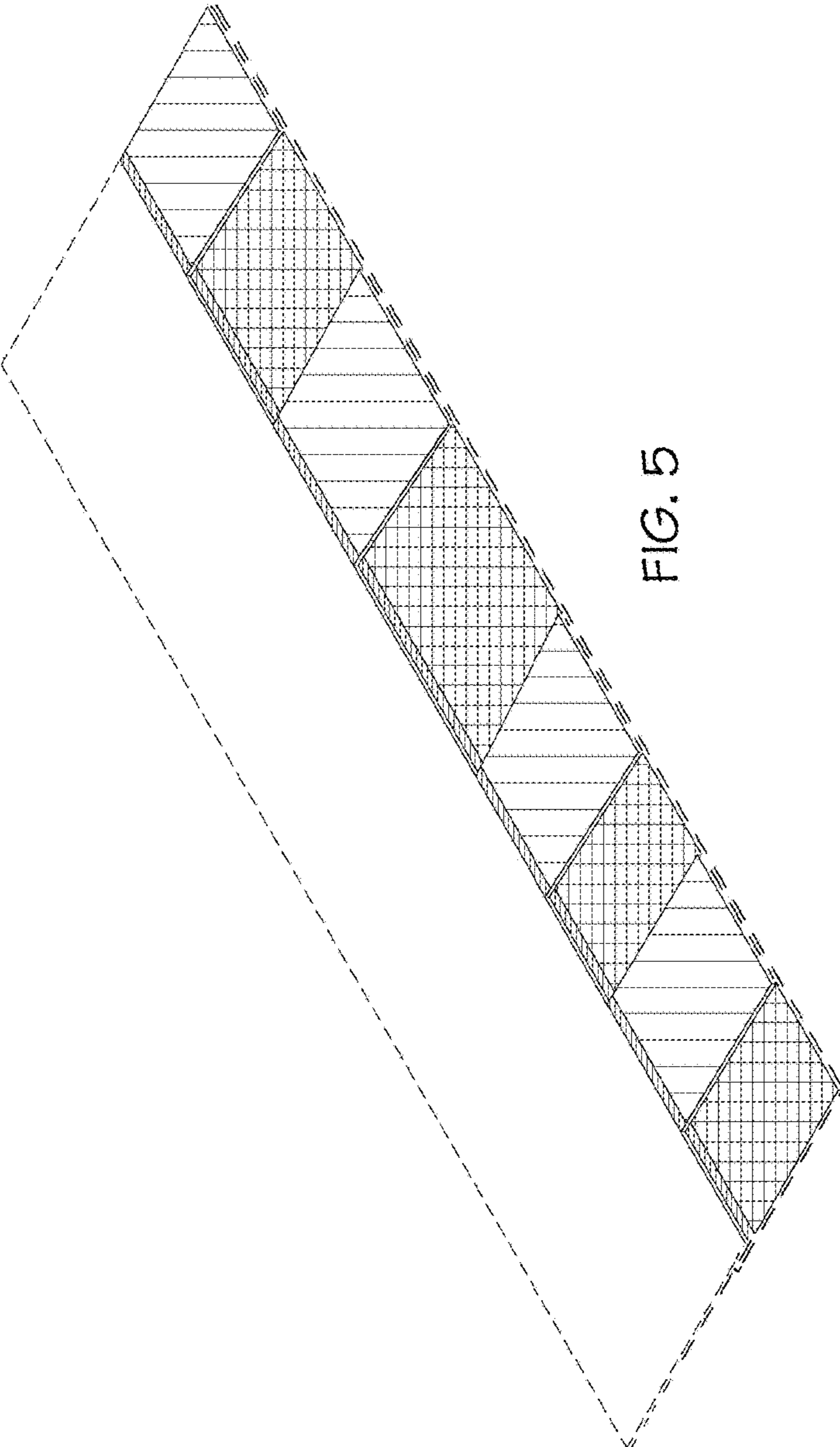


FIG. 5

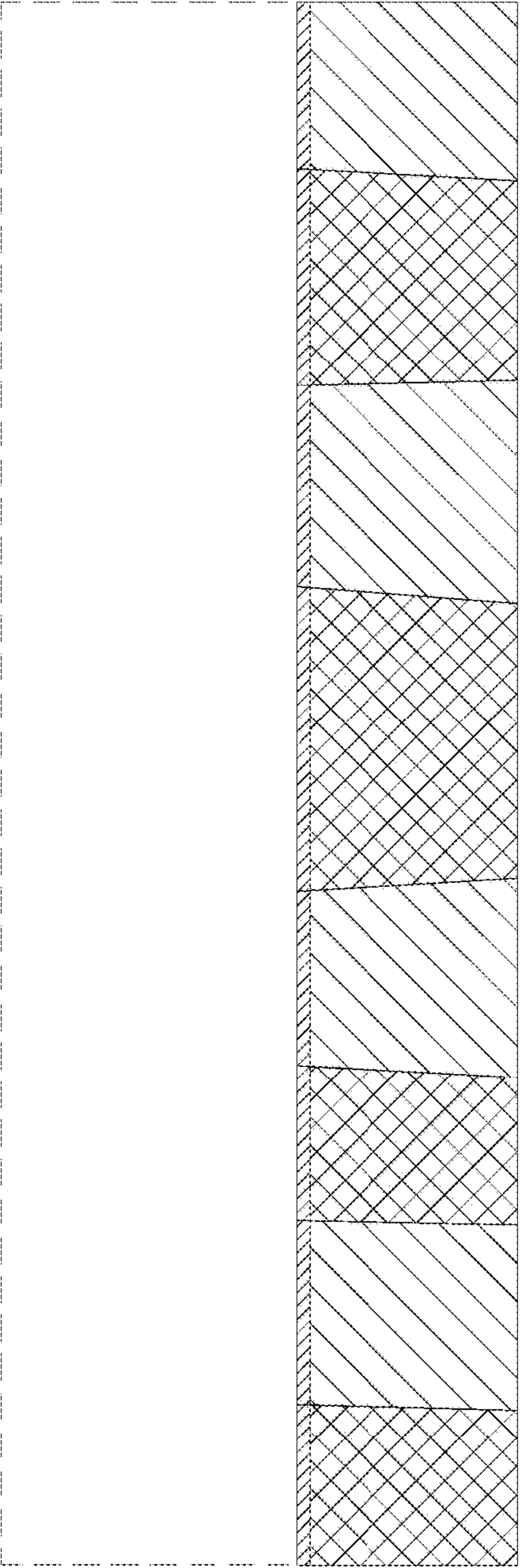


FIG. 6

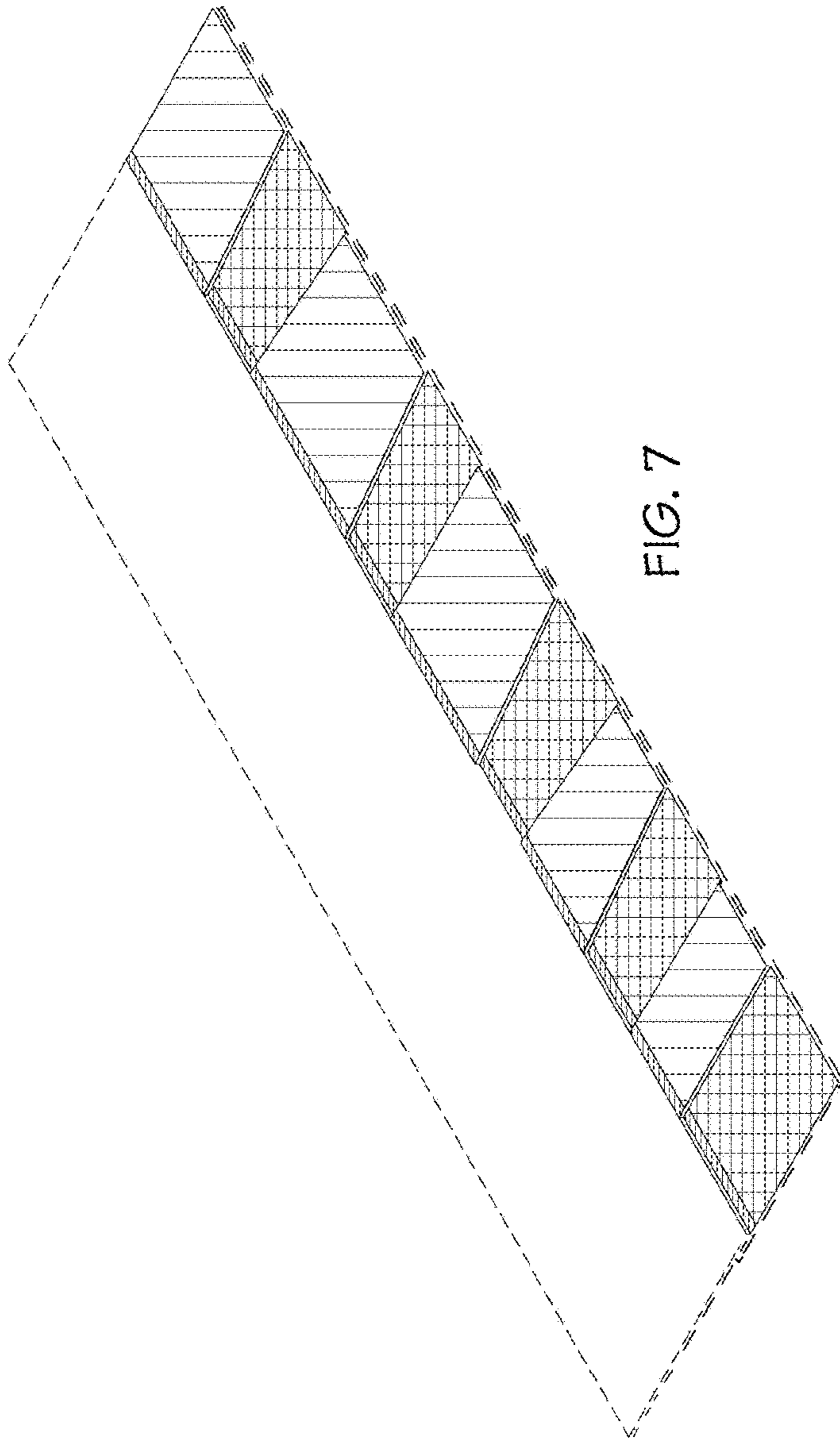


FIG. 7

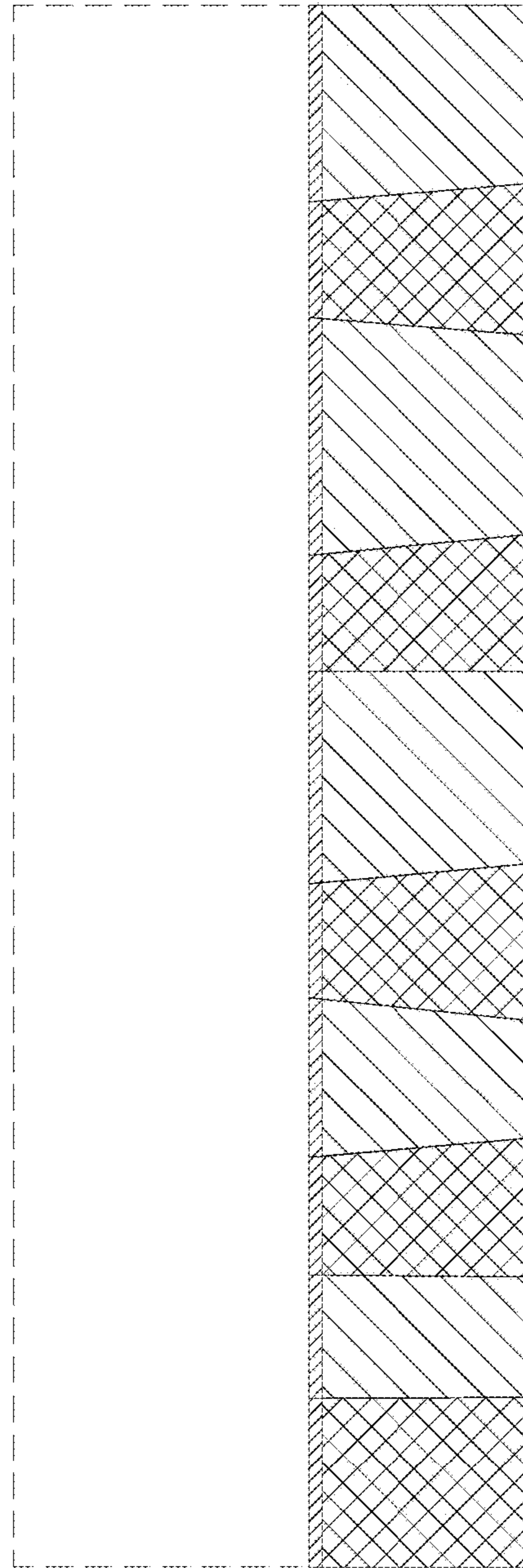


FIG. 8

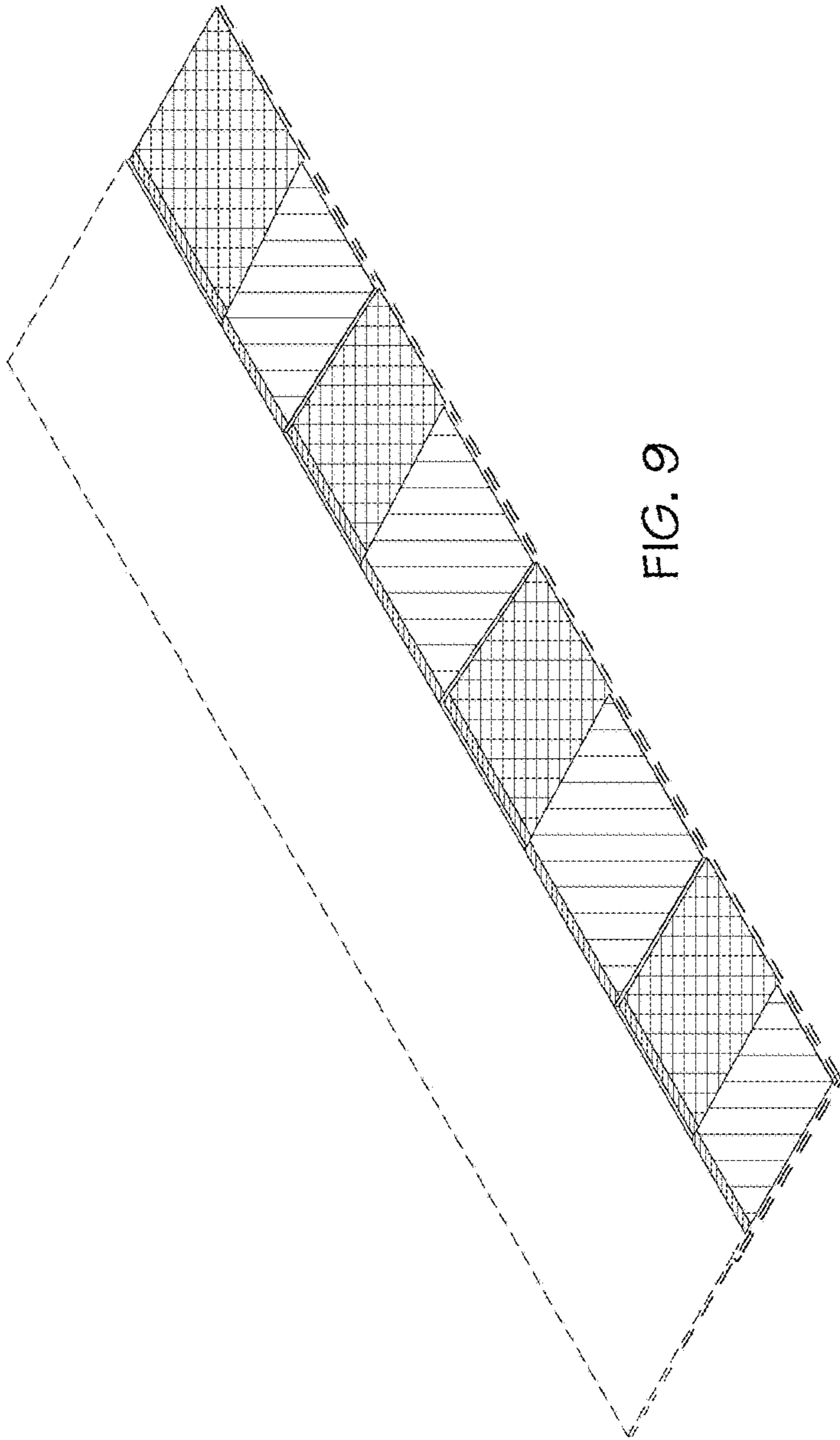


FIG. 9

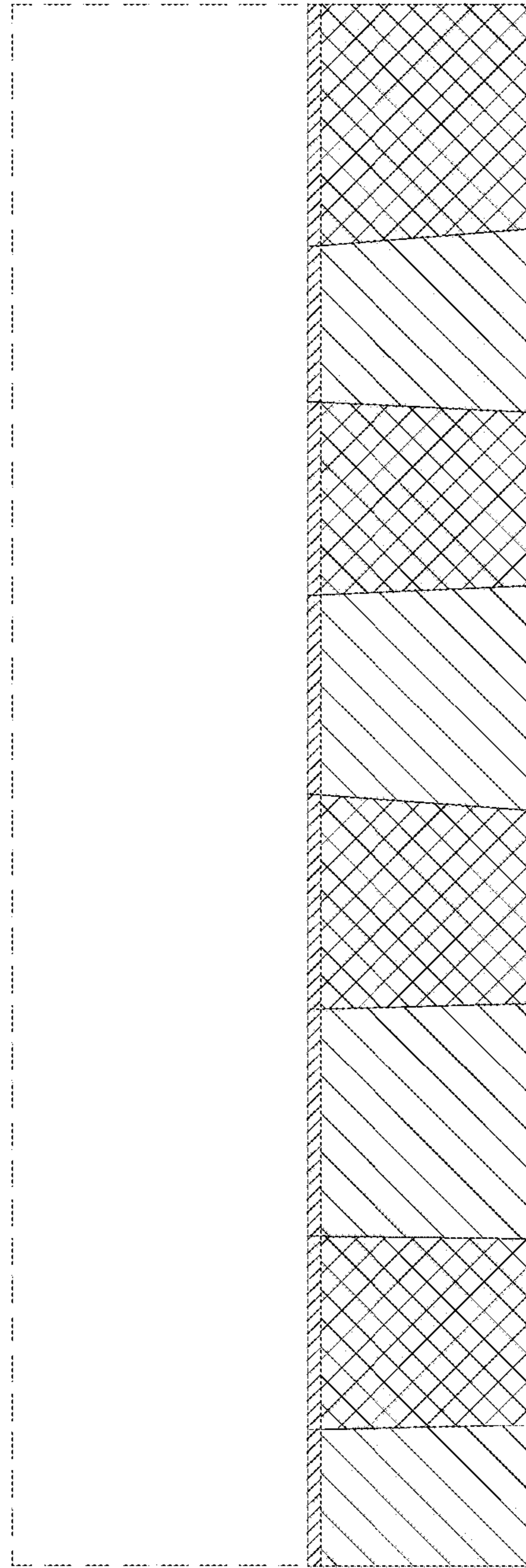


FIG. 10

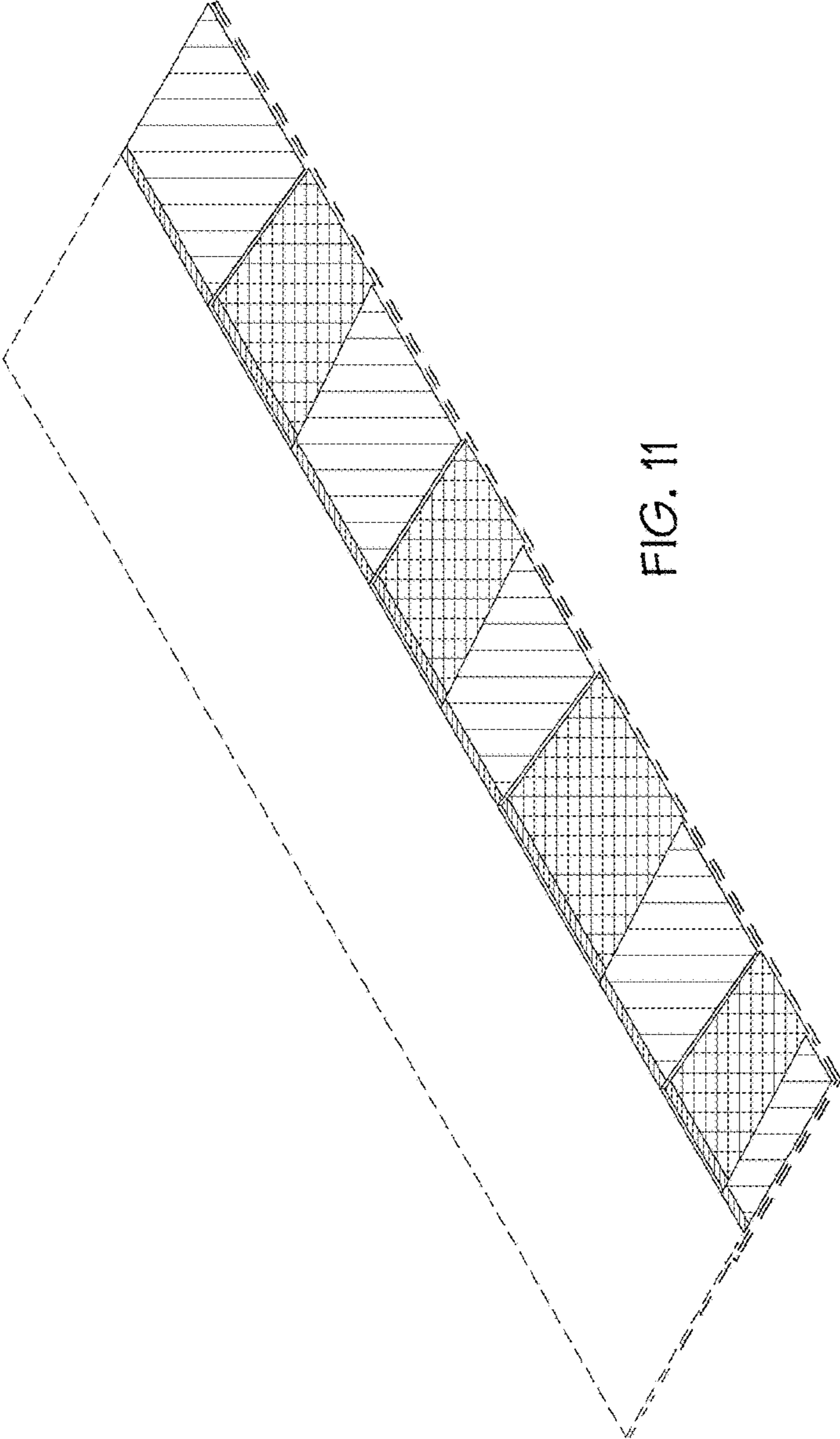


FIG. 11

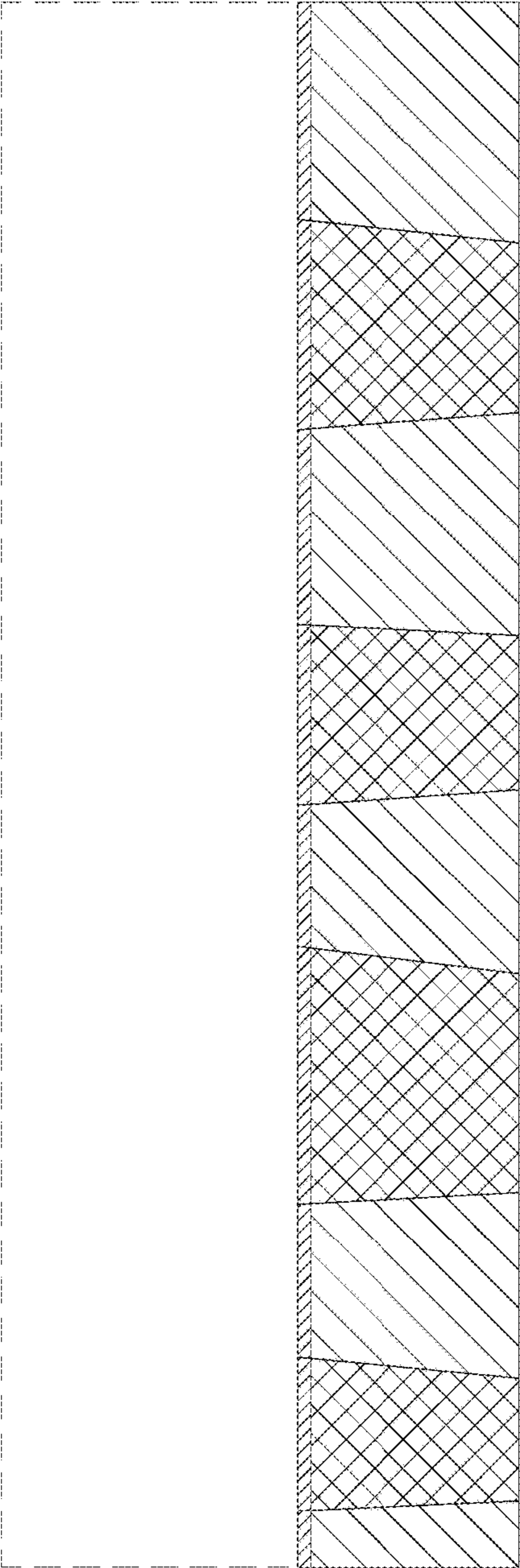


FIG. 12

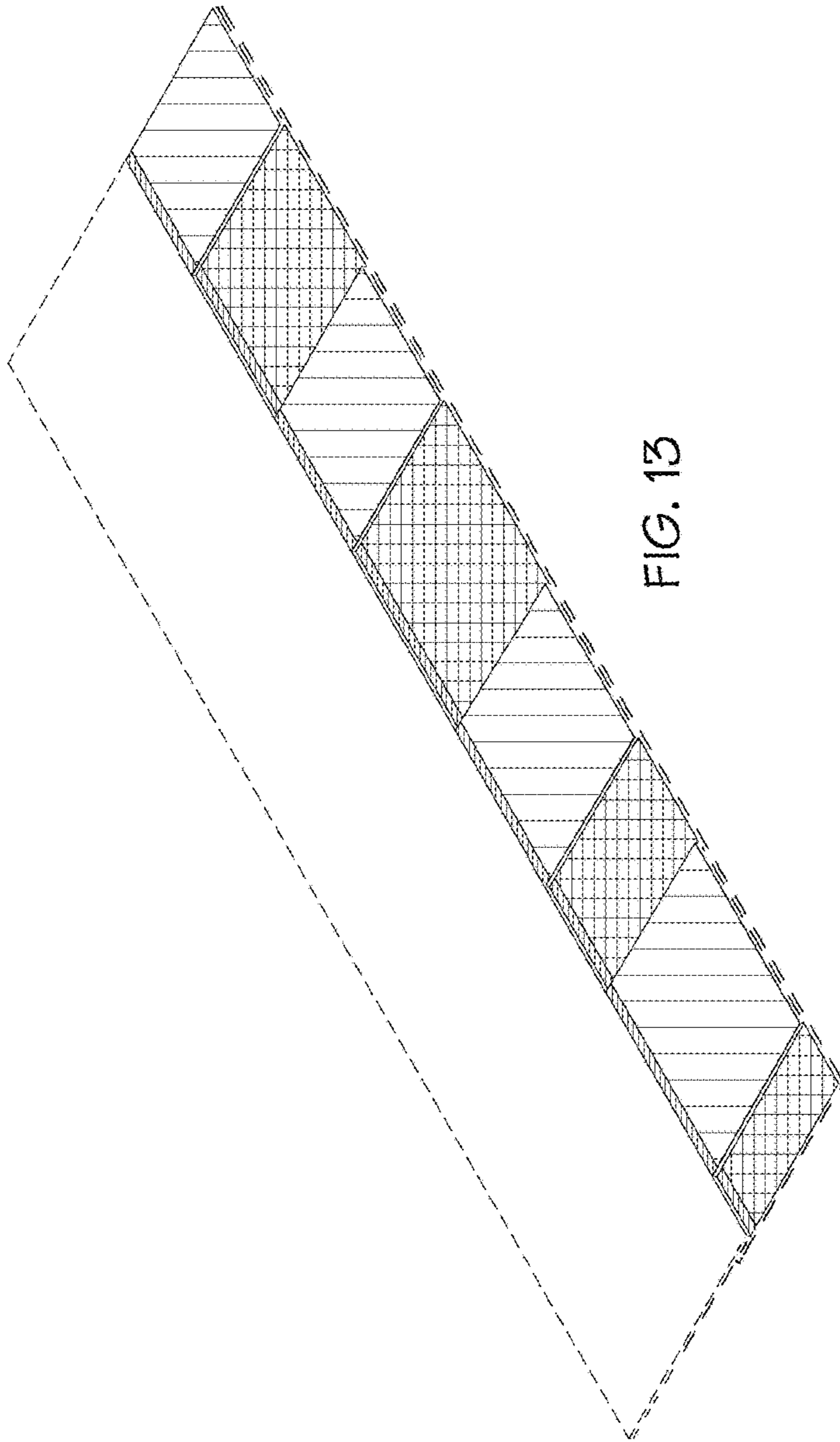


FIG. 13

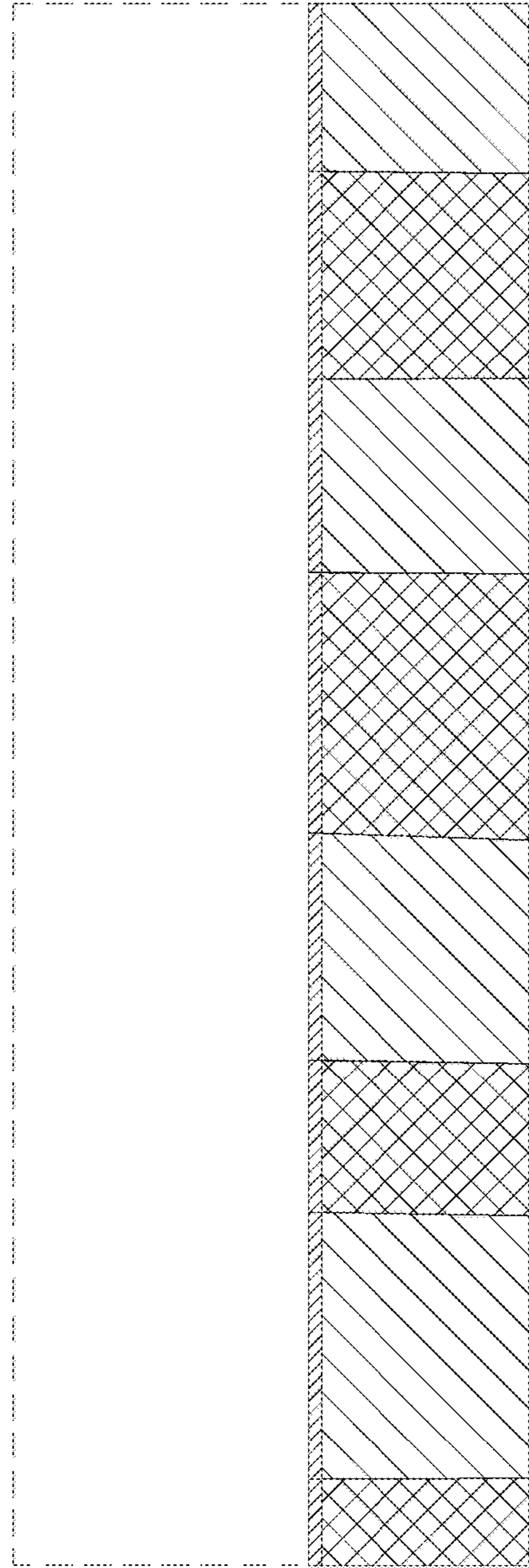


FIG. 14