

US00D869689S

(12) **United States Design Patent**
Sonneman

(10) **Patent No.:** **US D869,689 S**

(45) **Date of Patent:** **** Dec. 10, 2019**

(54) **LIGHT TRIM**

(71) Applicant: **Contemporary Visions, LLC**,
Larchmont, NY (US)

(72) Inventor: **Robert A. Sonneman**, Mamaroneck,
NY (US)

(73) Assignee: **Contemporary Visions, LLC**,
Larchmont, NY (US)

(**) Term: **15 Years**

(21) Appl. No.: **29/672,266**

(22) Filed: **Dec. 4, 2018**

(51) **LOC (12) Cl.** **26-03**

(52) **U.S. Cl.**
USPC **D25/113**

(58) **Field of Classification Search**
USPC D26/76, 80-82, 84-85, 88, 90, 93, 110,
D26/113, 118, 120, 124, 128, 131, 141,
D26/142, 149, 138
CPC F21S 2/00; F21S 4/00; F21S 4/003; F21S
4/005; F21S 4/006; F21S 4/007; F21S
4/008; F21S 6/00; F21S 8/00; F21S
8/024; F21S 8/026; F21S 8/031; F21S
8/033; F21S 8/035-8/037; F21S 8/04;
F21S 8/043; F21S 8/063

See application file for complete search history.

(56) **References Cited**

U.S. PATENT DOCUMENTS

D328,650 S * 8/1992 Jones D26/81
D425,655 S * 5/2000 Dolan D26/142

D516,235 S * 2/2006 Rashidi D26/138
D737,497 S * 8/2015 Burgess D26/113
D789,597 S * 6/2017 Wallach D26/138
D800,958 S * 10/2017 Sonneman D26/138
D801,574 S * 10/2017 Amato D26/118
D818,632 S * 5/2018 Kotovsky D26/118
D830,620 S * 10/2018 Sonneman D26/118

* cited by examiner

Primary Examiner — Brian N. Vinson

(74) *Attorney, Agent, or Firm* — Gottlieb, Rackman &
Reisman, P.C.

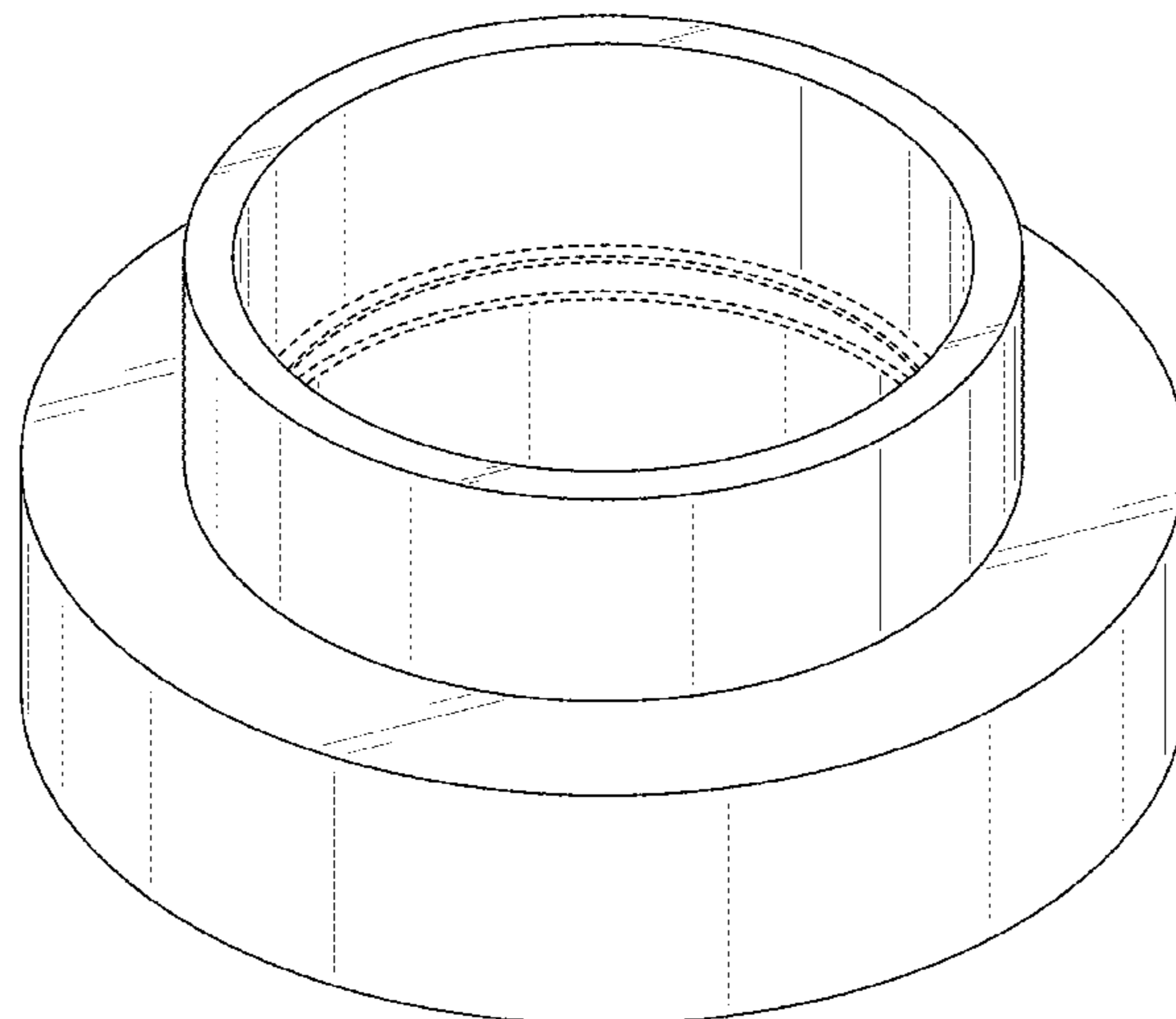
(57) **CLAIM**

The ornamental design for a light trim, as shown and described.

DESCRIPTION

FIG. 1 is a perspective view of a light trim showing my new design;
FIG. 2 is a first side elevational view thereof;
FIG. 3 is a second side elevational view thereof;
FIG. 4 is a third side elevational view thereof;
FIG. 5 is a fourth side elevational view thereof;
FIG. 6 is a top plan view thereof; and,
FIG. 7 is a bottom plan view thereof.
The broken lines shown in the drawings are included for the purpose of illustrating elements of the light trim that is attachable to a light fixture and form no part of the claimed design.

1 Claim, 7 Drawing Sheets



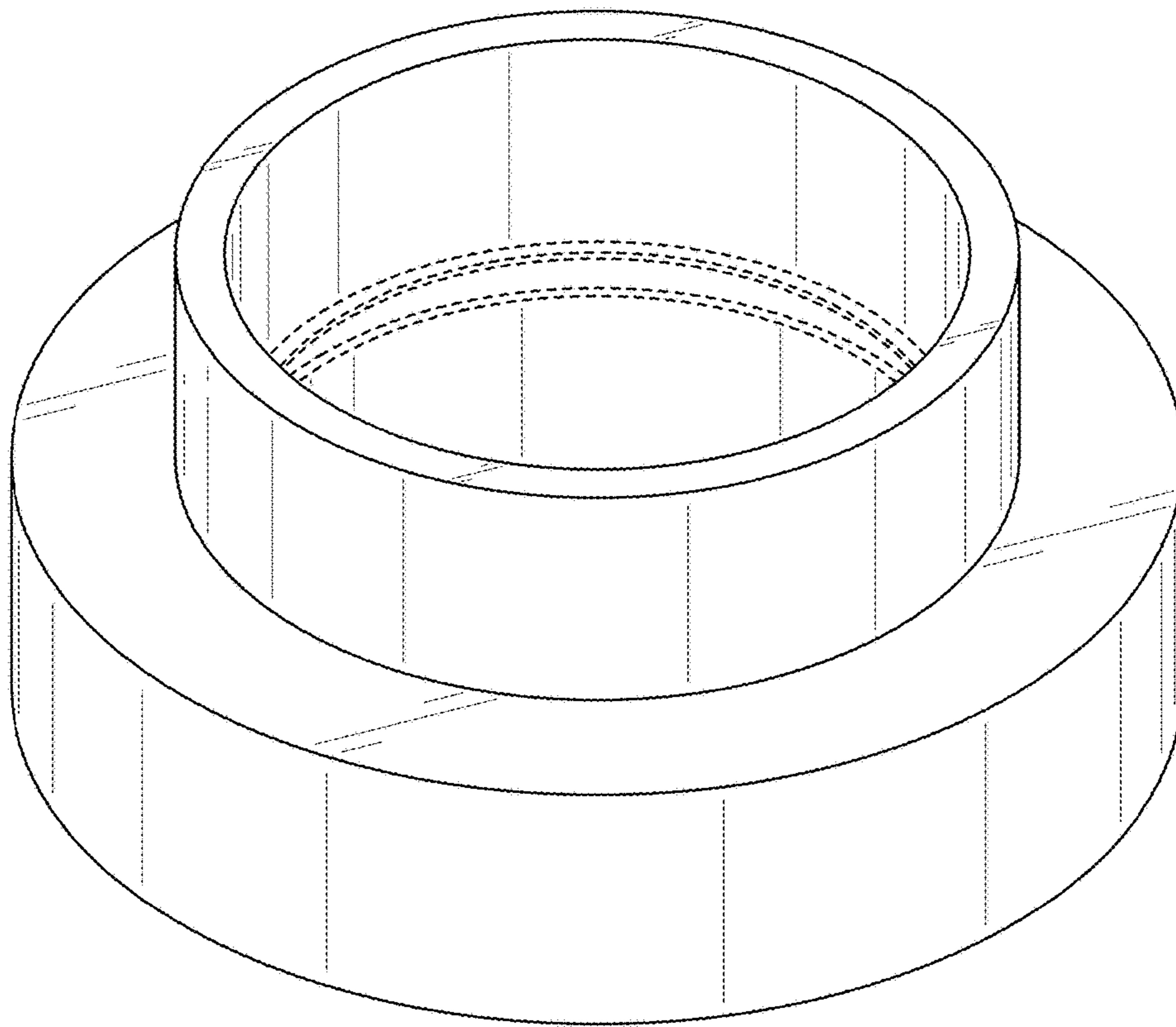


FIG. 1

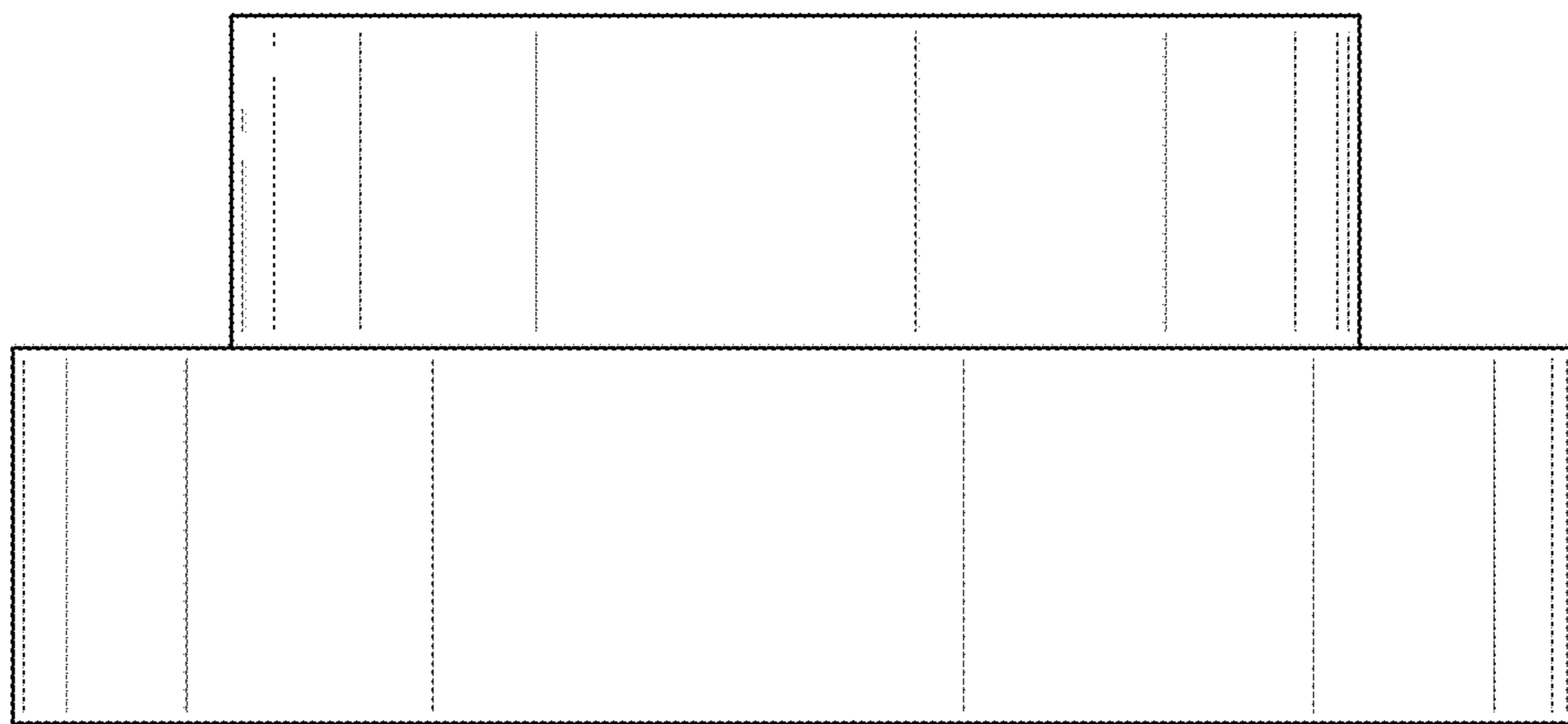


FIG. 2

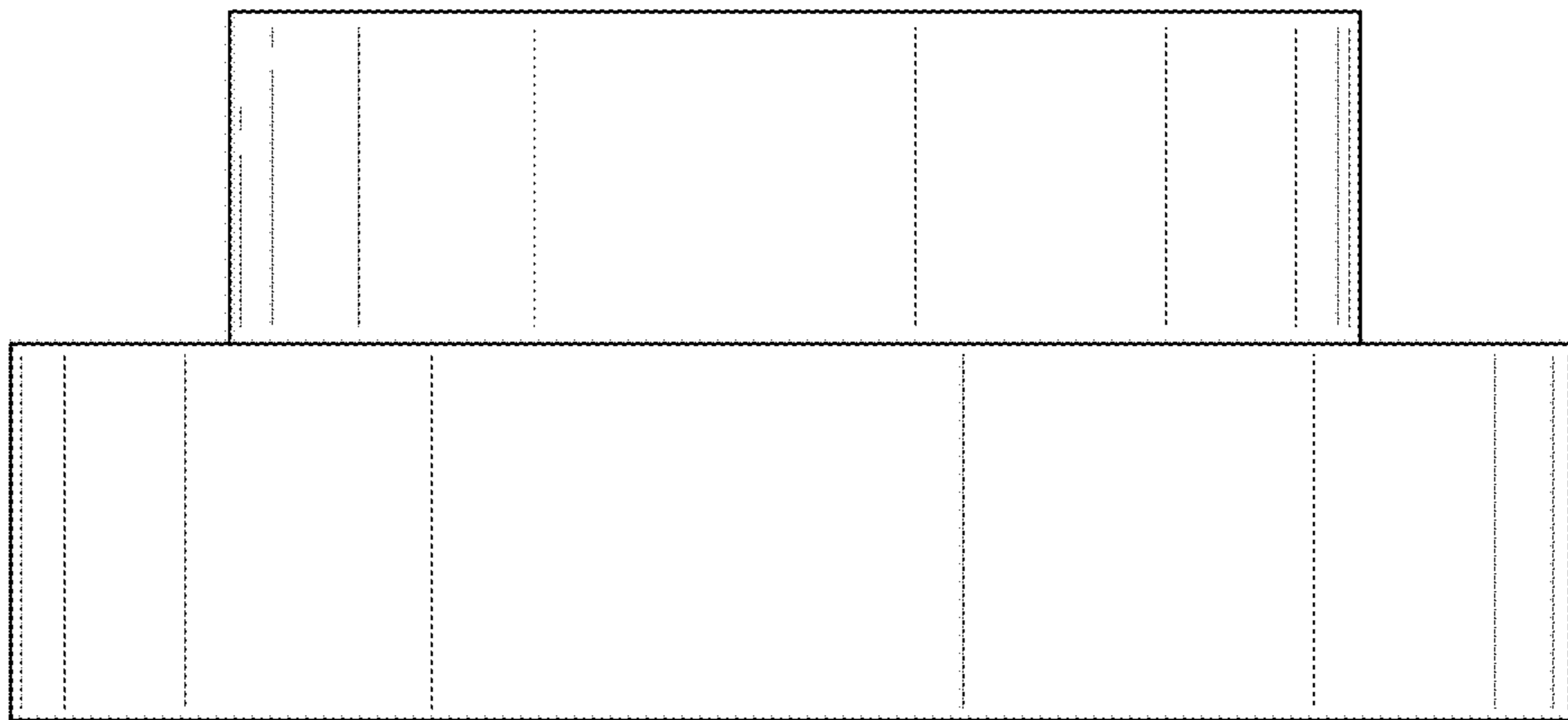


FIG. 3

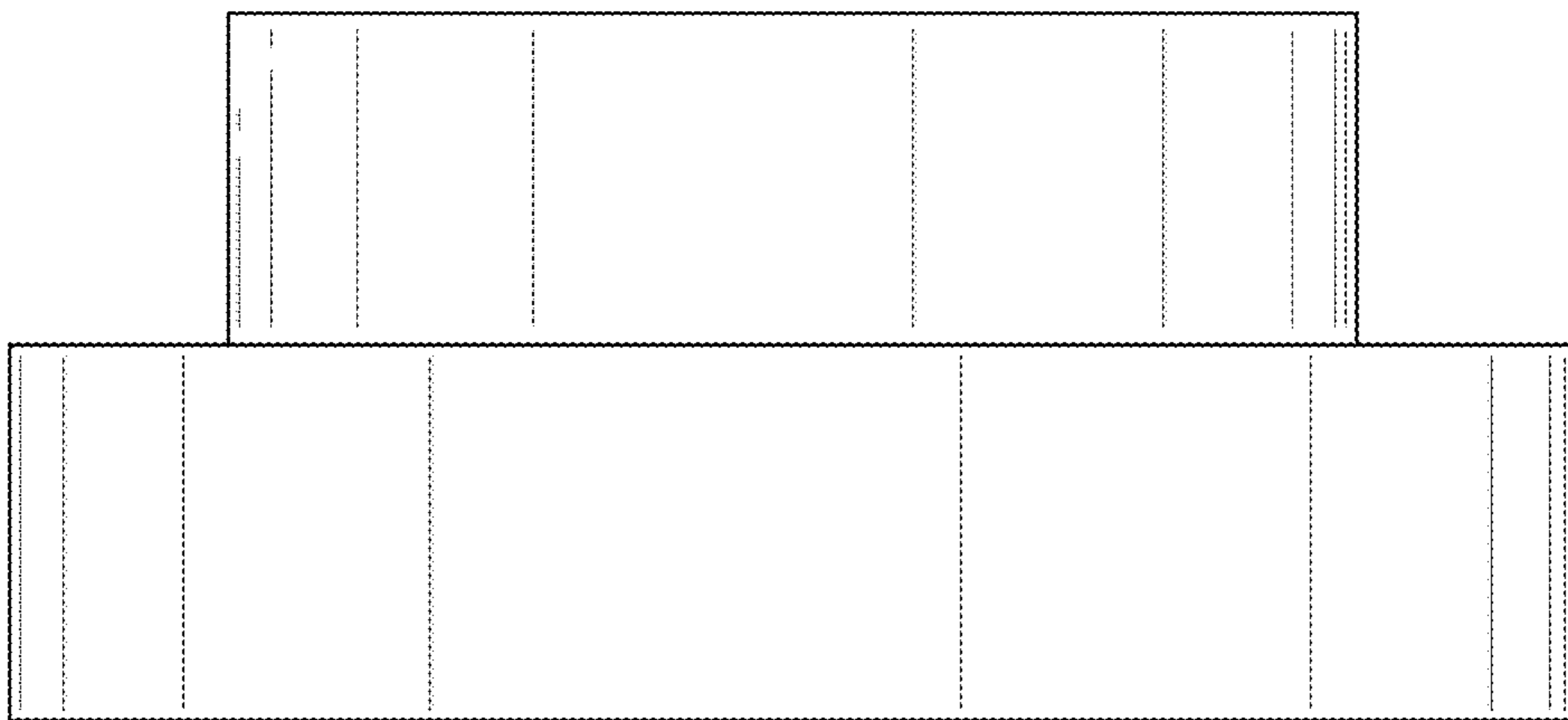


FIG. 4

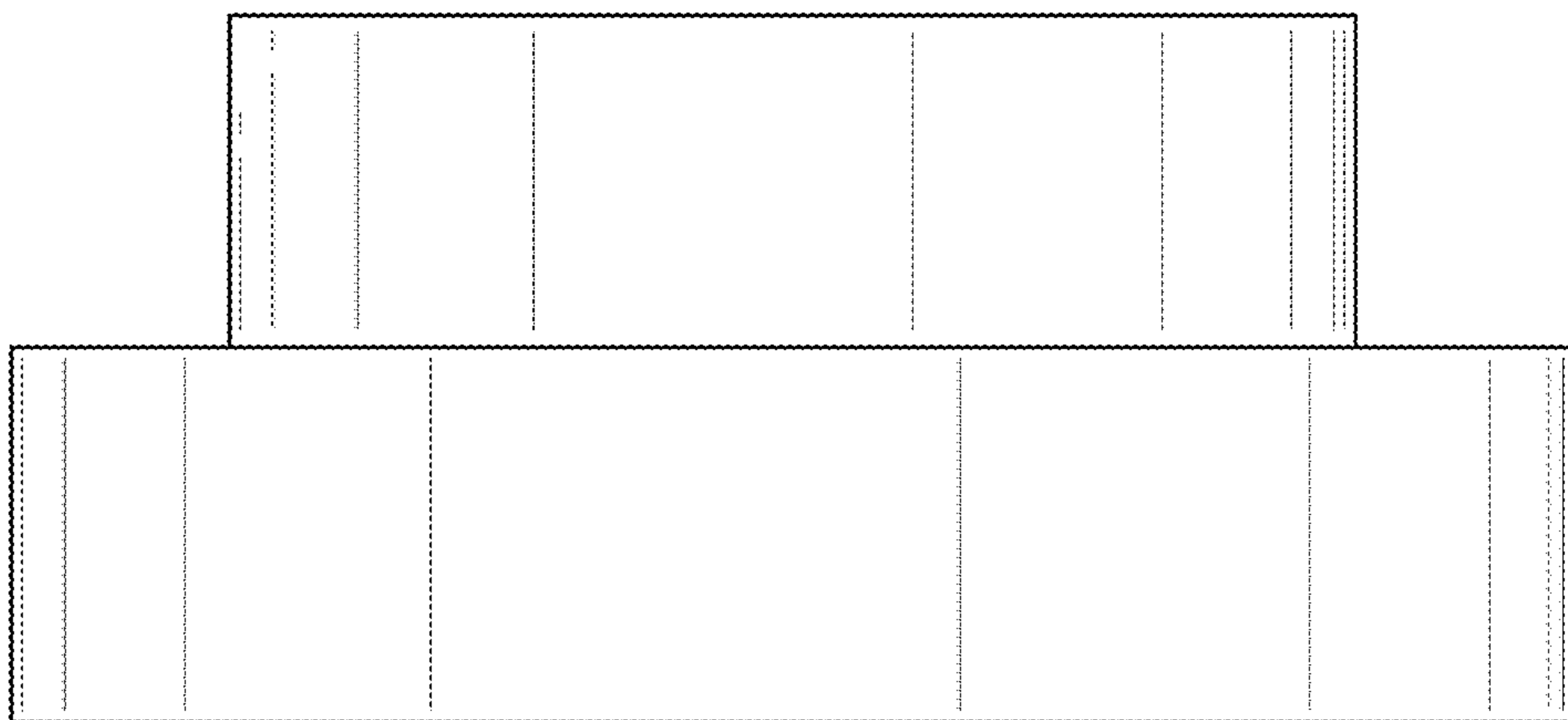


FIG. 5

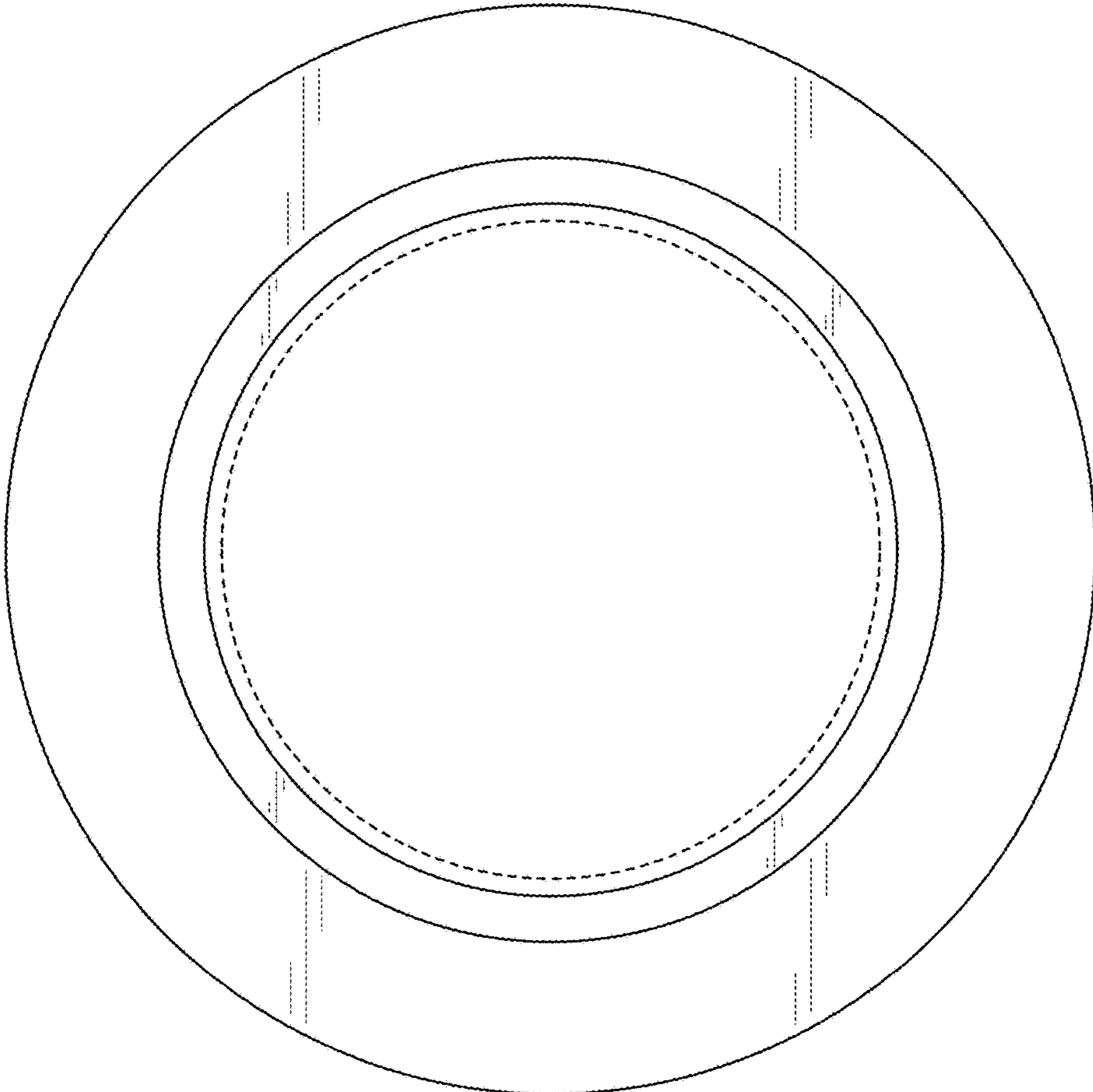


FIG. 6

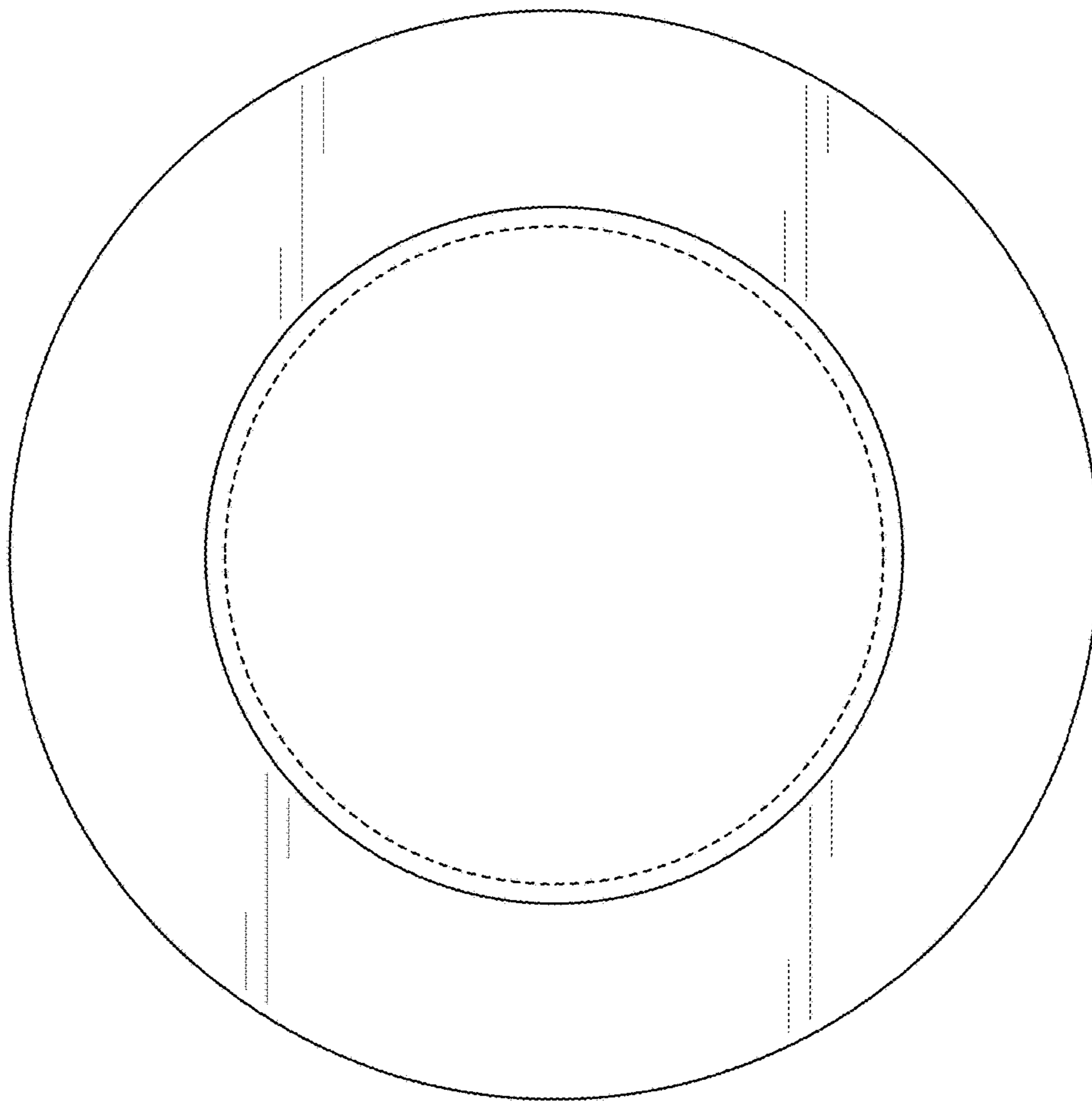


FIG. 7