



US00D869686S

(12) **United States Design Patent** (10) **Patent No.:** **US D869,686 S**
Hibiki (45) **Date of Patent:** **** Dec. 10, 2019**

(54) **PREFABRICATED SHOP**
(71) Applicant: **HIBIKI CO., LTD.**, Saitama (JP)
(72) Inventor: **Yoshiharu Hibiki**, Kawagoe (JP)
(**) Term: **15 Years**
(21) Appl. No.: **35/506,059**
(22) Filed: **May 25, 2018**

D500,364 S * 12/2004 Welder D25/16
D545,976 S * 7/2007 Jackson D25/16
D550,855 S * 9/2007 Tonella D25/16
D556,340 S * 11/2007 Jackson D25/16
D556,341 S * 11/2007 Jackson D25/16
D559,403 S * 1/2008 Vils D25/3
D595,425 S * 6/2009 Jackson D25/16
D655,018 S * 2/2012 MacDonald D25/1
D700,356 S * 2/2014 Svensson D25/32
D812,774 S * 3/2018 Bedford D25/56
D828,927 S * 9/2018 Solie D25/33
D831,225 S * 10/2018 Ishizawa D25/33
D844,354 S * 4/2019 Illy D6/699

(80) **Hague Agreement Data**

Int. Filing Date: **May 25, 2018**
Int. Reg. No.: **DM/103577**
Int. Reg. Date: **May 25, 2018**
Int. Reg. Pub. Date: **Nov. 16, 2018**

* cited by examiner

Primary Examiner — George D. Kirschbaum
Assistant Examiner — Samantha Q Lawrence
(74) *Attorney, Agent, or Firm* — SoCal IP Law Group
LLP; Steven C. Sereboff

(30) **Foreign Application Priority Data**

Nov. 28, 2017 (JP) 2017-026472

(51) **LOC (12) Cl.** **25-03**

(52) **U.S. Cl.**
USPC **D25/32**

(58) **Field of Classification Search**

USPC D25/1, 3, 4, 12, 15, 16, 17, 18, 22, 23,
D25/26, 29, 30, 32, 33, 56, 61; D21/506,
D21/509, 511, 834, 837, 838; 52/79.1;
D6/663, 699, 671
CPC .. E04H 1/102; E04H 9/14; E04H 9/16; E04H
15/001; E04H 15/008; E04H 2001/1283;
E04H 9/12
See application file for complete search history.

(56) **References Cited**

U.S. PATENT DOCUMENTS

D299,891 S * 2/1989 Belszek D25/1
D382,975 S * 8/1997 Bolton D25/16

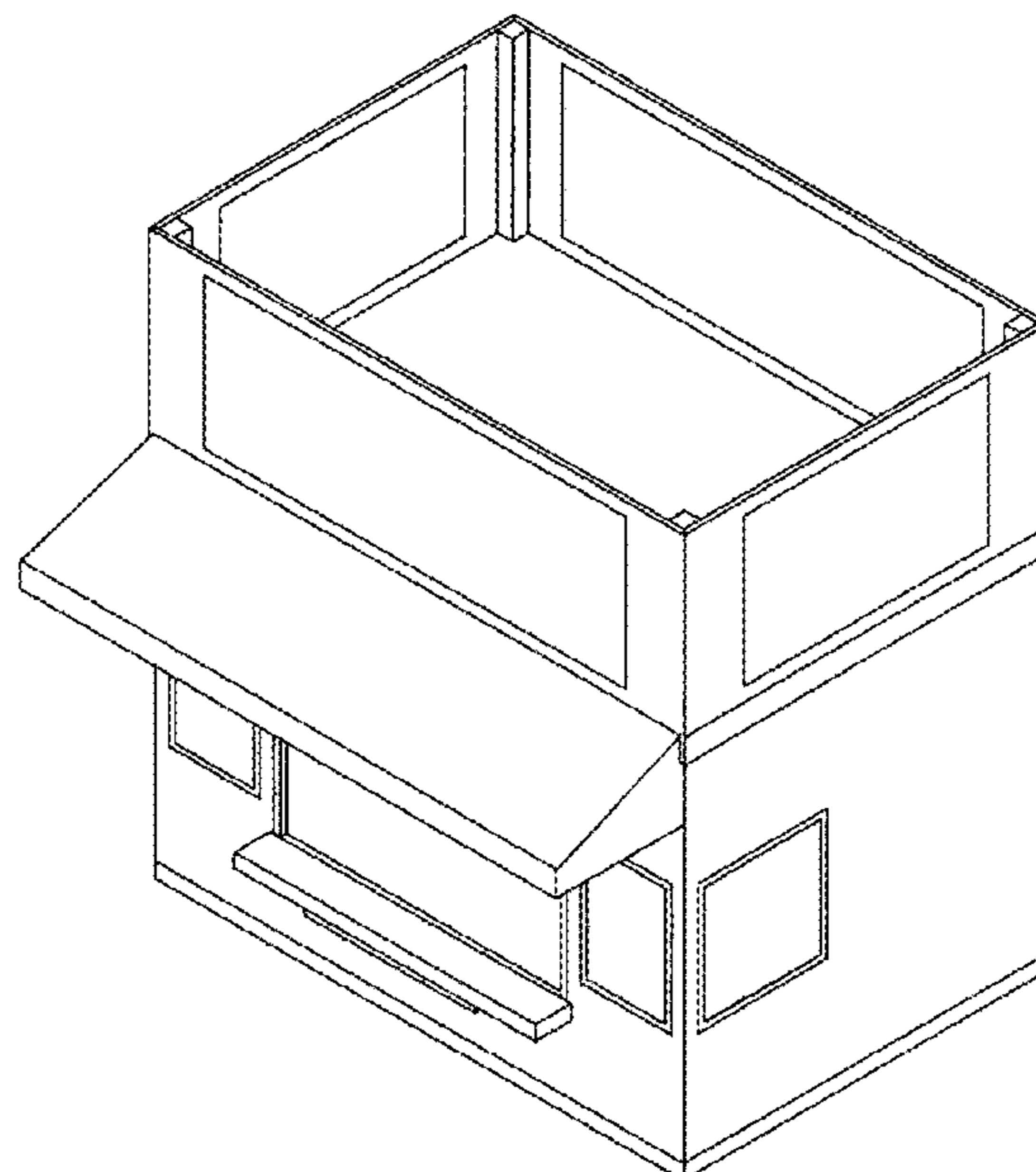
(57) **CLAIM**

The ornamental design for prefabricated shop, as shown and described.

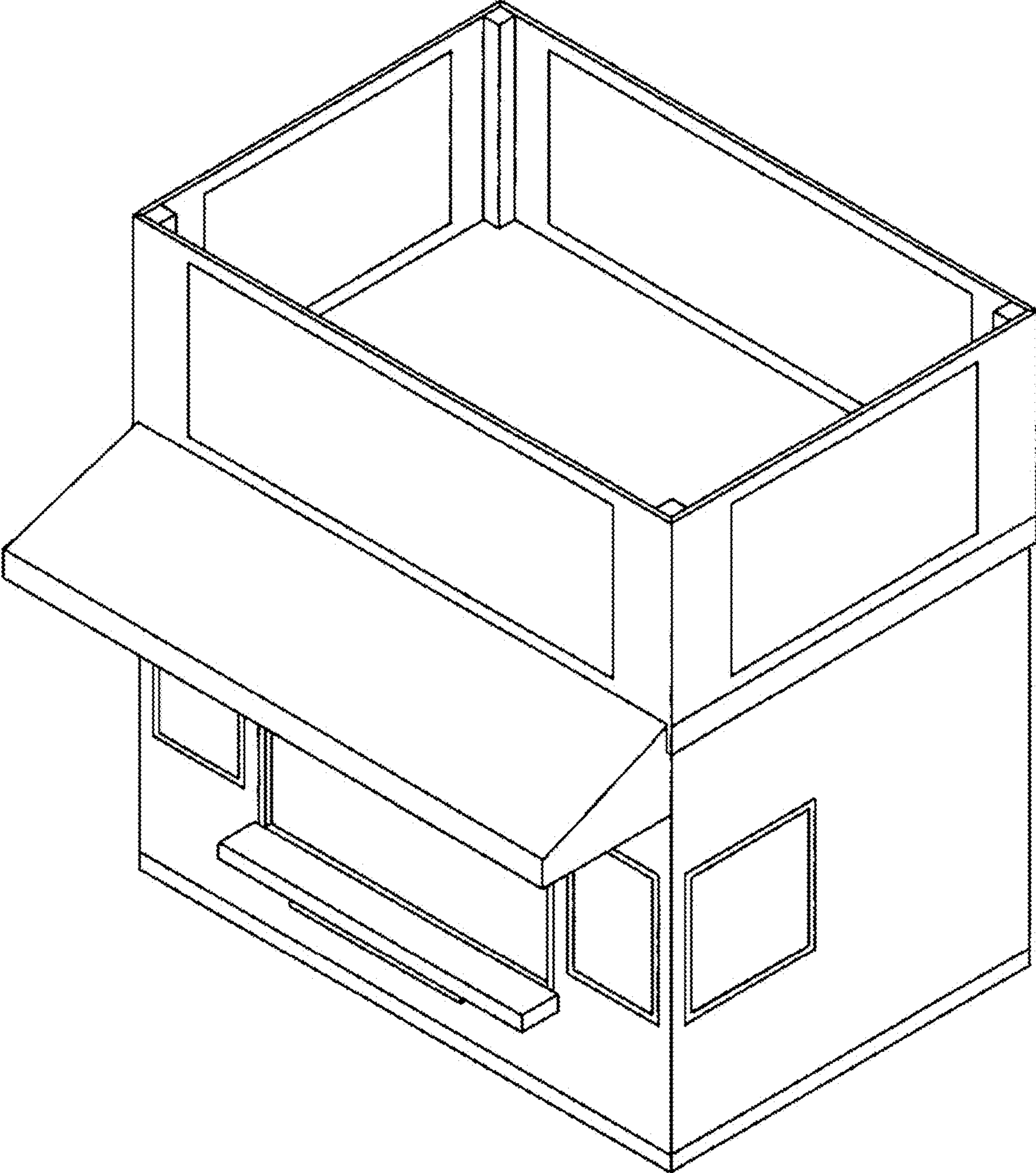
DESCRIPTION

1. Prefabricated shop
Figure 1.1 is a perspective view of a prefabricated shop;
Figure 1.2 is another perspective view thereof;
Figure 1.3 is a front view thereof;
Figure 1.4 is a back view thereof; and
Figure 1.5 is a top view thereof;
Figure 1.6 is a bottom view thereof;
Figure 1.7 is a left view thereof; and
Figure 1.8 is a right view thereof.

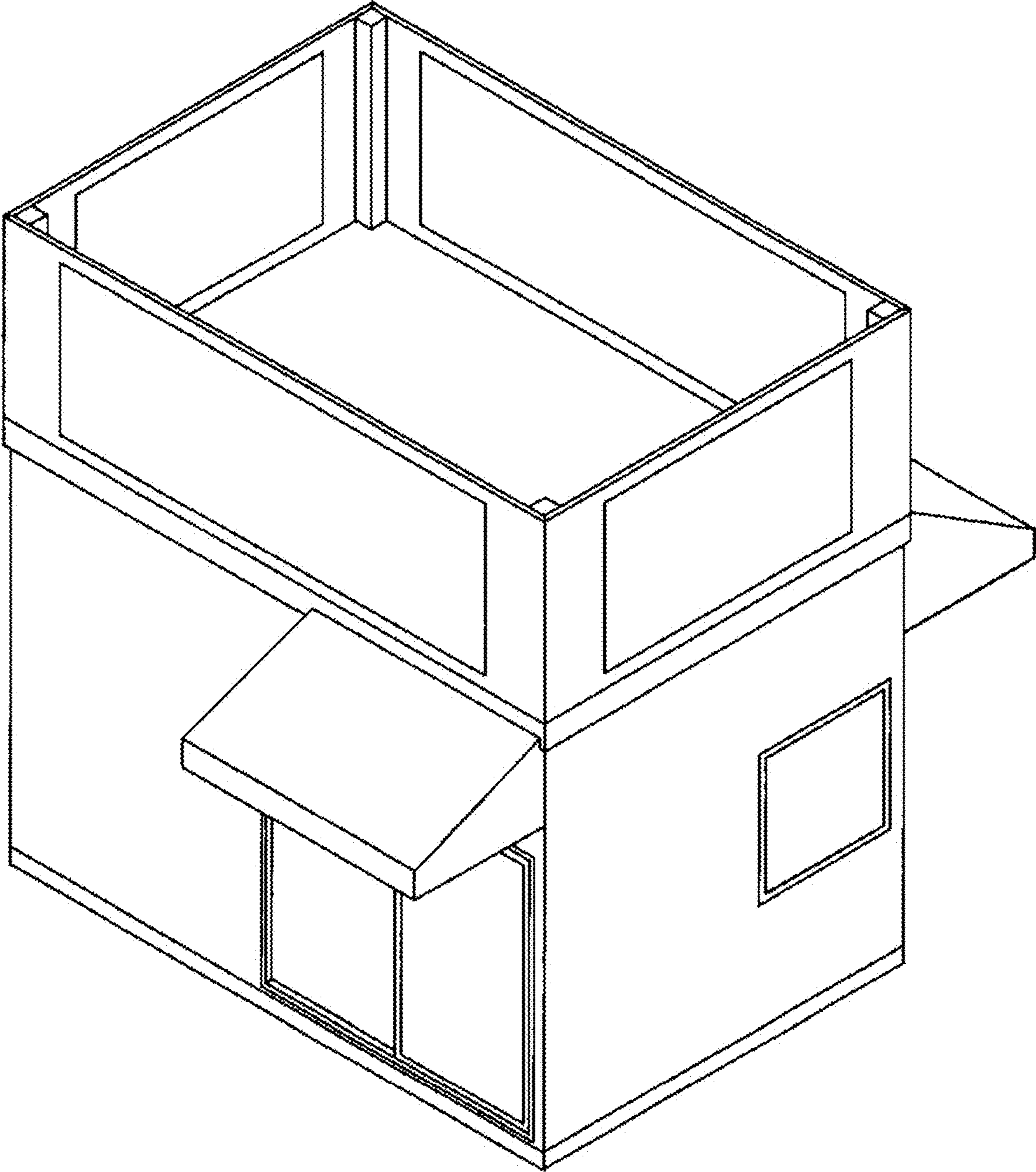
1 Claim, 8 Drawing Sheets



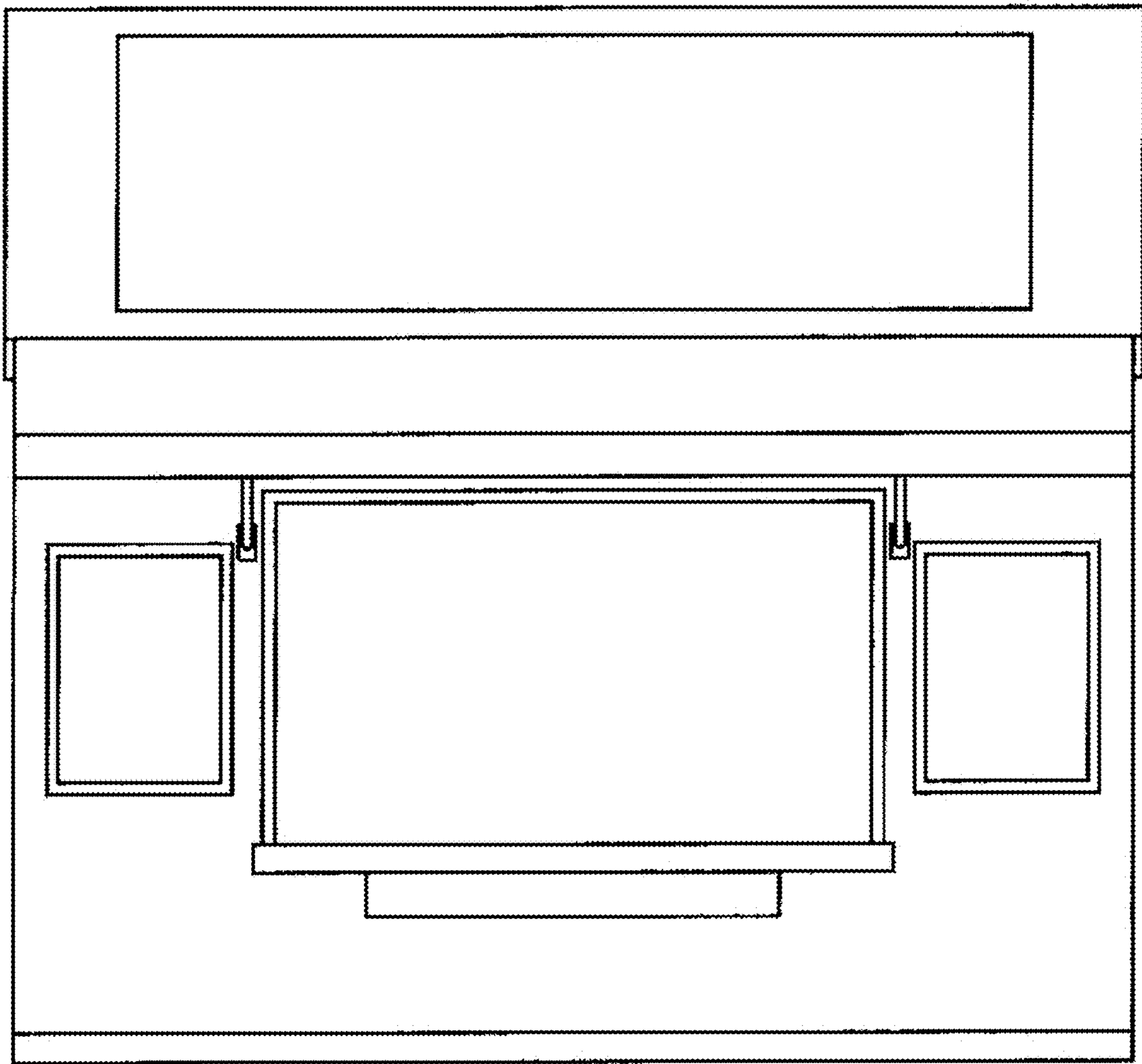
1.1



1.2



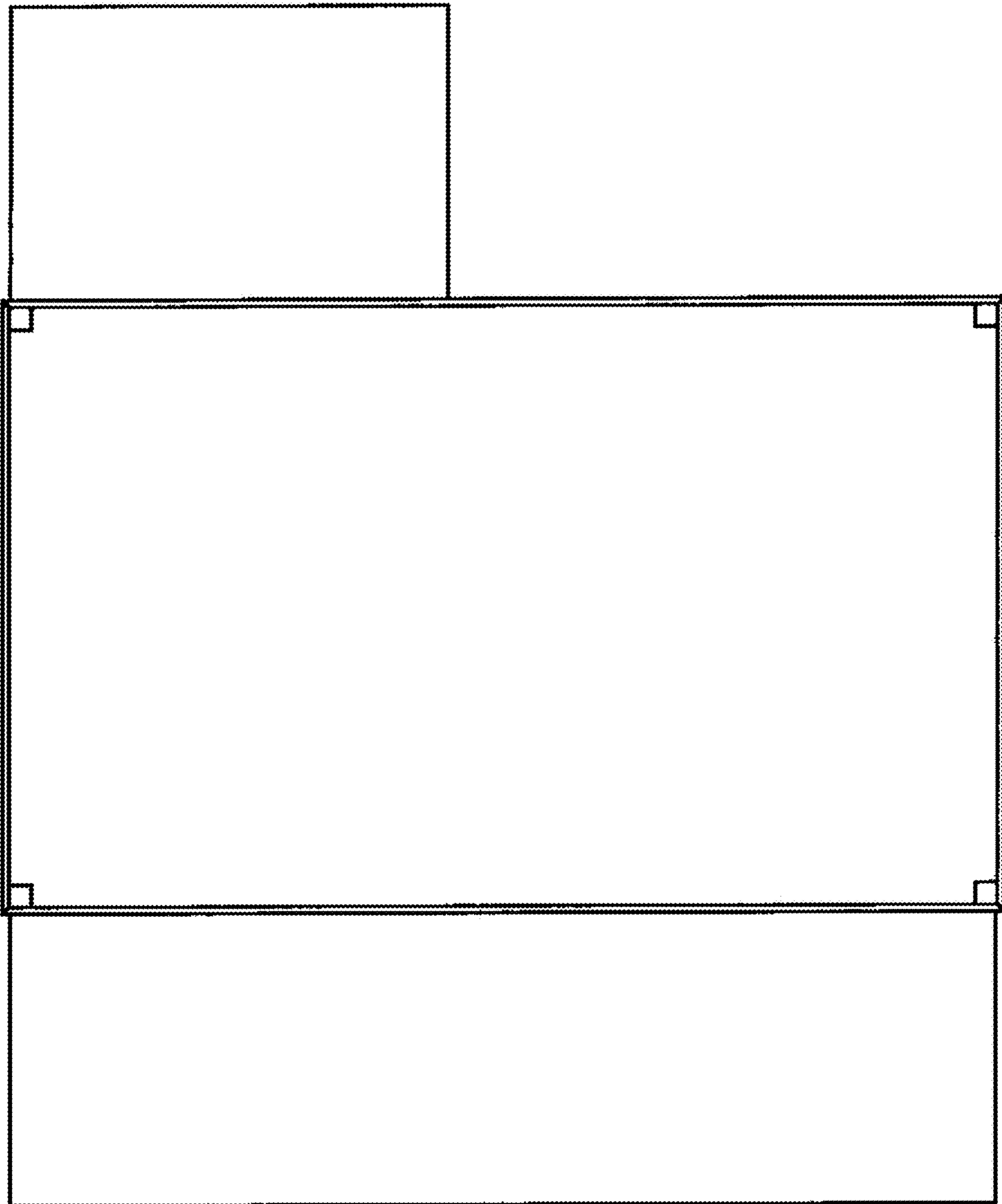
1.3



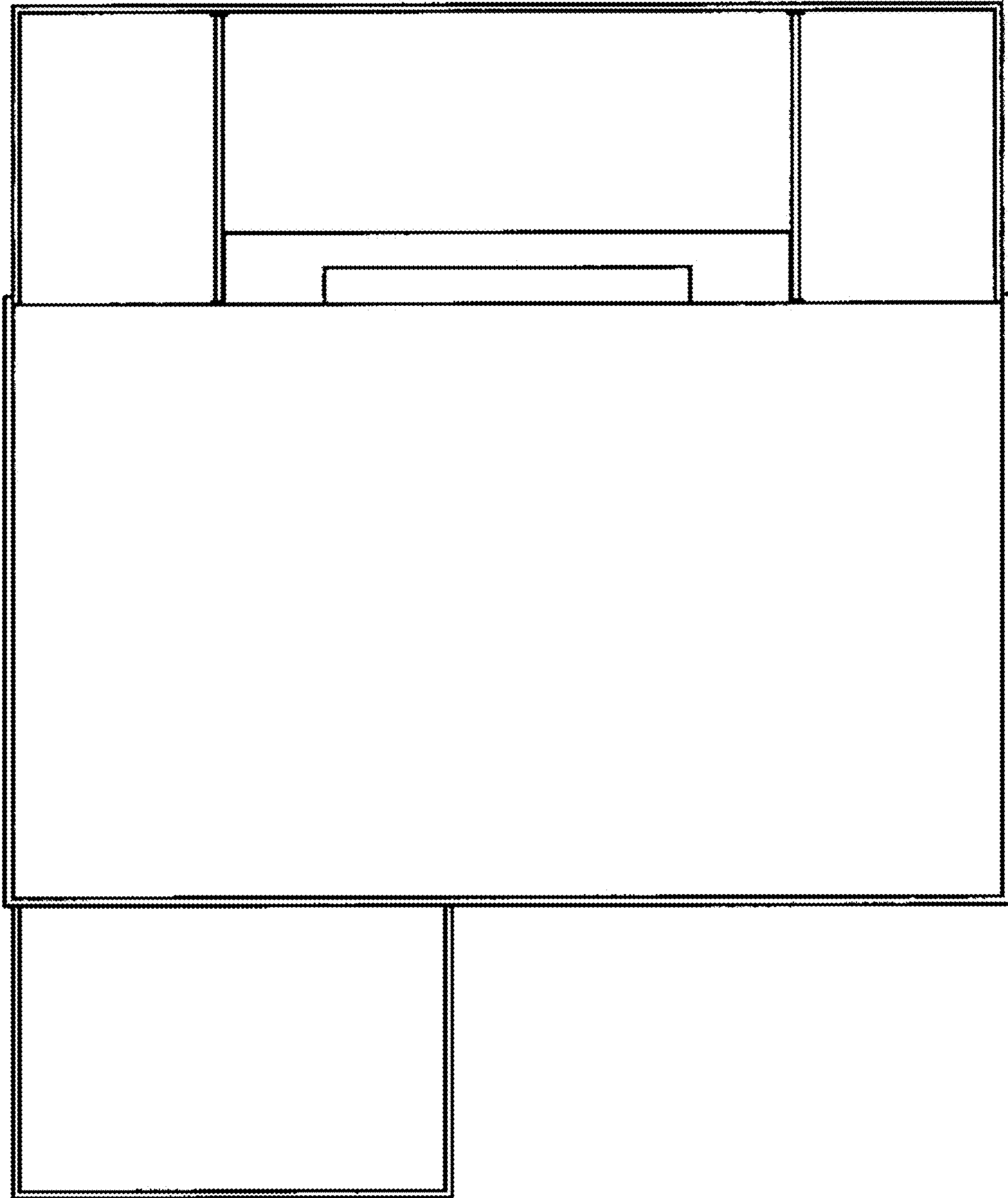
1.4



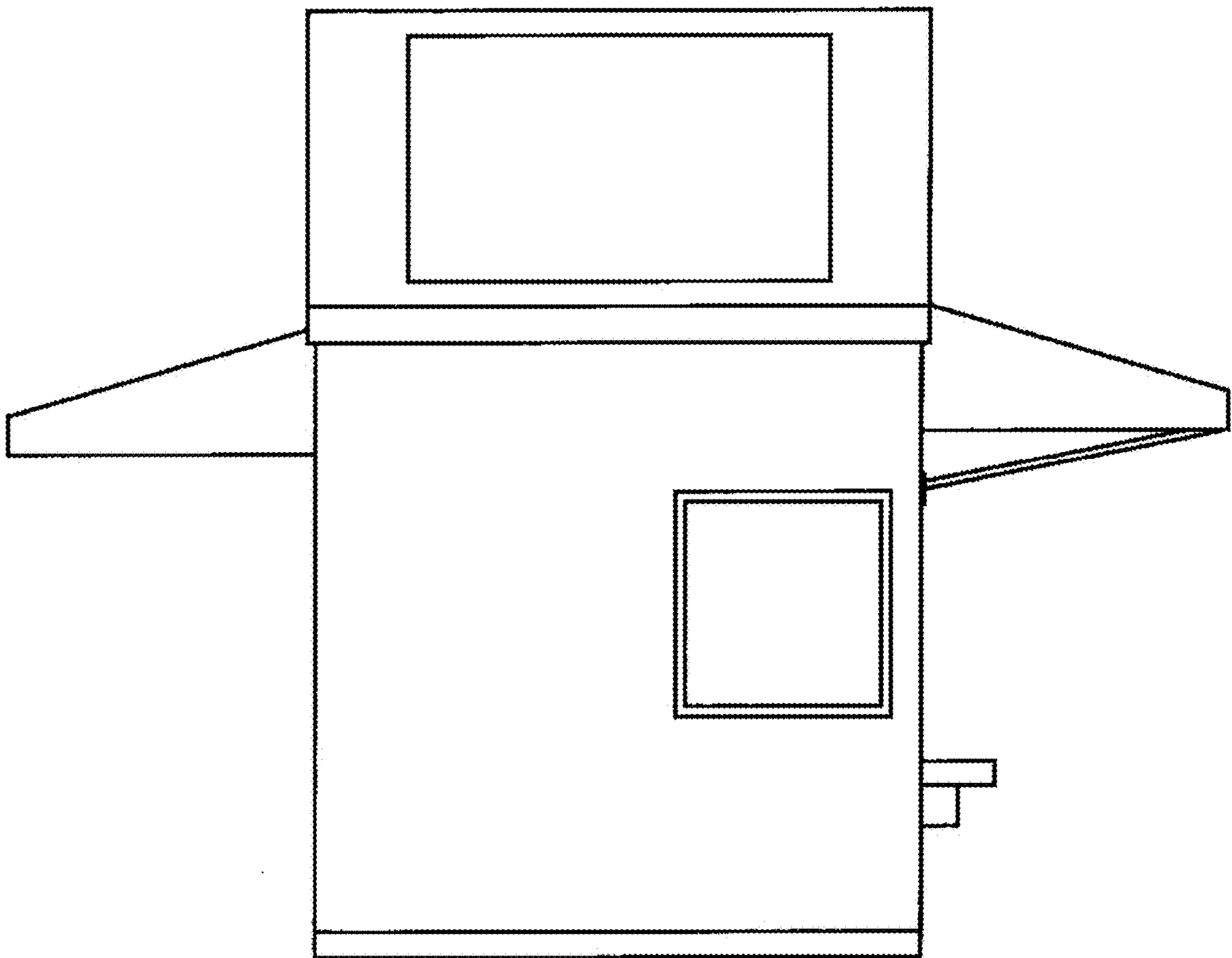
1.5



1.6



1.7



1.8

