

US00D869682S

(12) **United States Design Patent**
Ho et al.

(10) **Patent No.:** **US D869,682 S**

(45) **Date of Patent:** **** Dec. 10, 2019**

(54) **DUAL-CARTRIDGE DISPENSER FOR PASTE**

(71) Applicant: **Phillip Phung-I Ho**, Santa Barbara, CA (US)

(72) Inventors: **Phillip Phung-I Ho**, Santa Barbara, CA (US); **Chieh-Yu Cheng**, New Taipei (TW); **Chu-Chen Wang**, New Taipei (TW); **Chung-Chieh Lee**, New Taipei (TW)

(73) Assignee: **Phillip Phung-I Ho**, Santa Barbara, CA (US)

(**) Term: **15 Years**

(21) Appl. No.: **29/589,382**

(22) Filed: **Dec. 30, 2016**

(51) **LOC (12) Cl.** **24-99**

(52) **U.S. Cl.**
USPC **D24/231**

(58) **Field of Classification Search**
USPC D24/231, 162, 108, 110.1, 129, 232, 128
CPC D06F 87/00; A61B 6/481
See application file for complete search history.

(56) **References Cited**

U.S. PATENT DOCUMENTS

- 2,258,746 A * 10/1941 Dickman D06F 87/00
122/39
- D220,267 S * 3/1971 Gemmill D24/232
- 4,006,736 A * 2/1977 Kranys A61B 6/481
128/DIG. 1
- D354,128 S * 1/1995 Rinehart D24/110.1

- D381,421 S * 7/1997 Casica D24/128
- D383,837 S * 9/1997 Cotter D24/108
- D387,157 S * 12/1997 Cotter D24/108
- D708,749 S * 7/2014 Appling D24/162
- D713,524 S * 9/2014 Aguirre D24/129

* cited by examiner

Primary Examiner — Rhea Shields

(74) *Attorney, Agent, or Firm* — WPAT, PC

(57) **CLAIM**

The ornamental design for a dual-cartridge dispenser for paste, as shown and described.

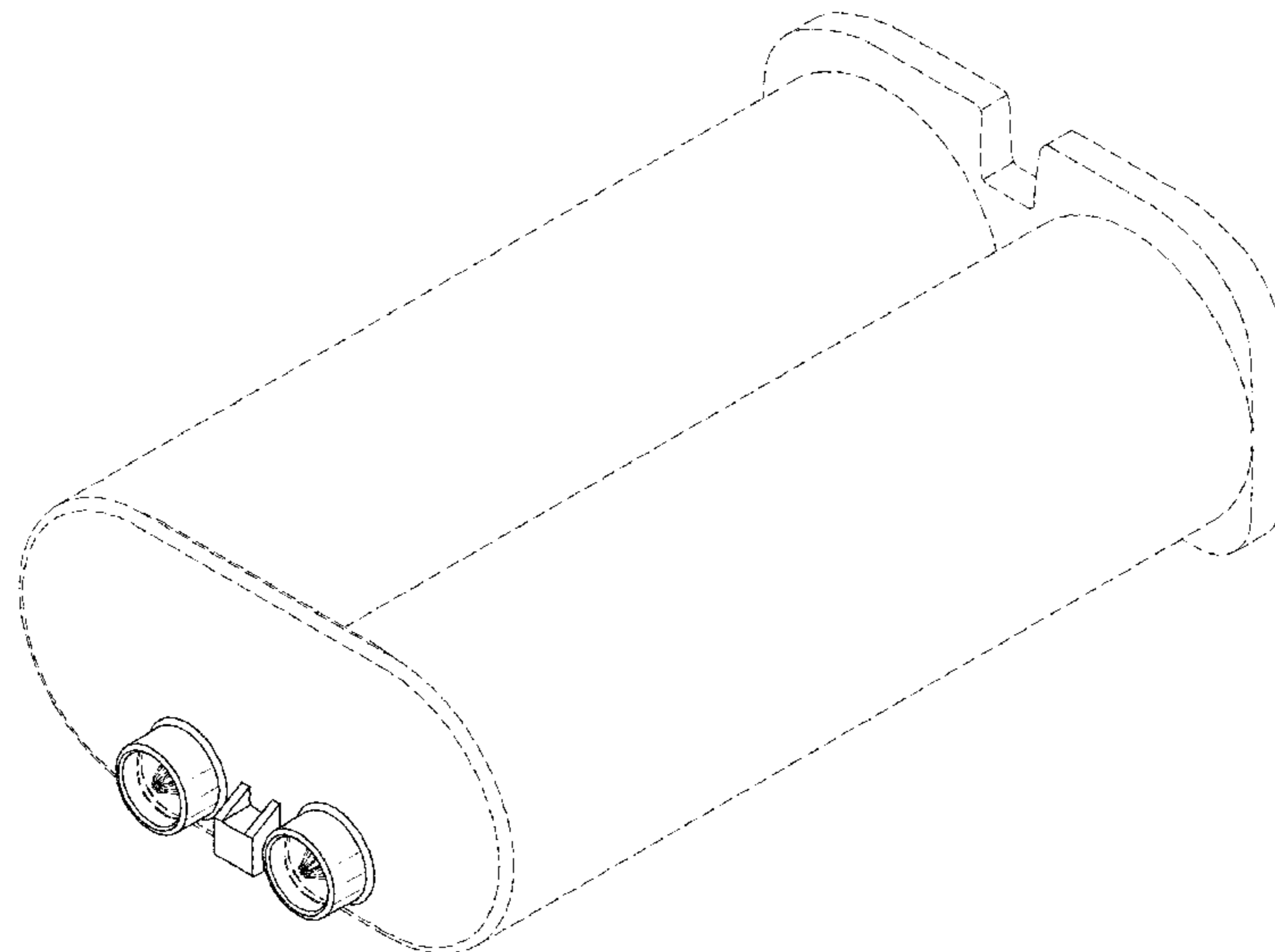
DESCRIPTION

FIG. 1 is a perspective view of a dual-cartridge dispenser for paste showing our new design; FIG. 2 is a front view thereof; FIG. 3 is a rear view thereof; FIG. 4 is a left view thereof; FIG. 5 is a right view thereof; FIG. 6 is a top side view thereof; FIG. 7 is a bottom view thereof; FIG. 8 is another perspective view thereof; and, FIG. 9 is an enlarged perspective view thereof showing a lower-middle part according to Circular Area circumscribed within FIG. 8.

In the drawings, the evenly spaced broken lines are for the purpose of illustrating environment only and form no part of the claimed design.

In the drawings, the line-dot-line broken line is for the purpose of circumscribing the Circular Area on FIG. 8 only and forms no part of the claimed design.

1 Claim, 9 Drawing Sheets



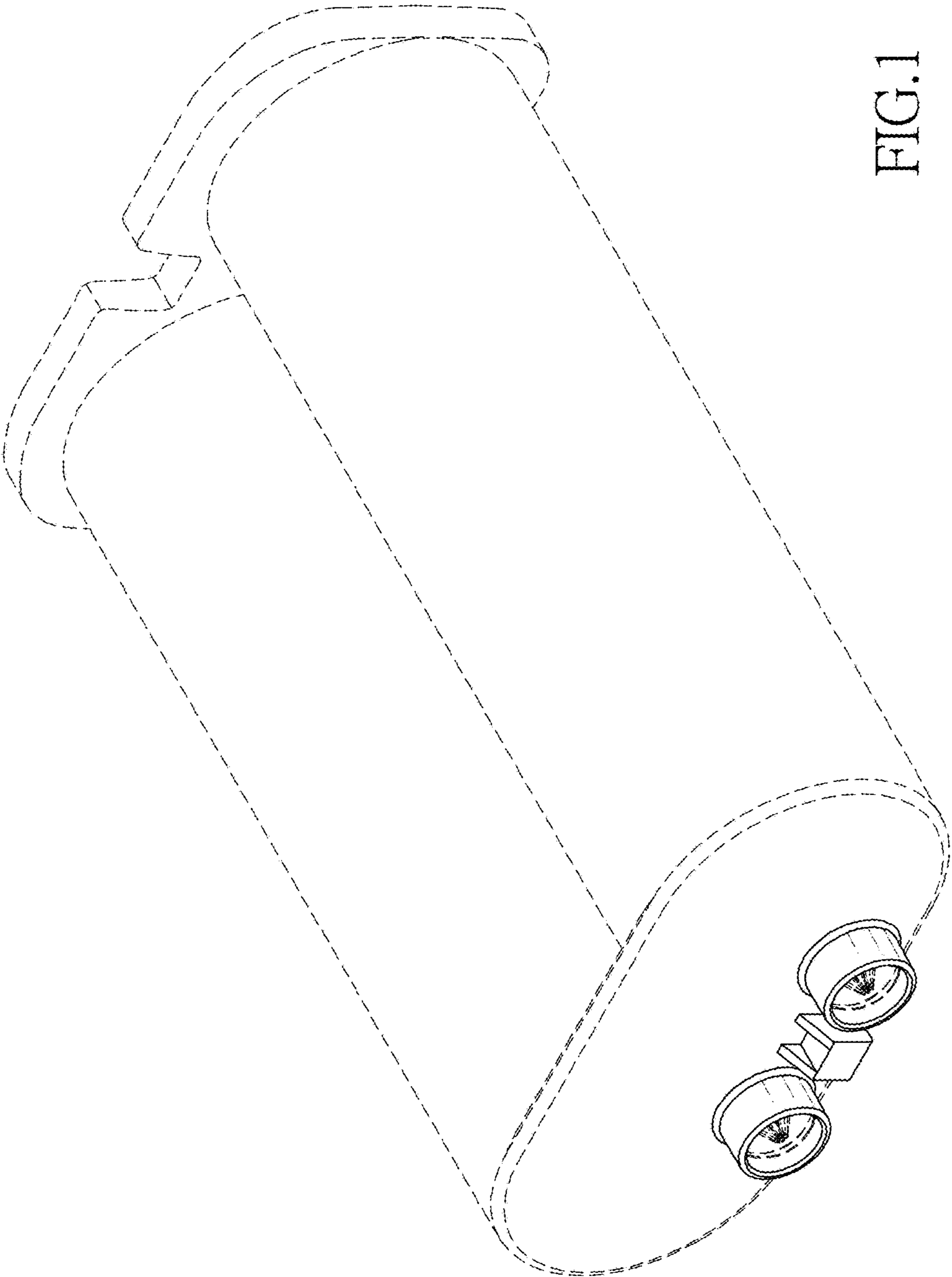


FIG.1

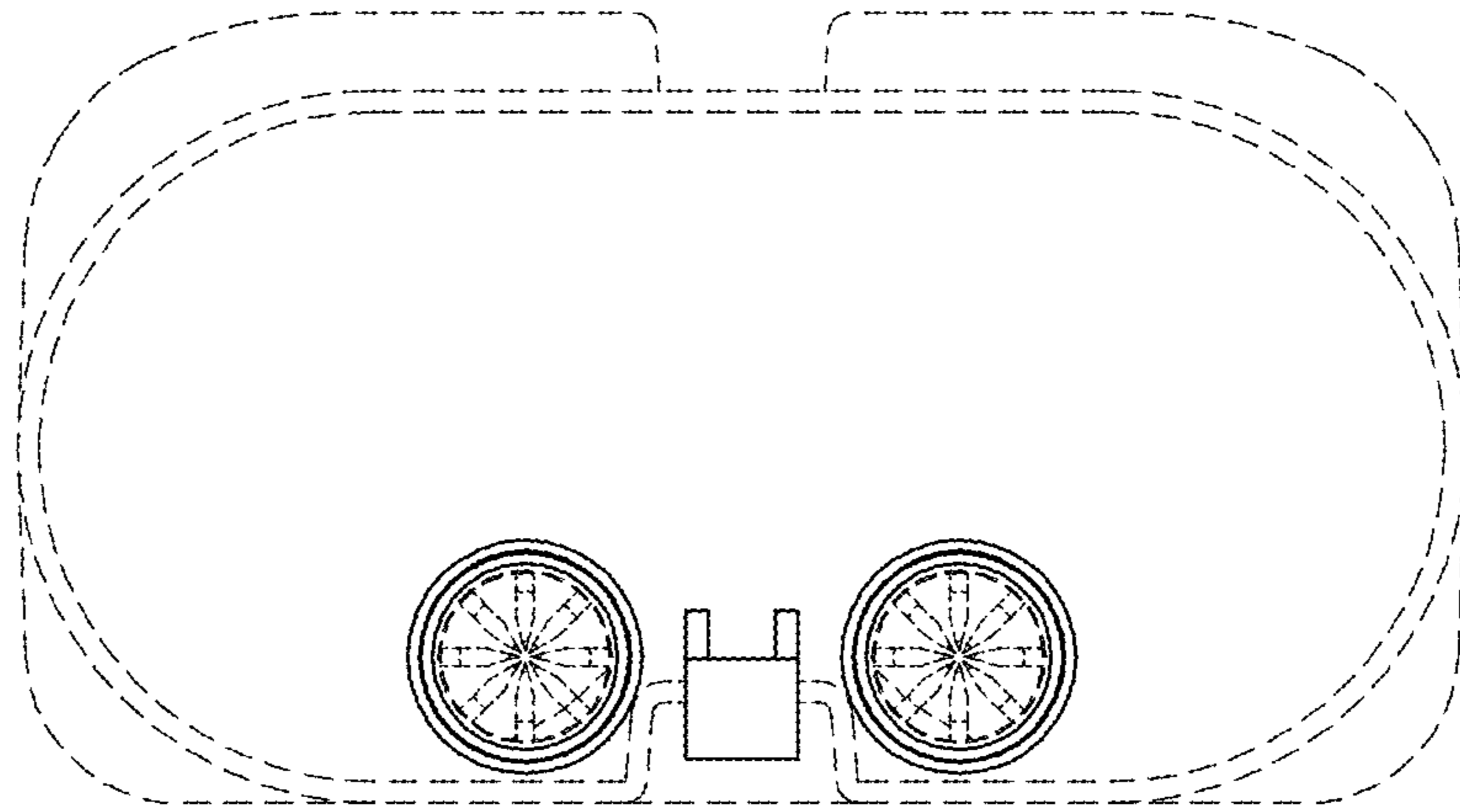


FIG.2

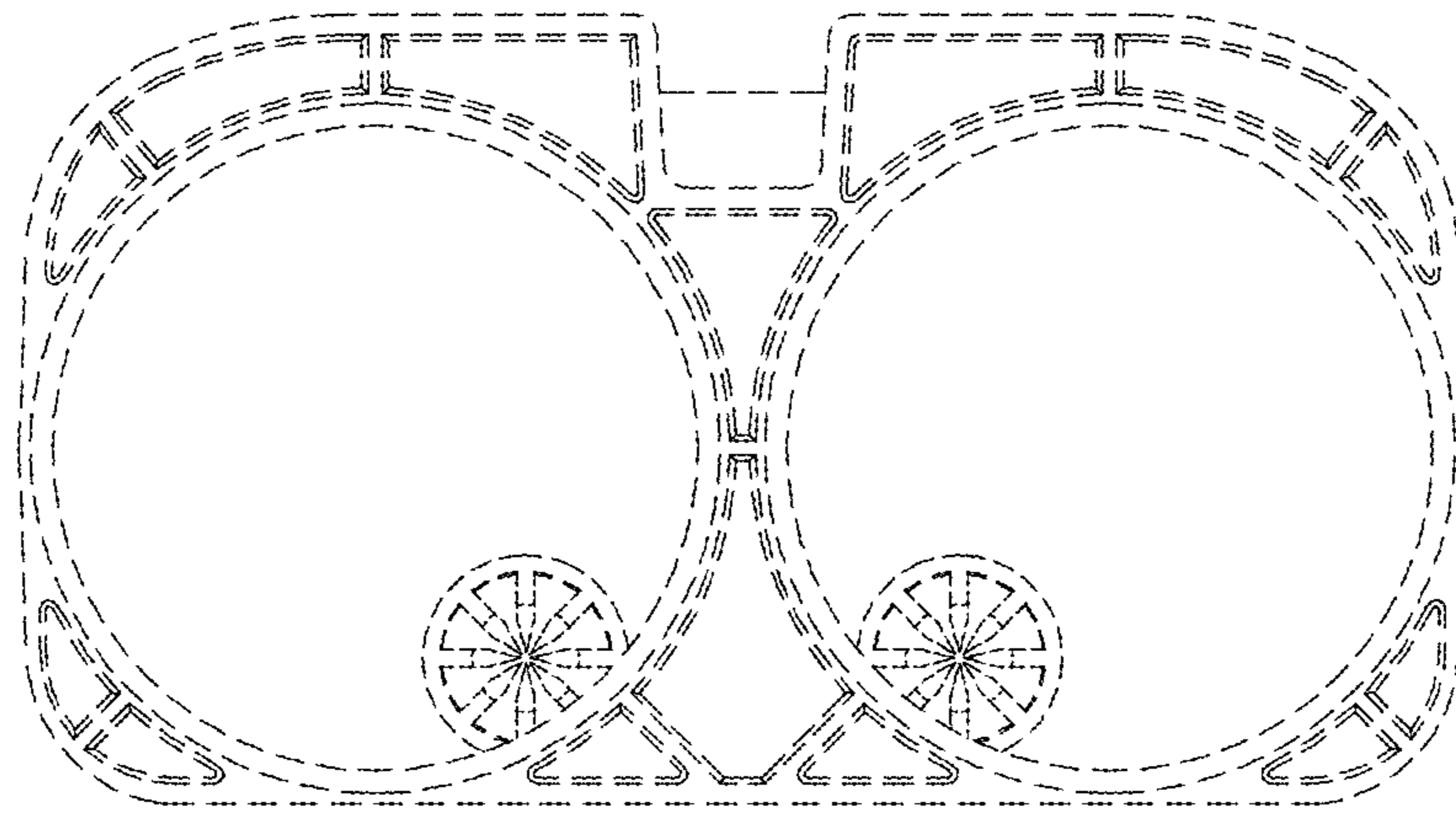


FIG.3

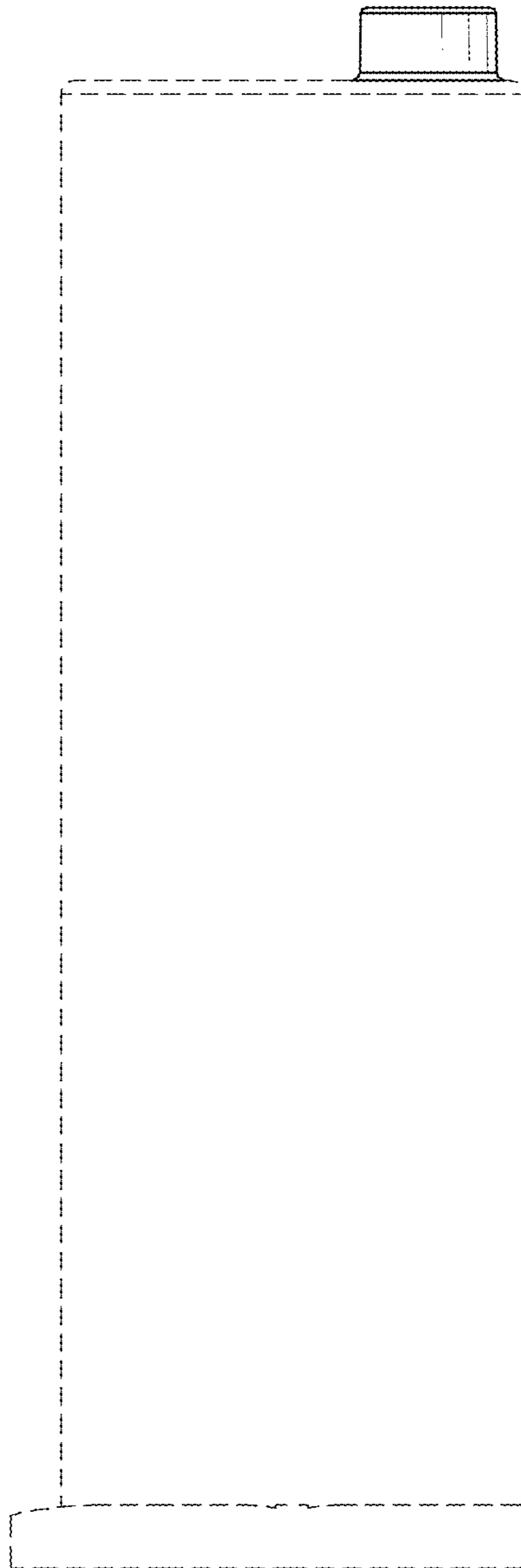


FIG. 4

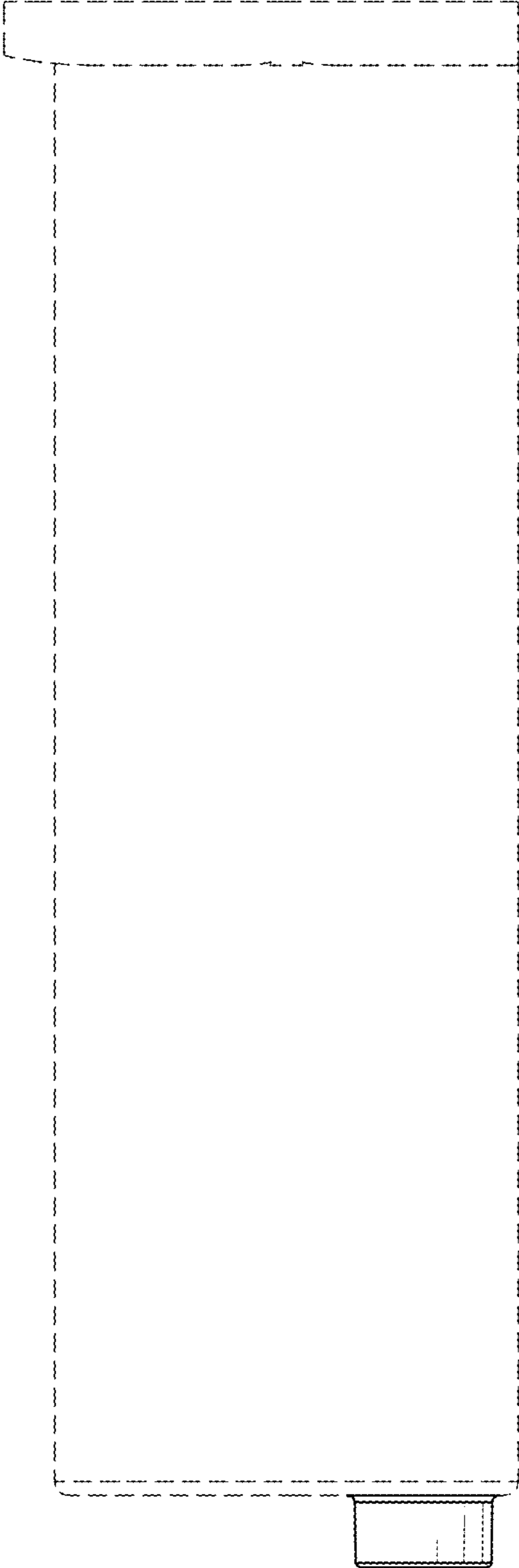


FIG. 5

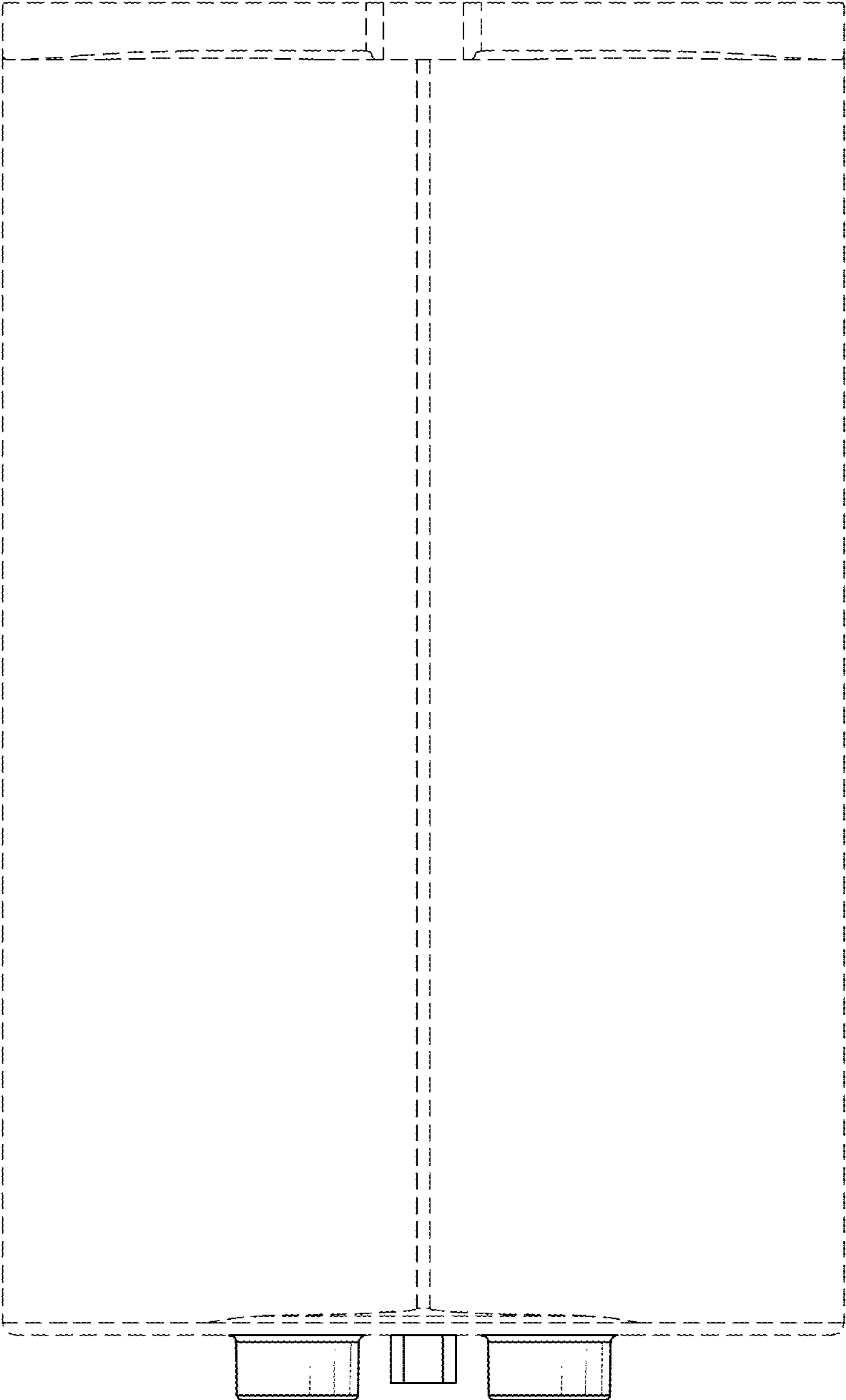


FIG.6

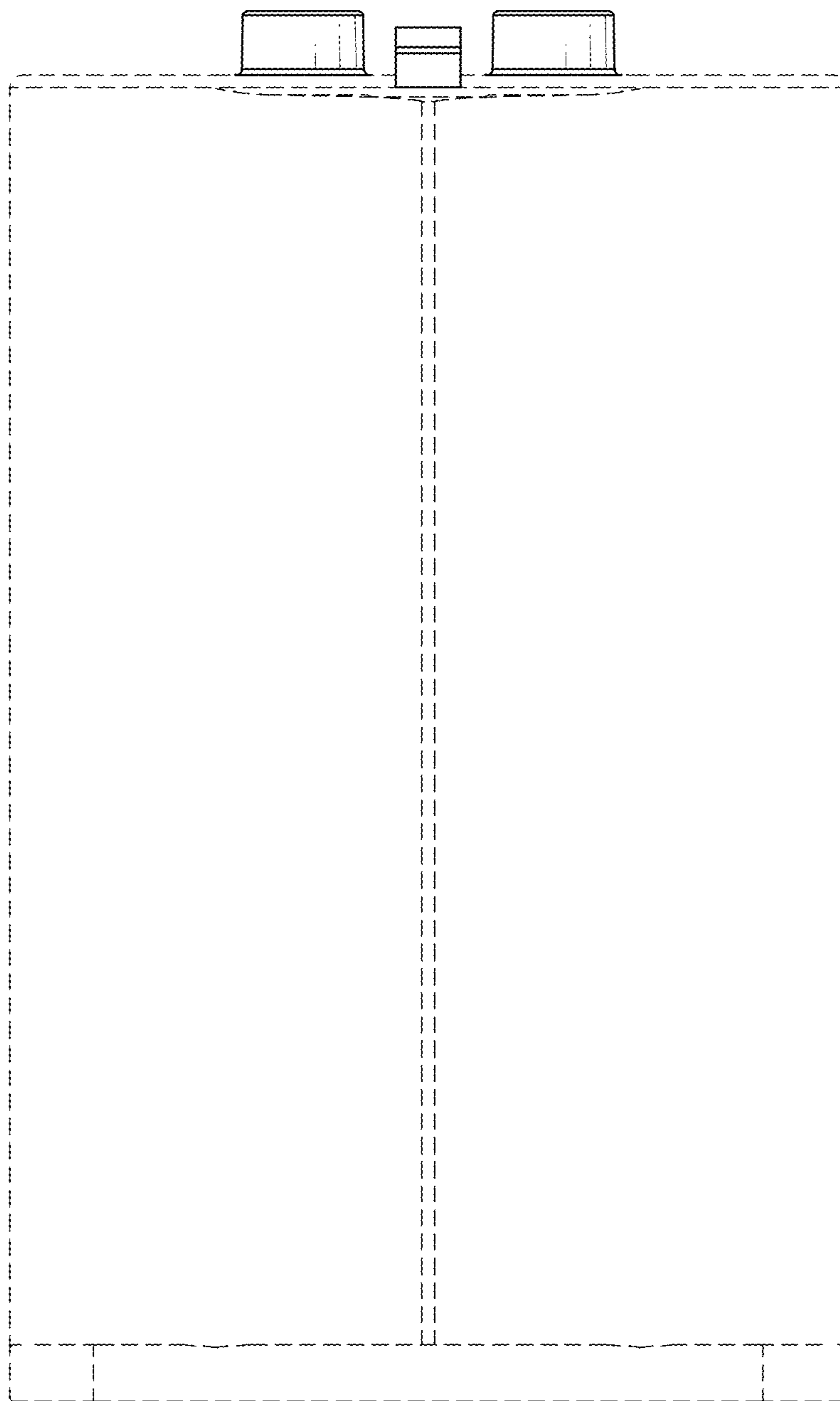


FIG. 7

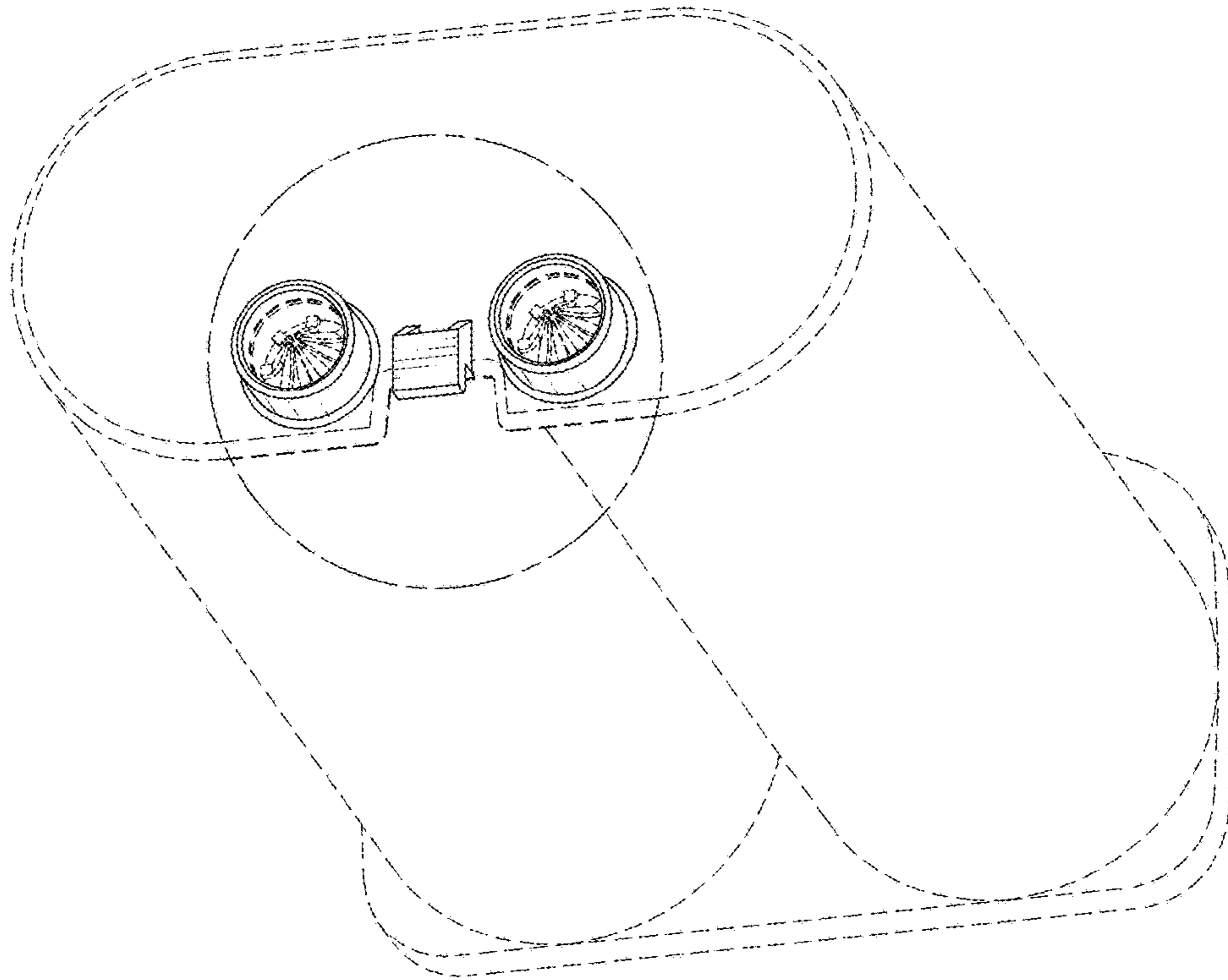


FIG. 8

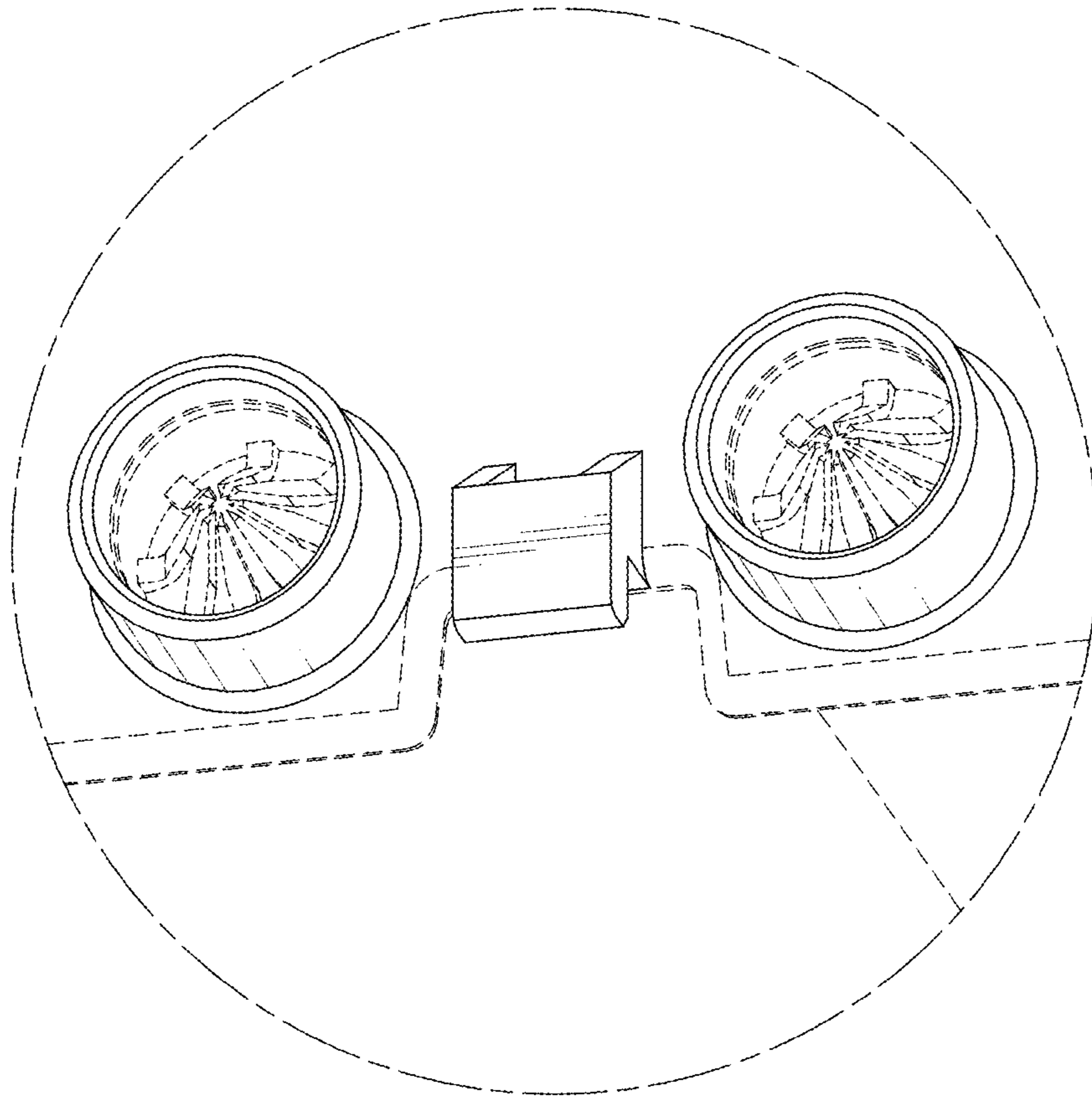


FIG.9