



US00D869679S

(12) **United States Design Patent** (10) **Patent No.:** **US D869,679 S**
Yang et al. (45) **Date of Patent:** **** Dec. 10, 2019**

(54) **TEST STICK**

(71) Applicant: **HYGEIA TOUCH INC.**, Zhubei,
Hsinchu County (TW)

(72) Inventors: **Chung-Yao Yang**, Zhubei (TW);
Ting-Chang Chang, Zhubei (TW);
Robert S. Langer, Newton, MA (US);
Mei-Jou Tsai, Zhubei (TW)

(73) Assignee: **HYGEIA TOUCH INC.**, Zhubei,
Hsinchu County (TW)

(**) Term: **15 Years**

(21) Appl. No.: **29/612,475**

(22) Filed: **Aug. 1, 2017**

(30) **Foreign Application Priority Data**

Feb. 2, 2017 (TW) 106300533

(51) **LOC (12) Cl.** **24-02**

(52) **U.S. Cl.**
USPC **D24/223**

(58) **Field of Classification Search**
USPC D24/108, 112-114, 119, 127, 128, 133,
D24/138, 143, 193, 194, 223; D21/621,
D21/625, 627, 659; D8/383, 395
CPC A47J 43/283; A47J 43/288; B01J 19/0046;
A61B 5/1411; G01N 33/76
See application file for complete search history.

(56) **References Cited**

U.S. PATENT DOCUMENTS

D185,154 S * 5/1959 Krol D24/194
D380,269 S * 6/1997 Mendes D24/194
D414,267 S * 9/1999 Calandro, Jr. D24/194
D443,932 S * 6/2001 Wickerman D24/196
D638,502 S * 5/2011 Paul D21/568
D659,824 S * 5/2012 Kwok D24/108
RE43,730 E * 10/2012 Pils D24/194

D671,639 S * 11/2012 Trifilio D24/128
D733,870 S * 7/2015 Broyles D24/114
D805,212 S * 12/2017 Crumitie D24/223
D832,427 S * 10/2018 Svantesson D24/128
D834,190 S * 11/2018 Choi D24/141
D836,772 S * 12/2018 Nandi D24/114

(Continued)

OTHER PUBLICATIONS

Our Brand (assignee's website). Online, published date unknown.
Retrieved on Feb. 6, 2019 from URL: <http://www.hygeiatouch.com/en/brands.html>.*

Primary Examiner — Susan Bennett Hattan

Assistant Examiner — Omeed Agilee

(74) *Attorney, Agent, or Firm* — Muncy, Geissler, Olds & Lowe, P.C.

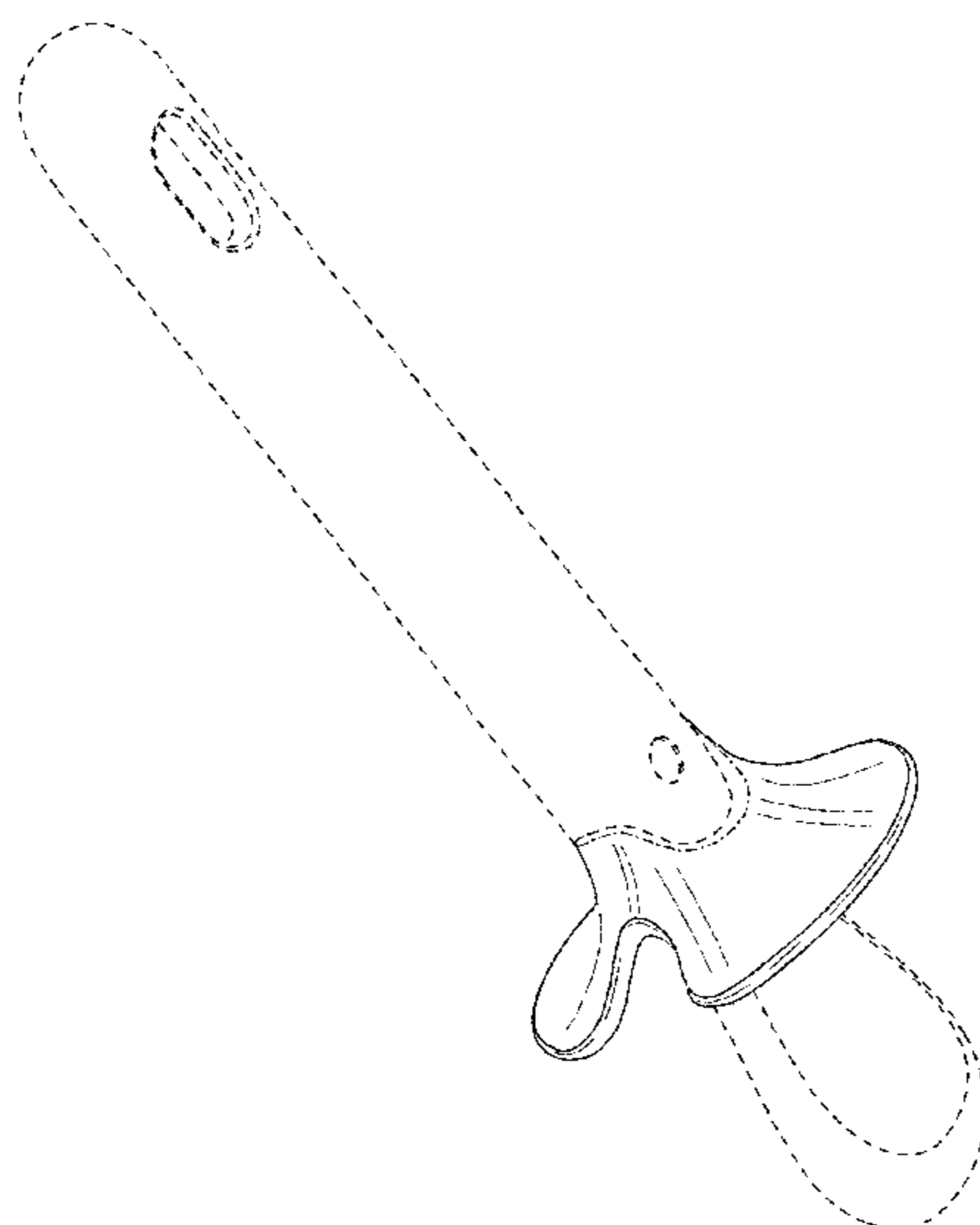
(57) **CLAIM**

The ornamental design for a test stick, as shown and described.

DESCRIPTION

FIG. 1 is a perspective view of a test stick showing the claimed design;
FIG. 2 is another perspective view thereof;
FIG. 3 is a front elevational view thereof;
FIG. 4 is a rear elevational view thereof;
FIG. 5 is a left side elevational view thereof;
FIG. 6 is a right side elevational view thereof;
FIG. 7 is a top plan view thereof;
FIG. 8 is a bottom plan view thereof; and,
FIG. 9 is another perspective view of a test stick in another configuration of use with an unclaimed cover.
The broken lines are directed to environment and are for illustrative purpose only; the broken lines form no part of the claimed design.
The dot-dash lines in the figures represent an unclaimed boundary line and form no part of the claimed design.

1 Claim, 8 Drawing Sheets



(56)

References Cited

U.S. PATENT DOCUMENTS

D838,368 S * 1/2019 Rifani D24/133
2013/0338711 A1 * 12/2013 Strazzeri A61J 17/02
606/235

* cited by examiner

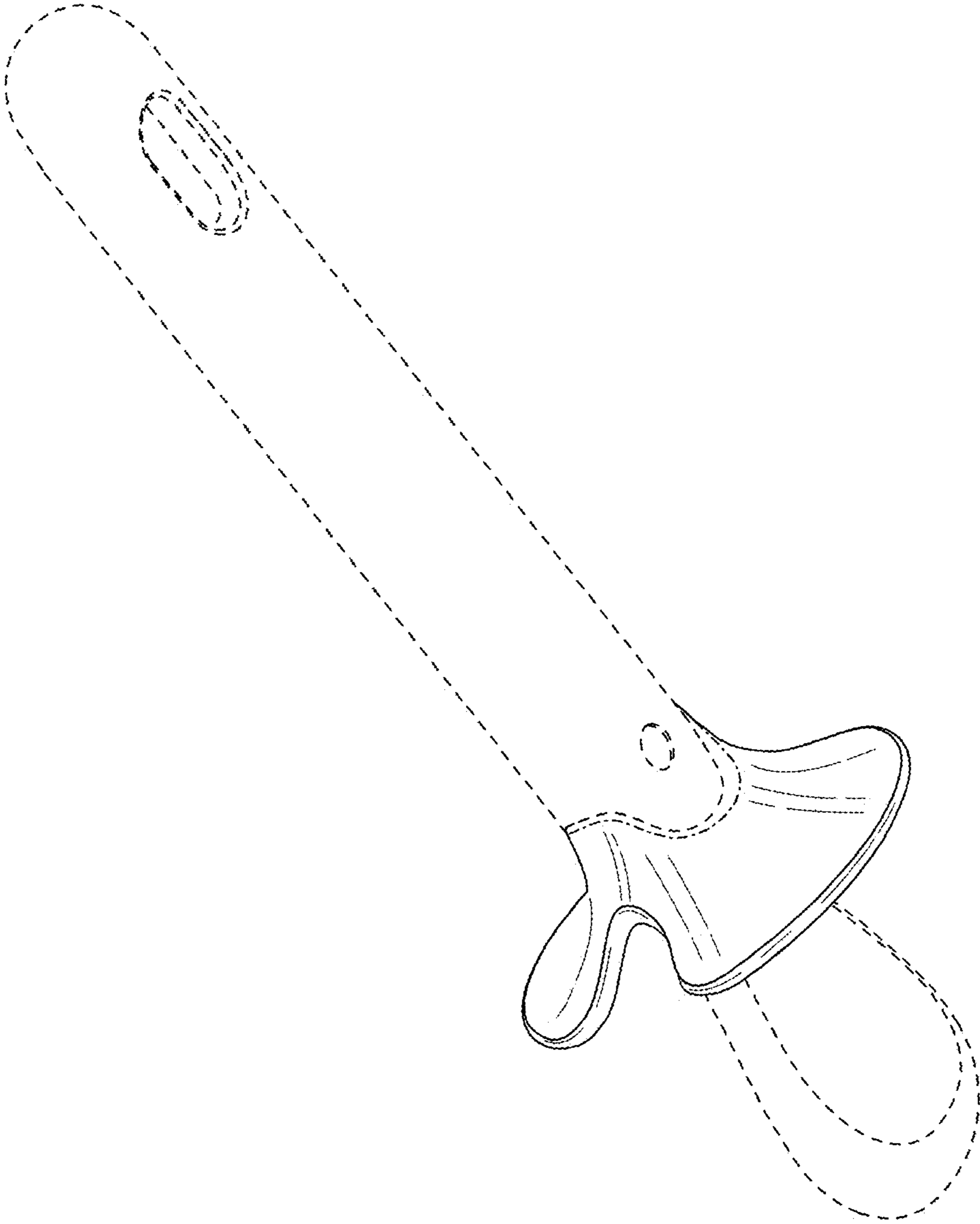


FIG. 1

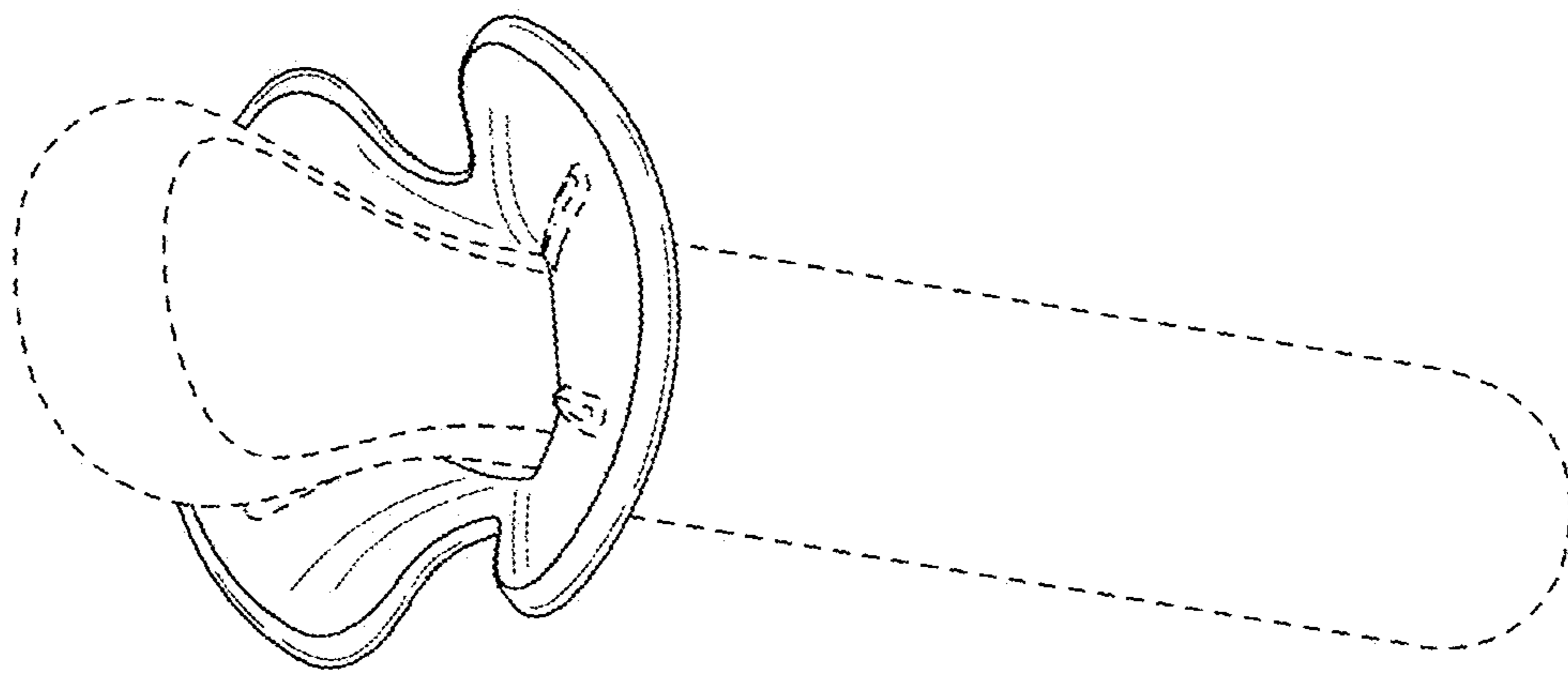


FIG. 2

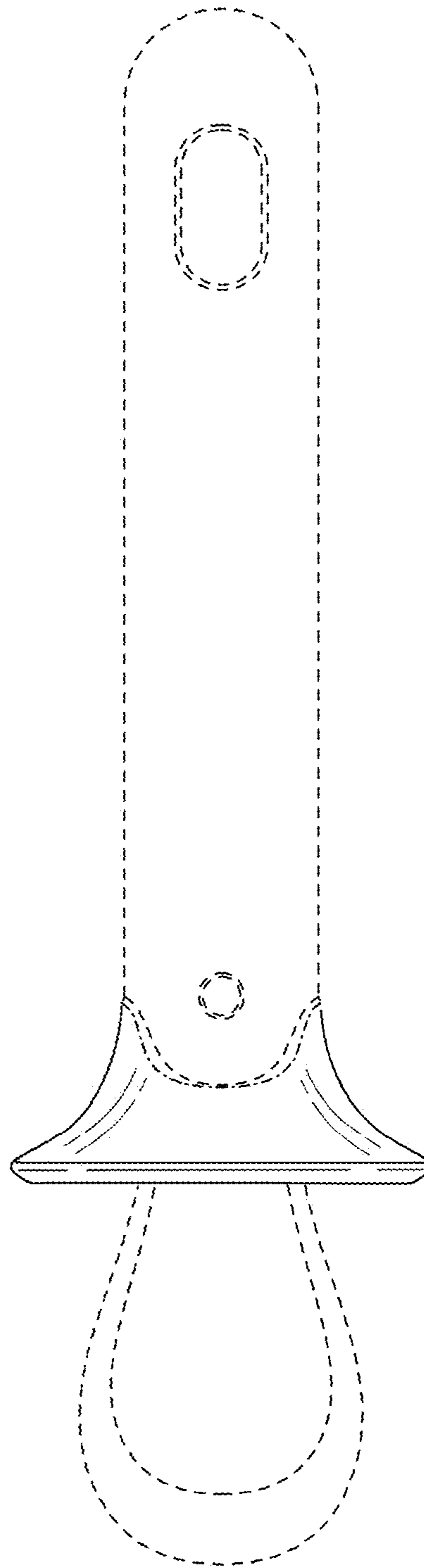


FIG. 3

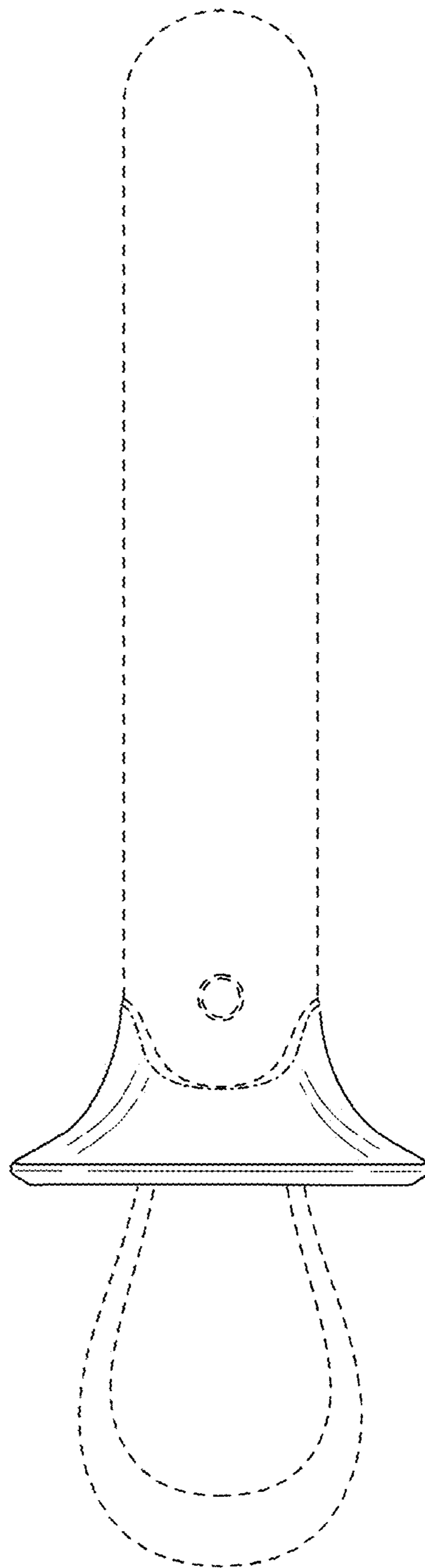


FIG. 4

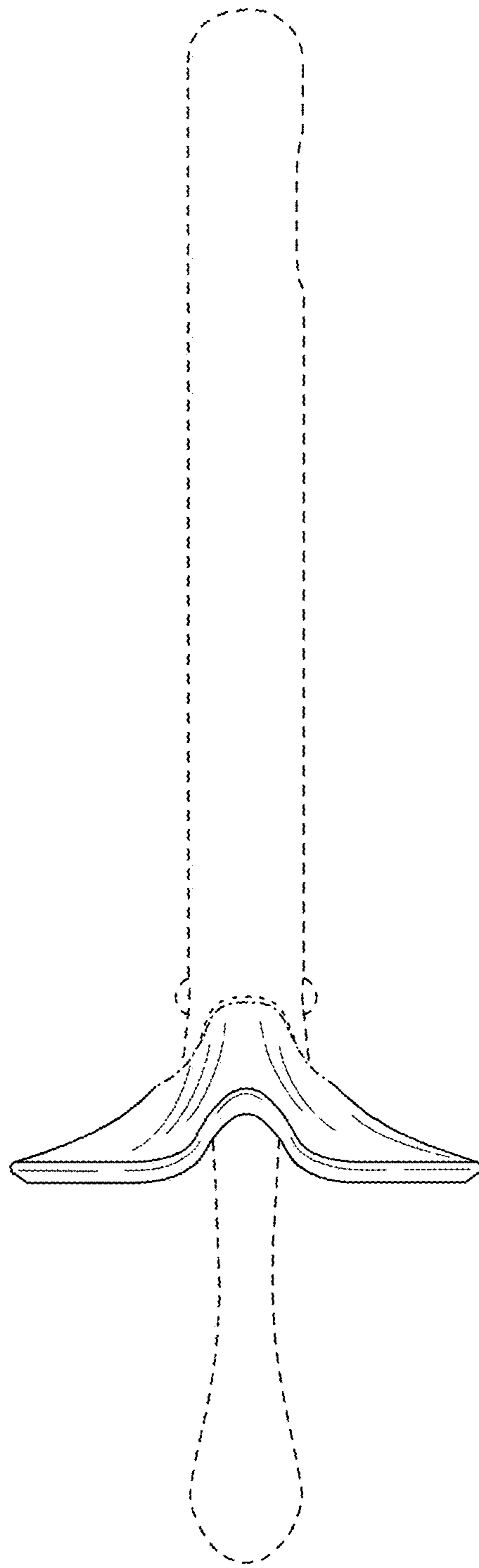


FIG. 5

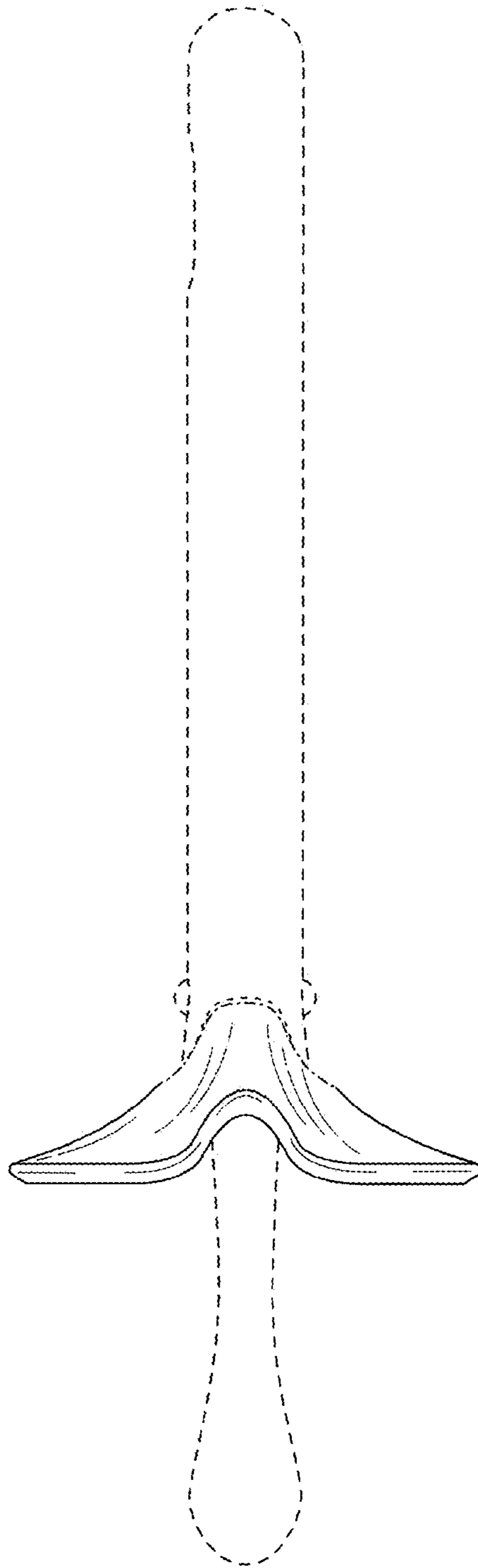


FIG. 6

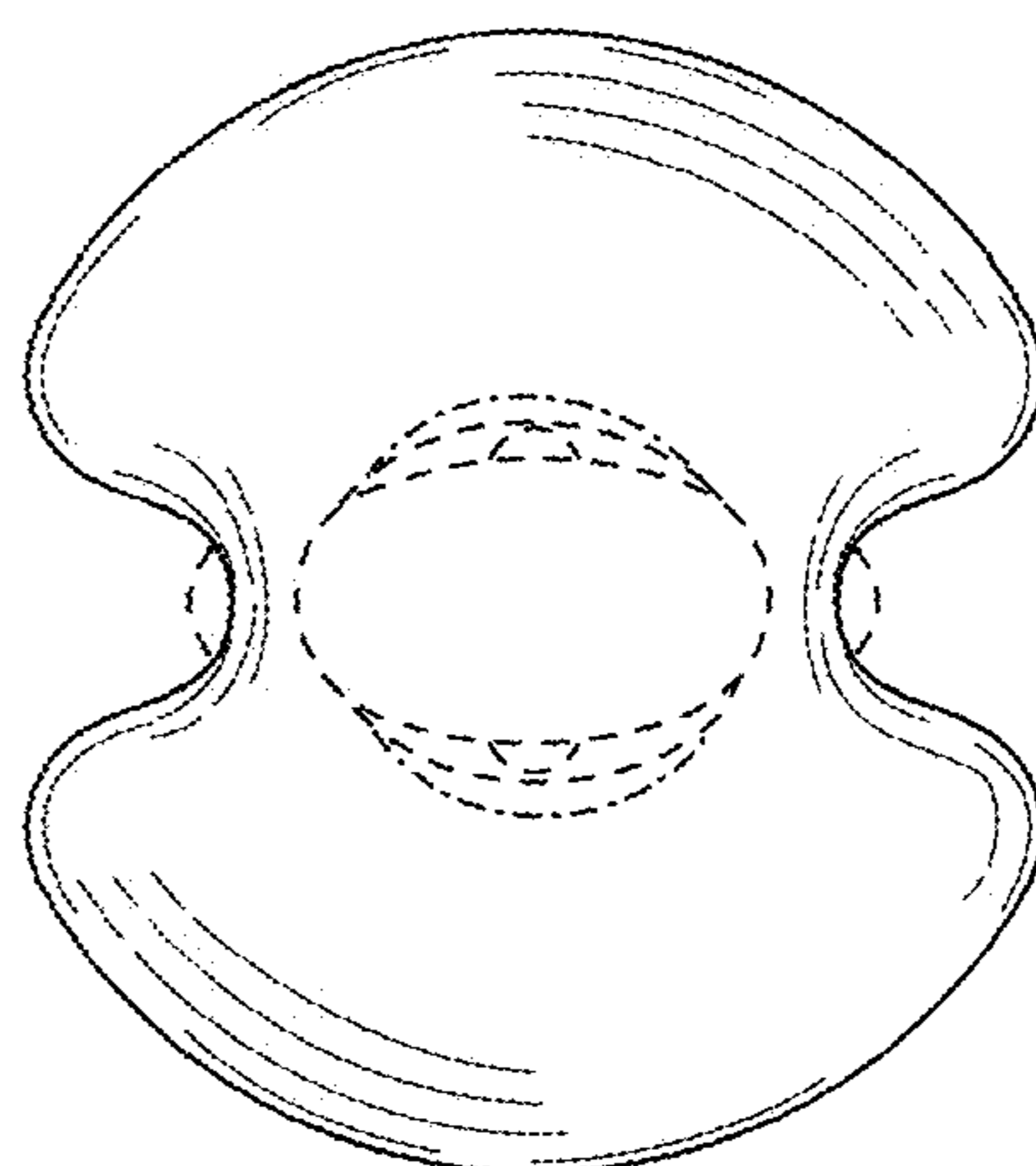


FIG. 7

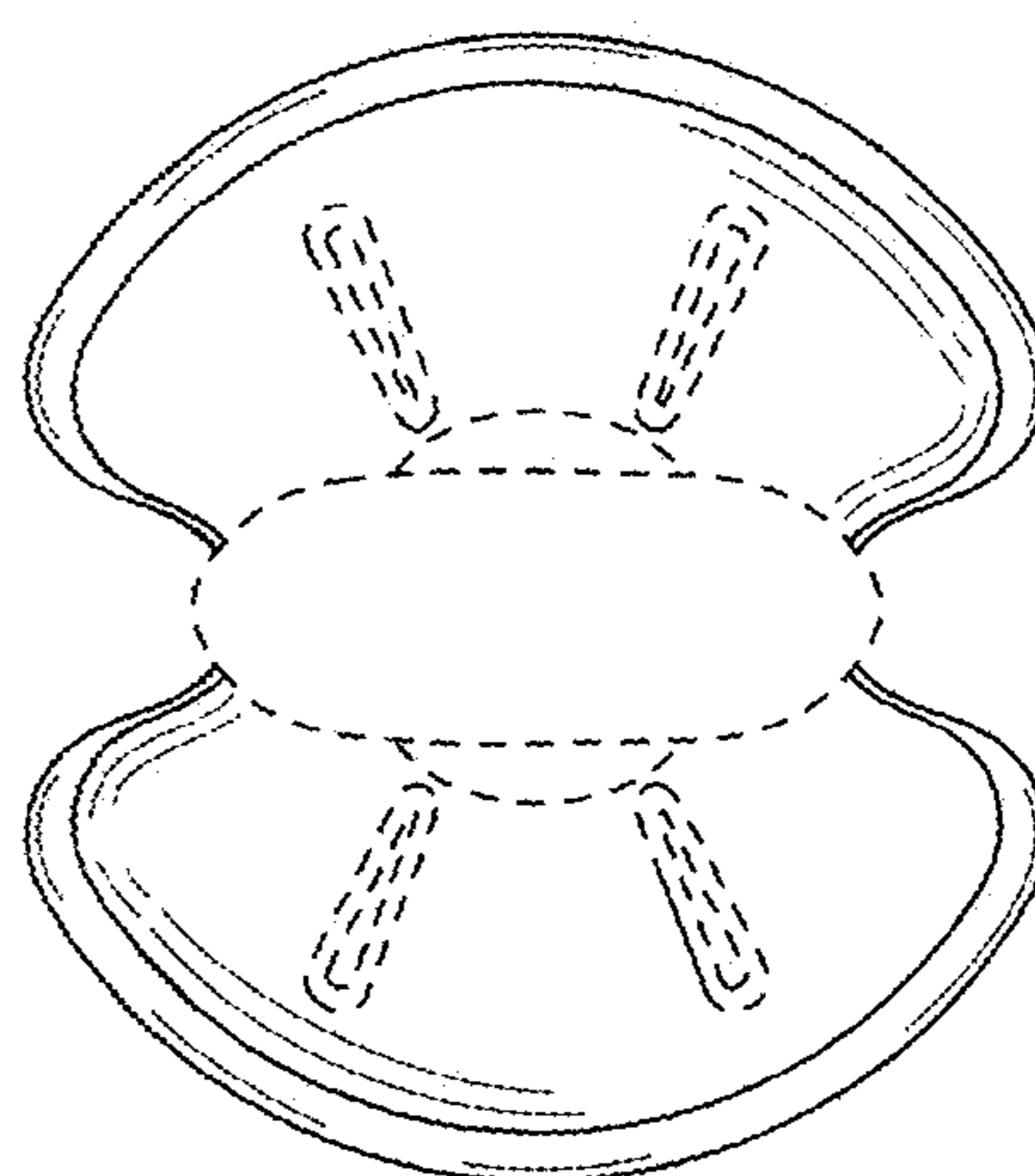


FIG. 8

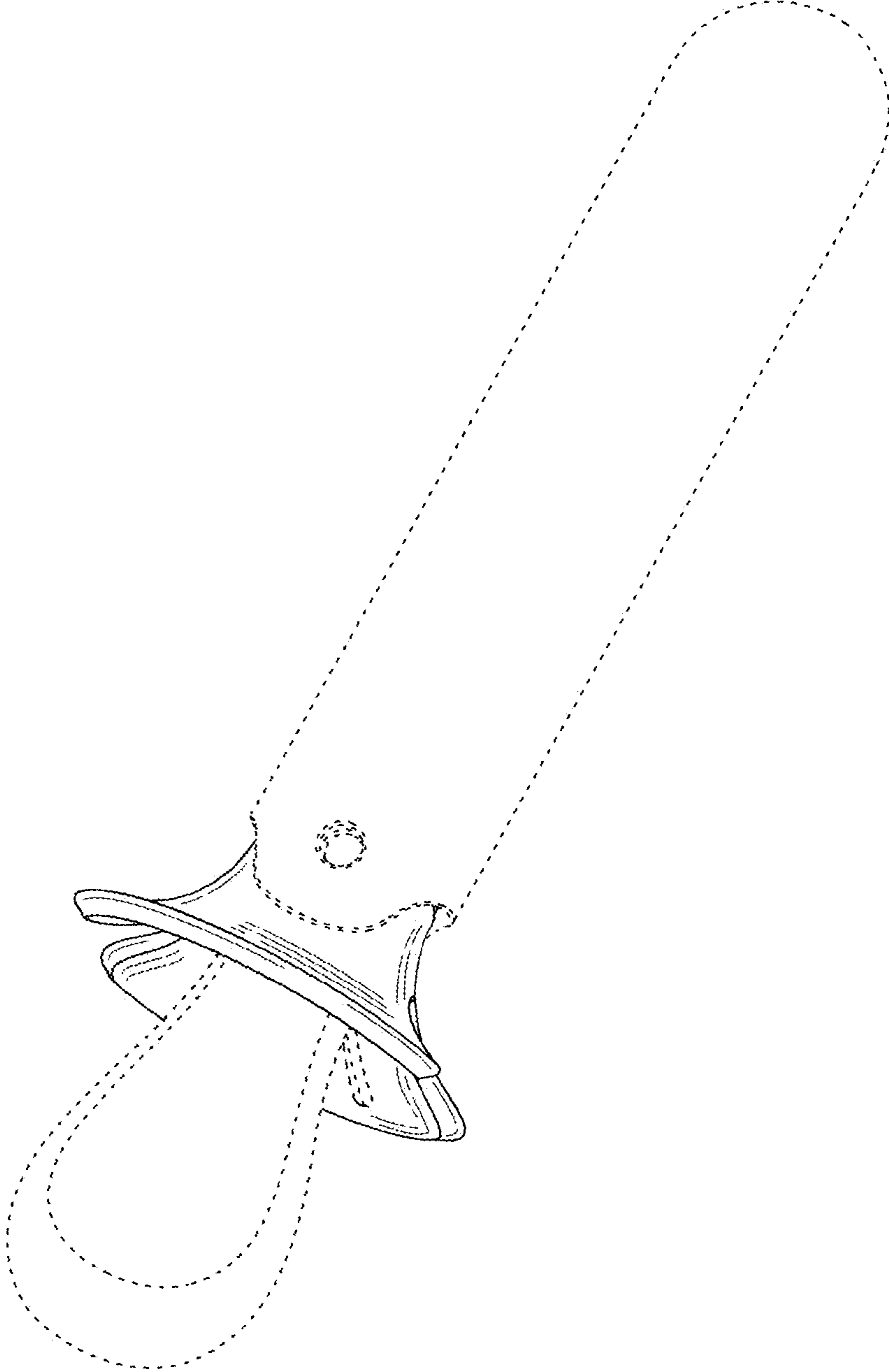


FIG. 9