

US00D869678S

(12) **United States Design Patent** (10) **Patent No.:** **US D869,678 S**  
**Gardner et al.** (45) **Date of Patent:** **\*\* Dec. 10, 2019**

(54) **SAMPLER DEVICE**

(71) Applicant: **SNPSHOT TRUSTEE LIMITED**,  
Auckland (NZ)

(72) Inventors: **Michael Stuart Gardner**, Auckland  
(NZ); **Roy Victor Bladen**, Auckland  
(NZ); **Rory Bladen**, Auckland (NZ)

(73) Assignee: **SNPSHOT TRUSTEE LIMITED**,  
Auckland (NZ)

(\*\*) Term: **15 Years**

(21) Appl. No.: **29/639,770**

(22) Filed: **Mar. 8, 2018**

(30) **Foreign Application Priority Data**

Sep. 8, 2017 (AU) ..... 201715398

(51) **LOC (12) Cl.** ..... **24-01**

(52) **U.S. Cl.**  
USPC ..... **D24/216**

(58) **Field of Classification Search**  
USPC ..... D24/133, 143, 148, 216, 231, 232;  
D10/81

See application file for complete search history.

(56) **References Cited**

**U.S. PATENT DOCUMENTS**

- 6,659,338 B1 12/2003 Dittmann et al.
- 6,947,866 B2 9/2005 Staab
- 6,968,639 B2 11/2005 Destoumieux
- 7,235,055 B2 6/2007 Pfistershammer
- 8,070,757 B2 12/2011 Eadie
- D731,643 S \* 6/2015 Bullington ..... D24/117
- D778,439 S \* 2/2017 Hakansson ..... D24/133
- 2003/0171766 A1 \* 9/2003 Cervi ..... A61B 10/0233  
606/184
- 2004/0103567 A1 6/2004 Destoumieux

- 2005/0228310 A1 10/2005 Pfistershammer
- 2008/0064983 A1 3/2008 Stromberg et al.
- 2008/0227662 A1 9/2008 Stromberg et al.
- 2009/0270878 A1 10/2009 Eadie
- 2012/0010526 A1 1/2012 Hilpert et al.

(Continued)

**FOREIGN PATENT DOCUMENTS**

- EP 1014861 A1 7/2000
- EP 1781086 A2 5/2007

(Continued)

*Primary Examiner* — Anhdao Doan

(74) *Attorney, Agent, or Firm* — Joseph G. Chu; JCIP

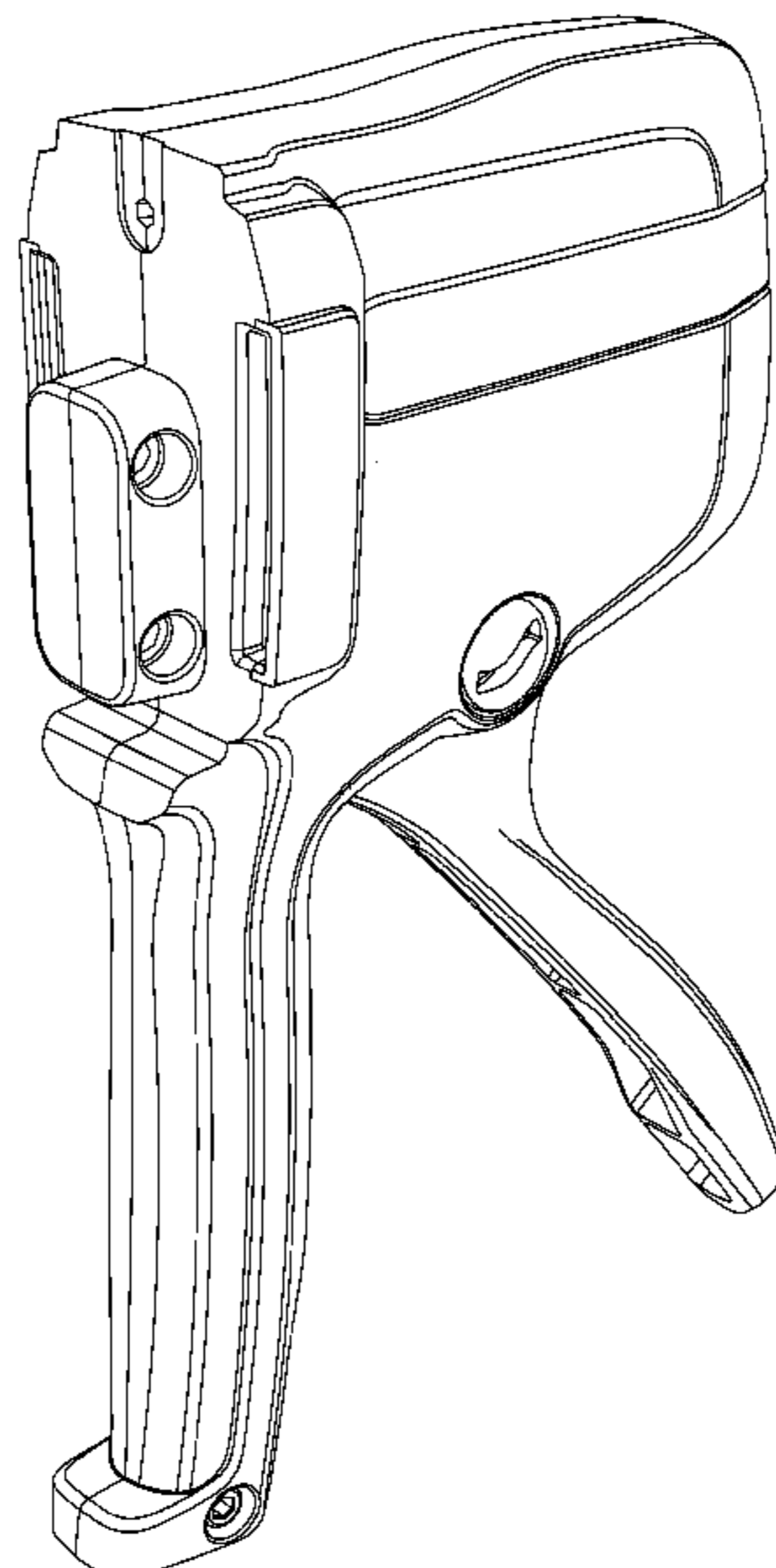
(57) **CLAIM**

We claim the ornamental design for a sampler device, as shown and described.

**DESCRIPTION**

FIG. 1 is a front left perspective view of a sampler device; FIG. 2 is a back left perspective view of the sampler device; FIG. 3 is a front right perspective view of the sampler device; FIG. 4 is a back right perspective view of the sampler device; FIG. 5 is a bottom left perspective view of the sampler device; FIG. 6 is a bottom right perspective view of the sampler device; FIG. 7 is a left side view of the sampler device; FIG. 8 is a right side view of the sampler device; FIG. 9 is a top view of the sampler device; FIG. 10 is a bottom view of the sampler device; FIG. 11 is a front view of the sampler device; and, FIG. 12 is a back view of the sampler device.

**1 Claim, 10 Drawing Sheets**



(56)

**References Cited**

U.S. PATENT DOCUMENTS

2013/0204159 A1\* 8/2013 Destoumieux ..... A61B 10/0266  
600/564  
2016/0249891 A1\* 9/2016 Gardner ..... A61B 10/0266  
600/567  
2019/0110779 A1\* 4/2019 Gardner ..... A61B 10/0266

FOREIGN PATENT DOCUMENTS

EP 1014861 B1 7/2008  
EP 1781086 B1 7/2008  
EP 2066170 A1 6/2009  
EP 2066170 B1 7/2010  
EP 2579782 A1 4/2013  
EP 1014861 B2 4/2014  
WO 1999012475 A1 3/1999  
WO 2006000869 A2 1/2006  
WO 2006000869 A3 4/2006  
WO 2007013820 A1 2/2007  
WO 2008037802 A1 4/2008  
WO 2011154510 A1 4/2013  
WO 2014196876 A1 12/2014  
WO 2014196877 A1 12/2014  
WO 2015056225 A1 4/2015  
WO 2015056226 A1 4/2015  
WO 2015056227 A1 4/2015  
WO 2015056228 A1 4/2015  
WO 2015056229 A1 4/2015  
WO 2016107825 A1 7/2016

\* cited by examiner

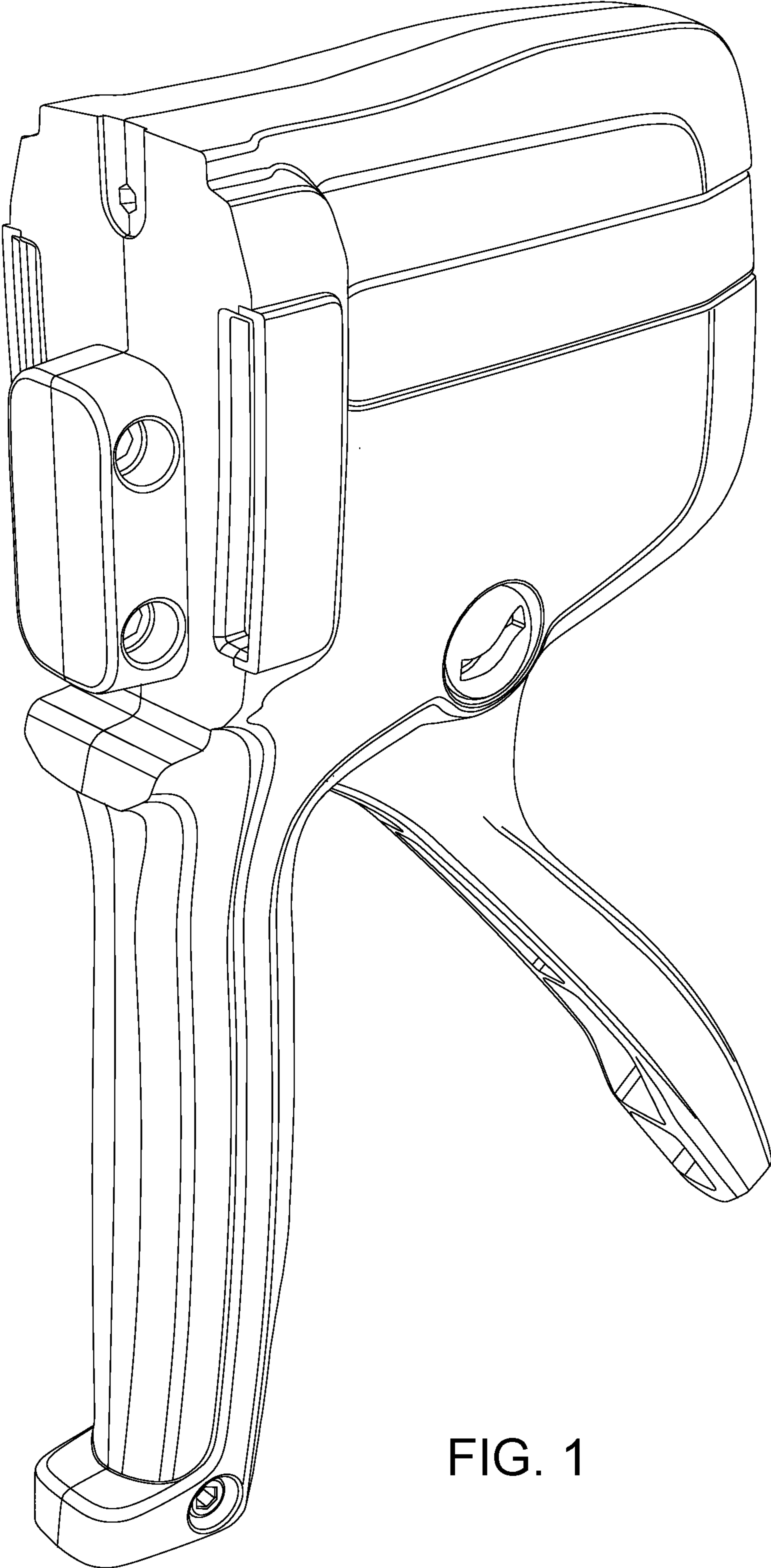


FIG. 1

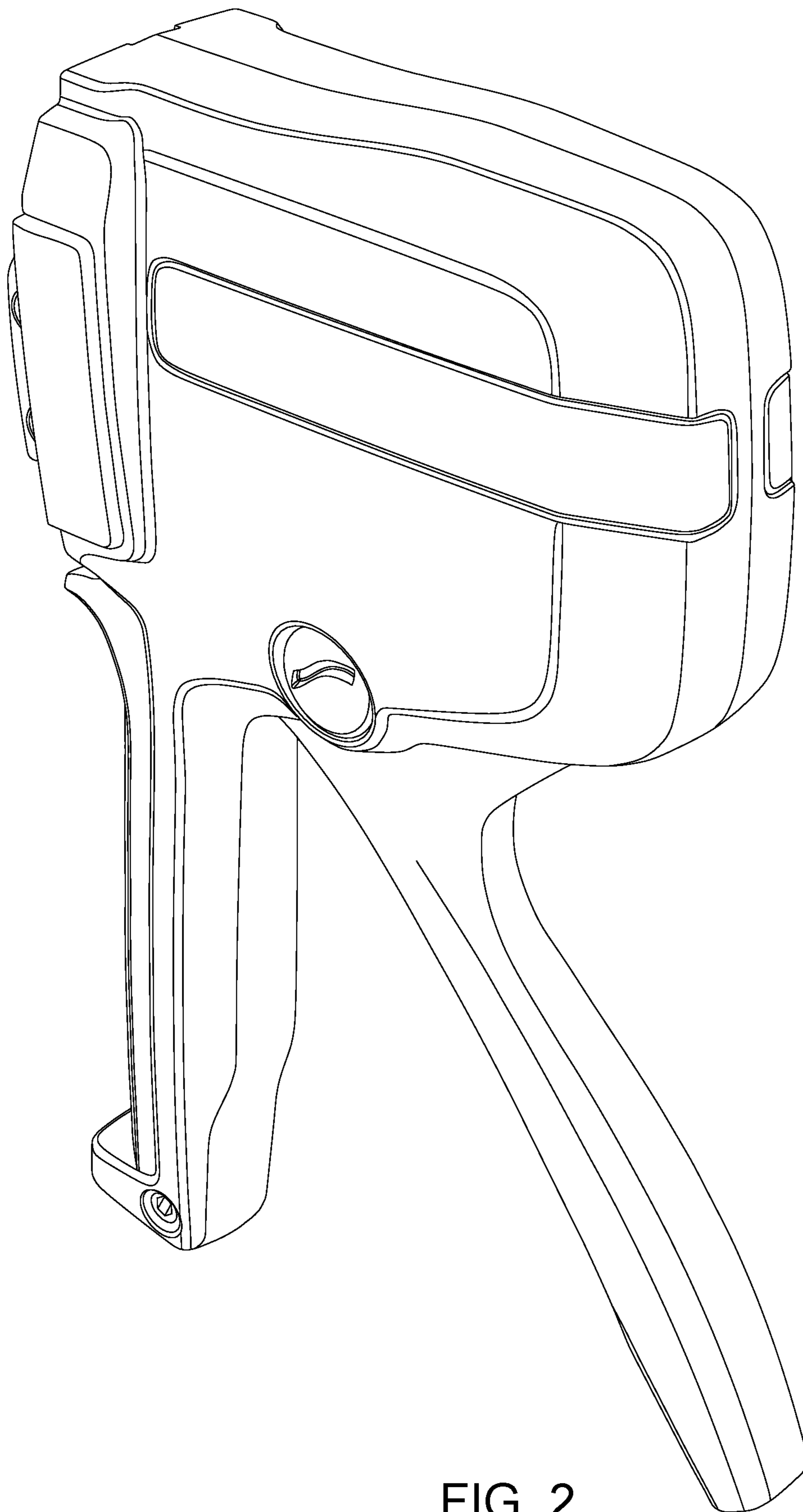


FIG. 2

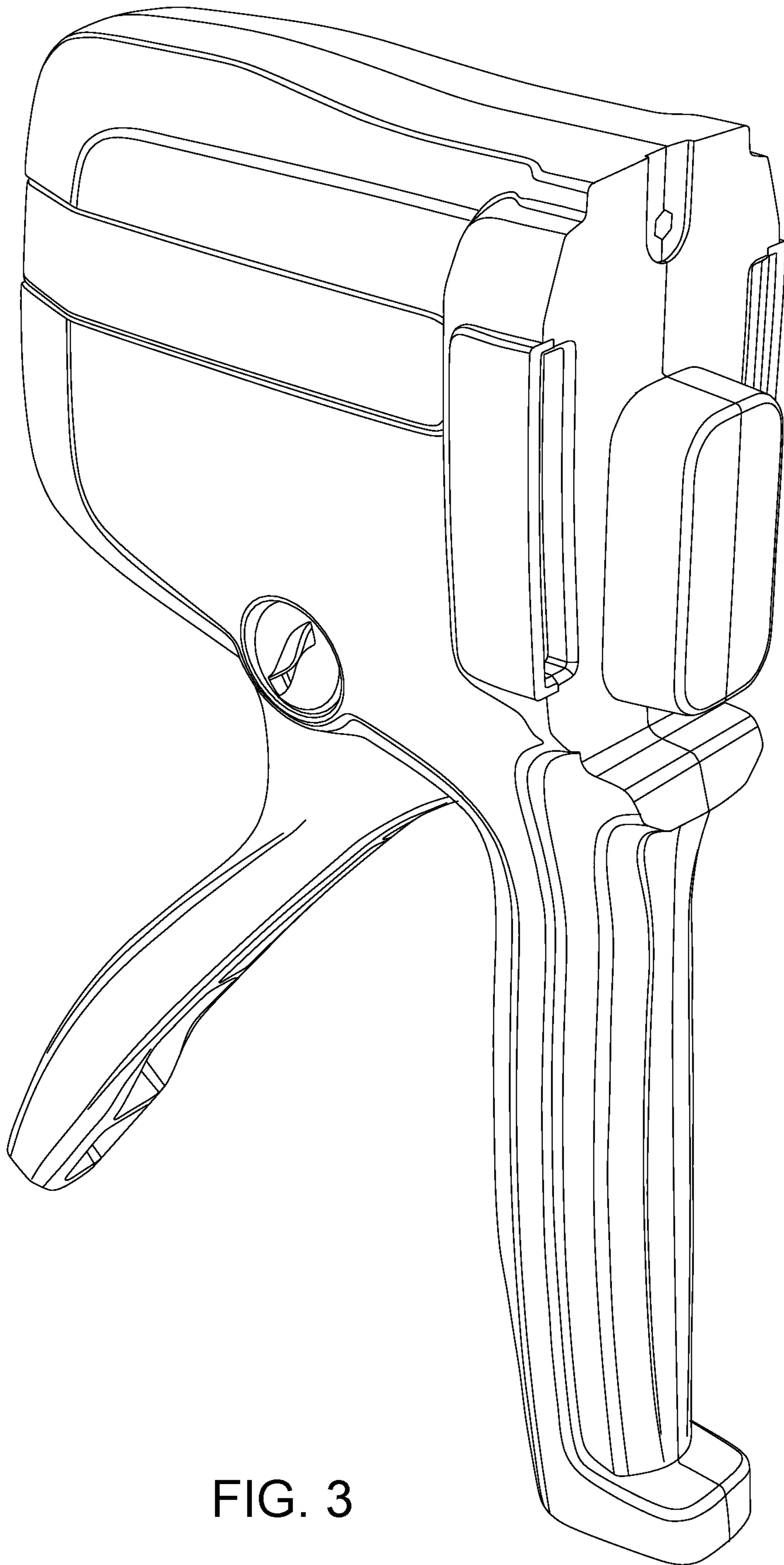


FIG. 3

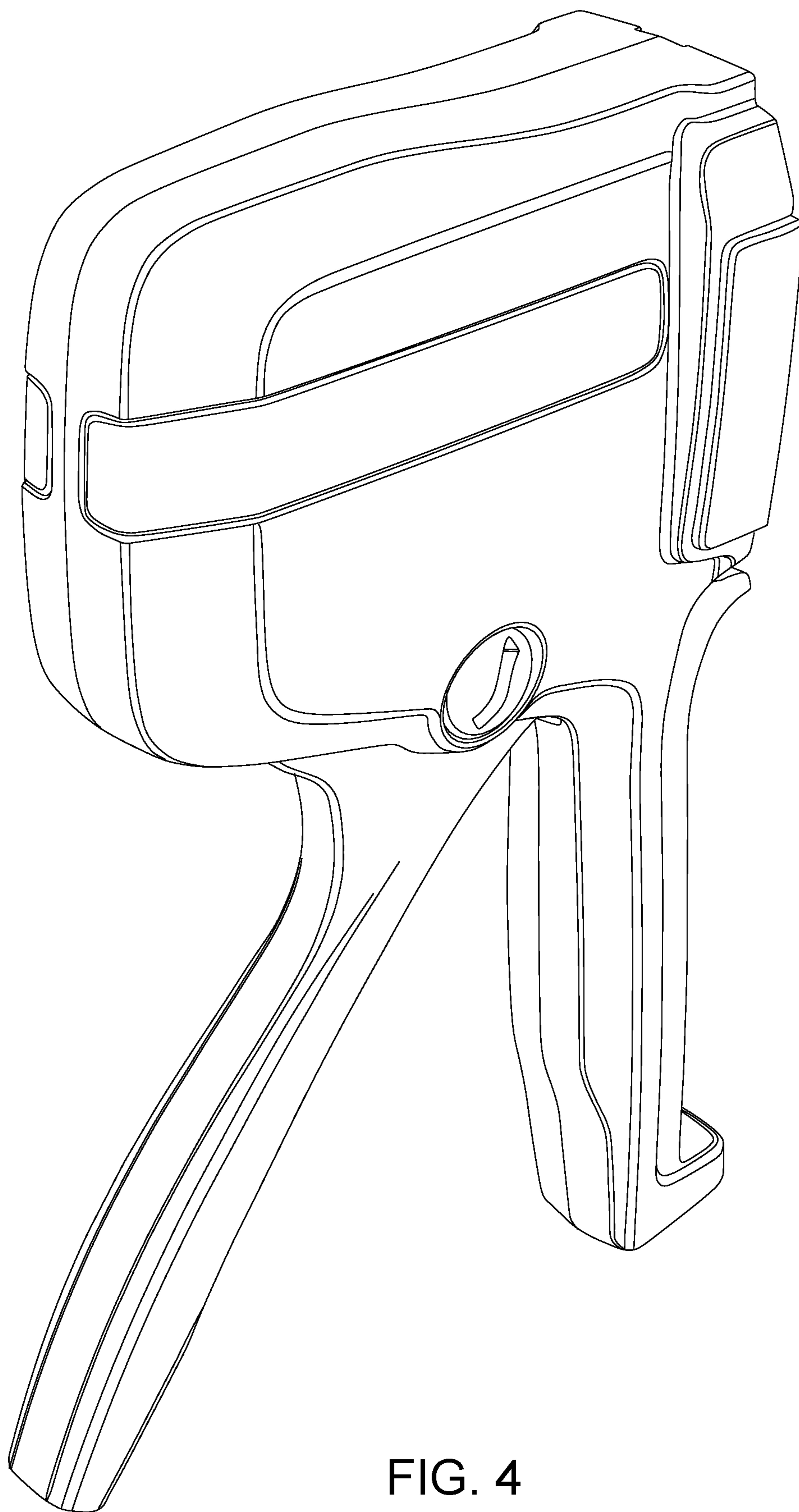


FIG. 4

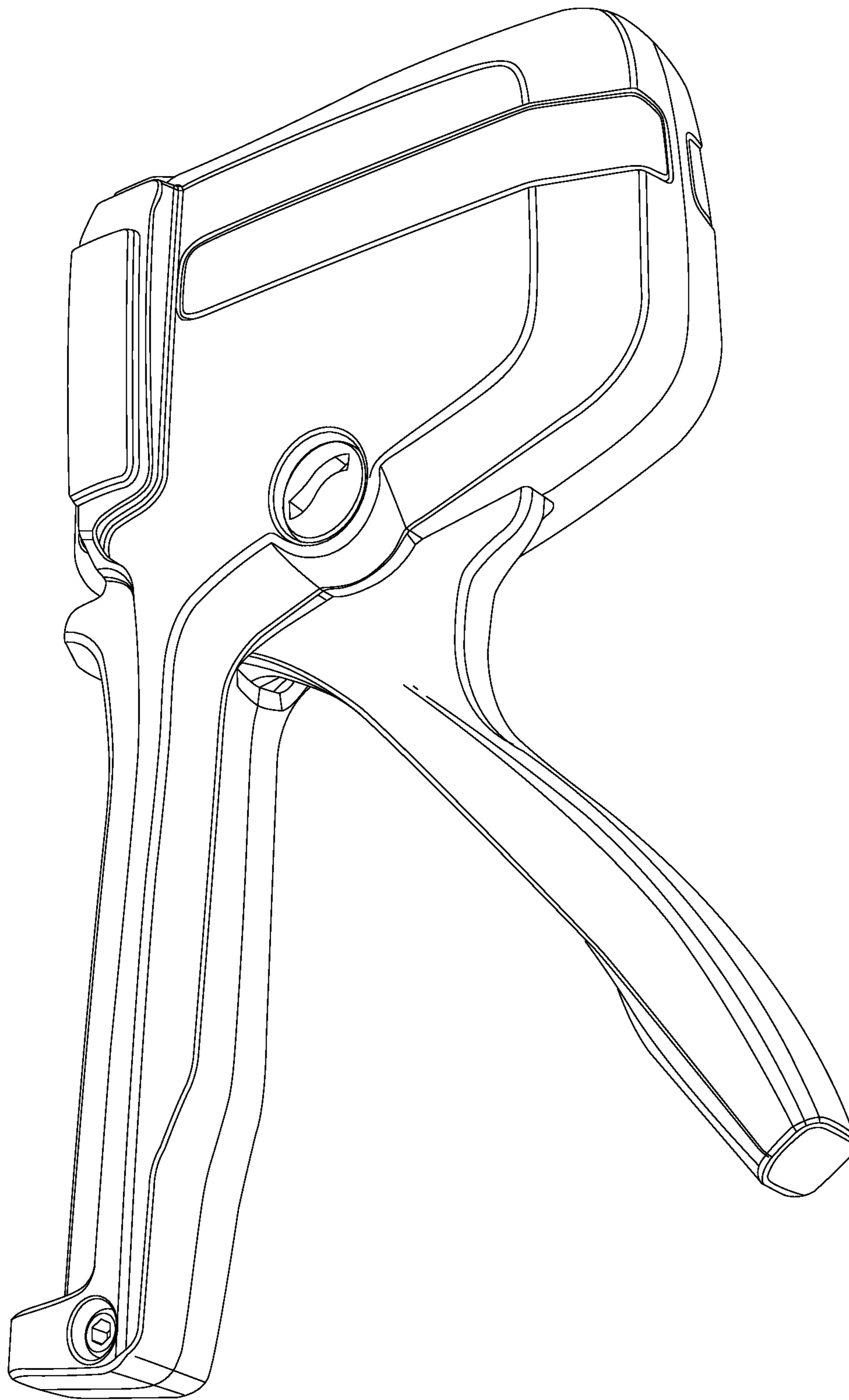


FIG. 5

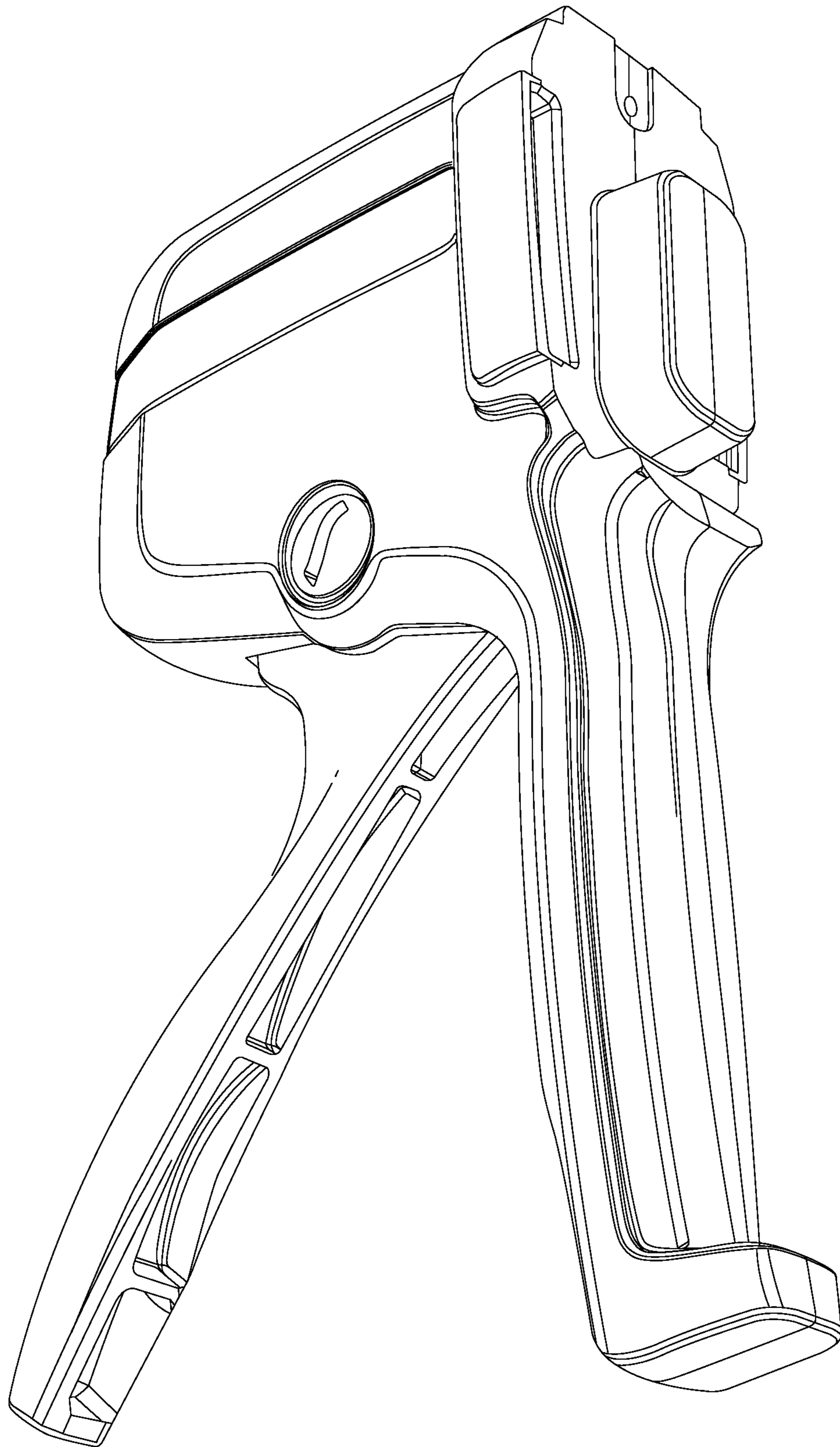


FIG. 6



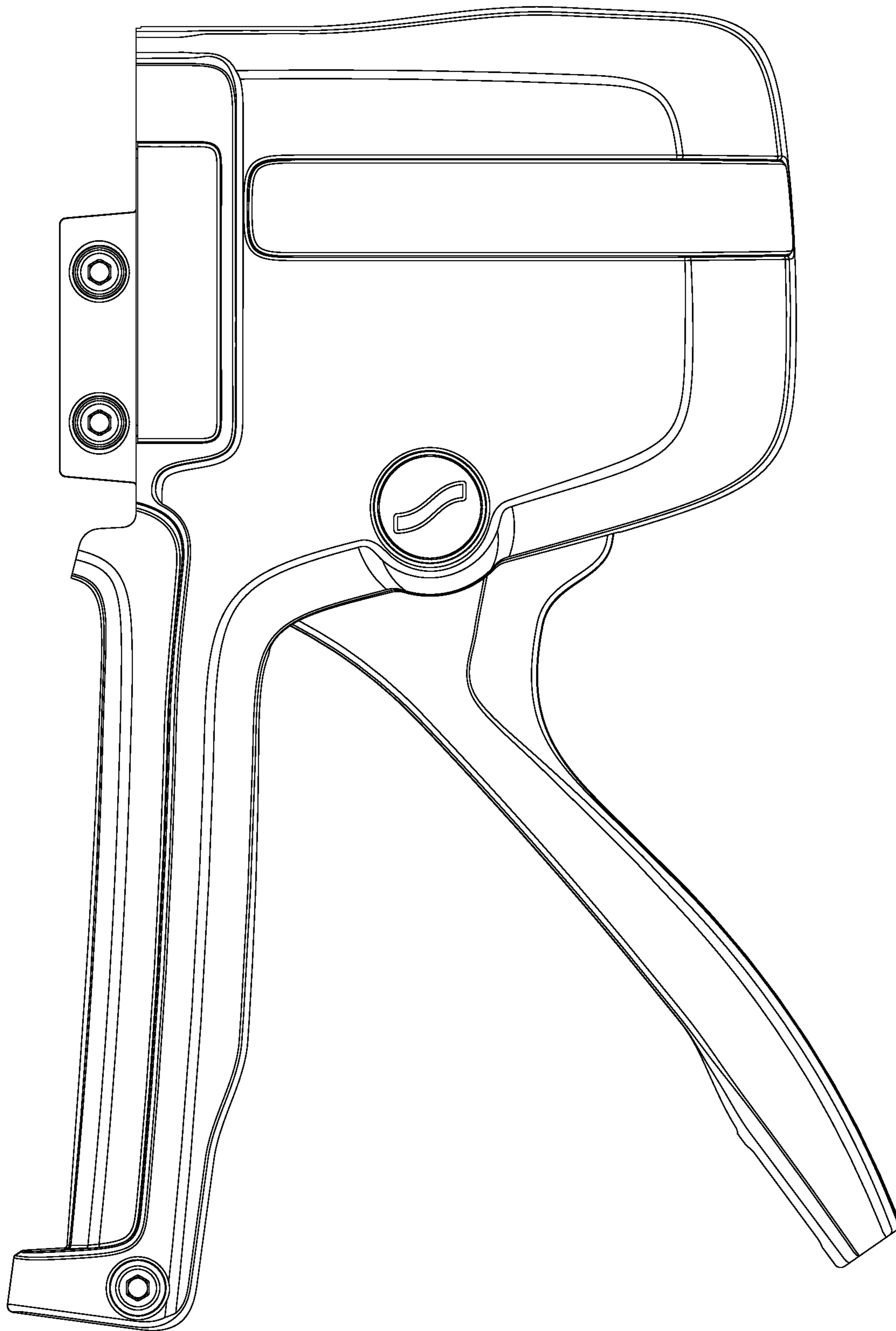


FIG. 7

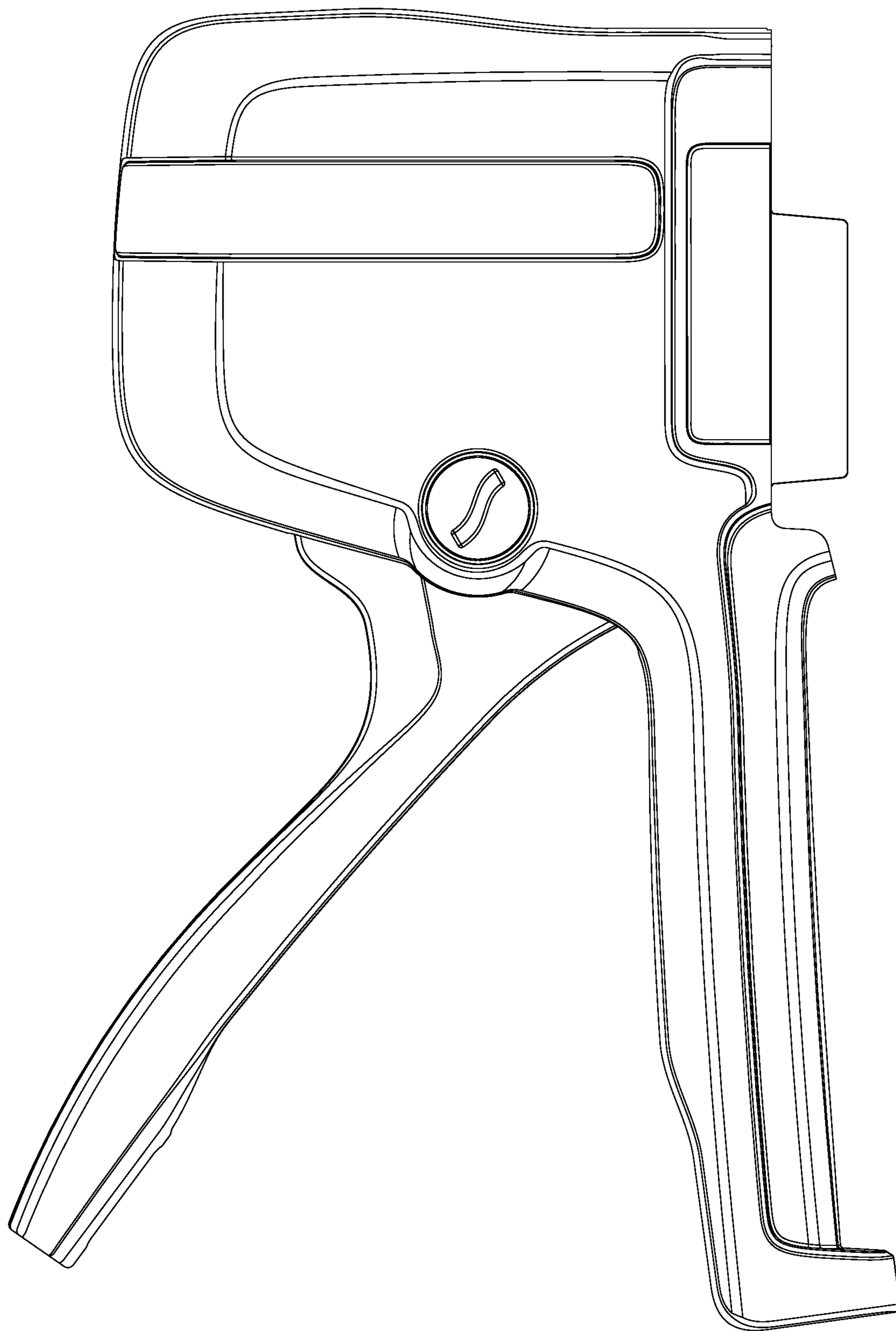


FIG. 8

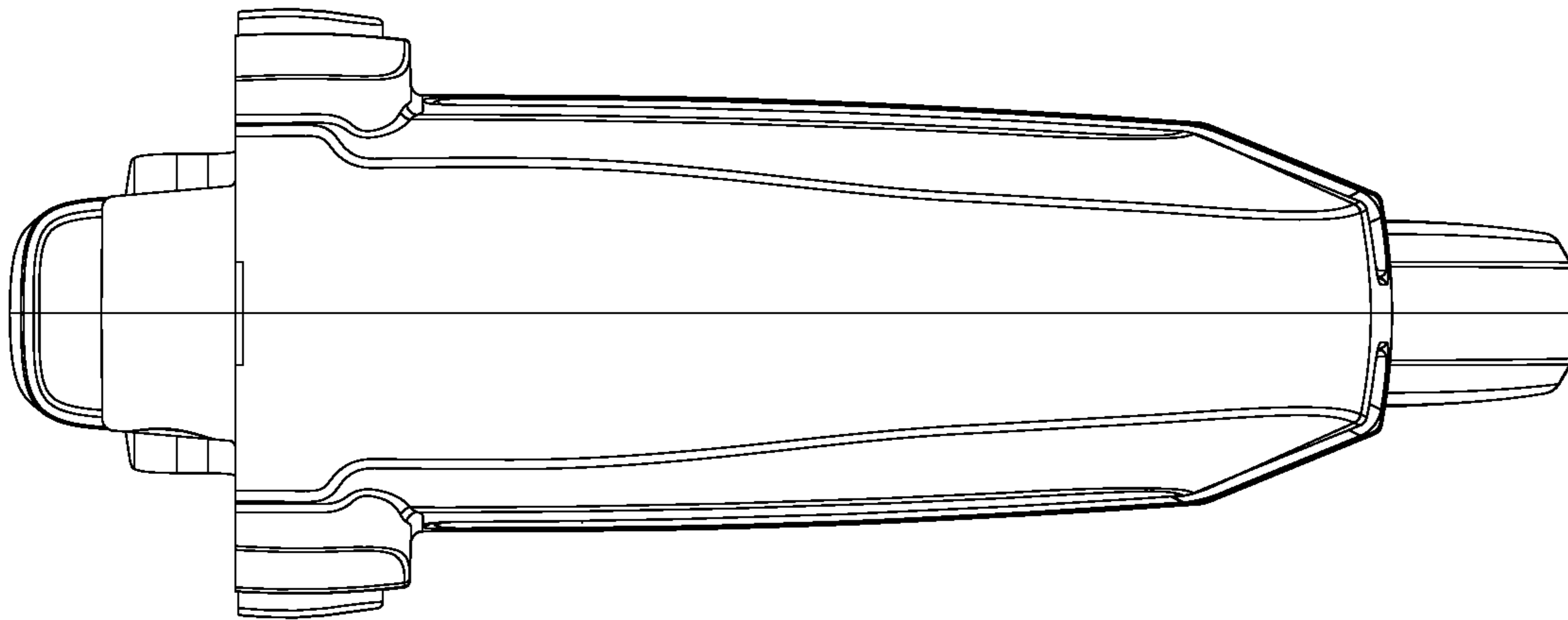


FIG. 9

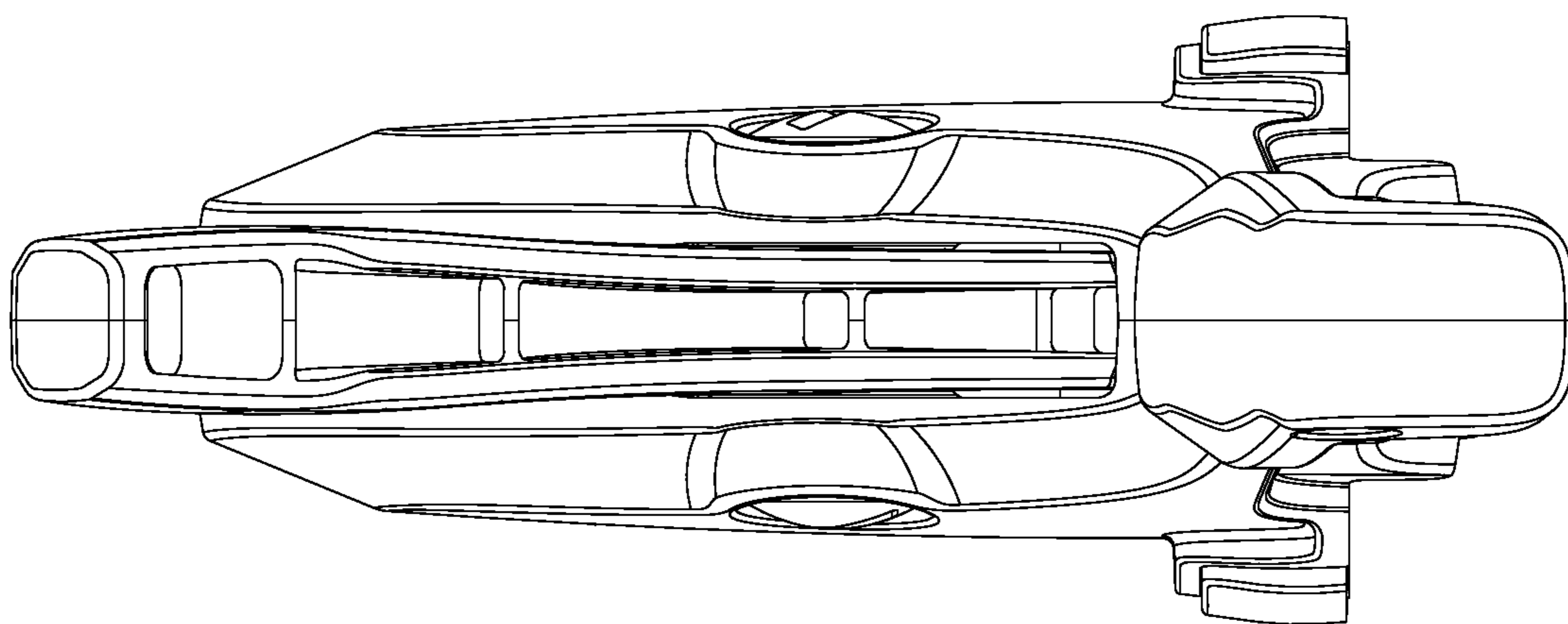


FIG. 10

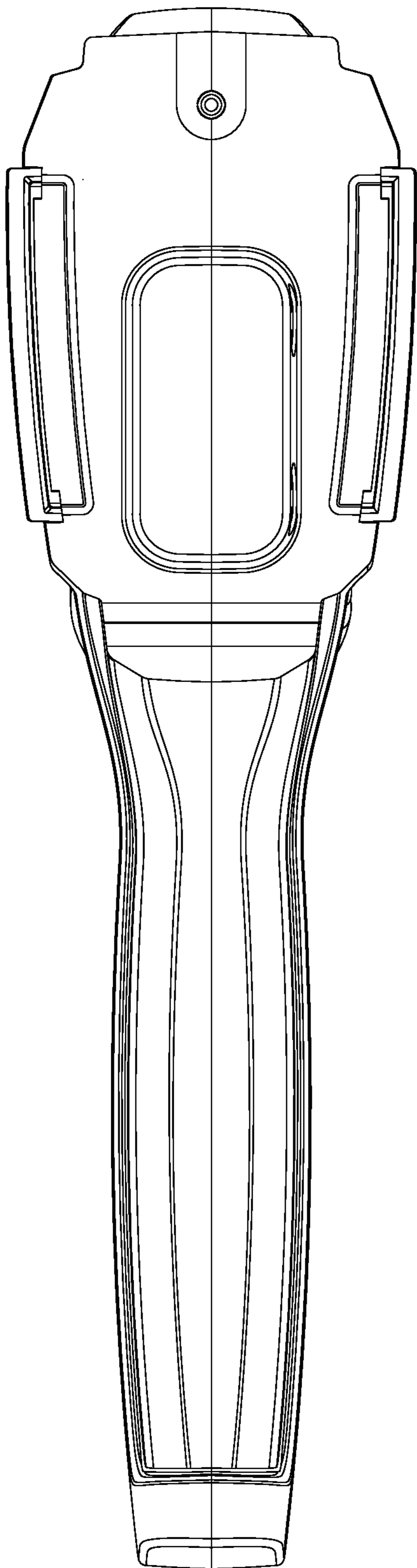


FIG. 11

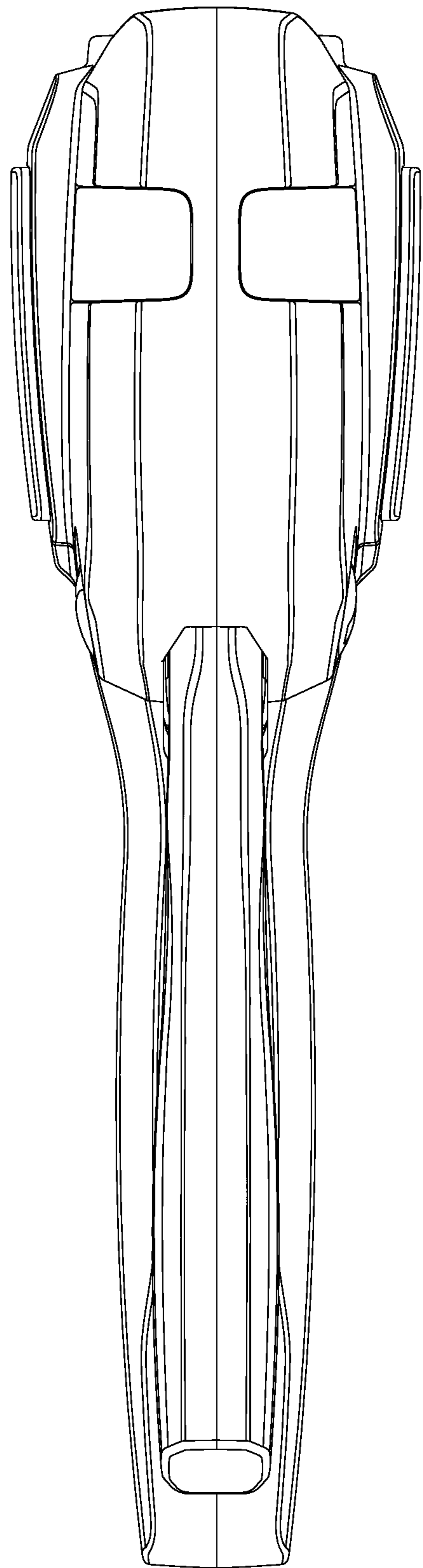


FIG. 12