

US00D869677S

(12) **United States Design Patent** (10) **Patent No.:** **US D869,677 S**
Gardner et al. (45) **Date of Patent:** **** Dec. 10, 2019**

(54) **SAMPLER DEVICE**
(71) Applicant: **SNPSHOT TRUSTEE LIMITED**,
Auckland (NZ)
(72) Inventors: **Michael Stuart Gardner**, Auckland
(NZ); **Roy Victor Bladen**, Auckland
(NZ); **Rory Bladen**, Auckland (NZ)
(73) Assignee: **SNPSHOT TRUSTEE LIMITED**,
Auckland (NZ)

2004/0103567 A1 6/2004 Destoumieux
2005/0228310 A1 10/2005 Pfistershammer
2008/0064983 A1 3/2008 Stromberg et al.
2008/0227662 A1 9/2008 Stromberg et al.
2009/0270878 A1 10/2009 Eadie
2012/0010526 A1 1/2012 Hilpert et al.
2013/0204159 A1* 8/2013 Destoumieux A01K 11/003
600/564
2016/0249891 A1* 9/2016 Gardner A61B 10/0266
600/567

(Continued)

FOREIGN PATENT DOCUMENTS

(**) Term: **15 Years**
(21) Appl. No.: **29/639,763**
(22) Filed: **Mar. 8, 2018**

EP 1014861 A1 7/2000
EP 1781086 A2 5/2007

(Continued)

Primary Examiner — Anhdao Doan

(30) **Foreign Application Priority Data**

(74) *Attorney, Agent, or Firm* — Joseph G. Chu; JCIP

Sep. 8, 2017 (AU) 201715390

(51) **LOC (12) Cl.** **24-01**

(52) **U.S. Cl.**
USPC **D24/216**

(58) **Field of Classification Search**
USPC D24/133, 143, 148, 216, 231, 232;
D10/81

See application file for complete search history.

(57) **CLAIM**

We claim the ornamental design for a sampler device, as shown and described.

(56) **References Cited**

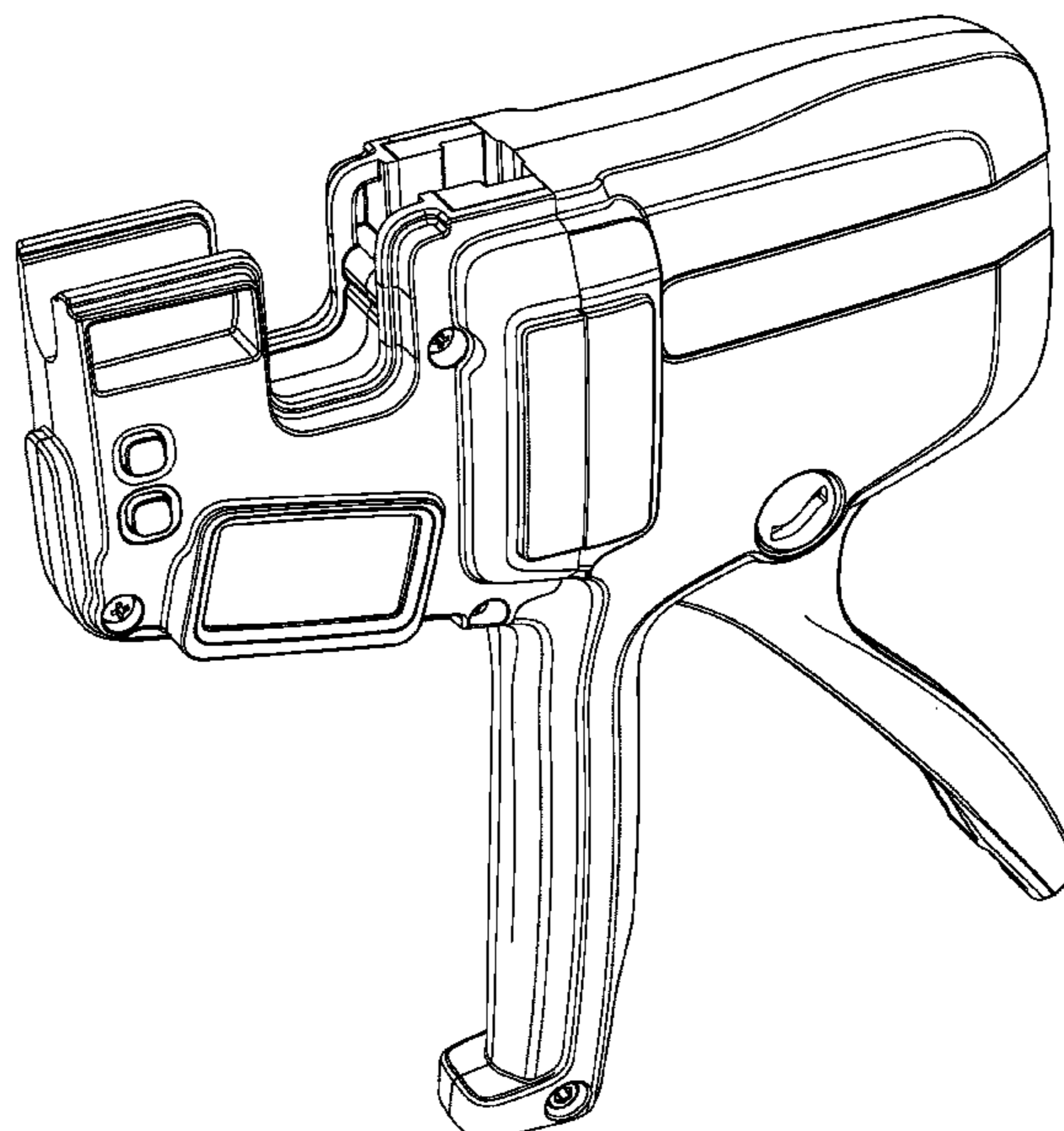
DESCRIPTION

U.S. PATENT DOCUMENTS

6,659,338 B1 12/2003 Dittmann et al.
6,947,866 B2 9/2005 Staab
6,968,639 B2 11/2005 Destoumieux
7,235,055 B2 6/2007 Pfistershammer
8,070,757 B2 12/2011 Eadie
D731,643 S * 6/2015 Bullington D24/117
D778,439 S * 2/2017 Hakansson D24/133
2003/0171766 A1* 9/2003 Cervi A61B 10/0233
606/184

FIG. 1 is a front left perspective view of a sampler device;
FIG. 2 is a front right perspective view of the sampler device;
FIG. 3 is a back right perspective view of the sampler device;
FIG. 4 is a bottom left perspective view of the sampler device;
FIG. 5 is a left side view of the sampler device;
FIG. 6 is a right side view of the sampler device;
FIG. 7 is a top view of the sampler device;
FIG. 8 is a bottom view of the sampler device;
FIG. 9 is a front view of the sampler device; and,
FIG. 10 is a back view of the sampler device.

1 Claim, 8 Drawing Sheets



(56)

References Cited

U.S. PATENT DOCUMENTS

2019/0110779 A1* 4/2019 Gardner A61B 90/96

FOREIGN PATENT DOCUMENTS

EP	1014861	B1	7/2008
EP	1781086	B1	7/2008
EP	2066170	A1	6/2009
EP	2066170	B1	7/2010
EP	2579782	A1	4/2013
EP	1014861	B2	4/2014
WO	1999012475	A1	3/1999
WO	2006000869	A2	1/2006
WO	2006000869	A3	4/2006
WO	2007013820	A1	2/2007
WO	2008037802	A1	4/2008
WO	2011154510	A1	4/2013
WO	2014196876	A1	12/2014
WO	2014196877	A1	12/2014
WO	2015056225	A1	4/2015
WO	2015056226	A1	4/2015
WO	2015056227	A1	4/2015
WO	2015056228	A1	4/2015
WO	2015056229	A1	4/2015
WO	2016107825	A1	7/2016

* cited by examiner

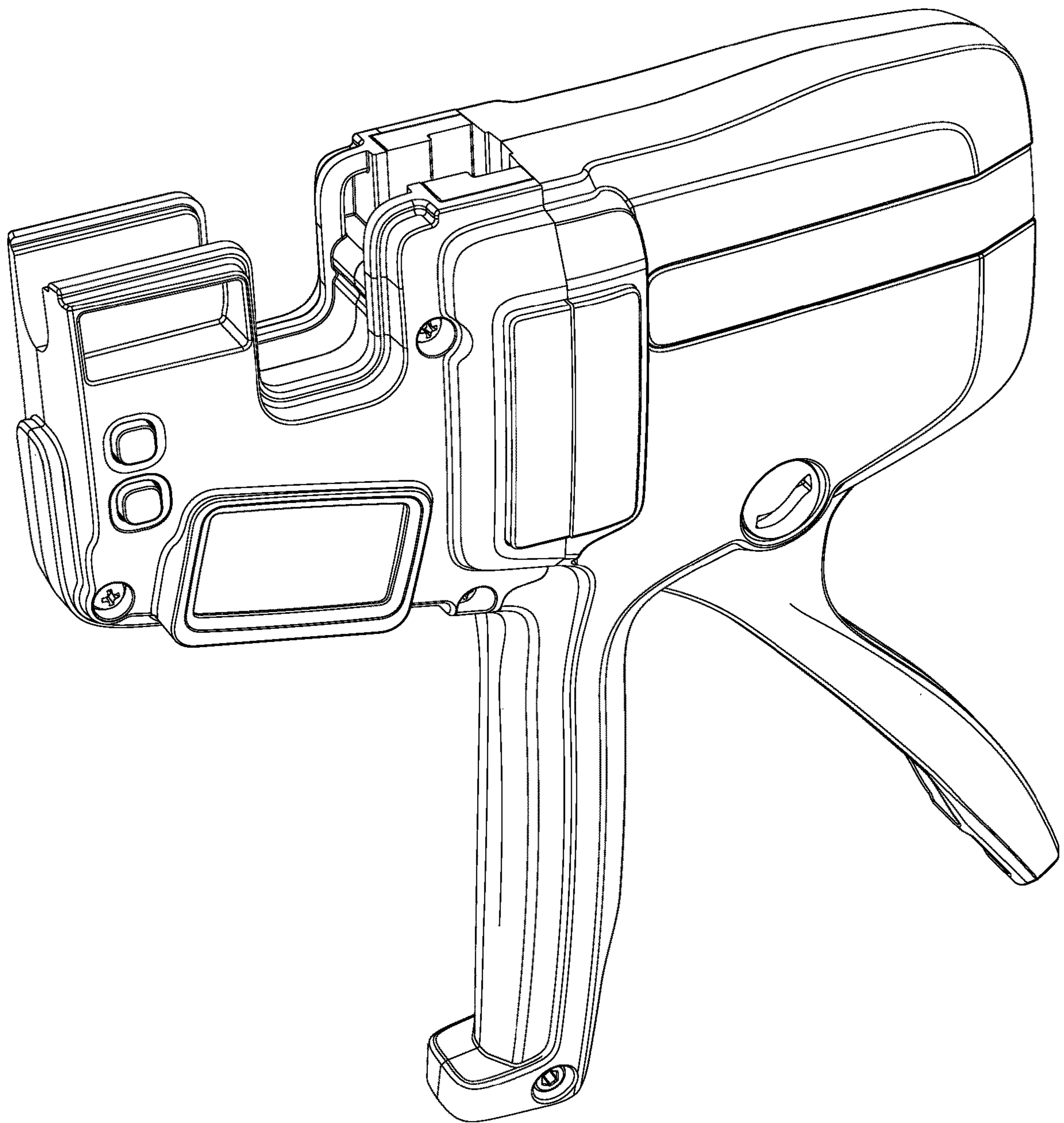


FIG. 1

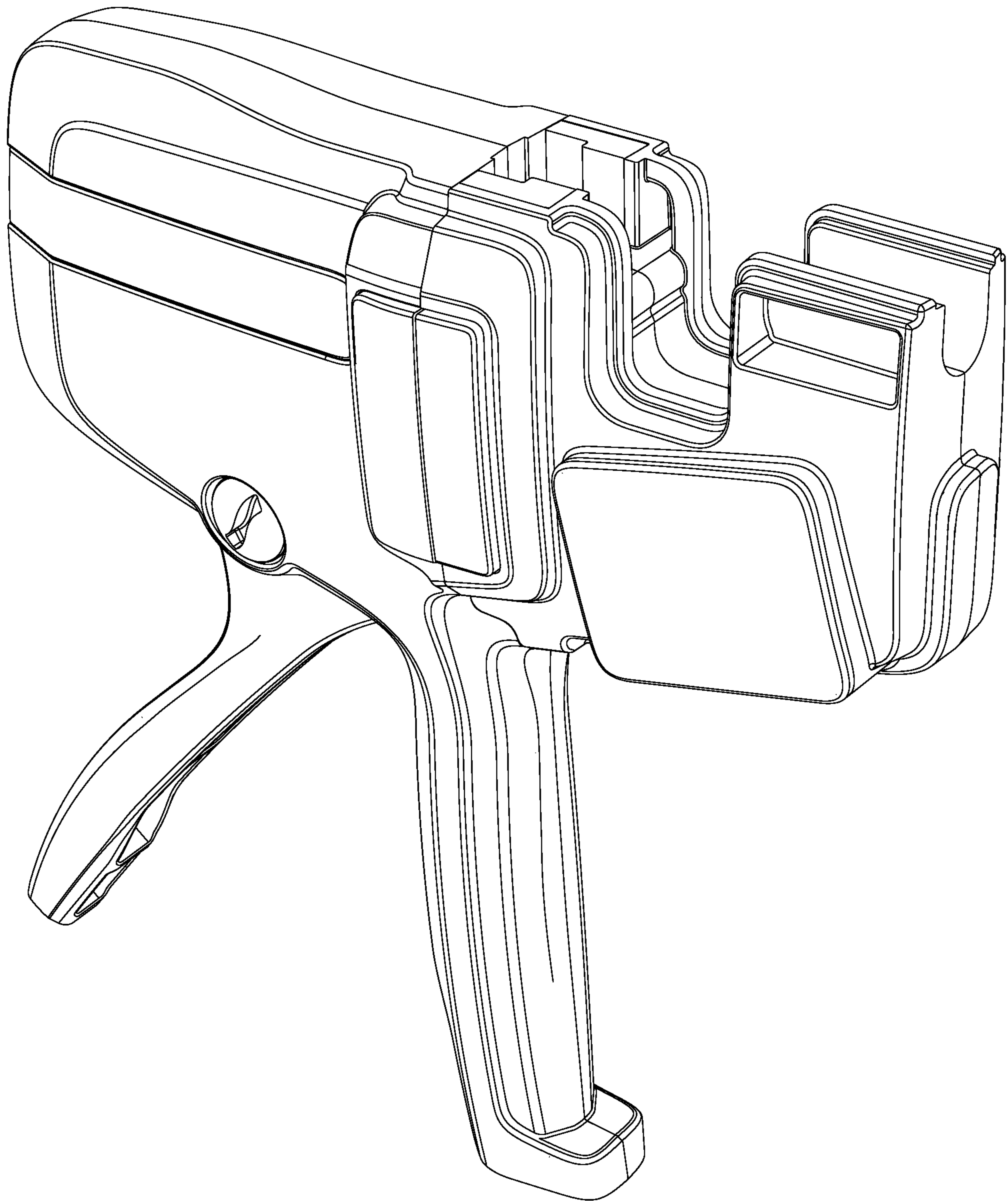


FIG. 2

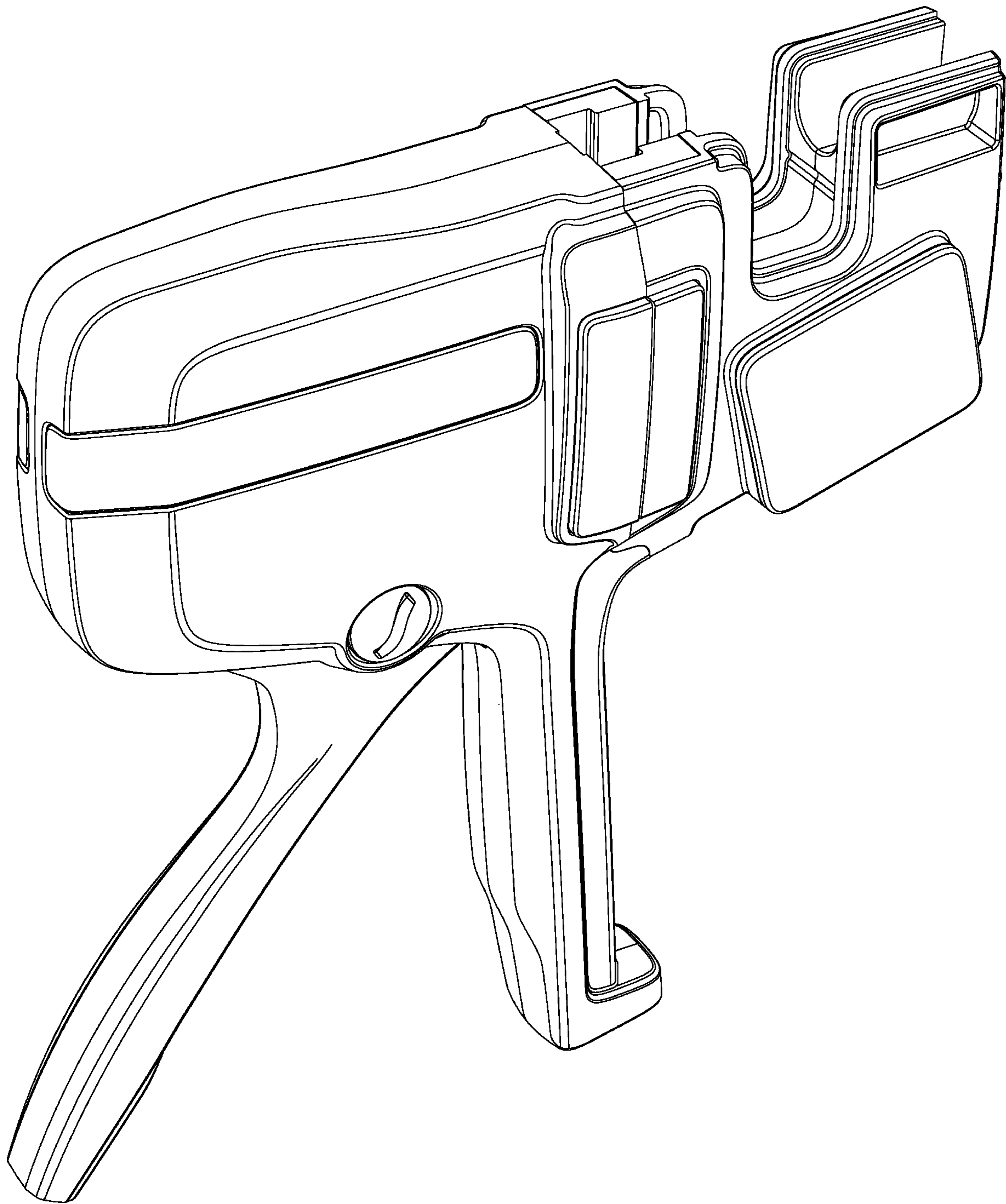


FIG. 3

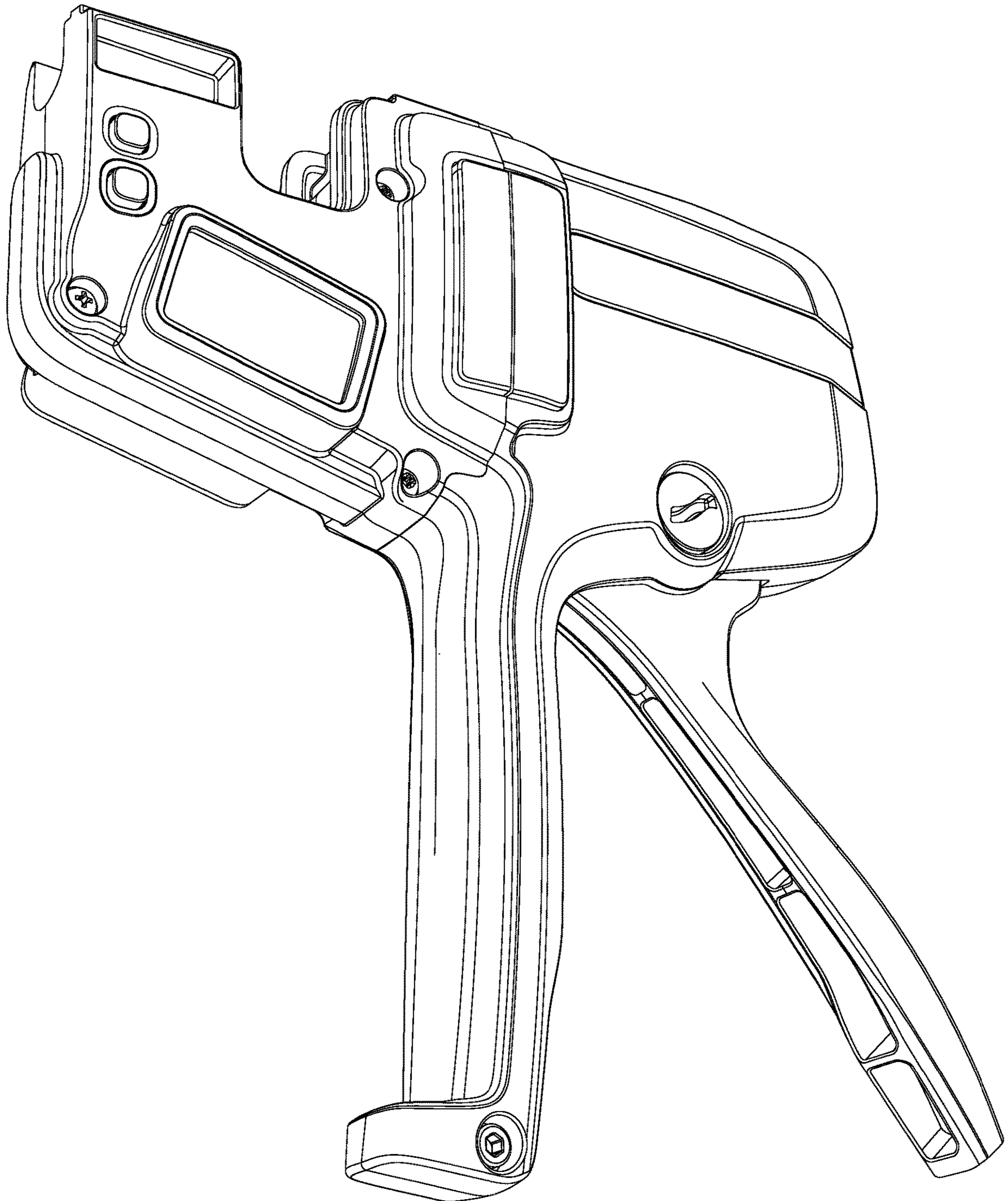


FIG. 4

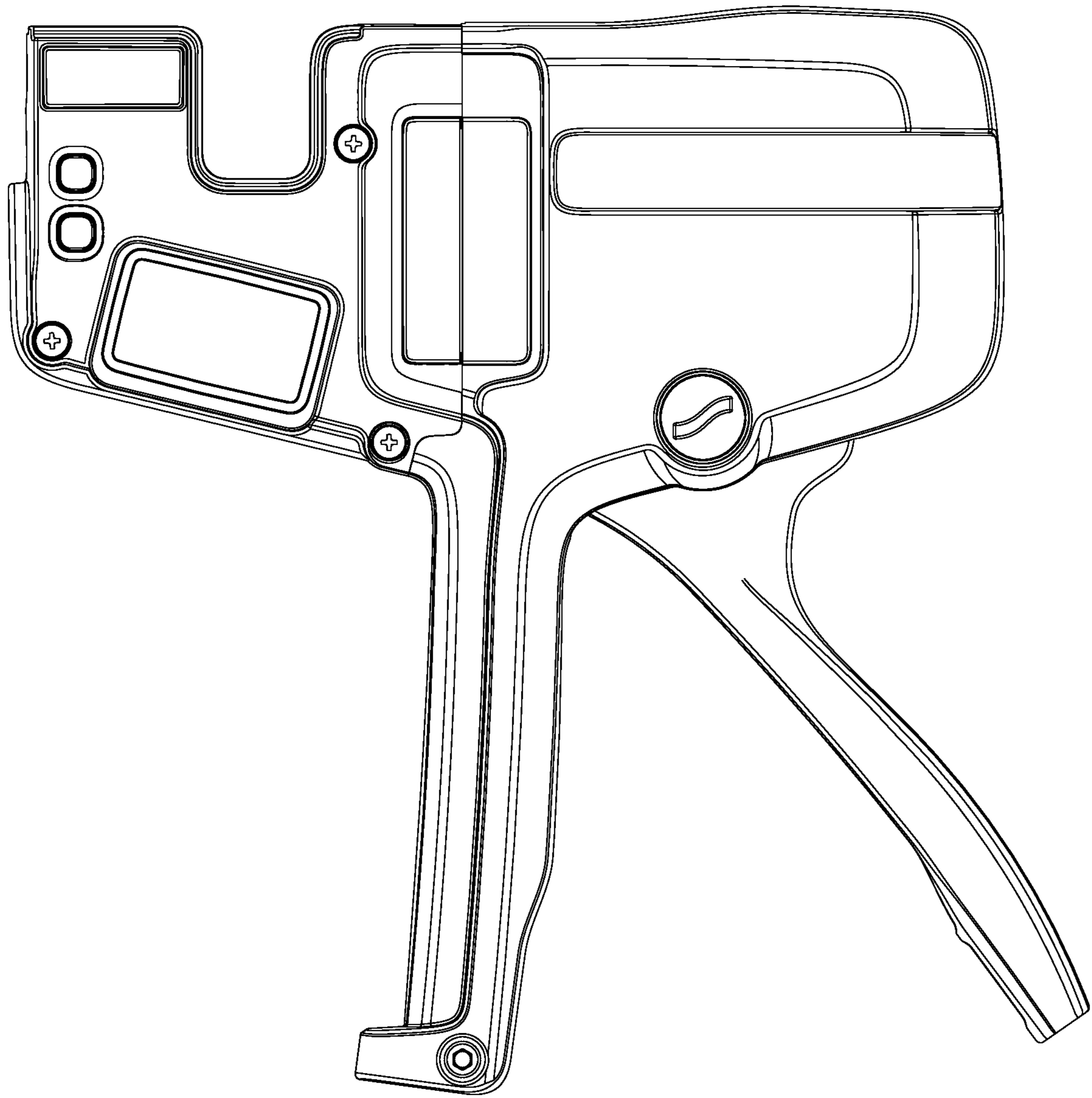


FIG. 5

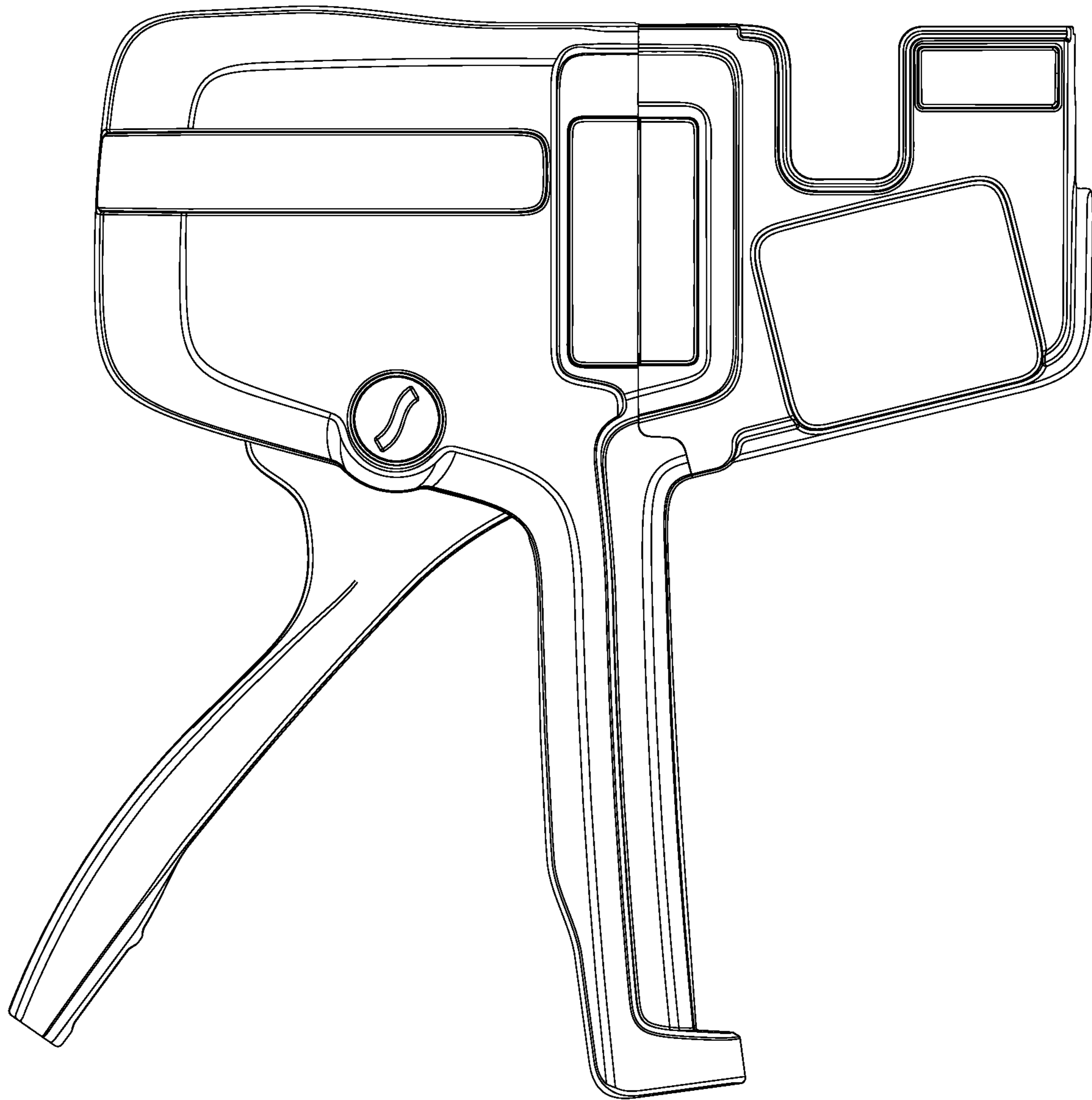


FIG. 6

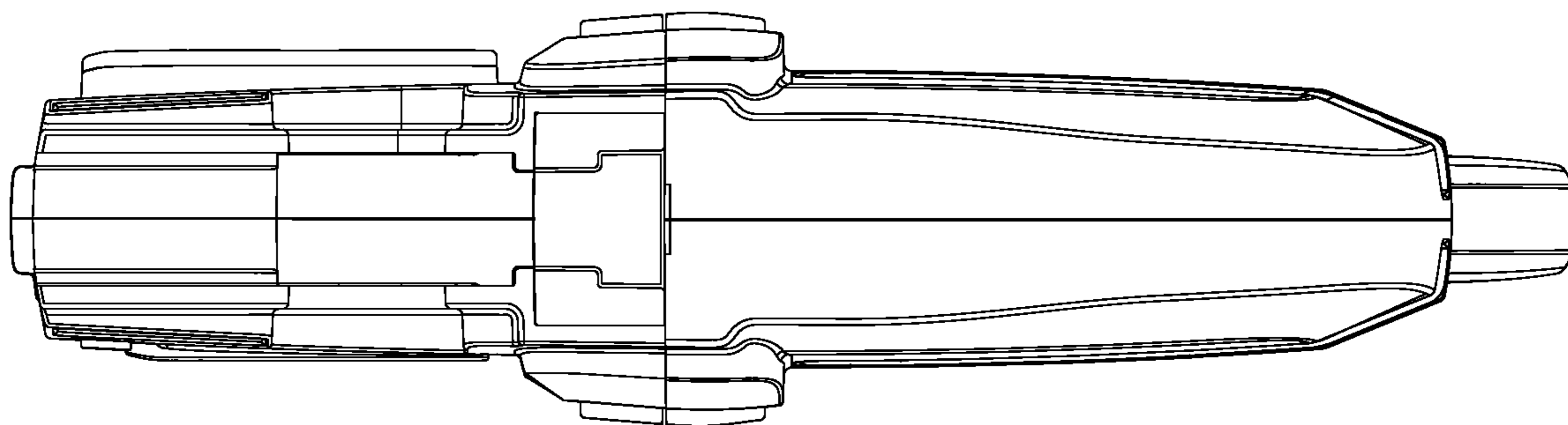


FIG. 7

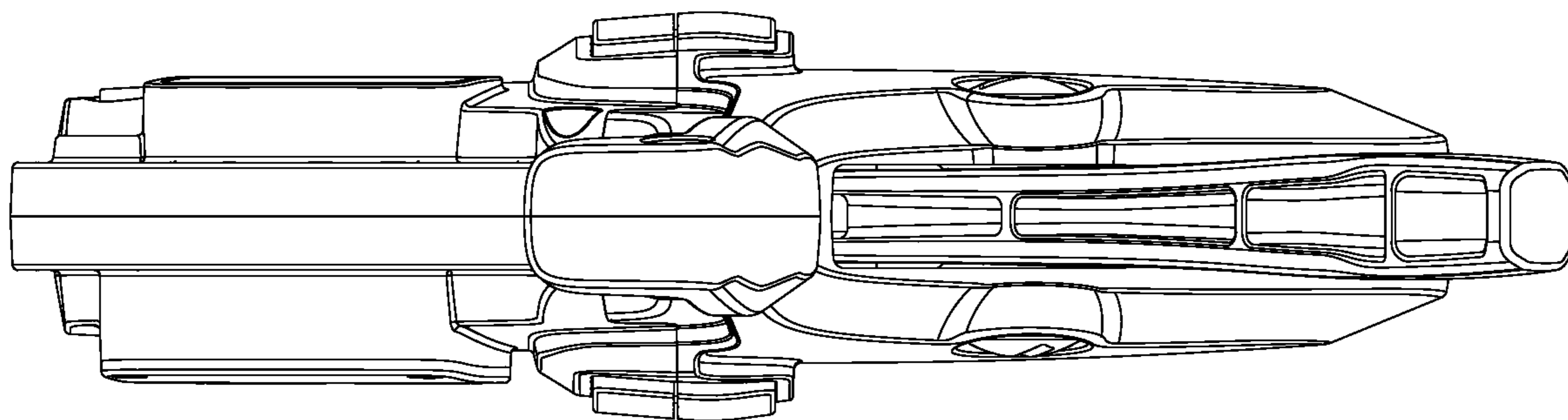


FIG. 8

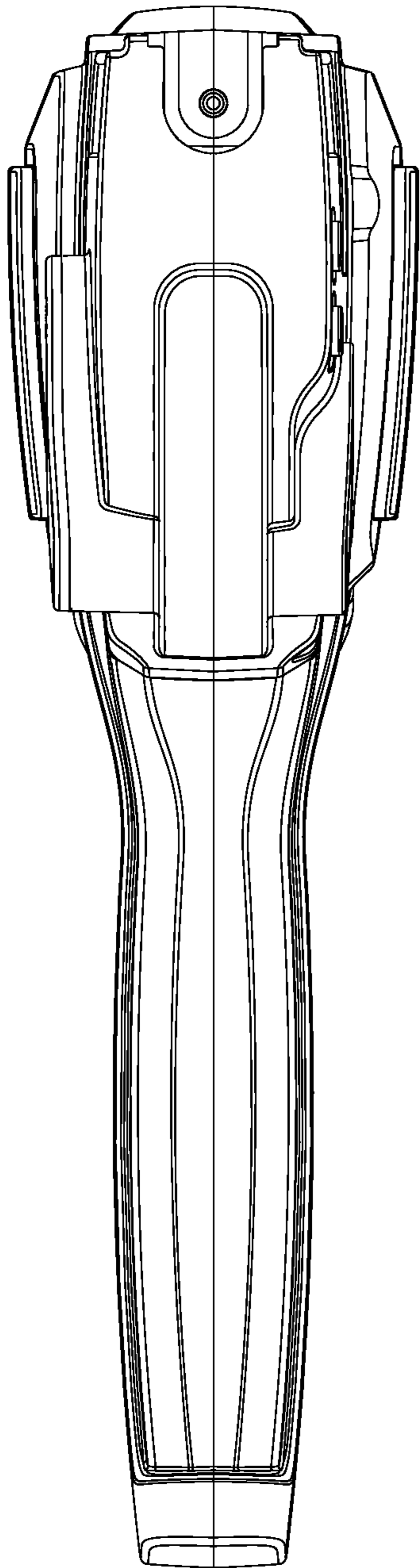


FIG. 9

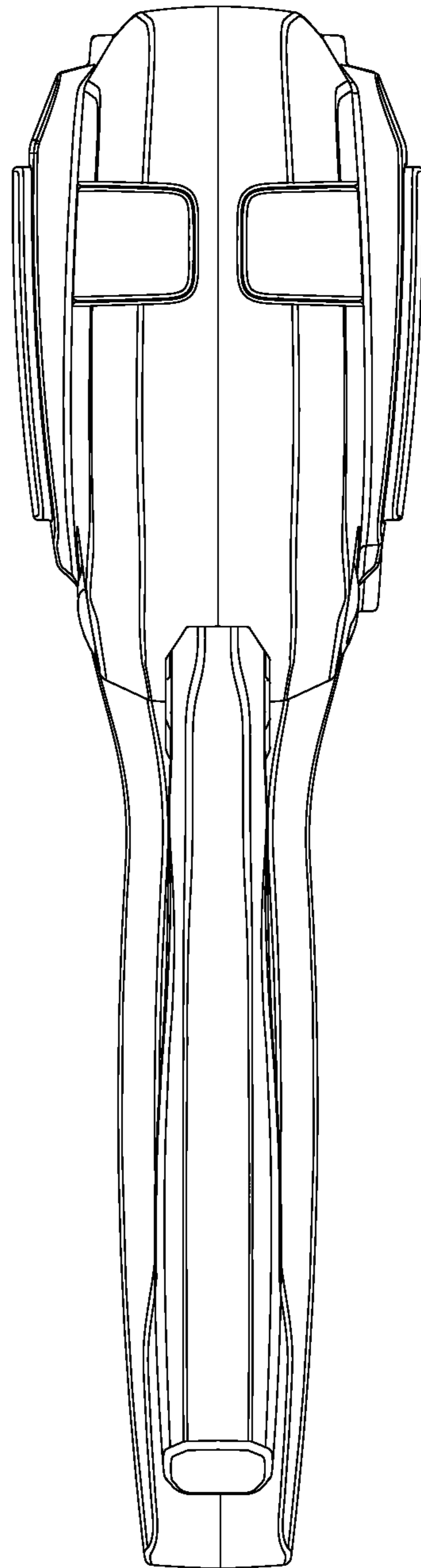


FIG. 10