



US00D869676S

(12) **United States Design Patent** (10) **Patent No.:** **US D869,676 S**
Norton et al. (45) **Date of Patent:** **** Dec. 10, 2019**

(54) **PARTICLE SORTING MODULE**
(71) Applicant: **Becton, Dickinson and Company,**
Franklin Lakes, NJ (US)
(72) Inventors: **Pierce O. Norton,** Los Gatos, CA (US);
Dennis F. Rey, Livermore, CA (US);
Jeannine K. Funderburk, Cupertino,
CA (US)
(73) Assignee: **Becton, Dickinson and Company,**
Franklin Lakes, NJ (US)

6,133,044 A 10/2000 Van den Engh
6,149,867 A 11/2000 Seidel et al.
6,263,745 B1 7/2001 Buchanan et al.
6,473,171 B1 10/2002 Buttry et al.
6,780,377 B2 8/2004 Hall et al.
6,890,487 B1 5/2005 Sklar et al.
6,947,136 B2 9/2005 Ortyn et al.
7,471,394 B2 12/2008 Padmanabhan et al.
7,553,453 B2 6/2009 Gu et al.
7,630,063 B2 12/2009 Padmanabhan et al.
7,777,869 B2 5/2010 Nerin et al.

(Continued)

FOREIGN PATENT DOCUMENTS

(**) Term: **15 Years**

EP 1815231 B1 9/2010
EP 1745275 B1 12/2017
EP 1846748 B1 9/2019

(21) Appl. No.: **29/635,385**

(22) Filed: **Jan. 30, 2018**

Primary Examiner — Anhdao Doan

(74) *Attorney, Agent, or Firm* — Edward J. Baba; Bret E. Field; Bozicevic, Field & Francis LLP

Related U.S. Application Data

(63) Continuation-in-part of application No. 15/472,020,
filed on Mar. 28, 2017.

(51) **LOC (12) Cl.** **24-01**

(52) **U.S. Cl.**
USPC **D24/216**

(58) **Field of Classification Search**
USPC D24/107, 185, 186, 216, 231–234, 108,
D24/128, 227; D10/81
CPC G01N 15/1436; G01N 21/05; G01N
21/6428; G01N 2015/1006; G01N
2015/149; G01N 2015/1452; G01N
2021/6439; B01L 2200/0652
See application file for complete search history.

(57) **CLAIM**

The ornamental design for a particle sorting module, as shown and described.

DESCRIPTION

FIG. 1 is a front view of a particle sorting module;
FIG. 2 is a back view of the particle sorting module;
FIG. 3 is a first side view of the particle sorting module;
FIG. 4 is a second side view of the particle sorting module;
FIG. 5 is a top view of the particle sorting module;
FIG. 6 is a bottom view of the particle sorting module;
FIG. 7 is a back perspective view of the particle sorting module; and,
FIG. 8 is a front perspective view of the particle sorting module.

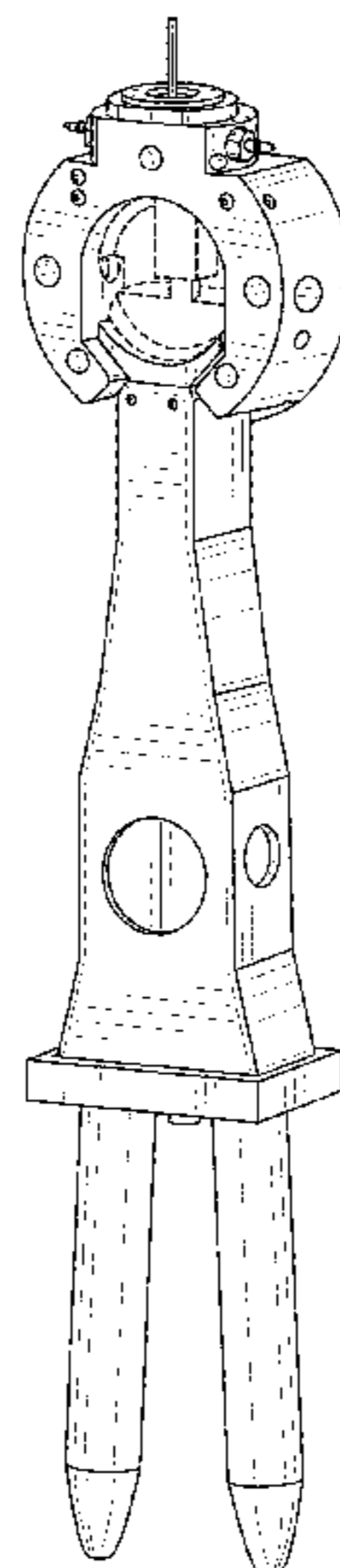
The broken lines illustrate portions of the particle sorting module that form no part of the claimed design; the broken lines form no part of the claimed design.

(56) **References Cited**

U.S. PATENT DOCUMENTS

D339,194 S * 9/1993 Telang D24/108
5,552,885 A 9/1996 Steen
5,641,457 A 6/1997 Vardanega et al.
5,776,781 A 7/1998 Vardanega et al.

1 Claim, 7 Drawing Sheets



(56)

References Cited

U.S. PATENT DOCUMENTS

7,760,351 B2	7/2010	Cox et al.	9,040,304 B2	5/2015	Durack et al.
7,884,301 B2	2/2011	Kirstein et al.	9,162,229 B2	10/2015	Gaskill-fox et al.
7,911,617 B2	3/2011	Padmanabhan et al.	9,339,850 B2	5/2016	Deshpande et al.
7,978,329 B2	7/2011	Padmanabhan et al.	9,556,413 B2	1/2017	Venter et al.
8,004,661 B2	8/2011	Luscher	9,784,659 B2	10/2017	Tanase et al.
8,062,609 B2	11/2011	Krager et al.	D802,150 S *	11/2017	Lund D24/186
8,182,767 B2	5/2012	Padmanabhan et al.	9,823,252 B2	11/2017	Gilbert et al.
8,277,764 B2	10/2012	Gilbert et al.	9,857,286 B2	1/2018	Muraki et al.
8,323,564 B2	12/2012	Padmanabhan et al.	2004/0025602 A1 *	2/2004	Norton G01N 15/1459
D676,567 S *	2/2013	van den Engh D24/216			73/863.21
8,445,286 B2	5/2013	Bair et al.	2004/0062685 A1 *	4/2004	Norton G01N 15/14
8,610,892 B2	12/2013	Sharpe et al.			422/81
8,637,318 B2	1/2014	Durack et al.	2011/0217723 A1 *	9/2011	Durack C12N 5/0612
8,795,500 B2 *	8/2014	Shinoda B01L 3/0268			435/29
		204/600	2011/0271746 A1 *	11/2011	Shinoda B01L 3/0268
					73/61.71
8,821,791 B2	9/2014	Shibata et al.	2011/0284378 A1 *	11/2011	Shinoda B01L 3/0268
D715,925 S *	10/2014	Suzuki D24/128			204/603
D717,438 S *	11/2014	Lin D24/216	2017/0299493 A1 *	10/2017	Norton G01N 15/1436

* cited by examiner

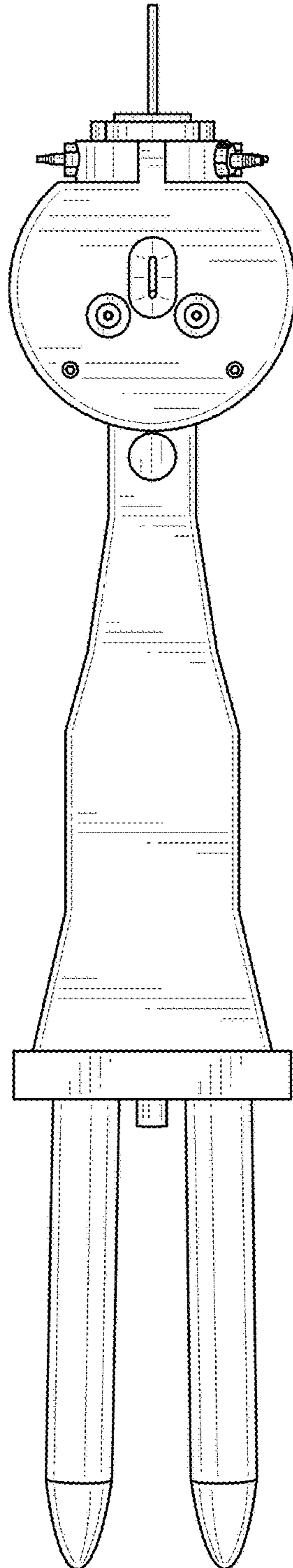


FIG. 1

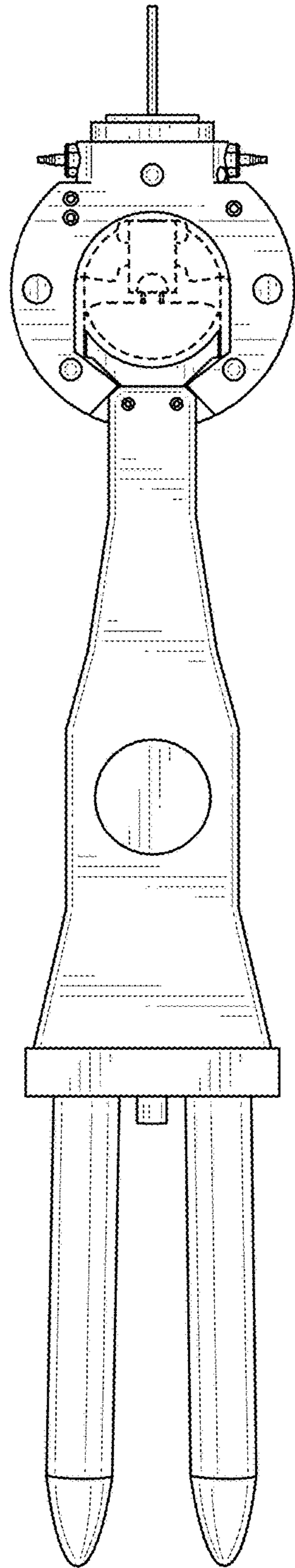


FIG. 2

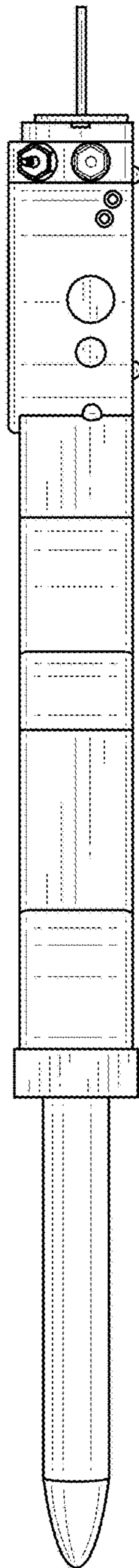


FIG. 3

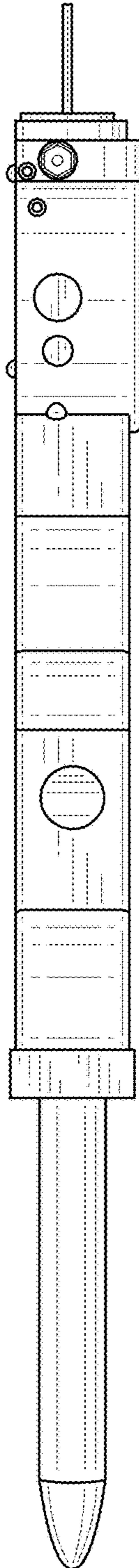


FIG. 4

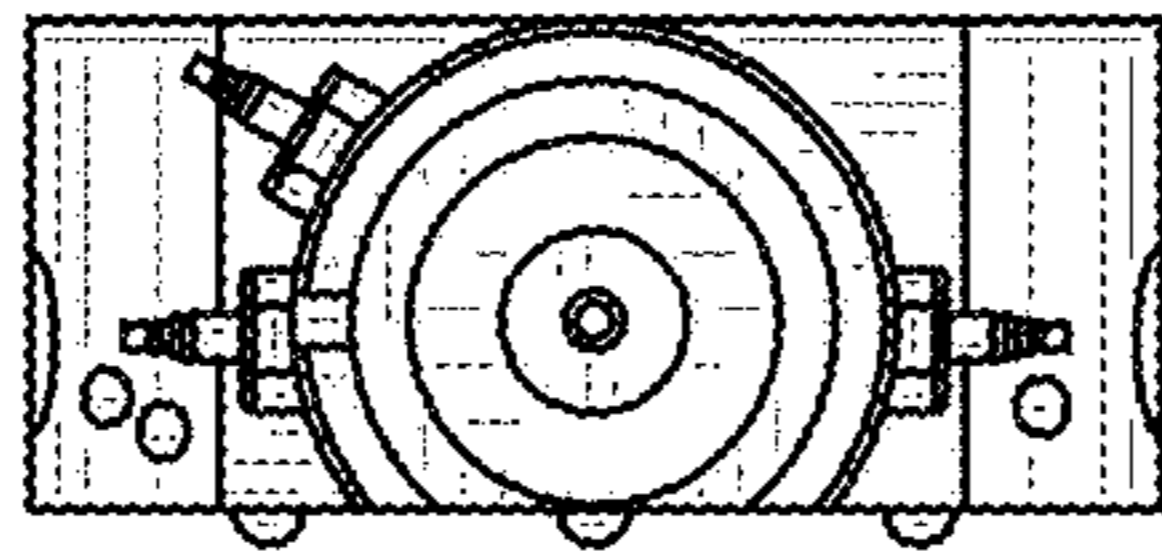


FIG. 5

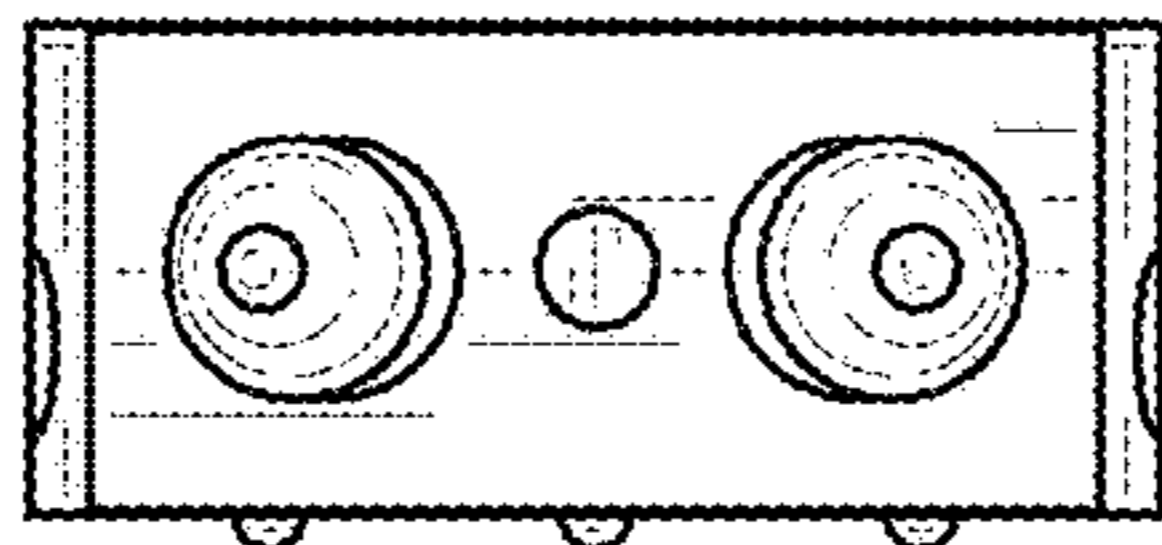


FIG. 6

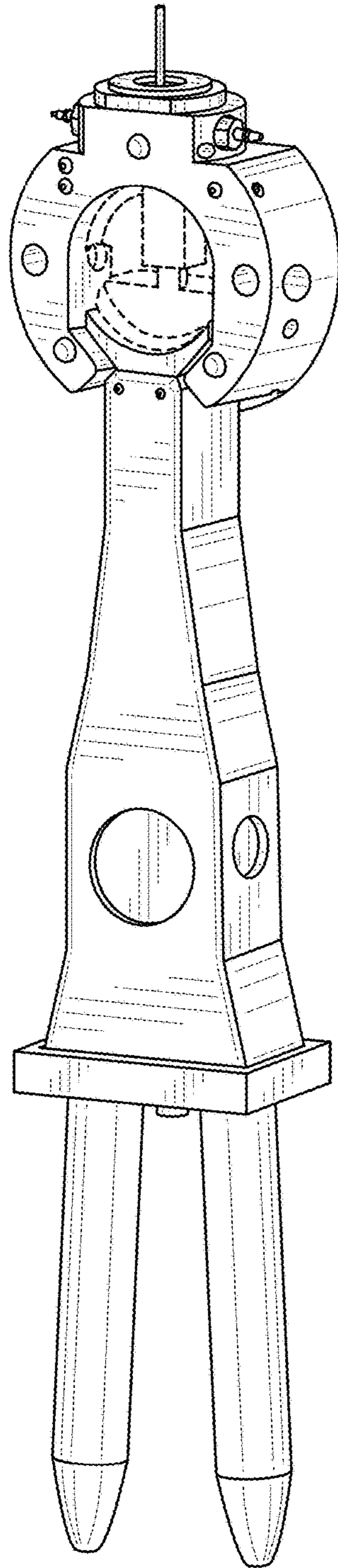


FIG. 7

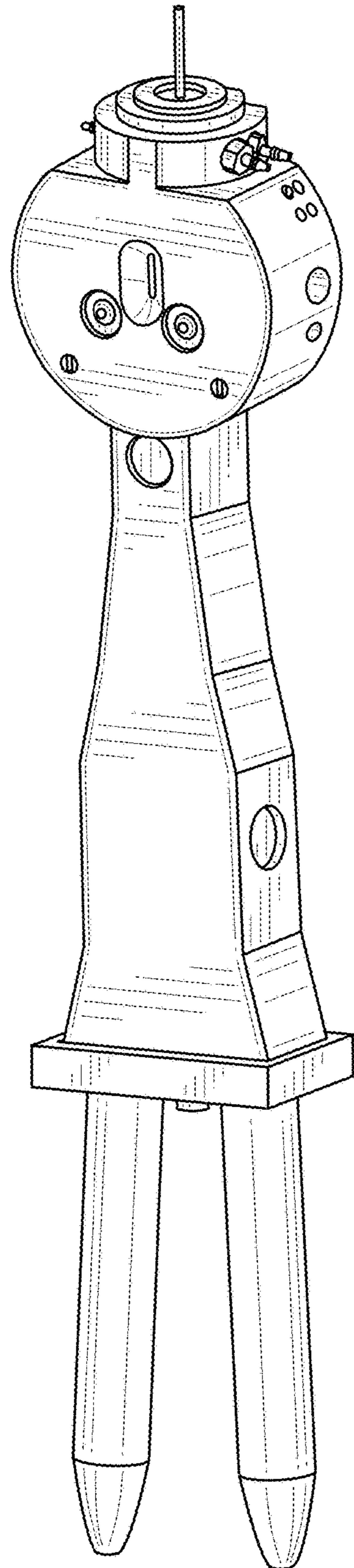


FIG. 8