

US00D869674S

(12) **United States Design Patent** (10) **Patent No.:** **US D869,674 S**
Cheng (45) **Date of Patent:** **** Dec. 10, 2019**

(54) **MESSAGE NAIL**
(71) Applicant: **Ningbo Baiji I&E Co., Ltd**, Ningbo, Zhejiang Province (CN)
(72) Inventor: **Xia Cheng**, Ningbo (CN)
(73) Assignee: **Ningbo Baiji I&E Co., Ltd** (CN)
(**) Term: **15 Years**
(21) Appl. No.: **29/669,273**
(22) Filed: **Nov. 7, 2018**

D307,475 S * 4/1990 Bomkamp D24/211
D308,098 S * 5/1990 Lievonen D24/211
D339,638 S * 9/1993 Bucher D24/212
D344,137 S * 2/1994 Yoo D24/200
D344,591 S * 2/1994 Zhuang D24/211
D349,576 S * 8/1994 Heiligenstein D24/200
D349,771 S * 8/1994 Heiligenstein D24/200
D359,359 S * 6/1995 Robertson D24/211
D360,696 S * 7/1995 Chien-Chung D24/212
D361,132 S * 8/1995 Lee D24/200
D361,386 S * 8/1995 Vandenbelt D24/211
D435,295 S * 12/2000 Yoo D24/200
D435,660 S * 12/2000 Yoo D24/211
D478,947 S * 8/2003 Lu D21/662
6,991,600 B1 * 1/2006 Wang A61F 5/41
600/38

(Continued)

(30) **Foreign Application Priority Data**

Jul. 3, 2018 (CN) 2018 3 0350411
(51) **LOC (12) Cl.** **28-03**
(52) **U.S. Cl.**
USPC **D24/214**
(58) **Field of Classification Search**
USPC 601/15, 18, 19, 27, 28, 29, 30, 31, 32, 601/46, 47, 48, 52, 72, 99, 112, 113, 118, 601/135, 137, DIG. 12, DIG. 14, DIG. 15, 601/DIG. 16, DIG. 17; D24/133, 141, D24/143, 200, 211, 212, 213, 214, 215; D30/160; 600/38, 39, 40, 41; D4/127, D4/130
CPC A61H 7/007; A61H 15/00; A61H 19/44; A61H 39/04
See application file for complete search history.

(56) **References Cited**

U.S. PATENT DOCUMENTS

1,969,042 A * 8/1934 Senn A61H 15/0092
601/19
D164,207 S * 8/1951 Teague D24/211
D245,856 S * 9/1977 Grube D23/223
D245,857 S * 9/1977 Grube D23/223
D260,928 S * 9/1981 Gueret D24/211
D273,708 S * 5/1984 Haug D23/214

OTHER PUBLICATIONS

Amazon, "Back Massager Mat Pillow Set", Feb. 15, 2019. https://www.amazon.com/Back-Massager-Mat-Pillow-Set/dp/B07L23DLNC/ref=cm_cr_ar_p_d_product_top?ie=UTF8. Shown on p. 1. (Year: 2019).*

Primary Examiner — Cynthia Ramirez
Assistant Examiner — Michael A Maharajh
(74) *Attorney, Agent, or Firm* — Forge IP, PLLC

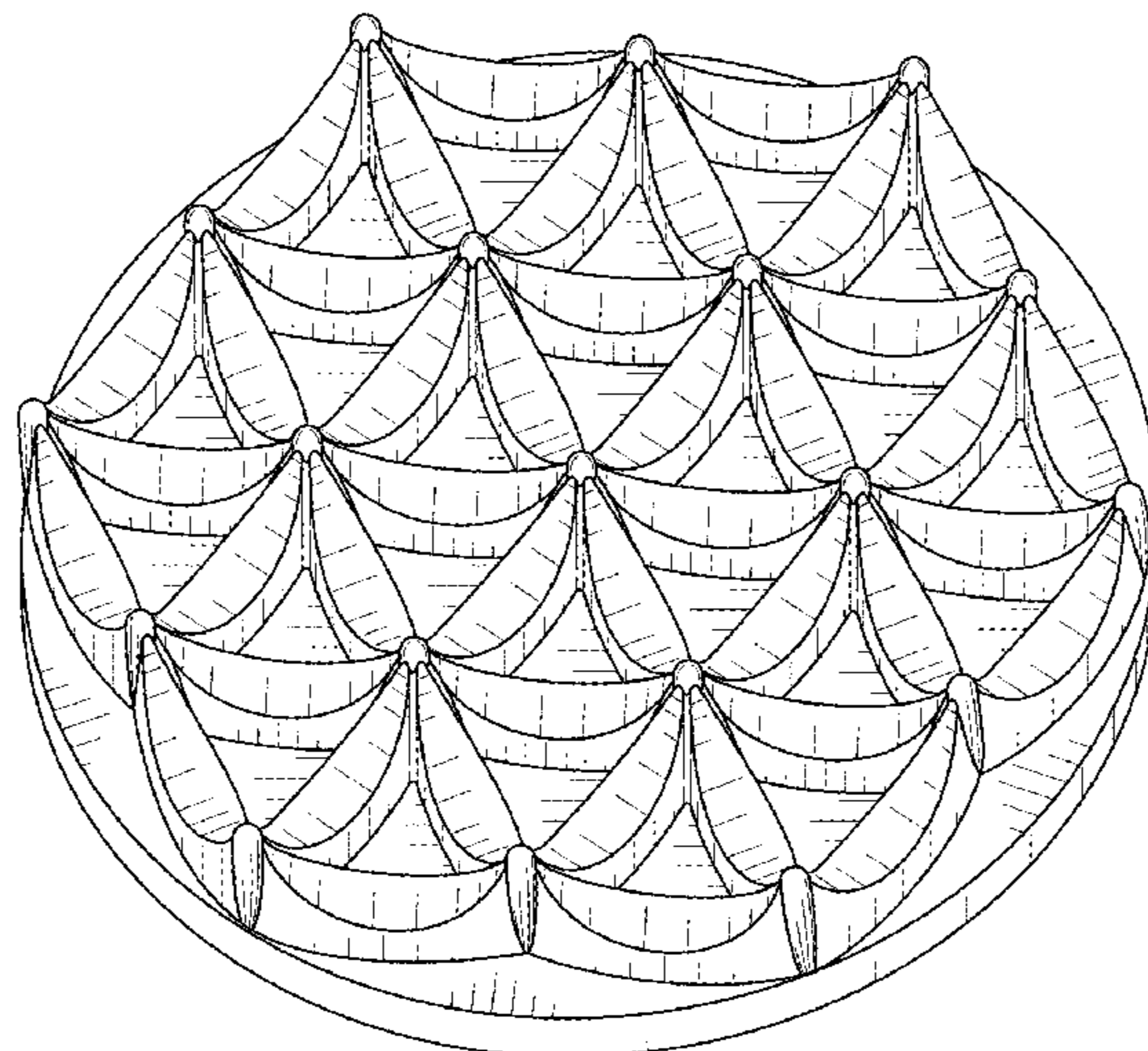
(57) **CLAIM**

The ornamental design for a massage nail, as shown and described.

DESCRIPTION

FIG. 1 is a perspective view of a massage nail showing my new design;
FIG. 2 is a front view thereof;
FIG. 3 is a rear view thereof;
FIG. 4 is a left view thereof;
FIG. 5 is a right view thereof;
FIG. 6 is a top view thereof; and,
FIG. 7 is a bottom view thereof.

1 Claim, 5 Drawing Sheets



(56)

References Cited

U.S. PATENT DOCUMENTS

D523,962 S *	6/2006	Huang	D24/214	D848,011 S *	5/2019	Champeval	D24/215
D677,440 S *	3/2013	Renforth	D30/160	D849,263 S *	5/2019	Soutelo Gomes	D24/215
D712,058 S *	8/2014	Huang	D24/215	D853,056 S *	7/2019	Loibl	D30/160
D721,421 S *	1/2015	Hawkins	D23/223	D860,469 S *	9/2019	Wattu	D24/211
D739,544 S *	9/2015	Xia	D24/215	2004/0204665 A1 *	10/2004	Chu	A61H 7/001
D763,519 S *	8/2016	Anderson	D21/623					601/134
D764,179 S *	8/2016	Odunsi	D4/130	2006/0089578 A1 *	4/2006	Hsu	A61H 15/00
D773,064 S *	11/2016	Sedic	D24/214					601/118
D778,065 S *	2/2017	Kern	A47K 7/043	2006/0241537 A1 *	10/2006	Liu	A61H 15/0092
				D4/127					601/118
D782,197 S *	3/2017	Kern	D4/127	2007/0232970 A1 *	10/2007	Kyoji	A61H 7/001
D800,330 S *	10/2017	Loos	D24/211					601/118
D816,342 S *	5/2018	Tai	D4/100	2008/0108484 A1 *	5/2008	Wu	A61H 15/0092
D825,771 S *	8/2018	Park	D24/215					482/122
D829,445 S *	10/2018	Kern	D4/127	2013/0131562 A1 *	5/2013	Wu	A61H 7/007
D837,994 S *	1/2019	Sedic	D24/214					601/112
D838,376 S *	1/2019	Liu	D24/211	2015/0005683 A1 *	1/2015	Balducci	A61H 15/00
D844,163 S *	3/2019	Du	D24/215					601/134
					2016/0008215 A1 *	1/2016	Pfeiffer	A61H 23/02
									600/38

* cited by examiner

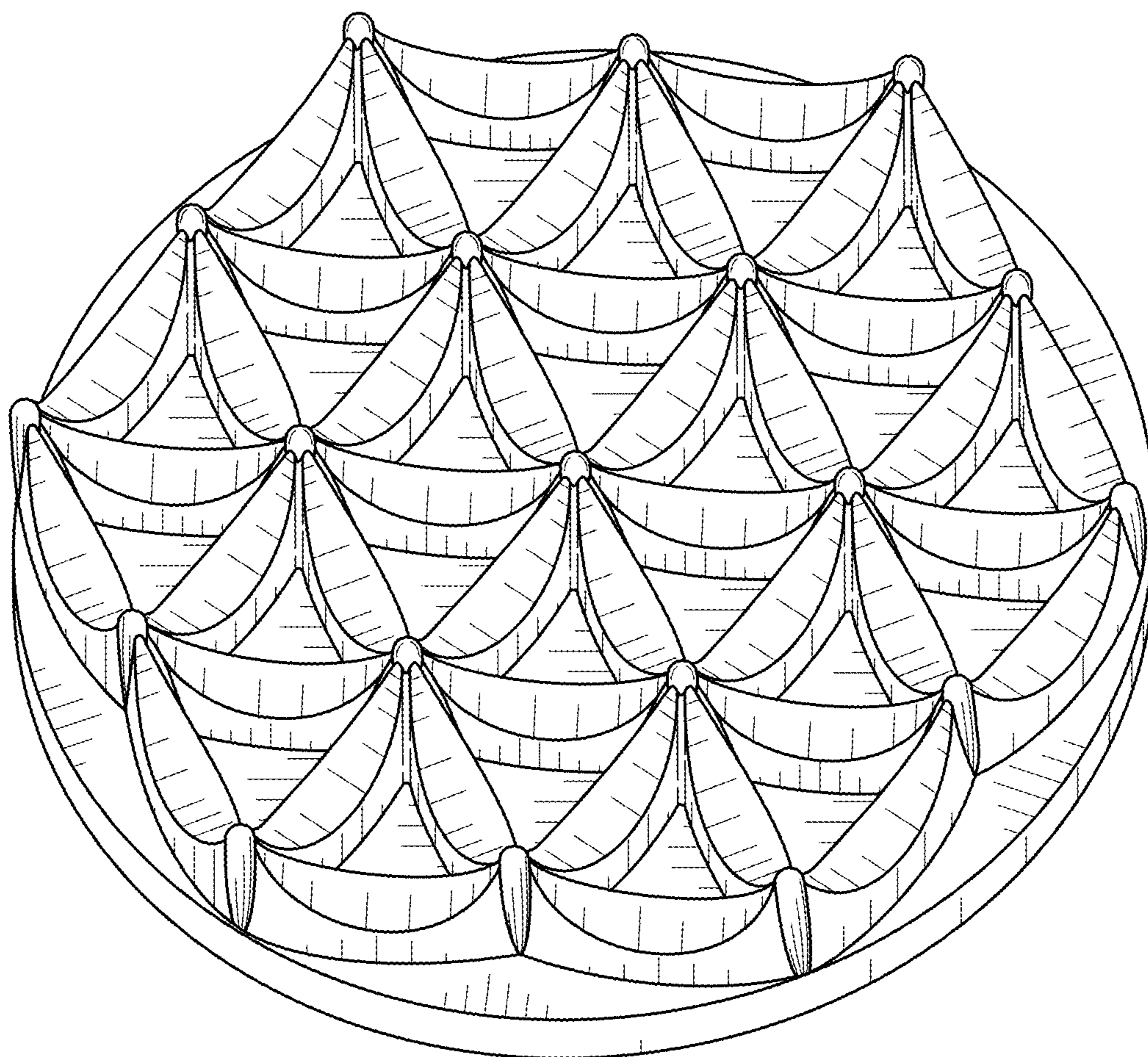


FIG. 1

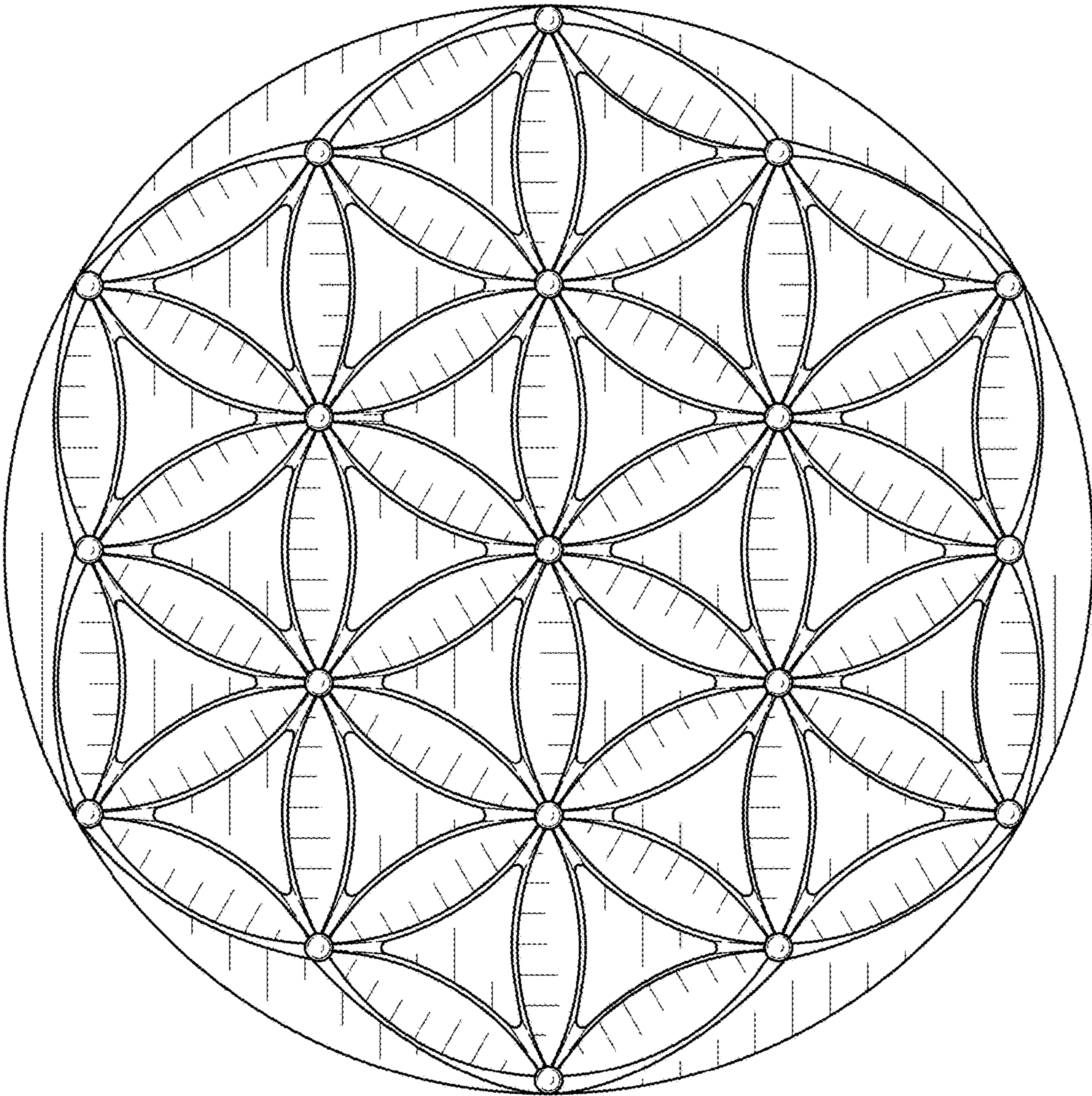


FIG. 2

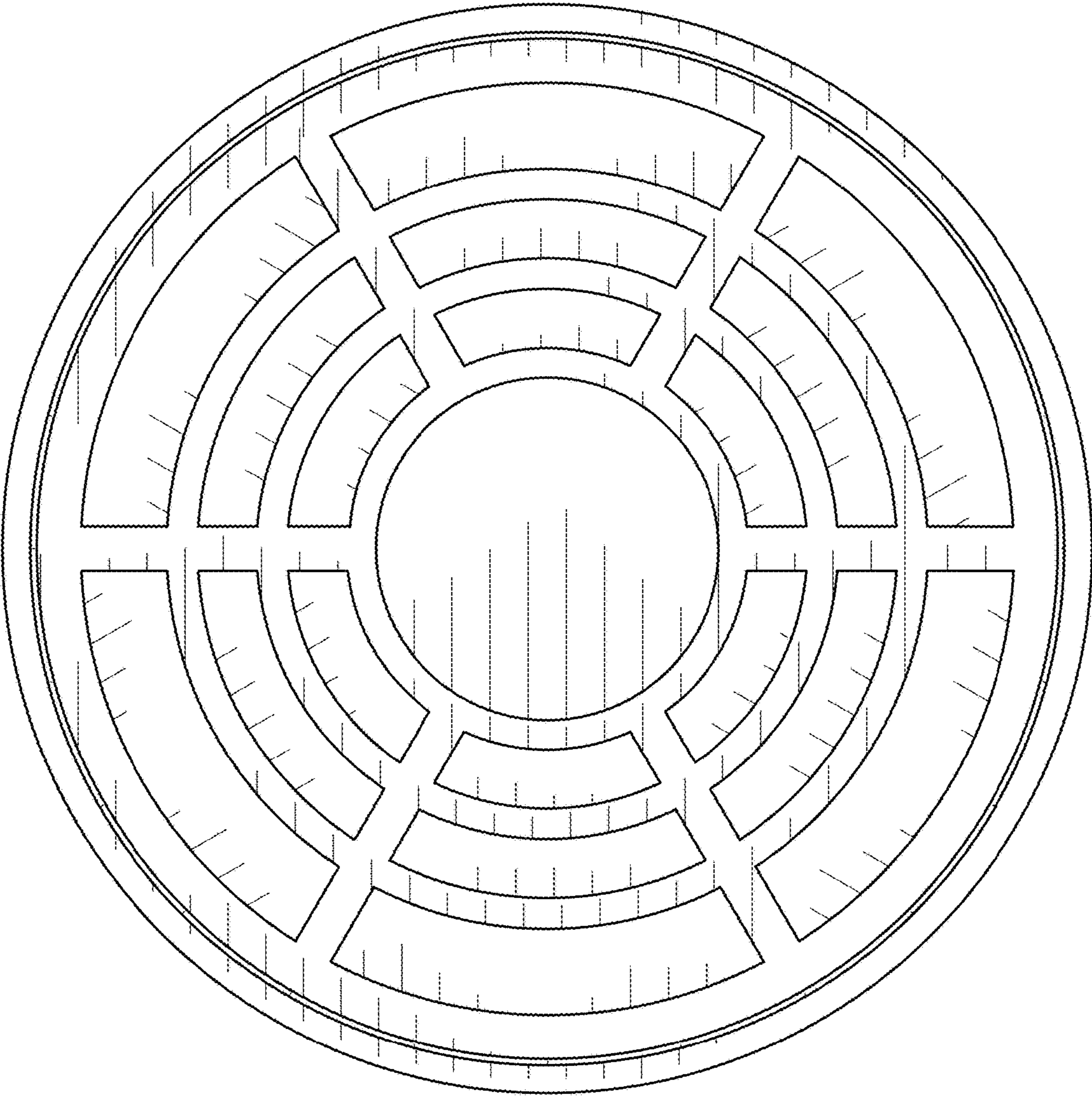


FIG. 3

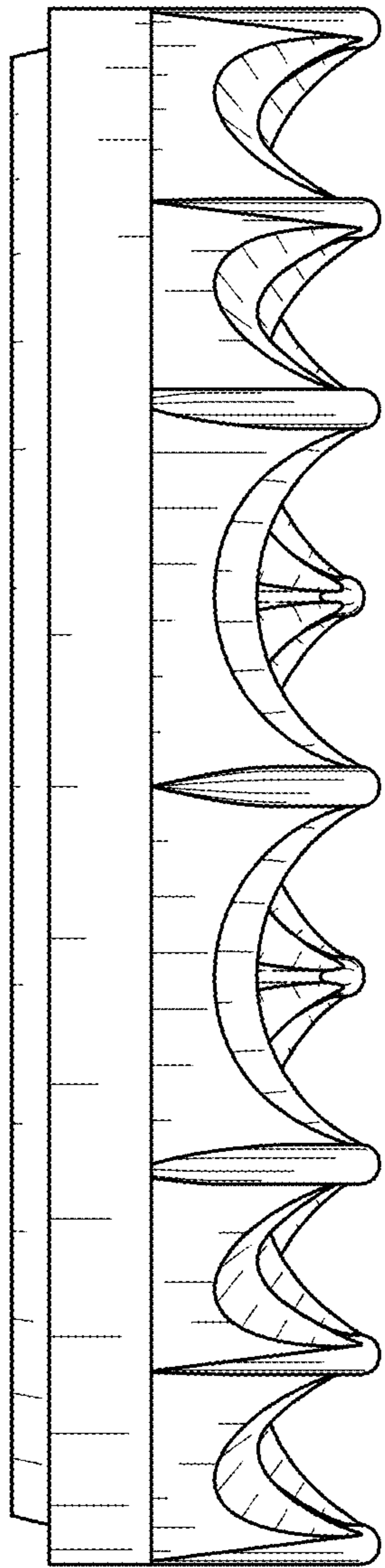


FIG. 4

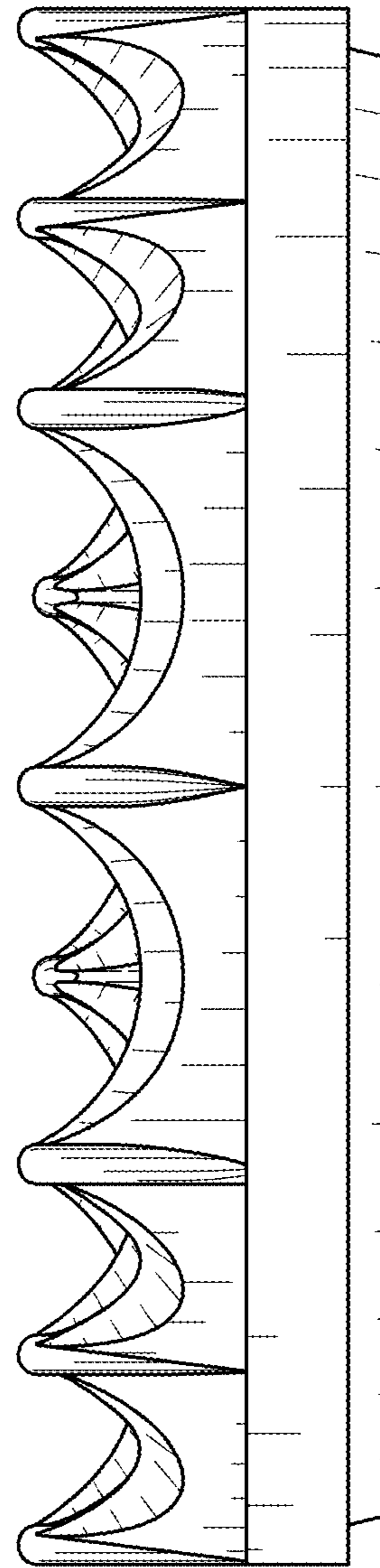


FIG. 5

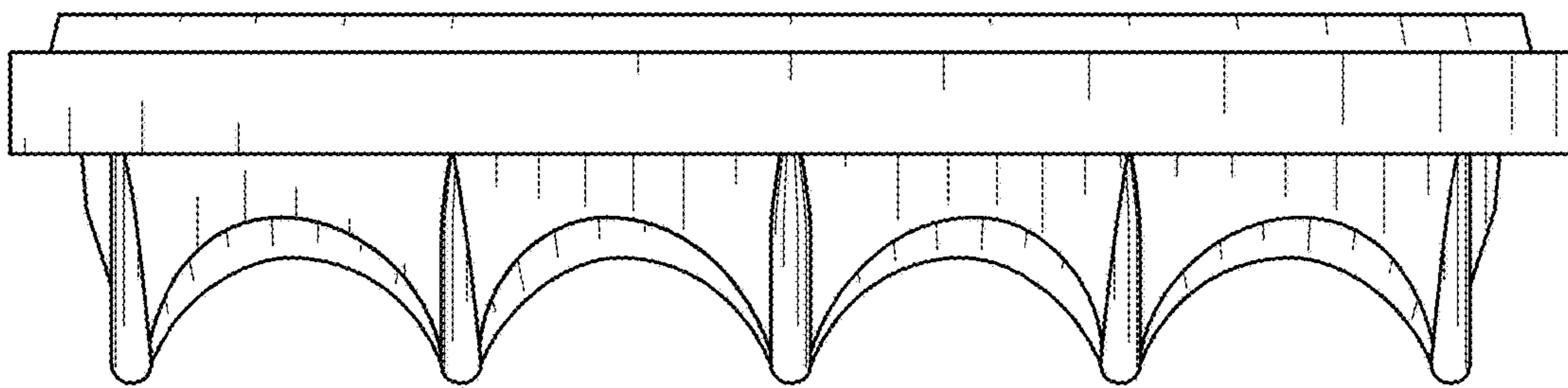


FIG. 6

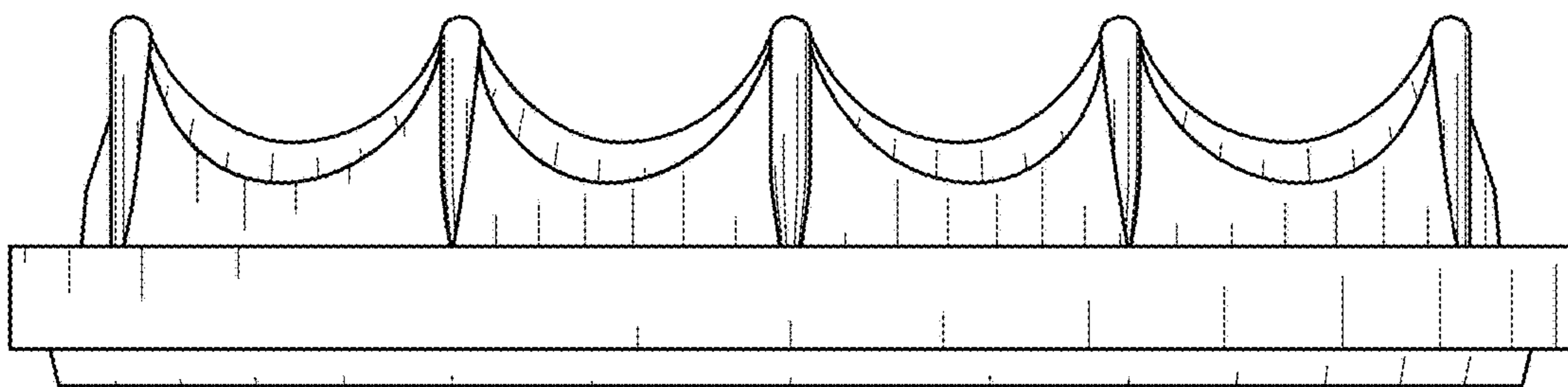


FIG. 7