

US00D869673S

(12) **United States Design Patent**  
**Chen**

(10) **Patent No.:** **US D869,673 S**

(45) **Date of Patent:** **\*\* Dec. 10, 2019**

(54) **BALL MASSAGE STICK**  
(71) Applicant: **Zongjie Chen**, Nantong (CN)  
(72) Inventor: **Zongjie Chen**, Nantong (CN)  
(\*\*) Term: **15 Years**  
(21) Appl. No.: **29/657,828**  
(22) Filed: **Jul. 25, 2018**

(30) **Foreign Application Priority Data**

Jun. 29, 2018 (CN) ..... 2018 3 0342279

(51) **LOC (12) Cl.** ..... **28-03**

(52) **U.S. Cl.**  
USPC ..... **D24/211**

(58) **Field of Classification Search**  
USPC ..... 601/15, 18, 19, 46, 47, 48, 52, 99, 112,  
601/113, 118, 125, 129, 134, 135, 137,  
601/DIG. 12, DIG. 14, DIG. 15, DIG. 16,  
601/DIG. 17; D24/133, 200, 211, 212,  
D24/213, 214, 215; 600/38, 39, 40, 41;  
D30/160

CPC .... A61H 39/06; A61H 7/005; A61H 15/0092;  
A61N 2/002; A45D 26/0028

See application file for complete search history.

(56) **References Cited**

**U.S. PATENT DOCUMENTS**

4,126,128 A \* 11/1978 Takahashi ..... 601/19  
D279,126 S \* 6/1985 Kaeser ..... D24/211  
D281,625 S \* 12/1985 Yuen ..... D24/211  
D315,958 S \* 4/1991 Castel ..... D24/214  
D329,291 S \* 9/1992 Wollman ..... D24/200  
D329,292 S \* 9/1992 Wollman ..... D24/200  
D331,288 S \* 11/1992 Yuen ..... D24/200  
D333,351 S \* 2/1993 Tsou ..... D24/206  
5,187,827 A \* 2/1993 Wei ..... A46B 13/06  
15/22.1

D334,430 S \* 3/1993 Tsou ..... D24/214  
D339,198 S \* 9/1993 Mochida ..... D24/211  
D349,576 S \* 8/1994 Heiligenstein ..... D24/200  
D349,771 S \* 8/1994 Heiligenstein ..... D24/200  
D422,365 S \* 4/2000 Chen ..... D24/211  
D435,110 S \* 12/2000 Chen ..... D24/211  
6,176,841 B1 \* 1/2001 Tso ..... A61H 15/0092  
601/129  
D438,308 S \* 2/2001 Harris ..... D24/214  
D445,196 S \* 7/2001 Gladieux, III ..... D24/211  
D445,508 S \* 7/2001 Gladieux, III ..... D24/211  
D468,829 S \* 1/2003 Chen ..... D24/211  
D497,208 S \* 10/2004 Longoria ..... D23/223  
7,169,120 B2 \* 1/2007 Murdock ..... A61H 15/0092  
601/129  
7,465,296 B2 \* 12/2008 Chau ..... A61H 15/0092  
601/102

(Continued)

*Primary Examiner* — Cynthia Ramirez

*Assistant Examiner* — Michael A Maharajh

(74) *Attorney, Agent, or Firm* — Dragon Sun Law Firm,  
PC; Jinggao Li, Esq.

(57) **CLAIM**

The ornamental design for a ball massage stick, as shown  
and described.

**DESCRIPTION**

FIG. 1 is a front perspective view of a ball massage stick  
showing my new design;

FIG. 2 is a rear perspective view thereof;

FIG. 3 is a front elevational view thereof;

FIG. 4 is a rear elevational view thereof;

FIG. 5 is a left side elevational view thereof;

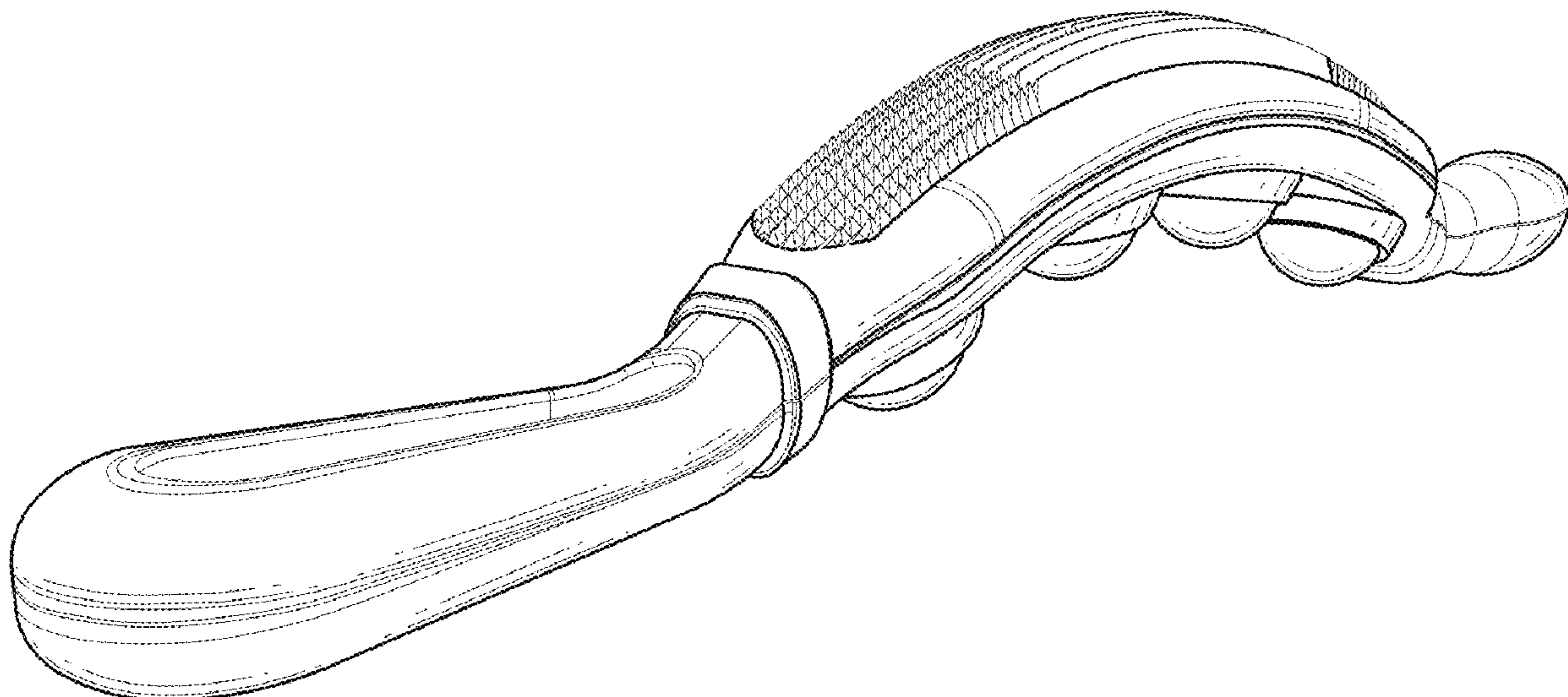
FIG. 6 is a right side view thereof;

FIG. 7 is a bottom plan view thereof; and,

FIG. 8 is a top plan view thereof.

The broken lines shown in the figures are for the purpose of  
illustrating portions of the ball massage stick, which form no  
part of the claimed design.

**1 Claim, 8 Drawing Sheets**



(56)

References Cited

U.S. PATENT DOCUMENTS

D637,309 S *	5/2011	Park	.....	D24/215				
D668,771 S *	10/2012	Matsushita	.....	D24/211				
D674,500 S *	1/2013	Matsushita	.....	D24/211				
D703,825 S *	4/2014	Barrett	.....	D24/200				
D725,788 S *	3/2015	Matsushita	.....	D24/211				
D725,789 S *	3/2015	Matsushita	.....	D24/211				
D726,926 S *	4/2015	Matsushita	.....	D24/200				
D726,927 S *	4/2015	Matsushita	.....	D24/200				
D727,514 S *	4/2015	Matsushita	.....	D24/200				
D768,309 S *	10/2016	Hetzel	.....	D24/214				
D768,310 S *	10/2016	Hetzel	.....	D24/214				
D787,693 S *	5/2017	Matsushita	.....	D24/200				
D822,843 S *	7/2018	Lenke	.....	D24/215				
D823,477 S *	7/2018	Yang	.....	D24/215				
D823,478 S *	7/2018	Park	.....	D24/215				
D824,039 S *	7/2018	Hetzel	.....	D24/215				
D825,073 S *	8/2018	Lenke	.....	D24/215				
D836,792 S *	12/2018	Fuhner	.....	D24/215				
					D837,395 S *	1/2019	Gan	..... D24/214
					D842,491 S *	3/2019	Fleming	..... D24/215
					D847,362 S *	4/2019	Tang	..... D24/215
					D847,363 S *	4/2019	Aulwes	..... D24/215
					2002/0183668 A1 *	12/2002	Huang	..... A61H 23/0254 601/97
					2005/0038313 A1 *	2/2005	Ardizzone	..... A61N 2/002 600/9
					2006/0211961 A1 *	9/2006	Meyer	..... A61H 7/005 601/73
					2006/0276732 A1 *	12/2006	Chen	..... A61H 15/0092 601/113
					2008/0154161 A1 *	6/2008	Abbott	..... A61H 15/0092 601/113
					2014/0309566 A1 *	10/2014	Sanchez-Martinez	..... A45D 26/0028 601/93
					2015/0150599 A1 *	6/2015	Matsushita	..... A61N 2/06 604/20

\* cited by examiner

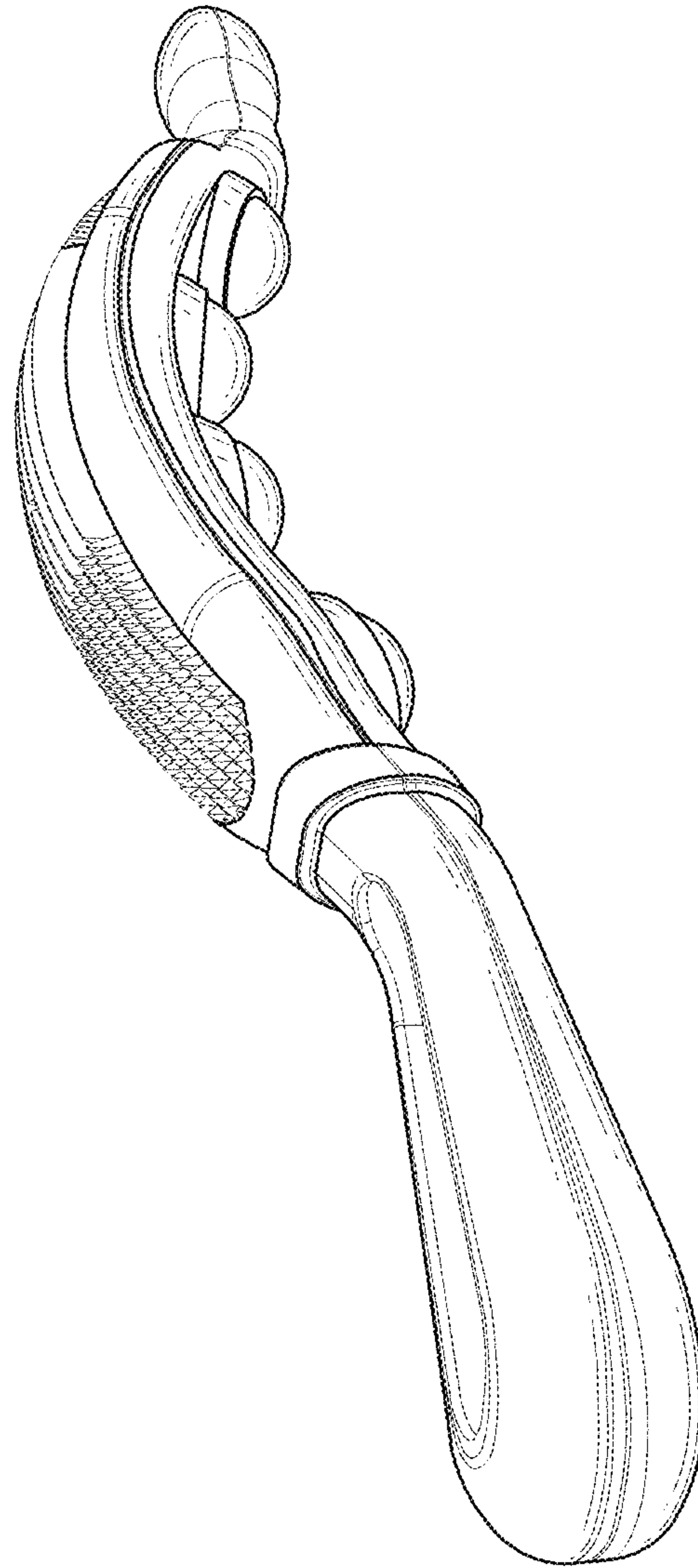


FIG. 1

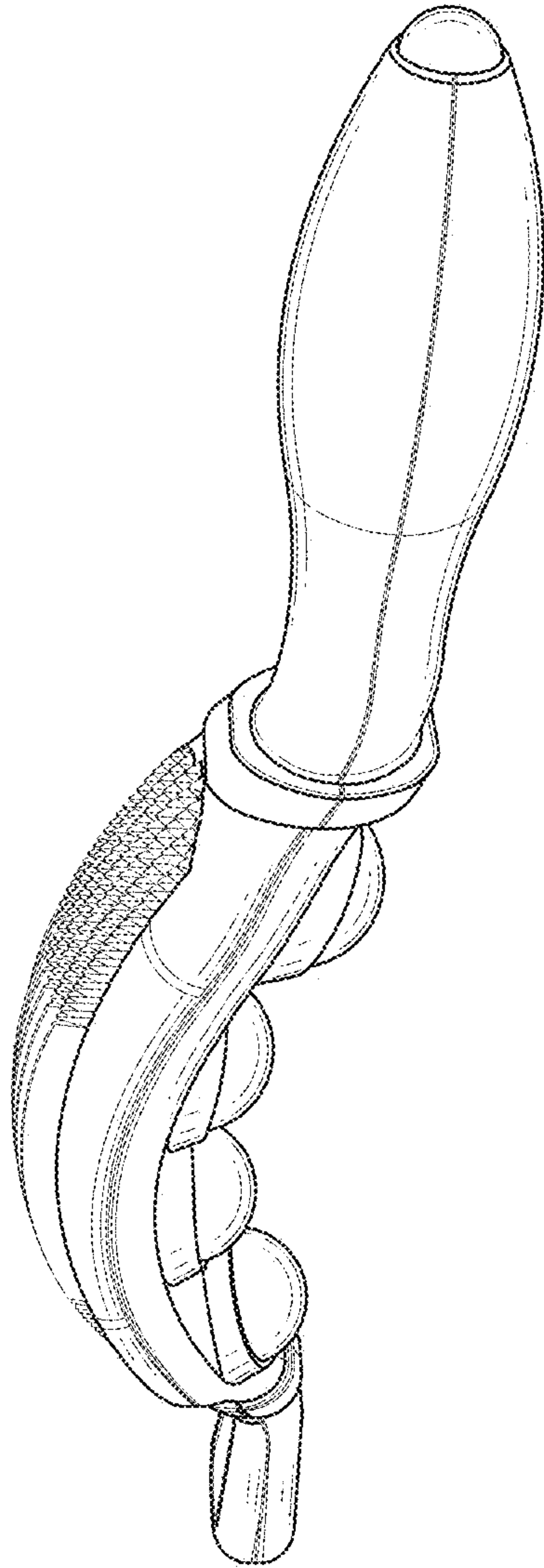


FIG. 2



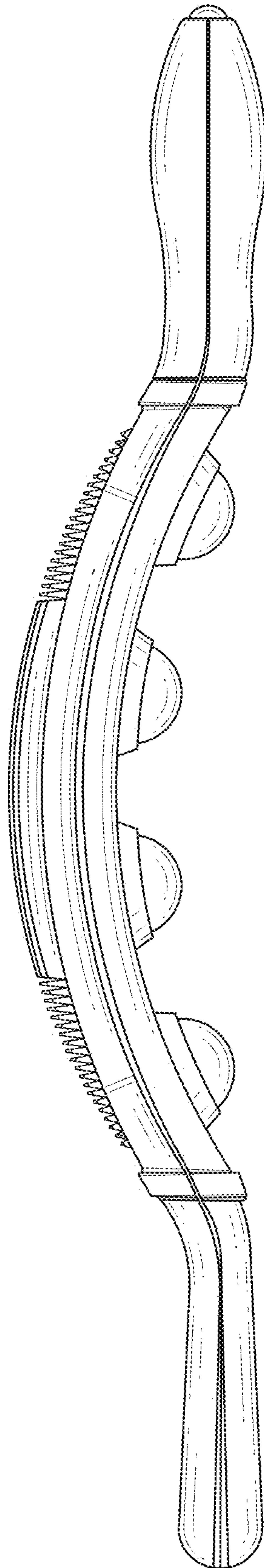


FIG. 3

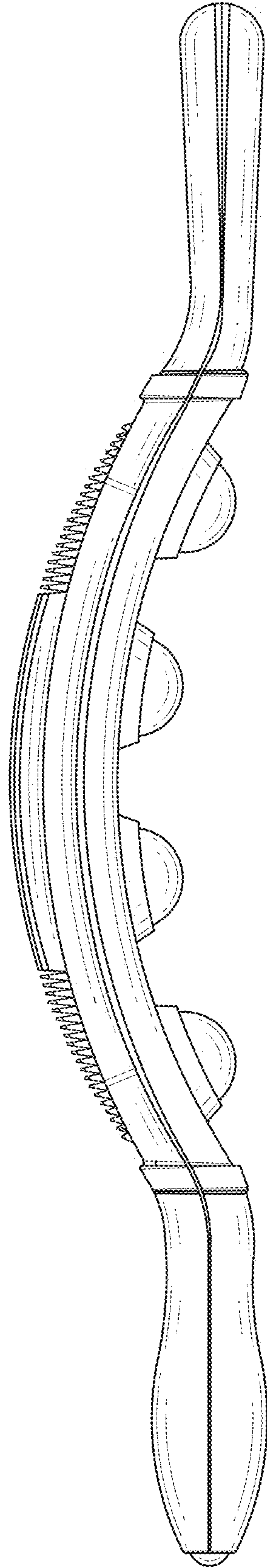


FIG. 4

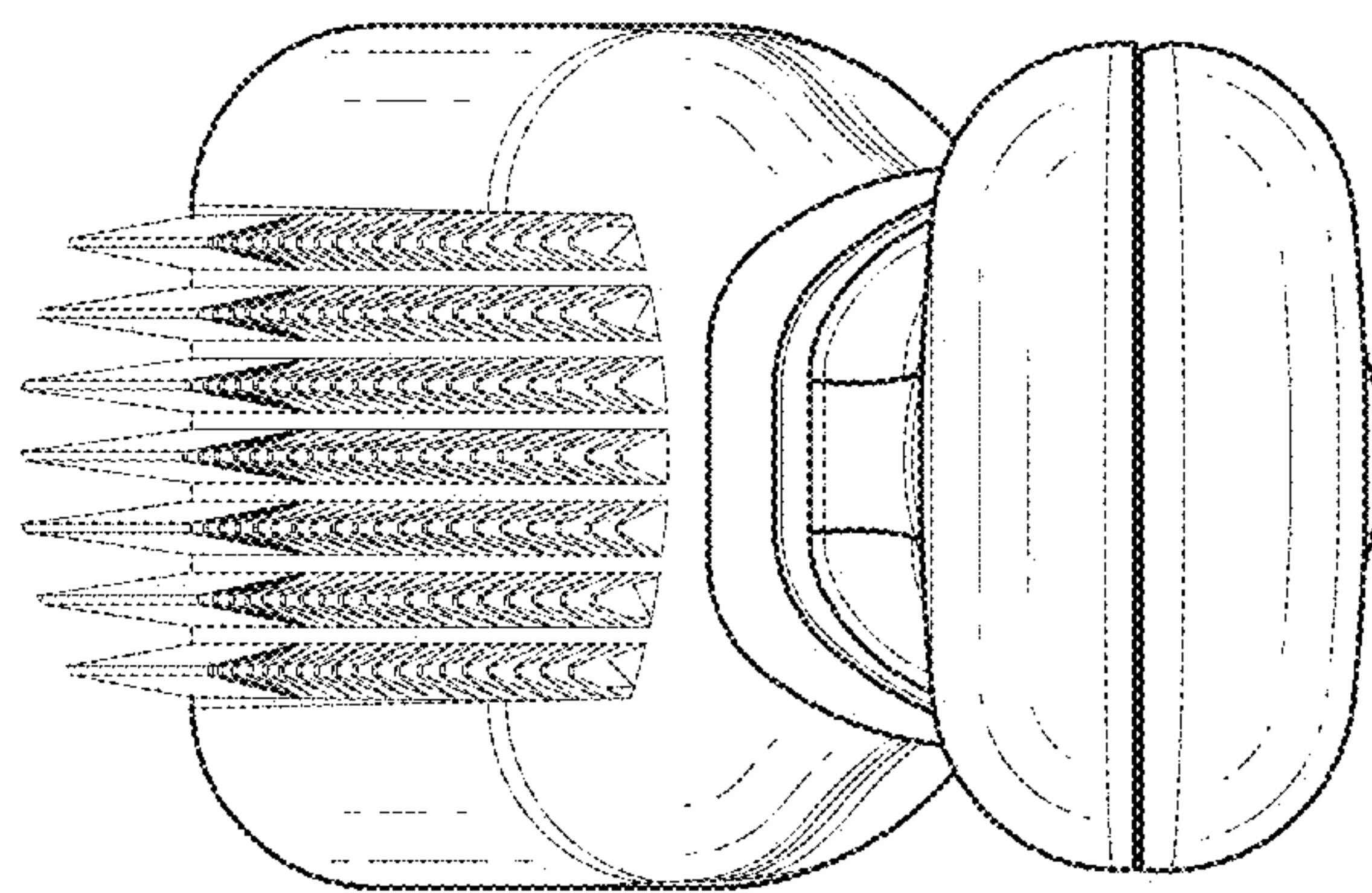


FIG. 5

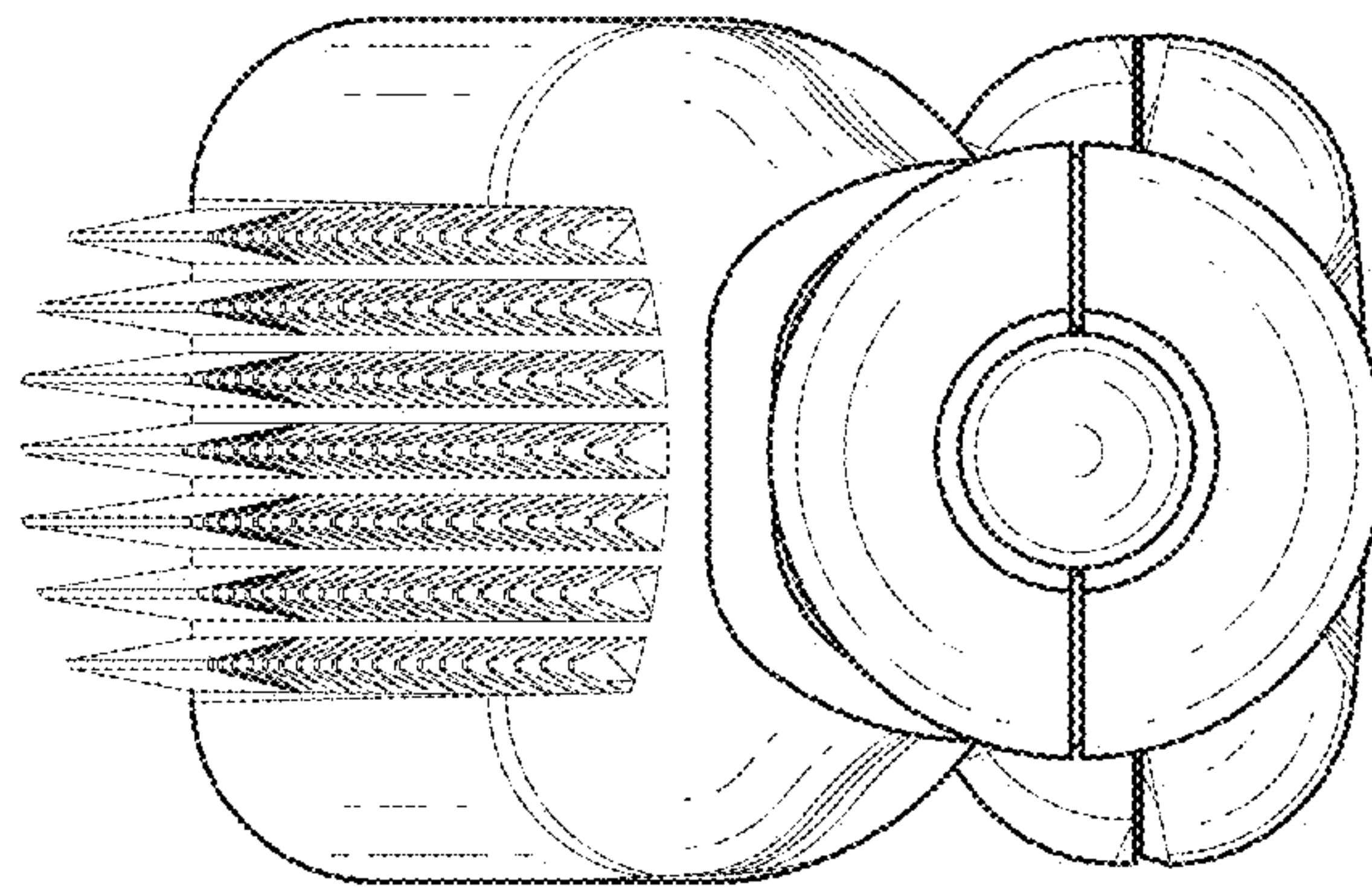


FIG. 6



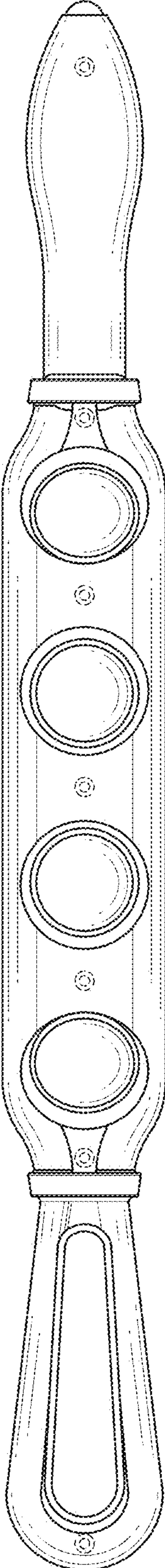


FIG. 7

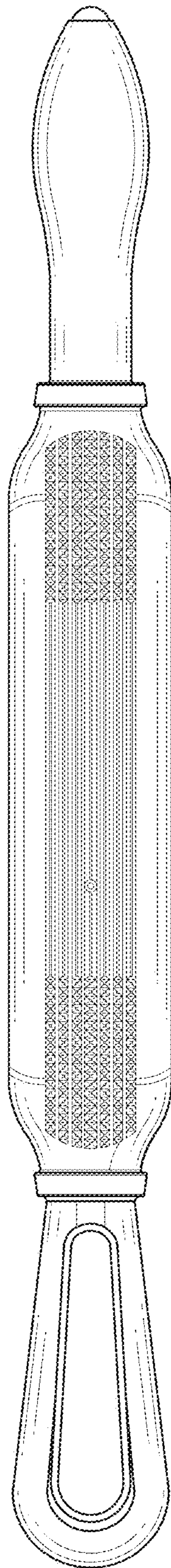


FIG. 8