



US00D869672S

(12) **United States Design Patent** (10) **Patent No.:** **US D869,672 S**  
**Beelte et al.** (45) **Date of Patent:** **\*\* Dec. 10, 2019**

(54) **PHOTOTHERAPY DEVICE**

(71) Applicant: **DRAEGER MEDICAL SYSTEMS, INC.**, Andover, MA (US)

(72) Inventors: **Anna Beelte**, Lubeck (DE); **Andreas Nandzik**, Berlin (DE)

(73) Assignee: **Draeger Medical Systems, Inc.**, Andover, MA (US)

(\*\*) Term: **15 Years**

(21) Appl. No.: **29/674,889**

(22) Filed: **Dec. 27, 2018**

**Related U.S. Application Data**

(62) Division of application No. 29/609,476, filed on Jun. 30, 2017, now Pat. No. Des. 842,485.

(51) **LOC (12) Cl.** ..... **28-03**

(52) **U.S. Cl.**  
USPC ..... **D24/209**

(58) **Field of Classification Search**  
USPC ..... D24/107, 186, 158, 231, 200, 209, 210,  
D24/214, 215, 152, 176; D26/37-39  
(Continued)

(56) **References Cited**

**U.S. PATENT DOCUMENTS**

D247,756 S \* 4/1978 Nagelkerke ..... D24/210  
D597,214 S \* 7/2009 Savage ..... D24/209  
(Continued)

*Primary Examiner* — Anhdao Doan

(74) *Attorney, Agent, or Firm* — Design IP

(57) **CLAIM**

The ornamental design for a phototherapy device, as shown and described.

**DESCRIPTION**

FIG. 1 is a front perspective view of a first embodiment of a phototherapy device;

FIG. 2 is a front view of the phototherapy device of FIG. 1; FIG. 3 is a back view of the phototherapy device of FIG. 1; FIG. 4 is a first side view of the phototherapy device of FIG. 1; FIG. 5 is a second side view of the phototherapy device of FIG. 1; FIG. 6 is a top view of the phototherapy device of FIG. 1; FIG. 7 is a bottom view of the phototherapy device of FIG. 1; FIG. 8 is a front perspective view of a second embodiment of a phototherapy device; FIG. 9 is a front view of the phototherapy device of FIG. 8; FIG. 10 is a back view of the phototherapy device of FIG. 8; FIG. 11 is a first side view of the phototherapy device of FIG. 8; FIG. 12 is a second side view of the phototherapy device of FIG. 8; FIG. 13 is a top view of the phototherapy device of FIG. 8; FIG. 14 is a bottom view of the phototherapy device of FIG. 8; FIG. 15 is a front perspective view of a third embodiment of a phototherapy device; FIG. 16 is a front view of the phototherapy device of FIG. 15; FIG. 17 is a back view of the phototherapy device of FIG. 15; FIG. 18 is a first side view of the phototherapy device of FIG. 15; FIG. 19 is a second side view of the phototherapy device of FIG. 15; FIG. 20 is a top view of the phototherapy device of FIG. 15; FIG. 21 is a bottom view of the phototherapy device of FIG. 15; FIG. 22 is a front perspective view of a fourth embodiment of a phototherapy device; FIG. 23 is a front view of the phototherapy device of FIG. 22; FIG. 24 is a back view of the phototherapy device of FIG. 22; FIG. 25 is a first side view of the phototherapy device of FIG. 22; FIG. 26 is a second side view of the phototherapy device of FIG. 22;

(Continued)

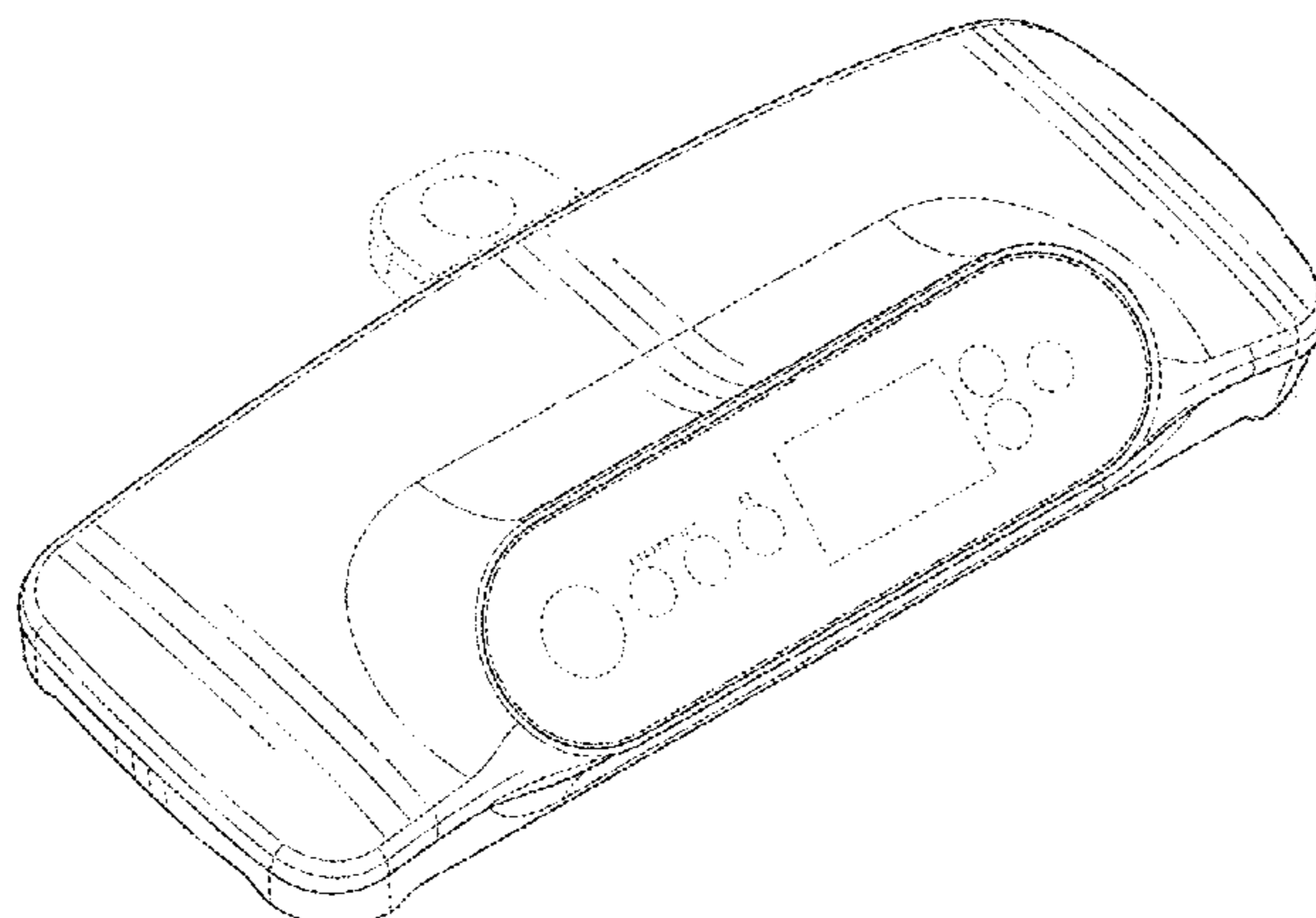


FIG. 27 is a top view of the phototherapy device of FIG. 22; and, FIG. 28 is a bottom view of the phototherapy device of FIG. 22.

The dash-dot-dash lines represent the bounds of the claim, and the regular dash lines illustrate portions of the phototherapy device that form no part of the claimed design. None of the broken lines form part of the claimed design.

**1 Claim, 28 Drawing Sheets**

(58) **Field of Classification Search**

CPC .. A61N 5/0616; A61N 5/0617; A61N 5/0618; A61N 5/062; A61N 5/0627; A61N 5/0624; A61N 5/0625; A61N 2005/0643; A61N 2005/0644; A61N 2005/0645; A61N 2005/0647; A61N 2005/0651; A61N 2005/0652; A61N 2005/0654;

A61N 2005/0662; A61B 2018/00452; A61B 2018/1807

See application file for complete search history.

(56)

**References Cited**

U.S. PATENT DOCUMENTS

D641,490	S	*	7/2011	Fernie	.....	D24/210
D712,561	S	*	9/2014	Hagenauer	.....	D24/210
D842,485	S	*	3/2019	Beelte	.....	D24/209
2004/0068305	A1	*	4/2004	Bansal	.....	A61N 5/0621 607/89
2004/0260365	A1	*	12/2004	Groseth	.....	A61N 5/062 607/88
2010/0261948	A1	*	10/2010	Chilton, III	.....	A61G 11/00 600/22
2011/0046433	A1	*	2/2011	Khodak	.....	A61F 7/007 600/22

\* cited by examiner

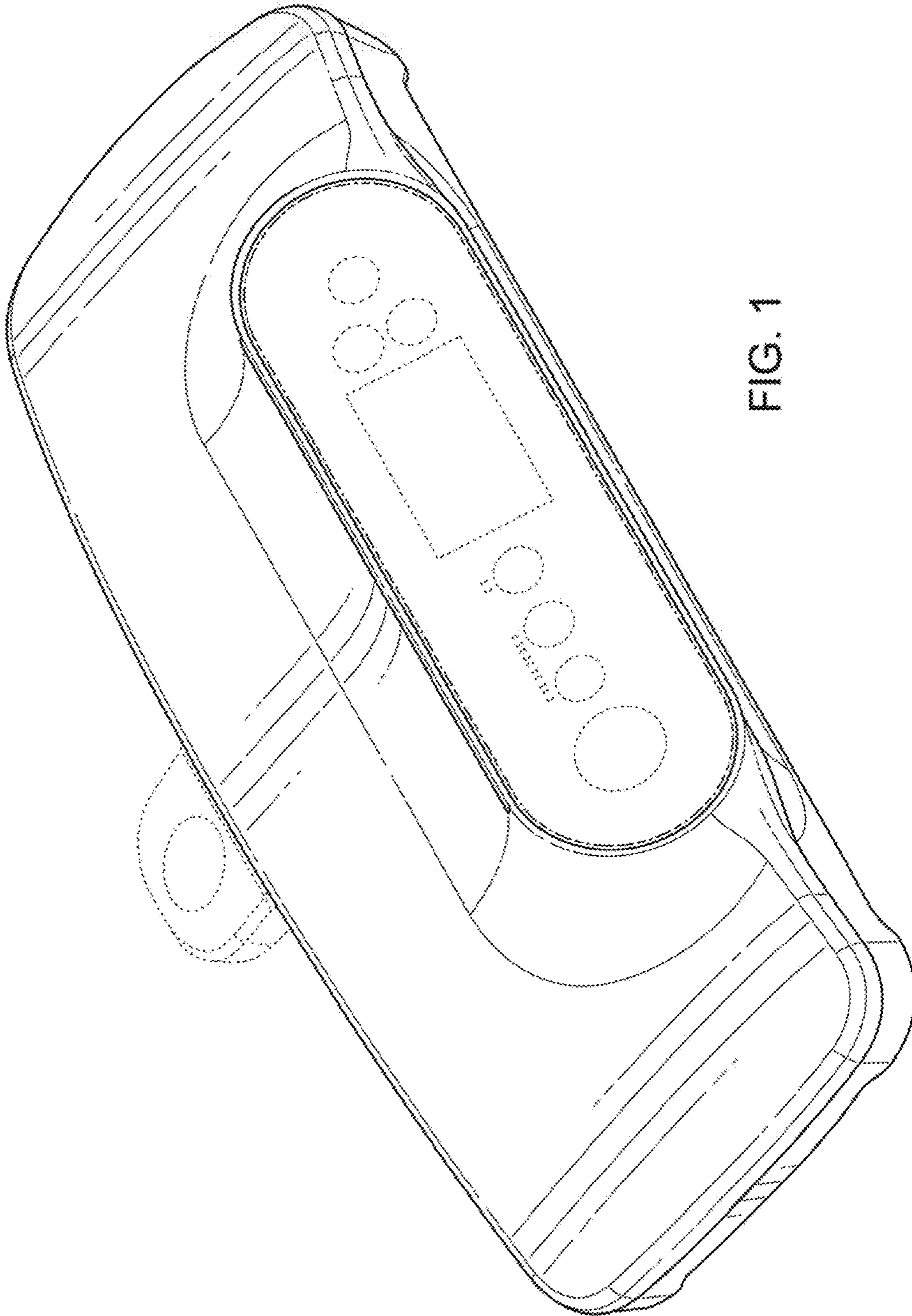


FIG. 1



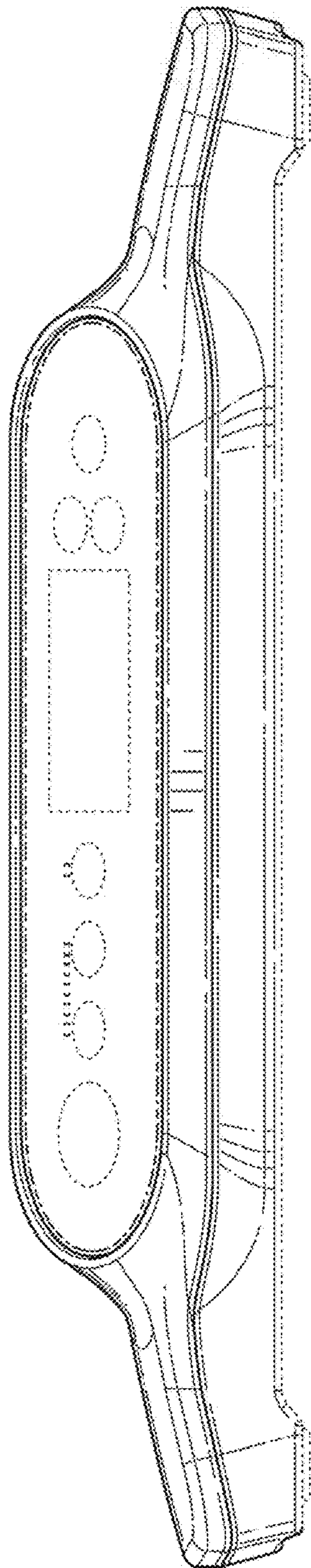


FIG. 2

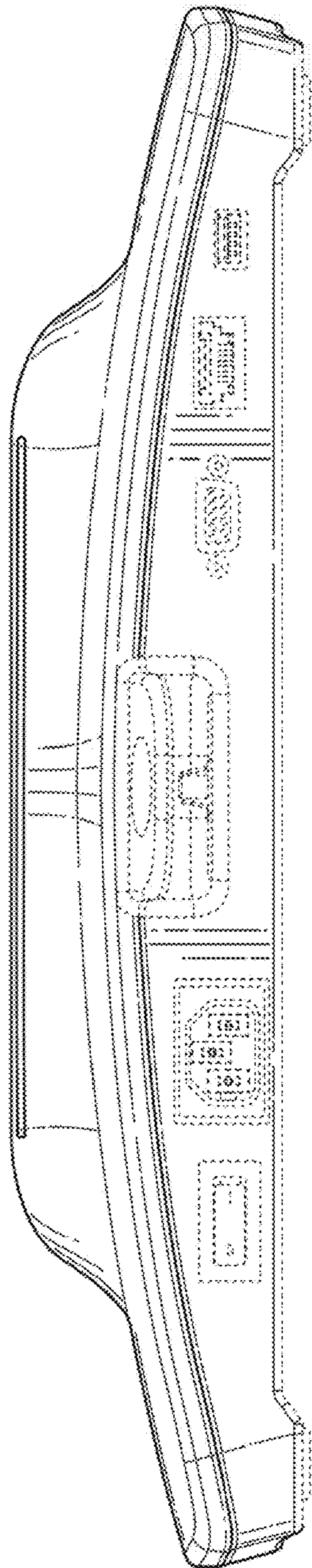


FIG. 3

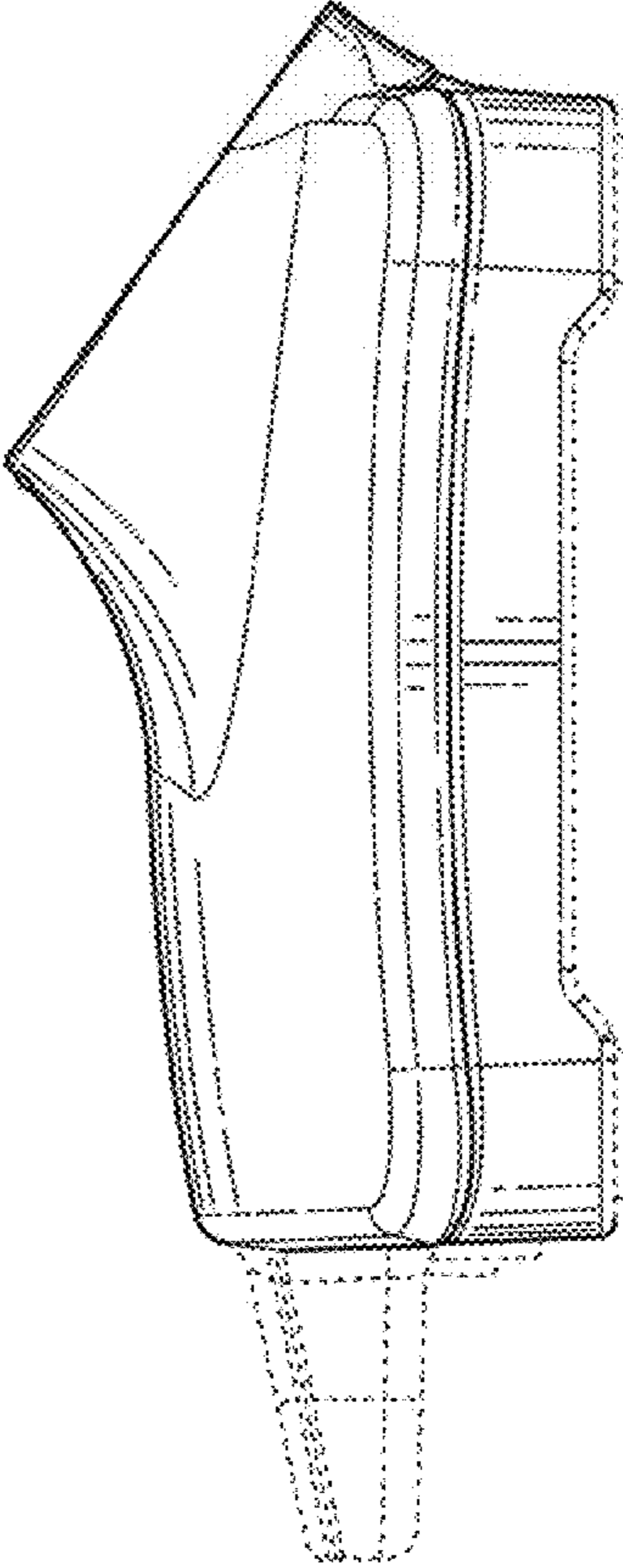


FIG. 4

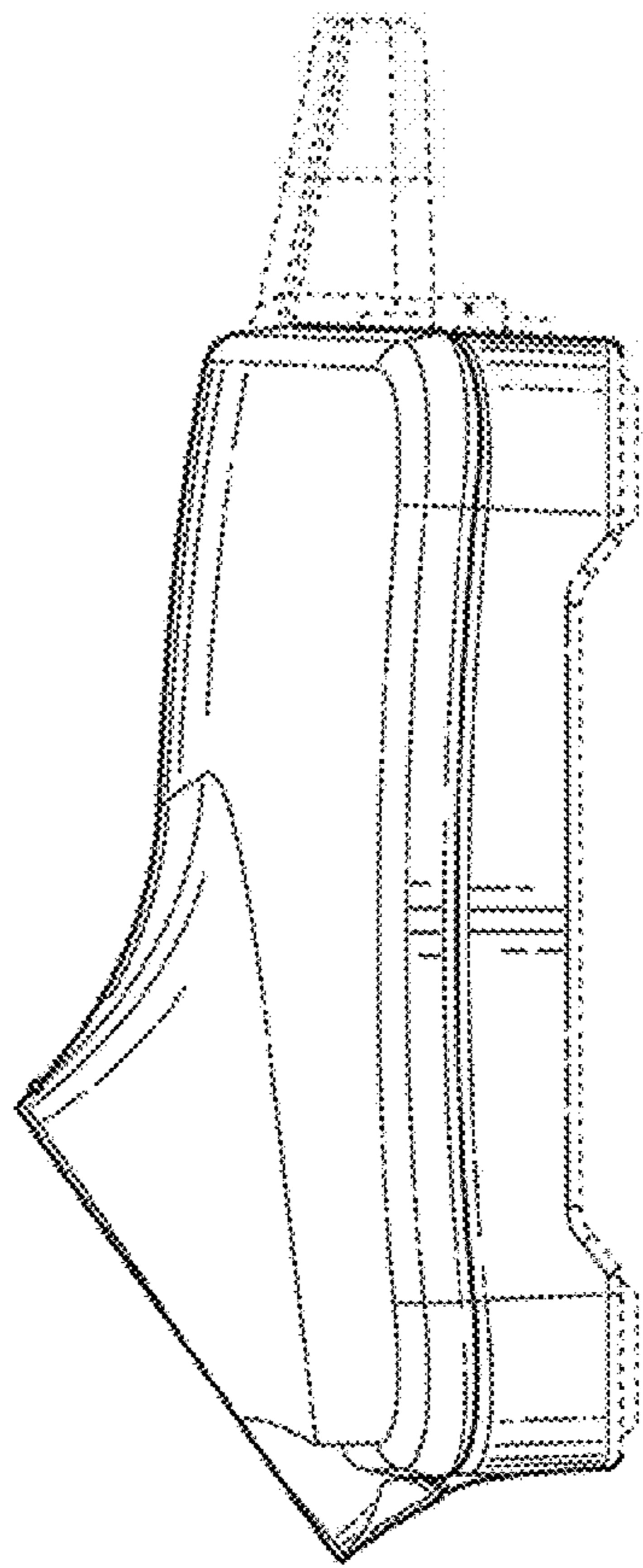


FIG. 5

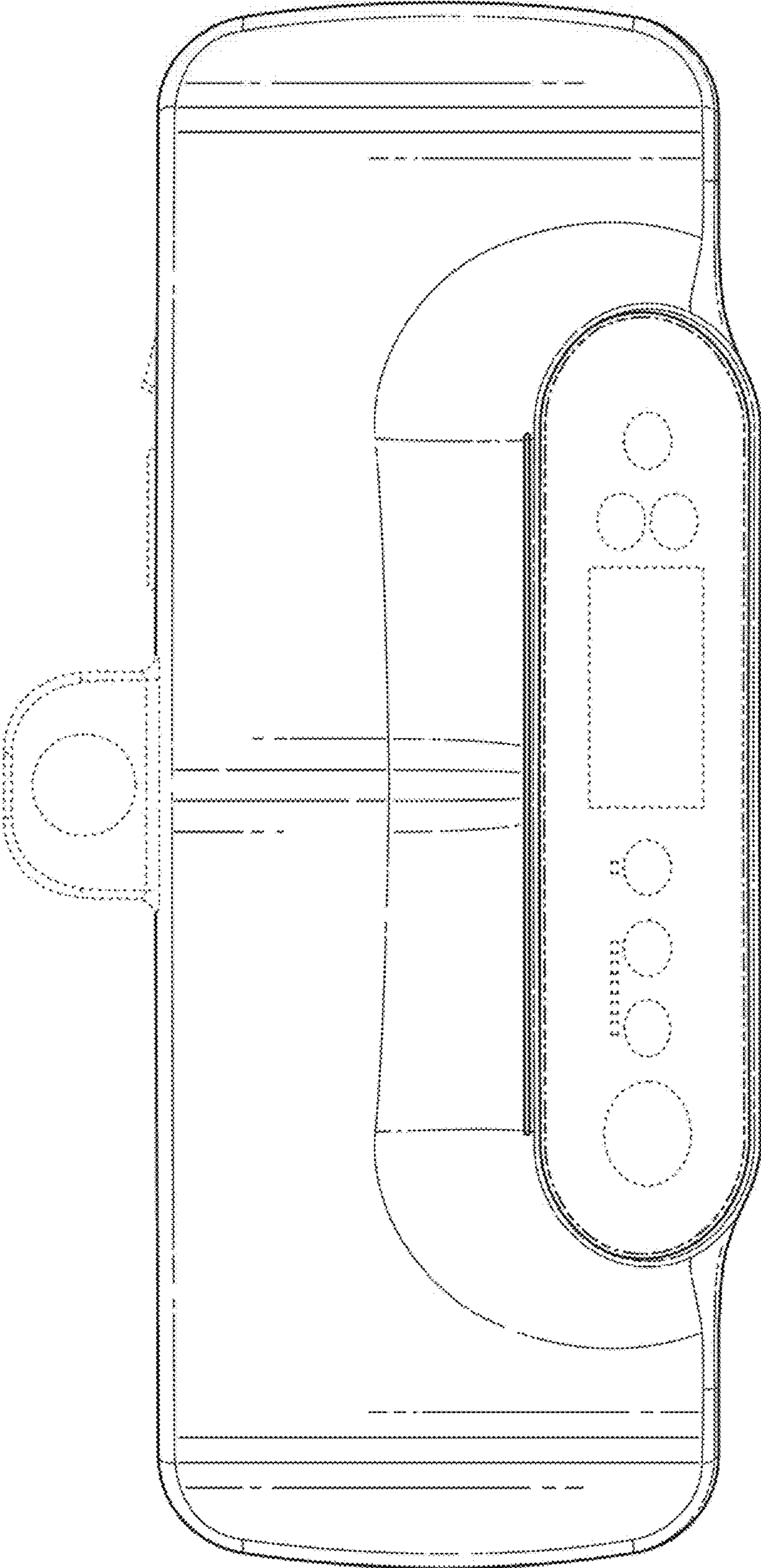


FIG. 6



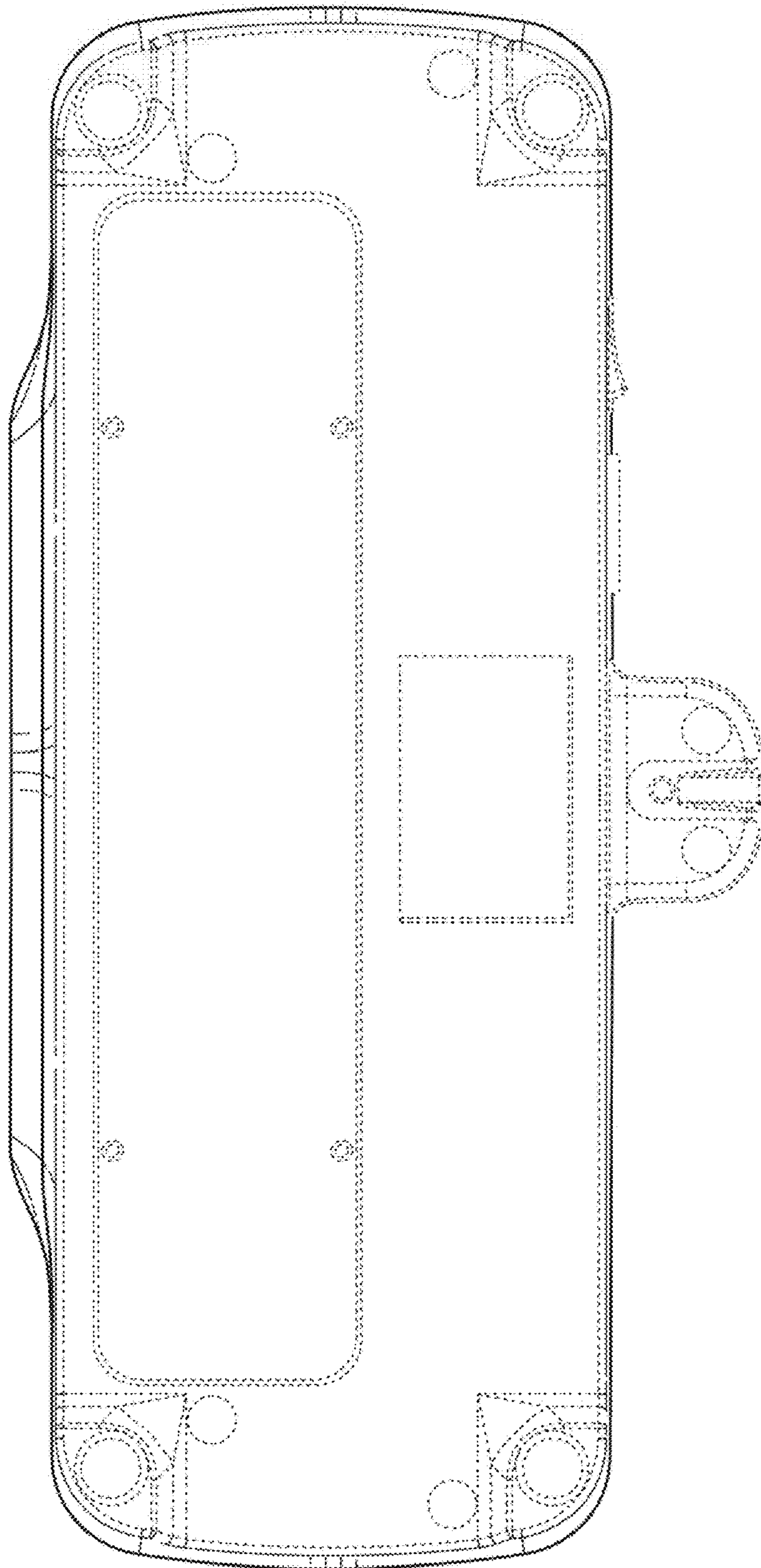


FIG. 7

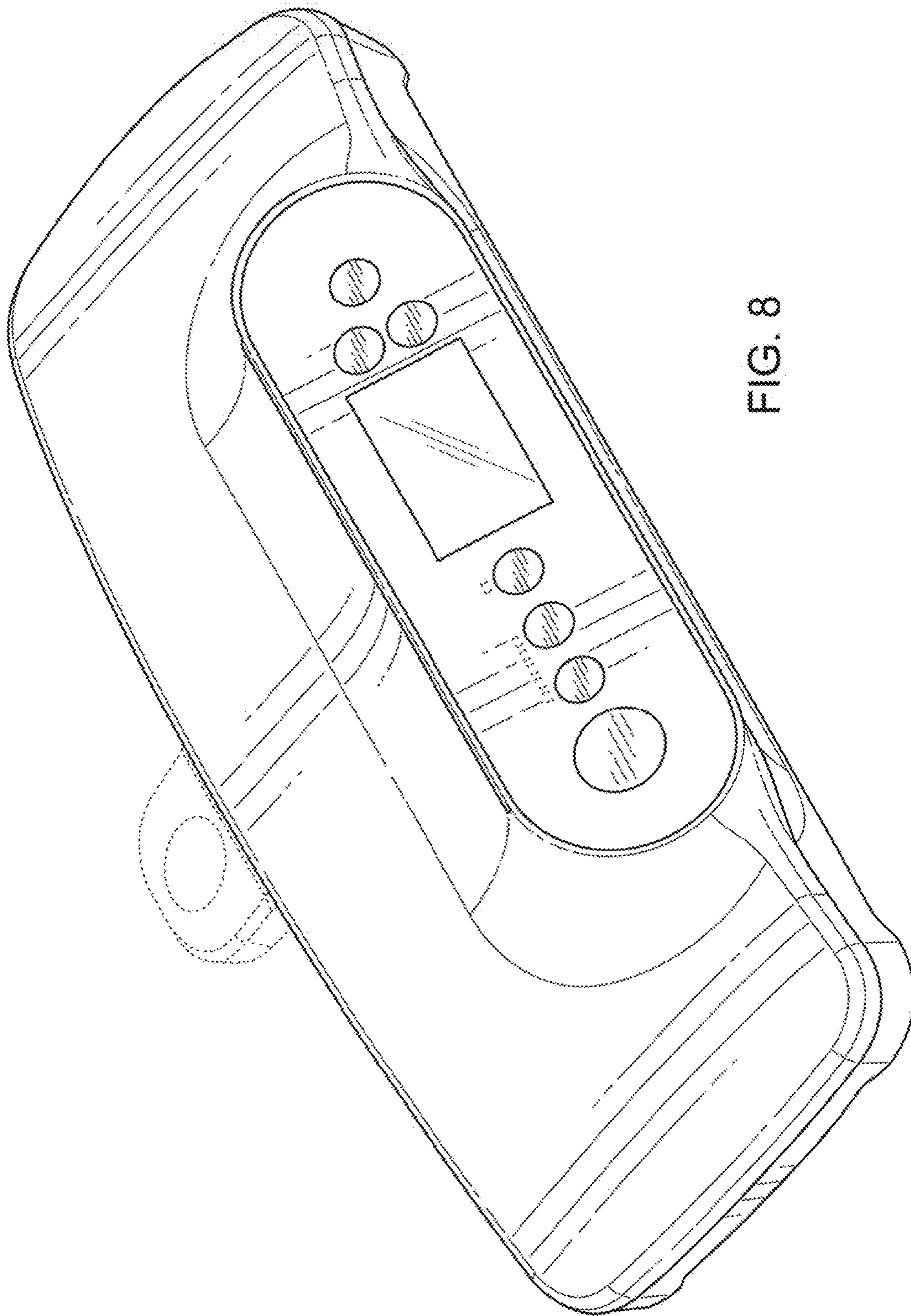


FIG. 8

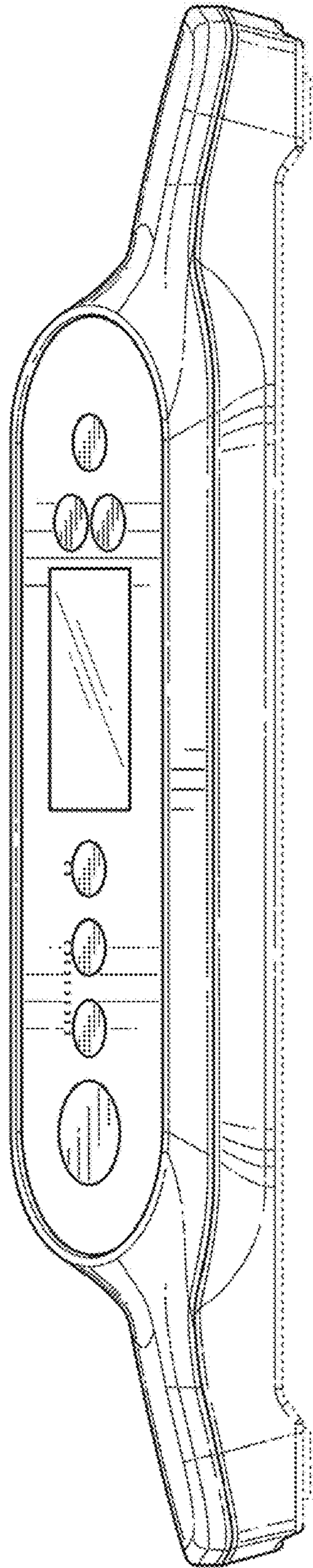


FIG. 9



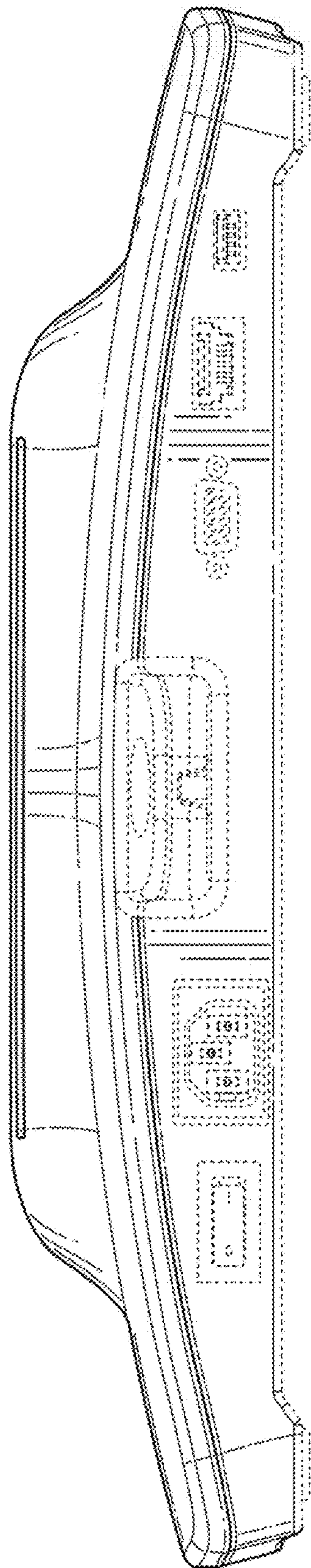


FIG. 10



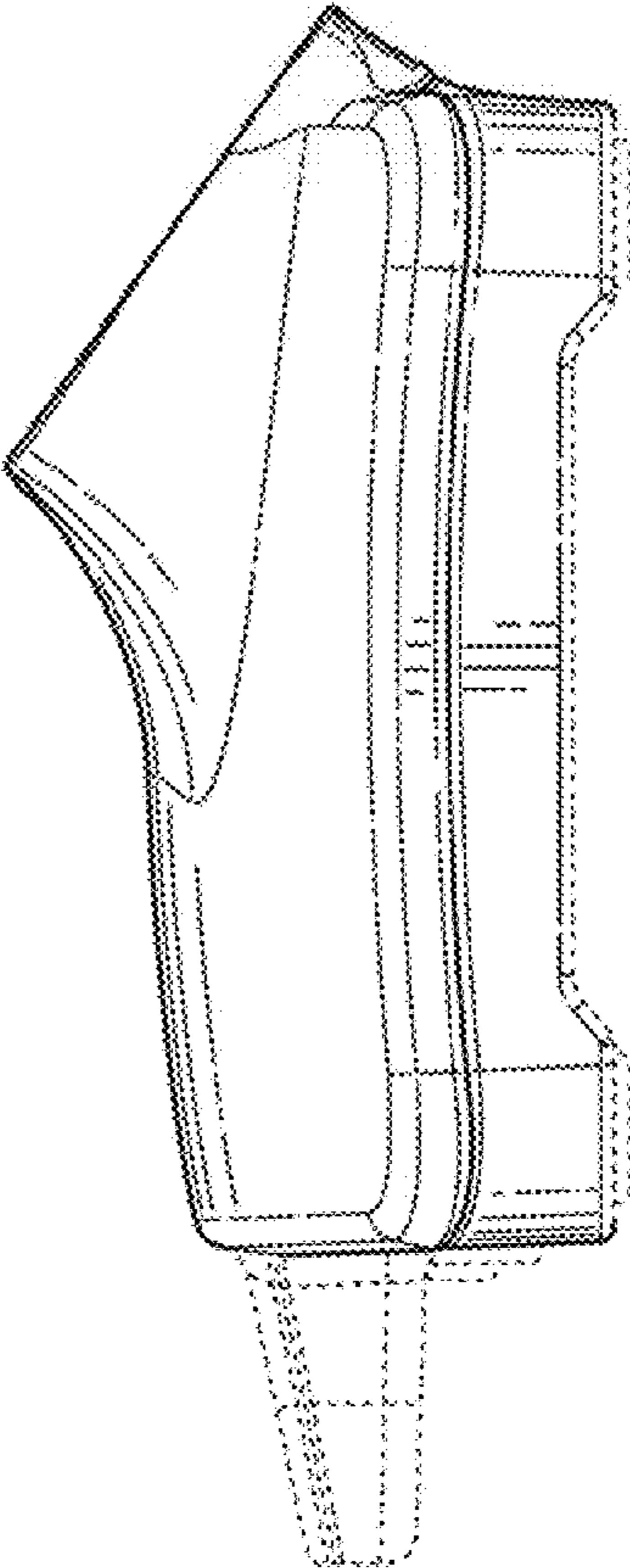


FIG. 11

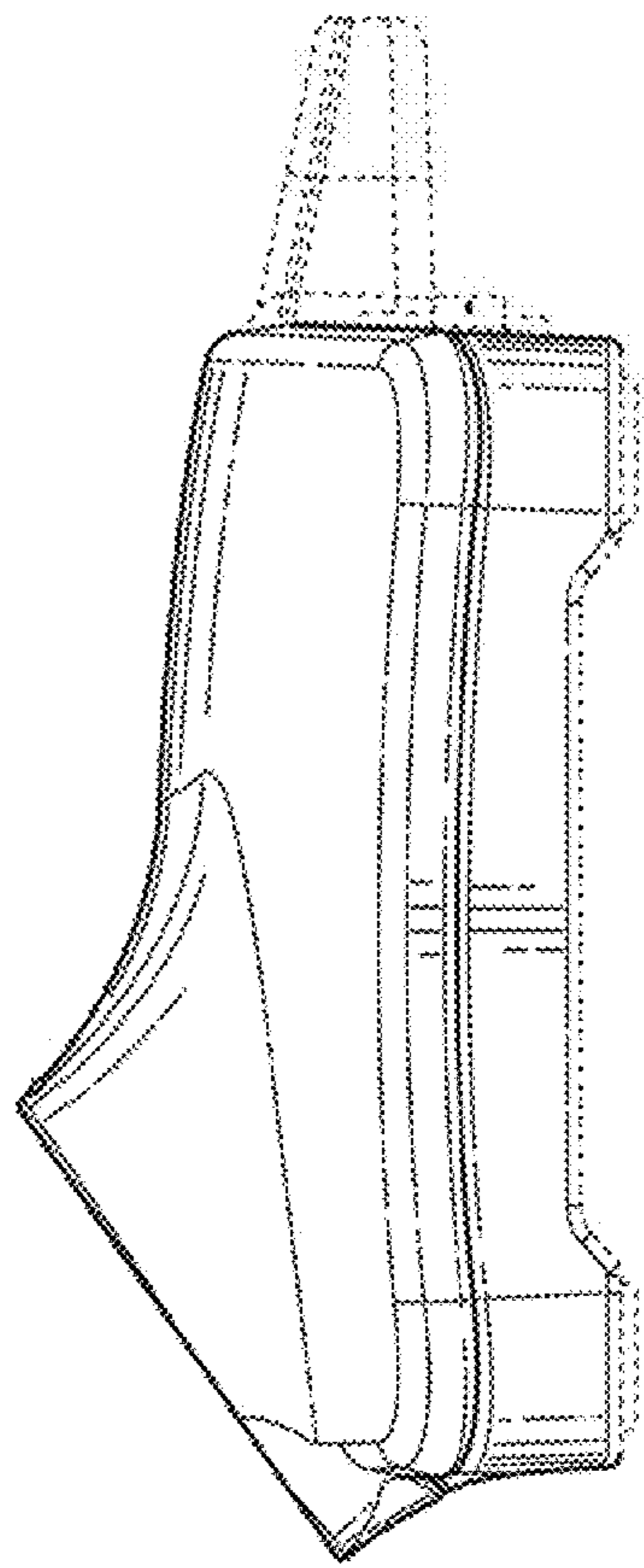


FIG. 12

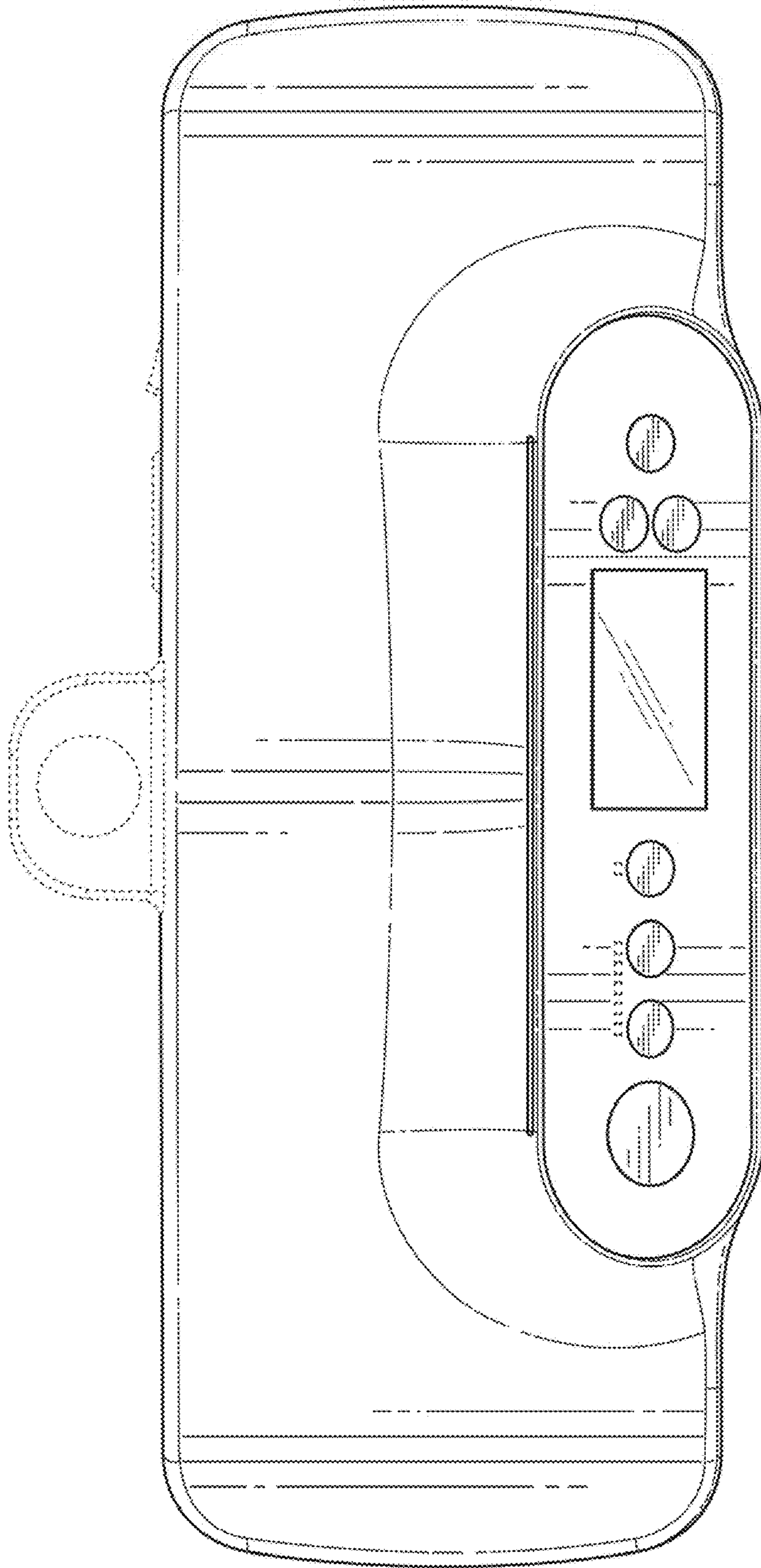


FIG. 13

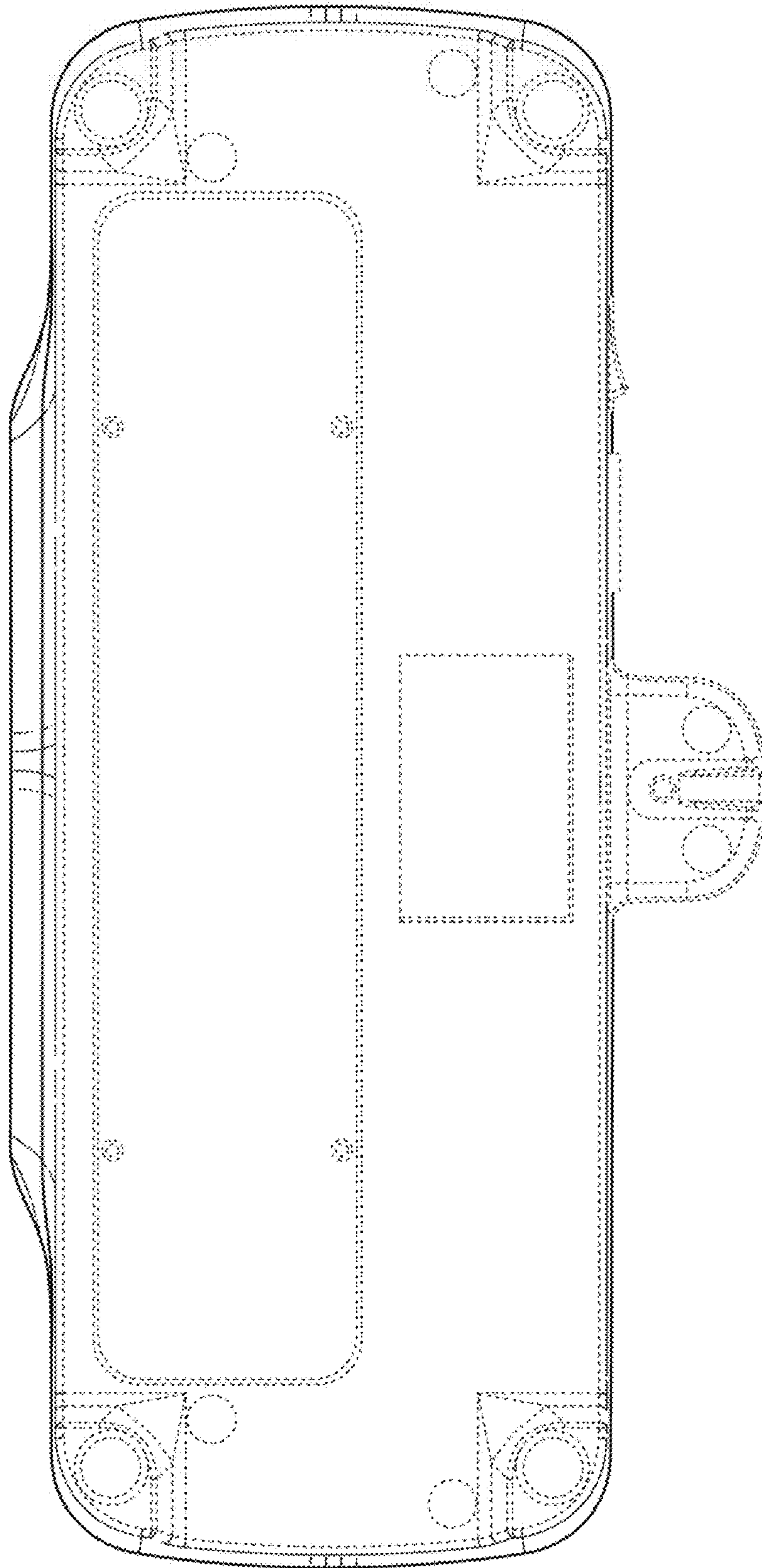


FIG. 14



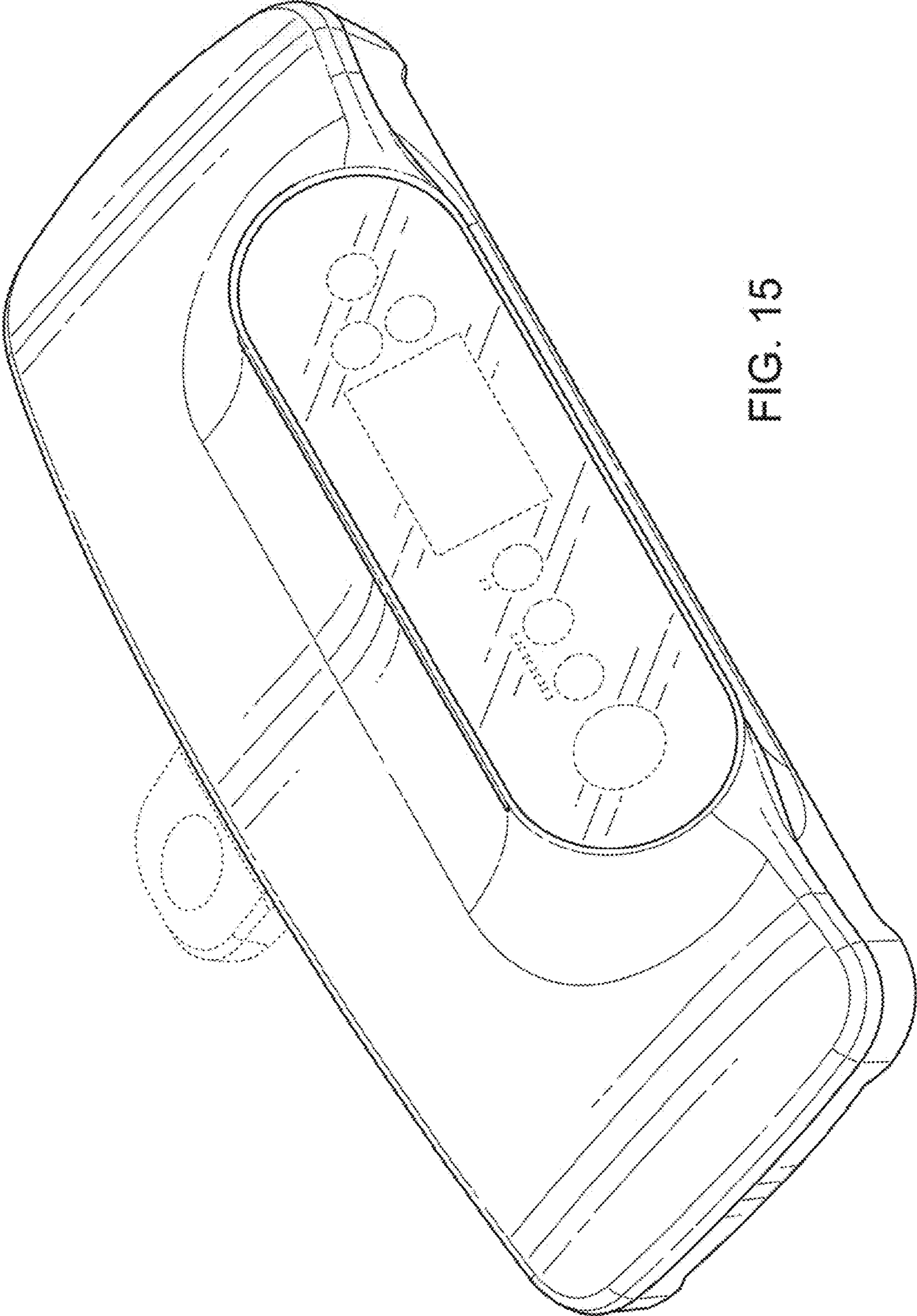


FIG. 15

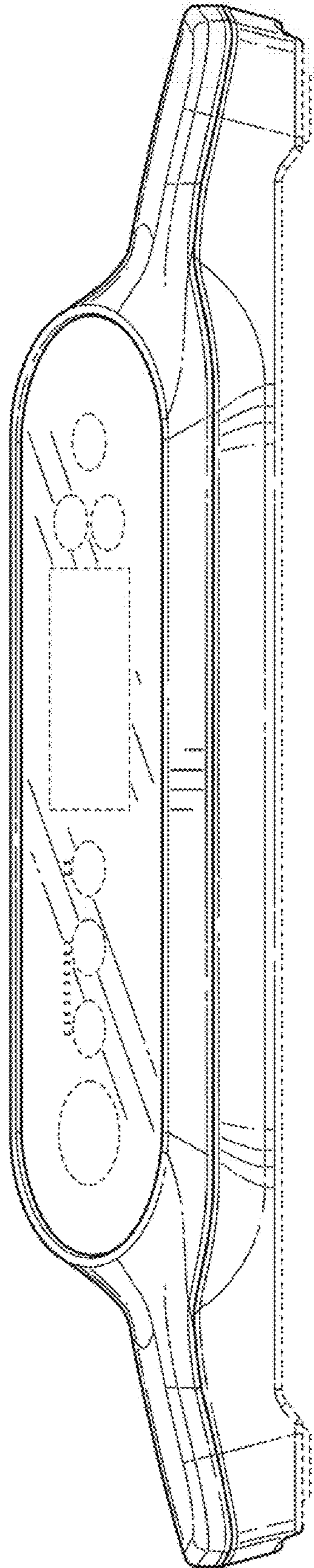


FIG. 16

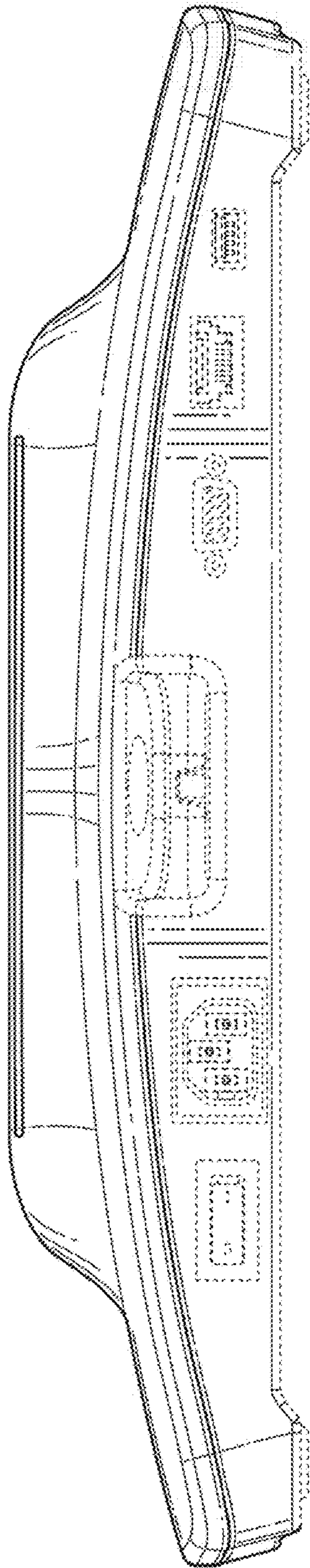


FIG. 17

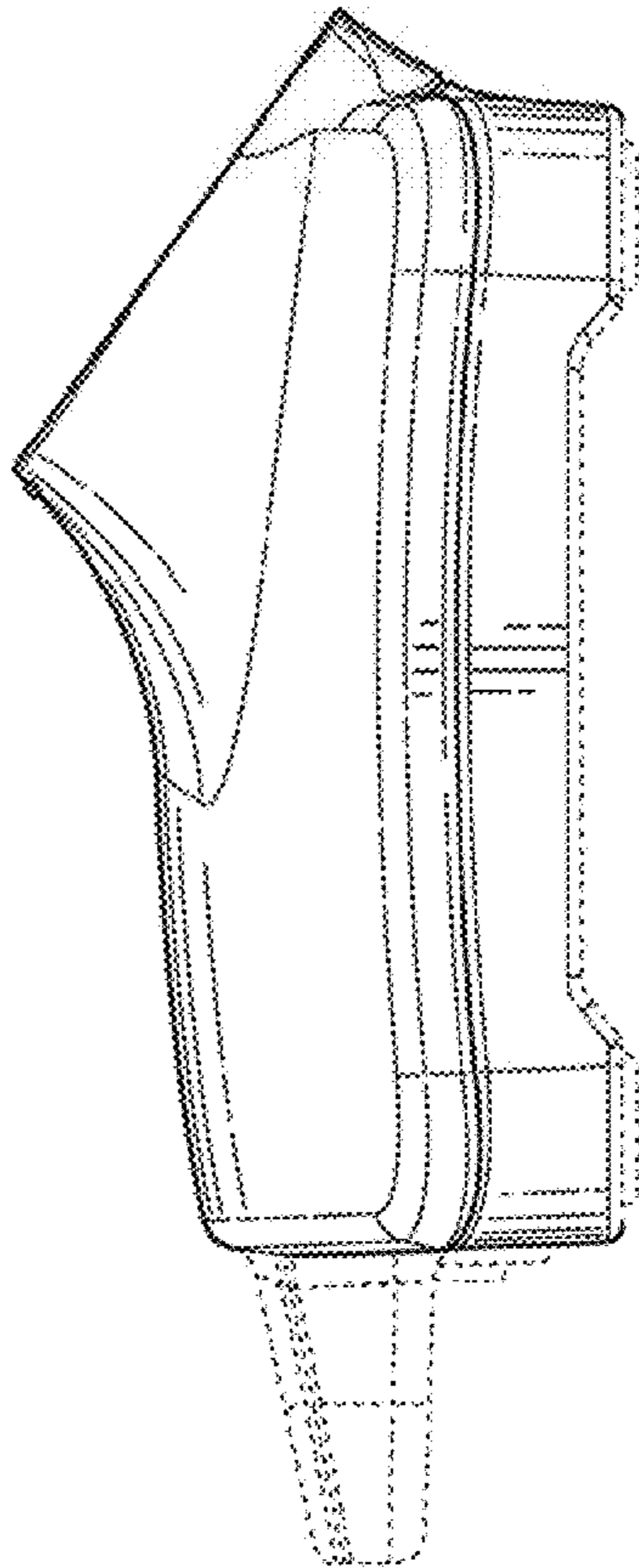


FIG. 18



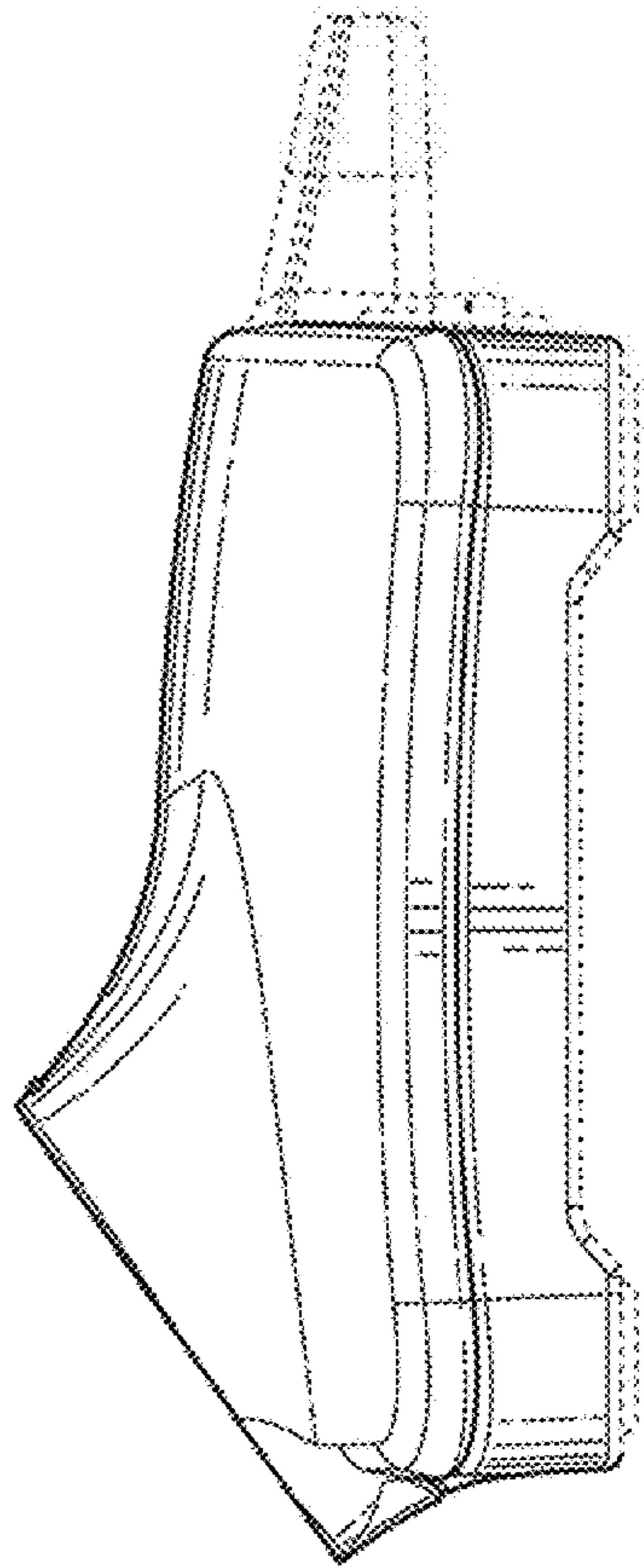


FIG. 19

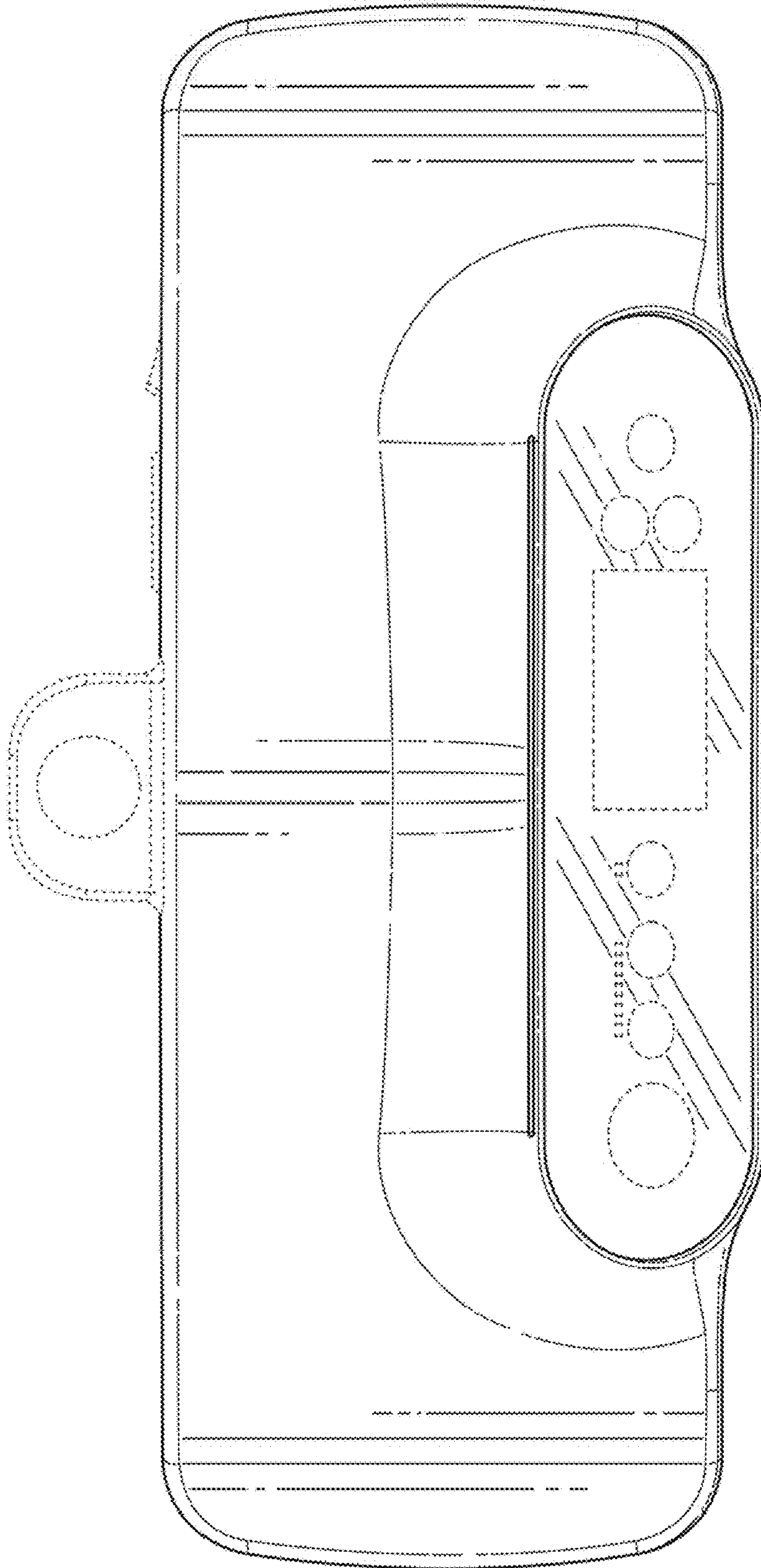


FIG. 20

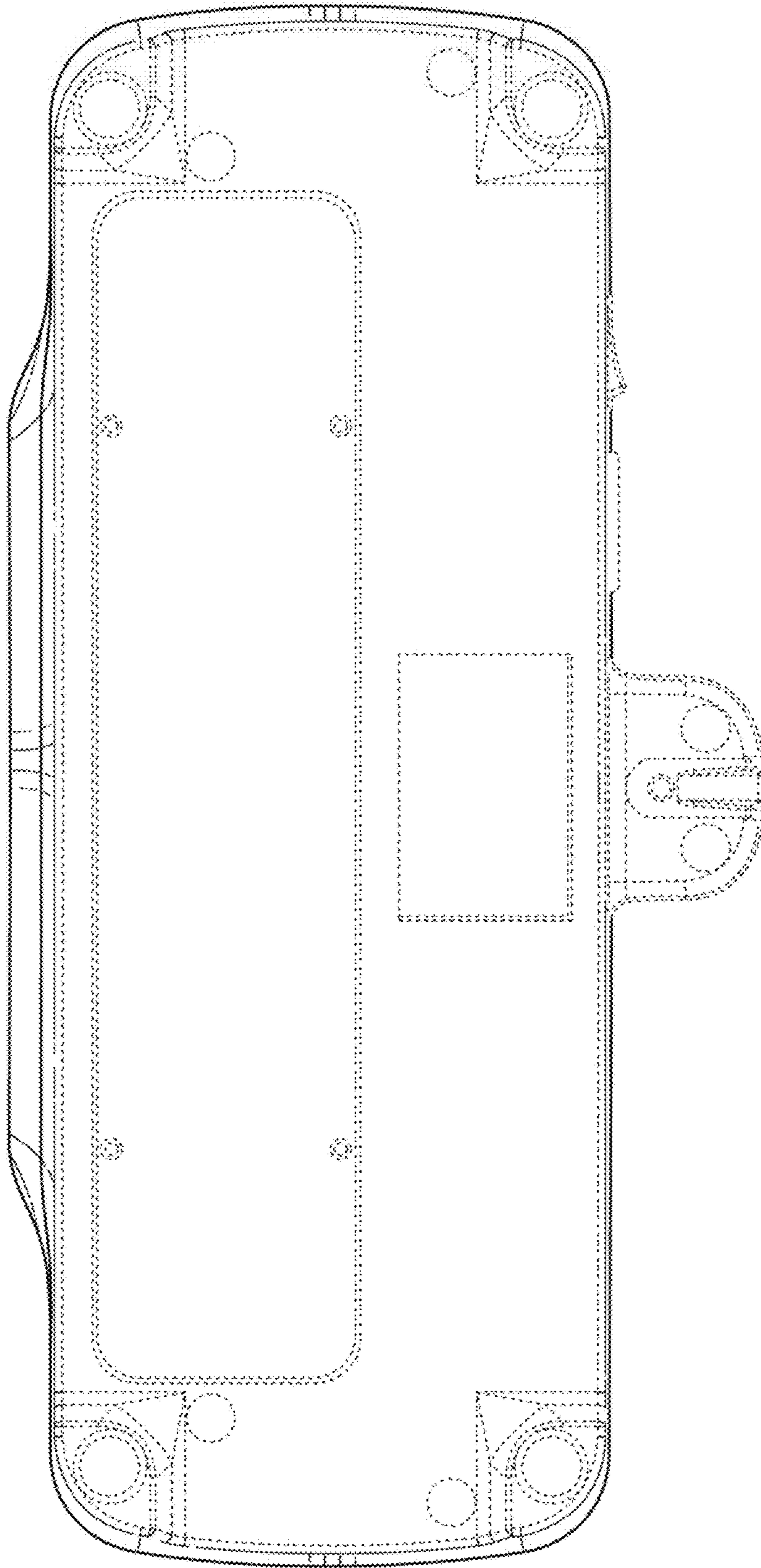


FIG. 21

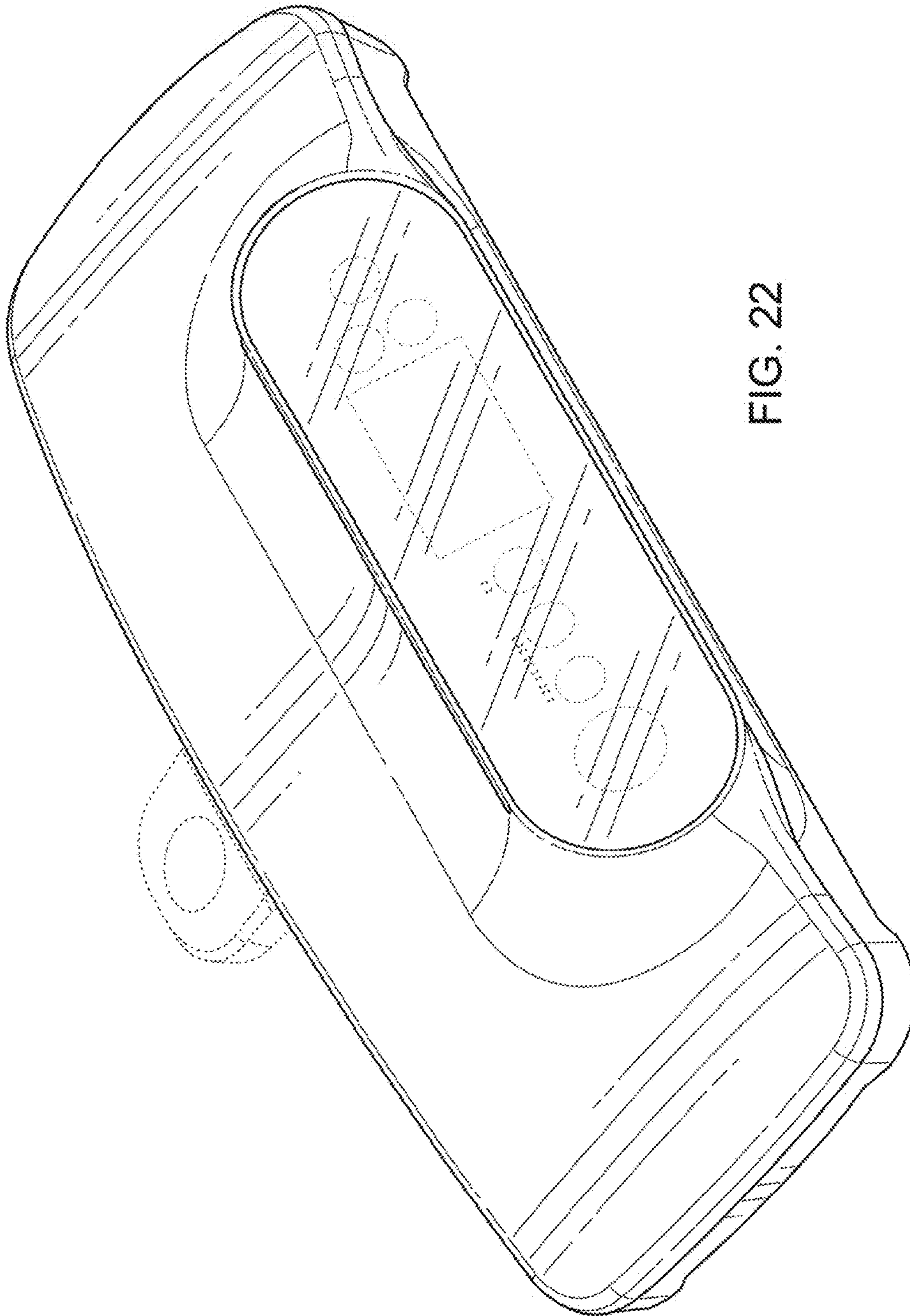


FIG. 22



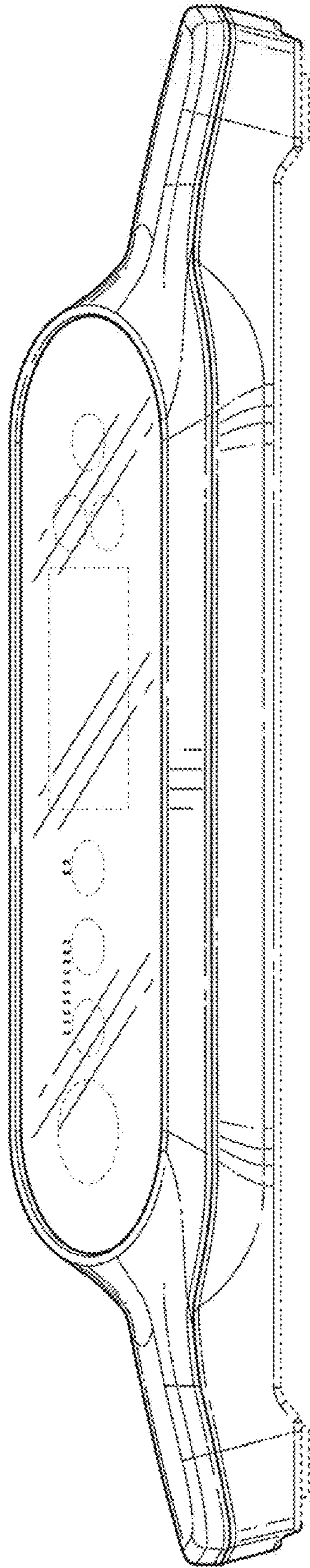


FIG. 23

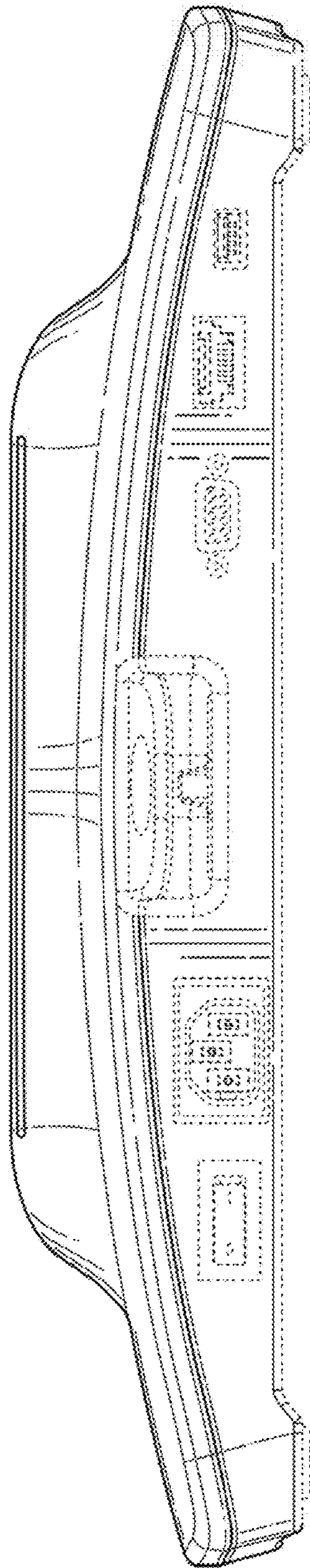


FIG. 24

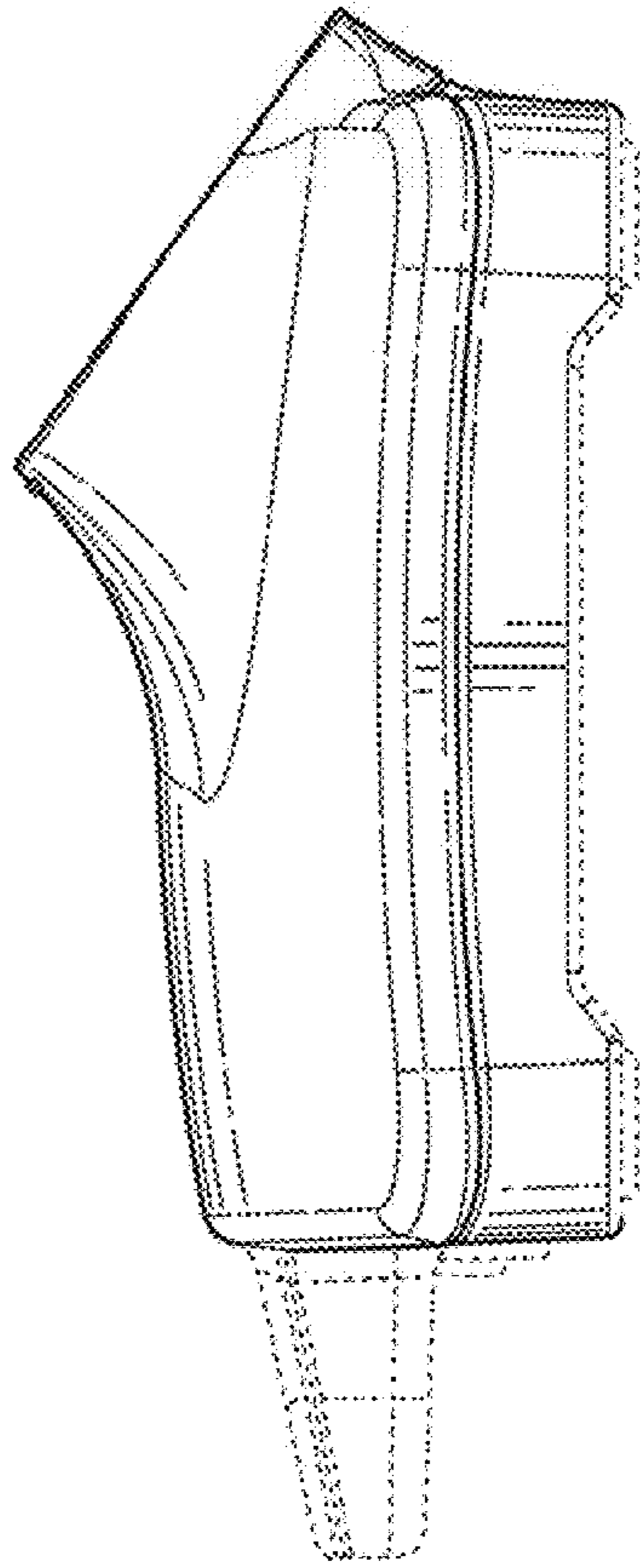


FIG. 25

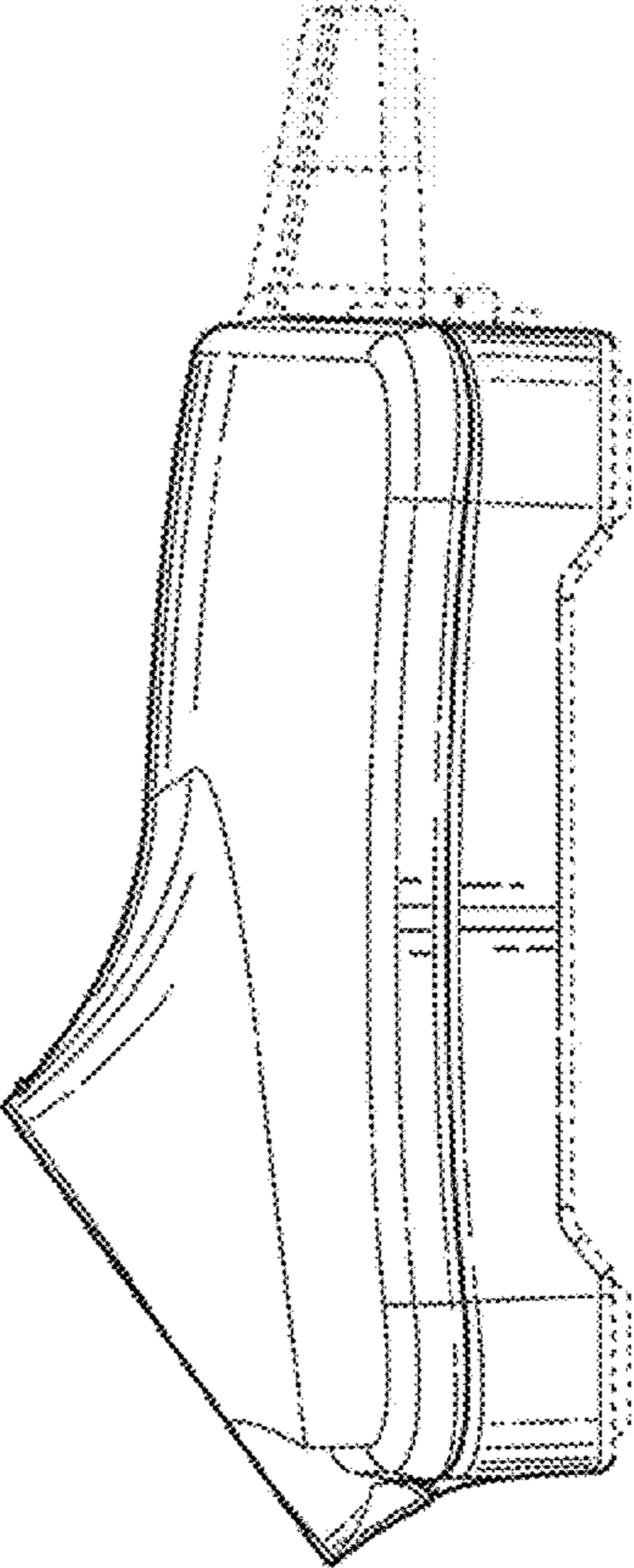


FIG. 26



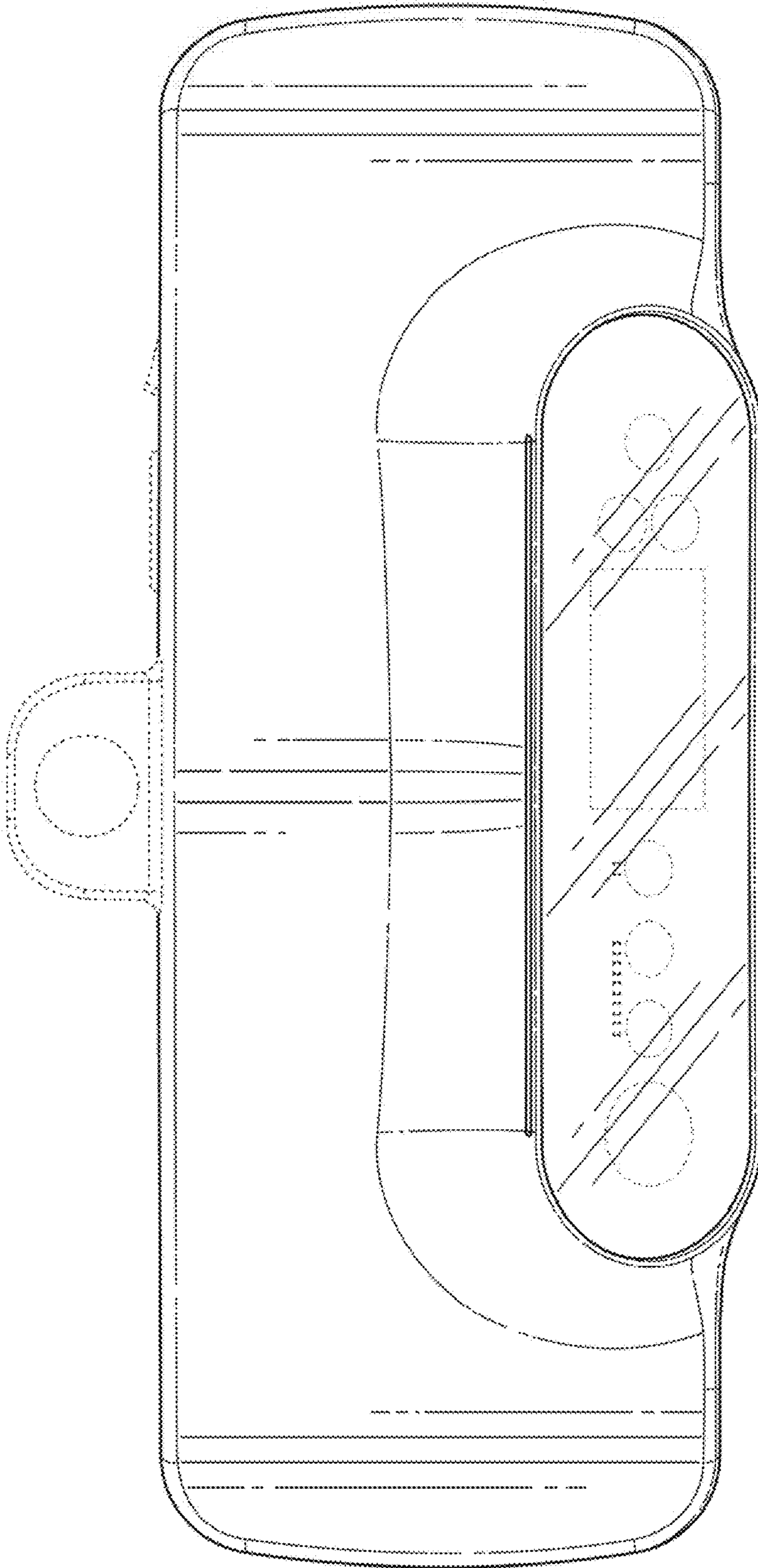


FIG. 27

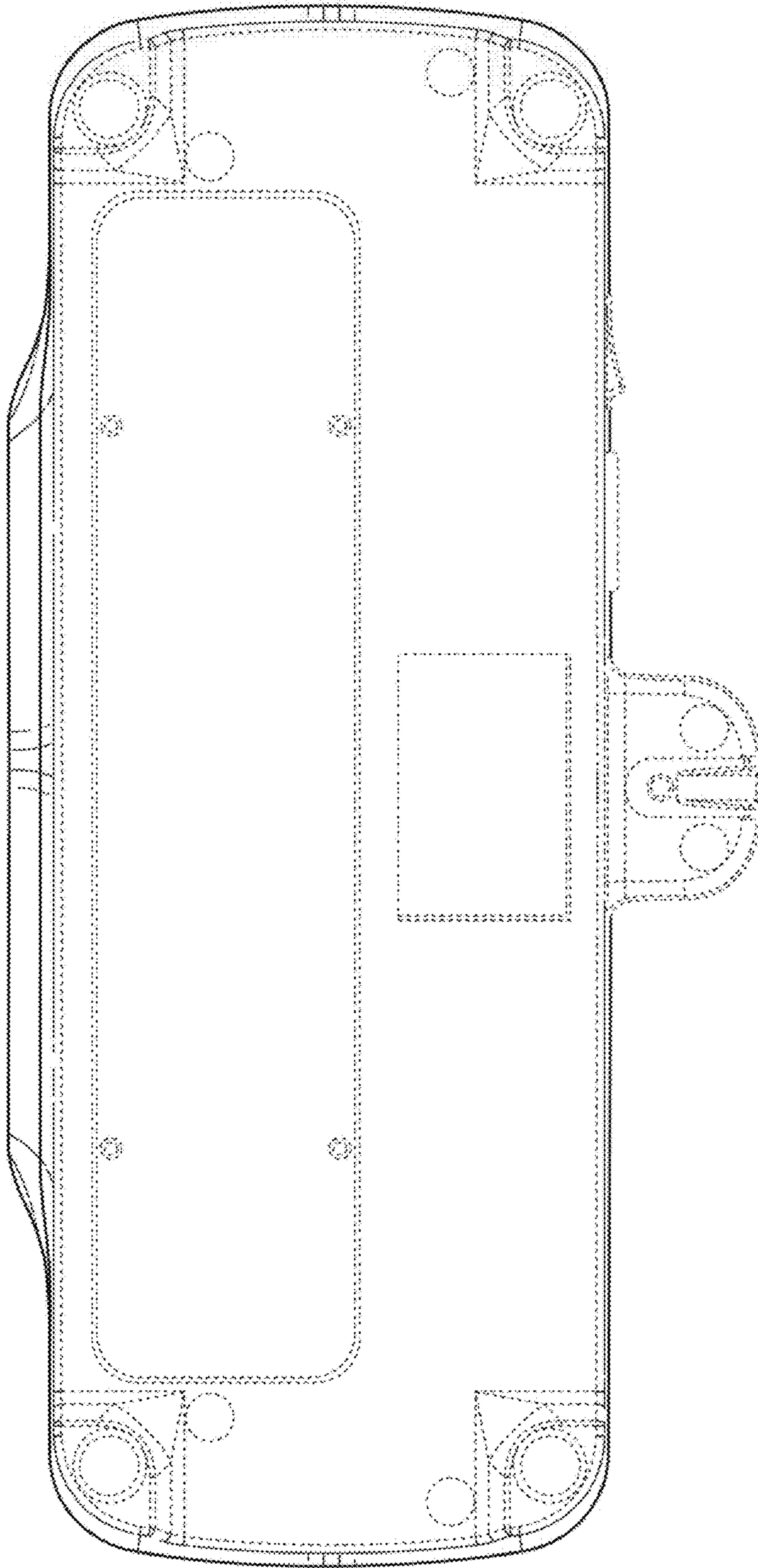


FIG. 28