

US00D869668S

(12) **United States Design Patent** (10) **Patent No.:** **US D869,668 S**
Lv (45) **Date of Patent:** **** Dec. 10, 2019**

(54) **FEEDING BOTTLE**
(71) Applicant: **Shaoxing Morocomo Baby Products Co., Ltd**, Shengzhou (CN)
(72) Inventor: **Wenda Lv**, Shengzhou (CN)
(73) Assignee: **SHAOXING MOROCOMO BABY PRODUCTS CO., LTD**, Shengzhou (CN)

D532,112 S * 11/2006 Lornage D24/197
D538,939 S * 3/2007 Conaway D24/197
D551,021 S * 9/2007 Rouso D7/510
D559,622 S * 1/2008 Carreno D7/510
D559,624 S * 1/2008 Carreno D7/510
D589,153 S * 3/2009 Rosales D24/197
D595,417 S * 6/2009 Driver D24/197
D609,527 S * 2/2010 Roehrig D24/197
D617,465 S * 6/2010 Hakim D24/197

(Continued)

(**) Term: **15 Years**
(21) Appl. No.: **29/629,355**
(22) Filed: **Dec. 13, 2017**

(30) **Foreign Application Priority Data**
Jun. 20, 2017 (CN) 2017 3 02541552
Jun. 20, 2017 (CN) 2017 3 02541567
(51) **LOC (12) Cl.** **07-01**
(52) **U.S. Cl.**
USPC **D24/197**
(58) **Field of Classification Search**
USPC D24/197, 199; D7/392.1, 393, 394,
D7/396.2, 510, 511, 532, 534, 606
CPC . A61J 9/0623; A61J 11/008; A61J 9/00; A61J
9/0669; A47G 19/2272
See application file for complete search history.

(56) **References Cited**
U.S. PATENT DOCUMENTS

D211,434 S * 6/1968 Atkin D24/197
D315,212 S * 3/1991 Oknuki D24/197
D341,892 S * 11/1993 Yagi D24/197
D368,529 S * 4/1996 Allegre D24/197
D435,108 S * 12/2000 Chomik D24/197
D441,087 S * 4/2001 Johansen D24/197
D459,155 S * 6/2002 Atkin D7/510
D478,669 S * 8/2003 Wear D24/197
D515,867 S * 2/2006 Randolph D7/392.1

OTHER PUBLICATIONS

“Facebook—Morocomo.” Found online Jun. 25, 2019 at www.facebook.com. Post dated Sep. 10, 2015. Retrieved from URL: https://www.facebook.com/Morocomo.baby/photos/a.1633706133537290/1634402186801018/?type=3&theater (Year: 2015).*

Primary Examiner — Garth Rademaker
Assistant Examiner — Katelin G Kloberg
(74) *Attorney, Agent, or Firm* — Gokalp Bayramoglu

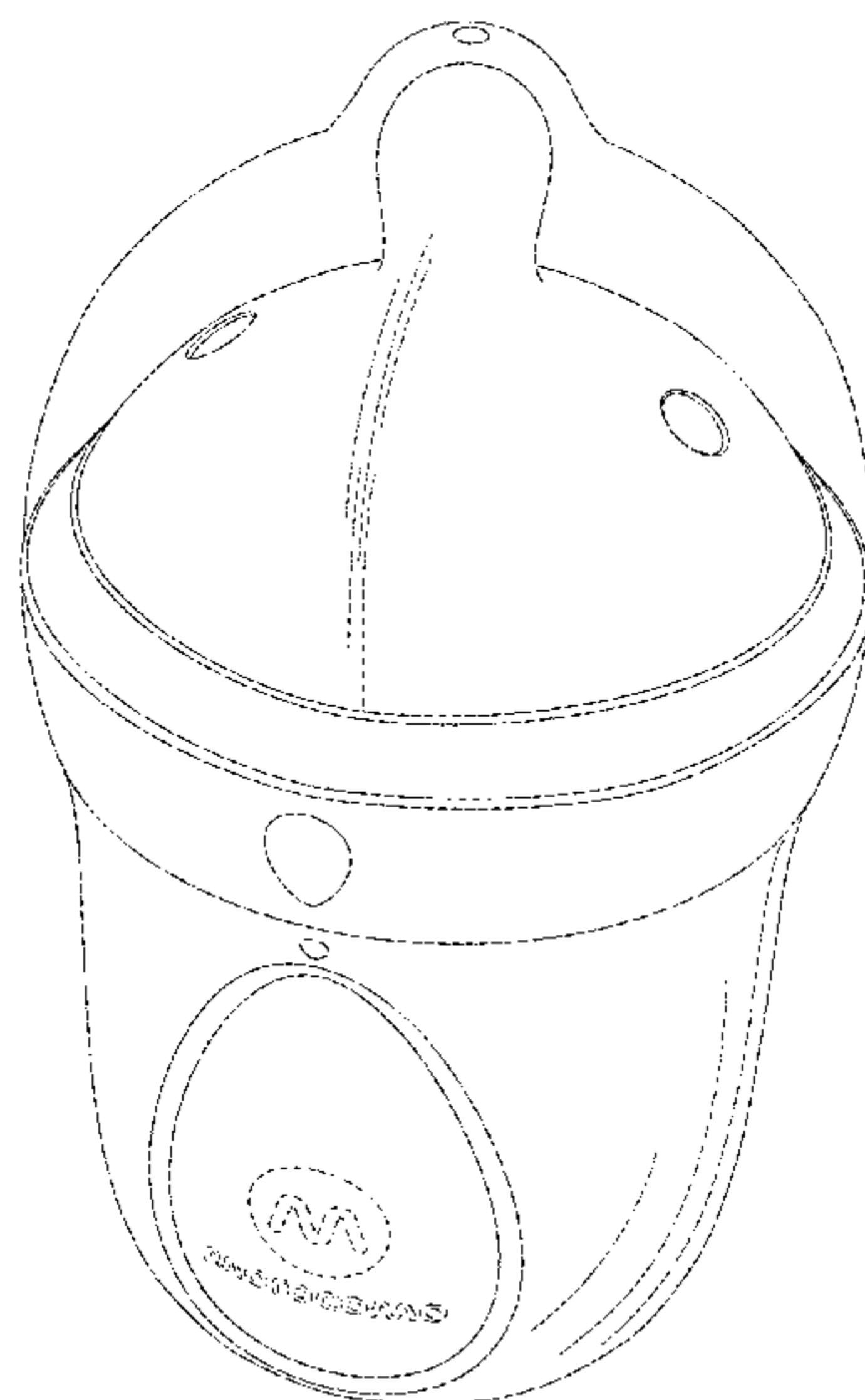
(57) **CLAIM**

The ornamental design for a feeding bottle, as shown and described.

DESCRIPTION

FIG. 1 is a front view of a feeding bottle showing my new design;
FIG. 2 is a back view thereof;
FIG. 3 is a right side view thereof;
FIG. 4 is a left side view thereof;
FIG. 5 is a bottom plan view thereof;
FIG. 6 is a top plan view thereof;
FIG. 7 is a top, front, right side perspective view thereof;
FIG. 8 is a top, front, left side perspective view thereof; and,
FIG. 9 is a bottom, rear, right side perspective view thereof.
In the drawings, the broken lines depict portions of the feeding bottle and form no part of the claimed design.

1 Claim, 9 Drawing Sheets



(56)

References Cited

U.S. PATENT DOCUMENTS

D619,851 S * 7/2010 Miller D24/197
 D620,125 S * 7/2010 Rees A61J 11/006
 D635,684 S * 4/2011 Shaikh D24/197
 D642,435 S * 8/2011 Schofield D24/197
 D652,248 S * 1/2012 Valderrama D7/392.1
 D666,731 S * 9/2012 Mustecaplioğlu D24/197
 D674,102 S * 1/2013 Smith D24/197
 D675,877 S * 2/2013 Thomas D7/510
 D676,709 S * 2/2013 Thomas D7/510
 D679,948 S * 4/2013 Meyer D24/197
 D681,217 S * 4/2013 Smith D24/197
 D683,185 S * 5/2013 Thomas D7/510
 D683,189 S * 5/2013 Thomas D7/510
 D683,589 S * 6/2013 Itzek D7/510
 D686,740 S * 7/2013 Boonprasop D24/197
 D696,410 S * 12/2013 Tollman D24/197
 8,720,712 B1 * 5/2014 Faber A61J 11/0015
 D713,687 S * 9/2014 Lv D7/510
 D715,099 S * 10/2014 Lv D7/510
 D718,090 S * 11/2014 Roehrig D7/510
 D730,697 S * 6/2015 Johnson D7/510
 D734,095 S * 7/2015 Thomas D24/197

9,138,088 B2 * 9/2015 Kemper A47G 19/2272
 D747,920 S * 1/2016 Hakim D7/396.2
 D748,434 S * 2/2016 Thalmann D7/510
 D748,435 S * 2/2016 Thalmann D7/510
 D749,745 S * 2/2016 Prentice D24/197
 D750,439 S * 3/2016 Saxton D7/509
 D764,235 S * 8/2016 Parker D7/510
 D793,167 S * 8/2017 Schlegel D7/510
 D796,906 S * 9/2017 Schlegel D7/510
 D800,506 S * 10/2017 Wu D7/534
 D815,905 S * 4/2018 Schlegel D7/510
 D817,083 S * 5/2018 Magovern, III D7/392.1
 D821,815 S * 7/2018 Chung D7/510
 D825,271 S * 8/2018 Valderrama D7/534
 D831,432 S * 10/2018 Lv D7/606
 D836,986 S * 1/2019 Davies D7/510
 D838,139 S * 1/2019 Cudworth D7/510
 D840,748 S * 2/2019 Lv D7/392.1
 2005/0056614 A1 * 3/2005 Morano A47G 19/2272
 215/396
 2011/0056968 A1 * 3/2011 McNamara A47G 19/2272
 220/714
 2012/0305515 A1 * 12/2012 Wu A61J 9/006
 215/11.1
 2016/0081884 A1 * 3/2016 Palmer A61J 9/00
 215/11.5

* cited by examiner

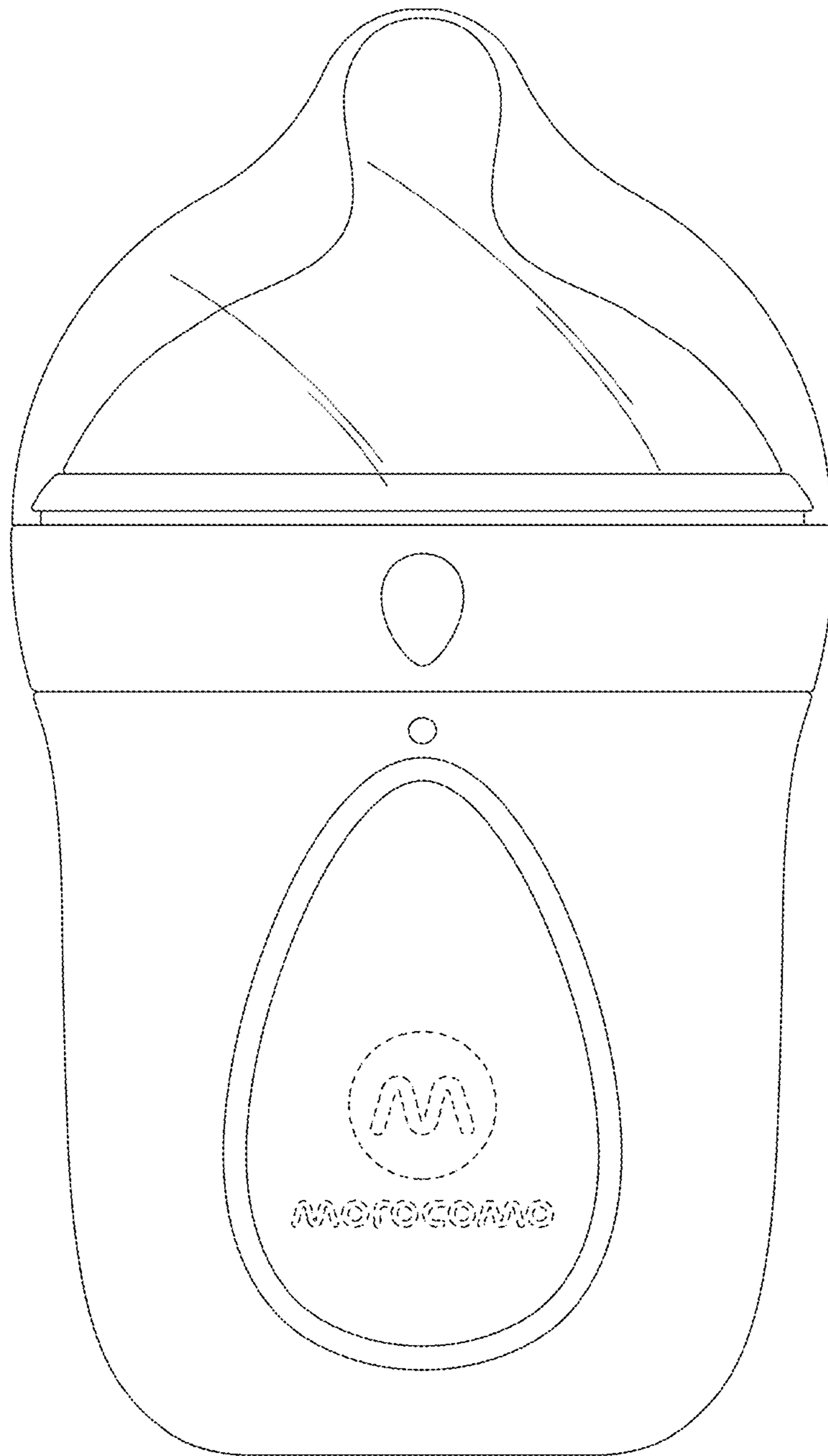


Fig. 1

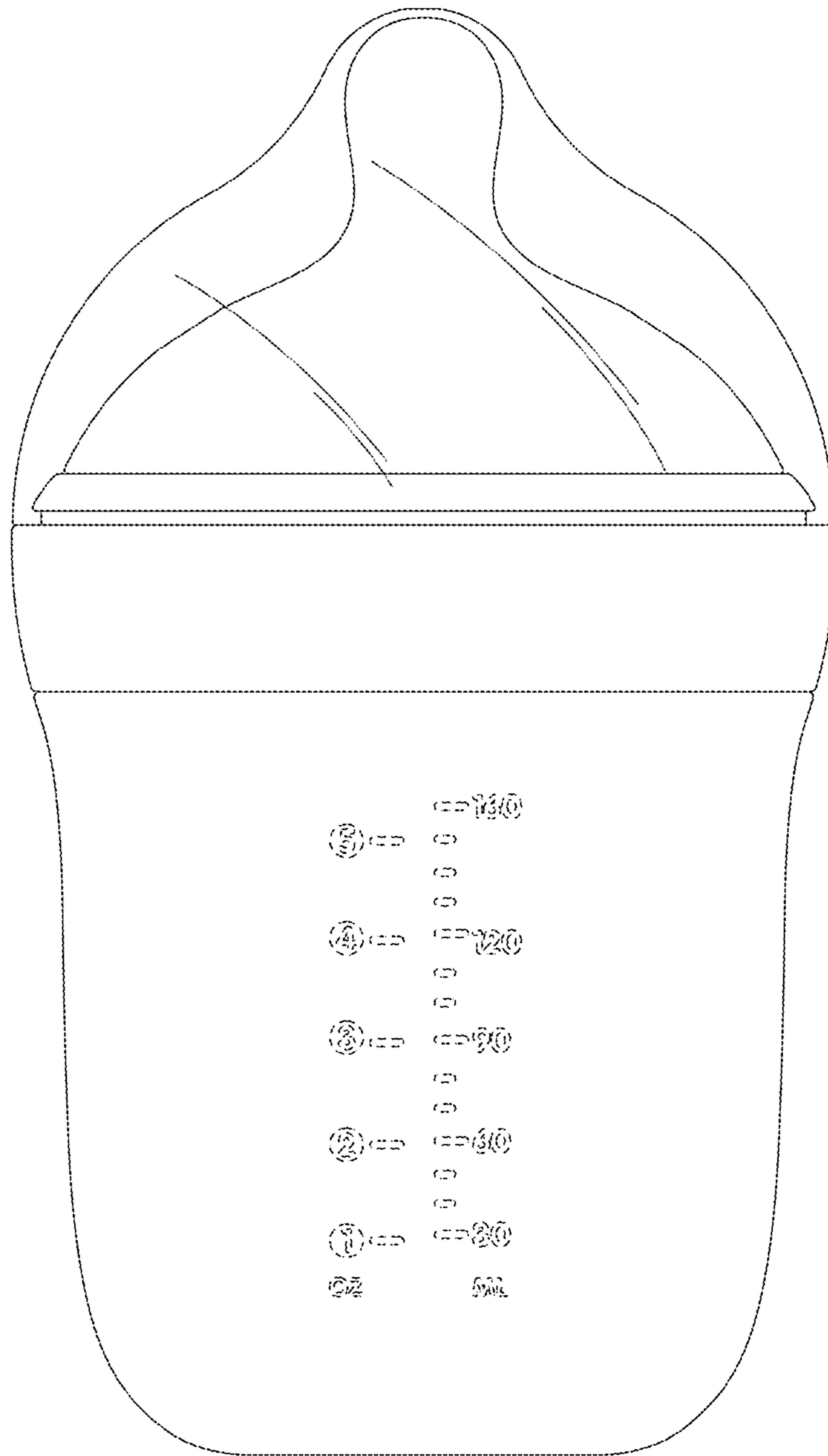


Fig. 2

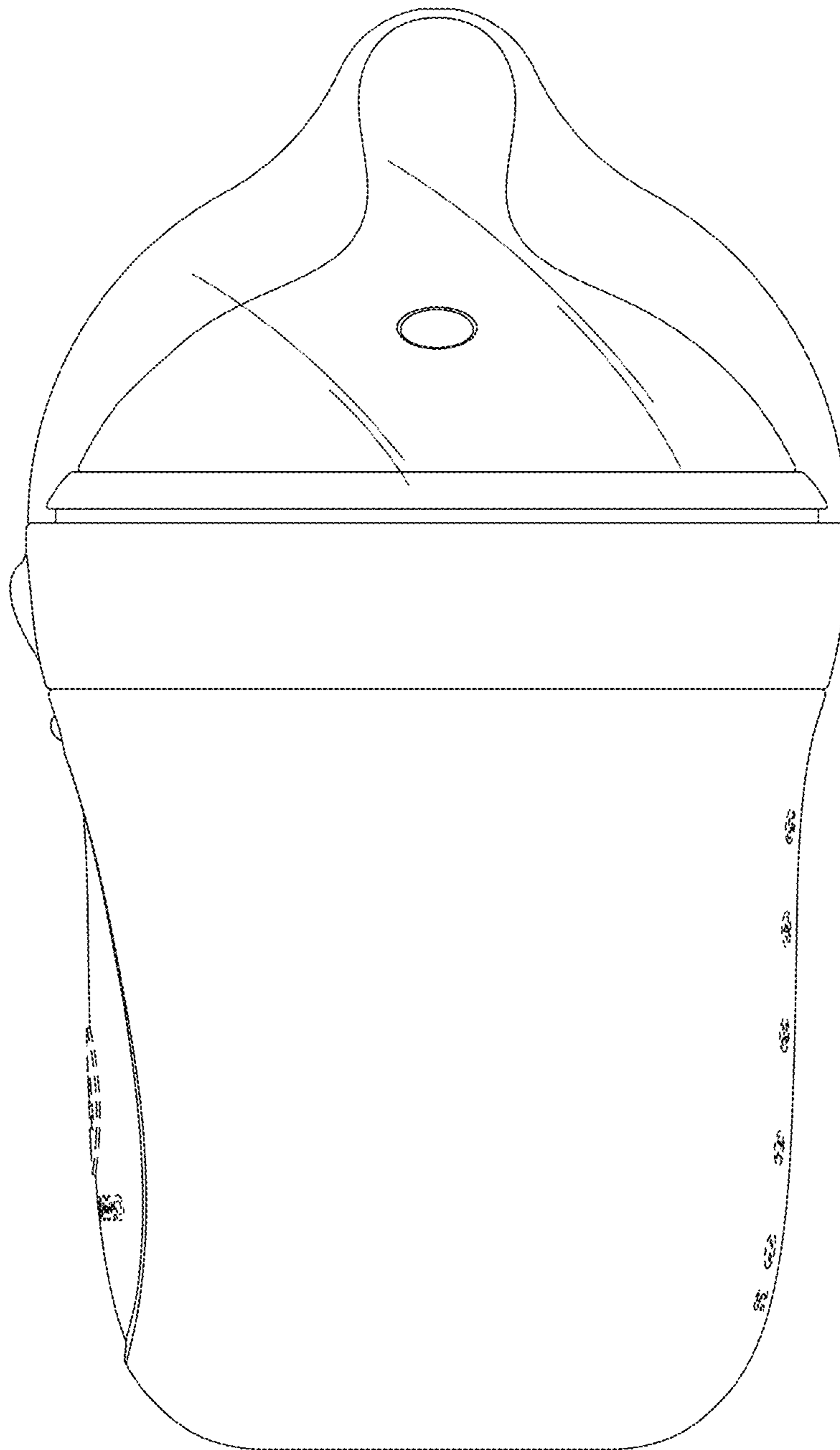


Fig. 3

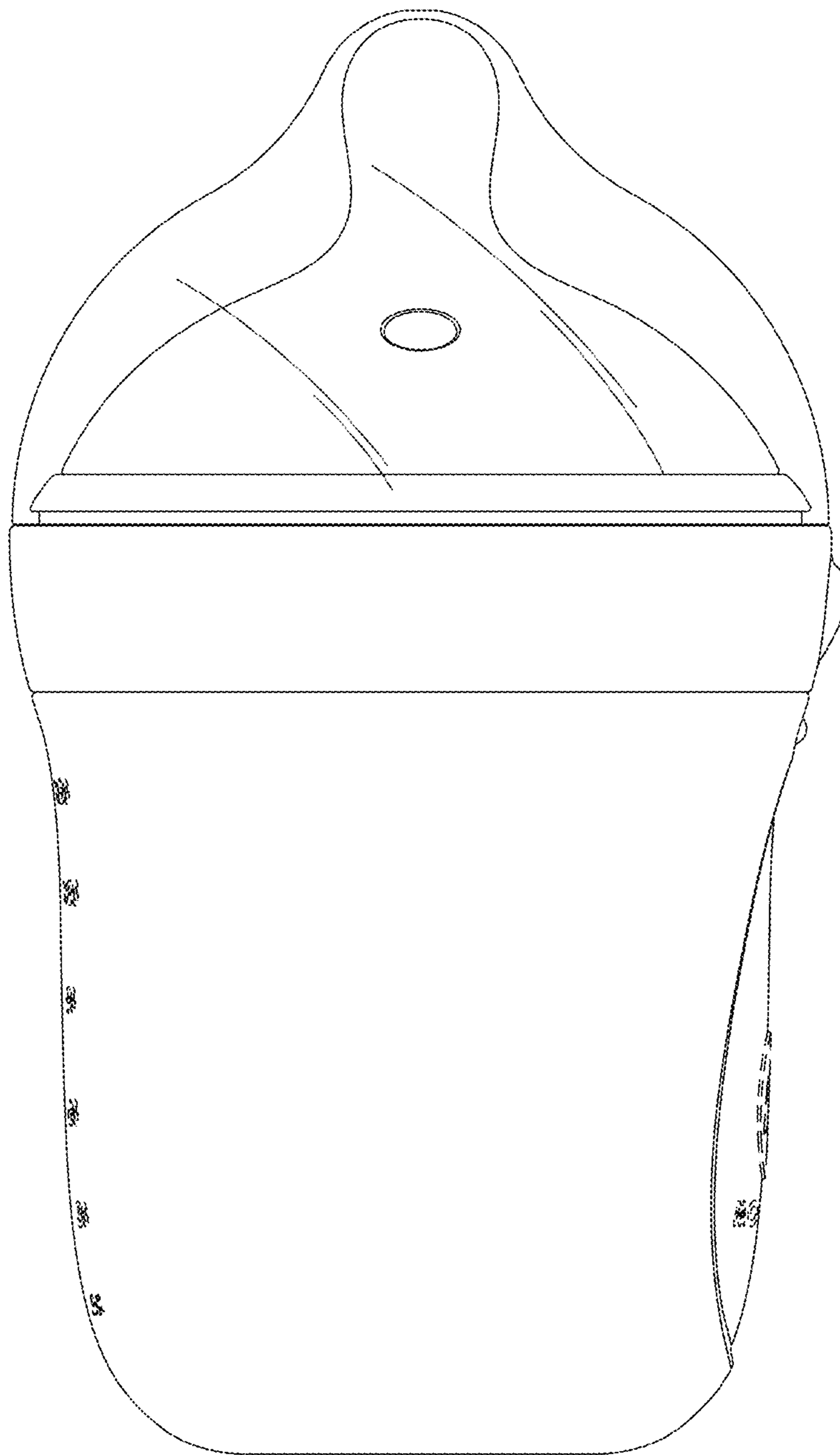


Fig. 4

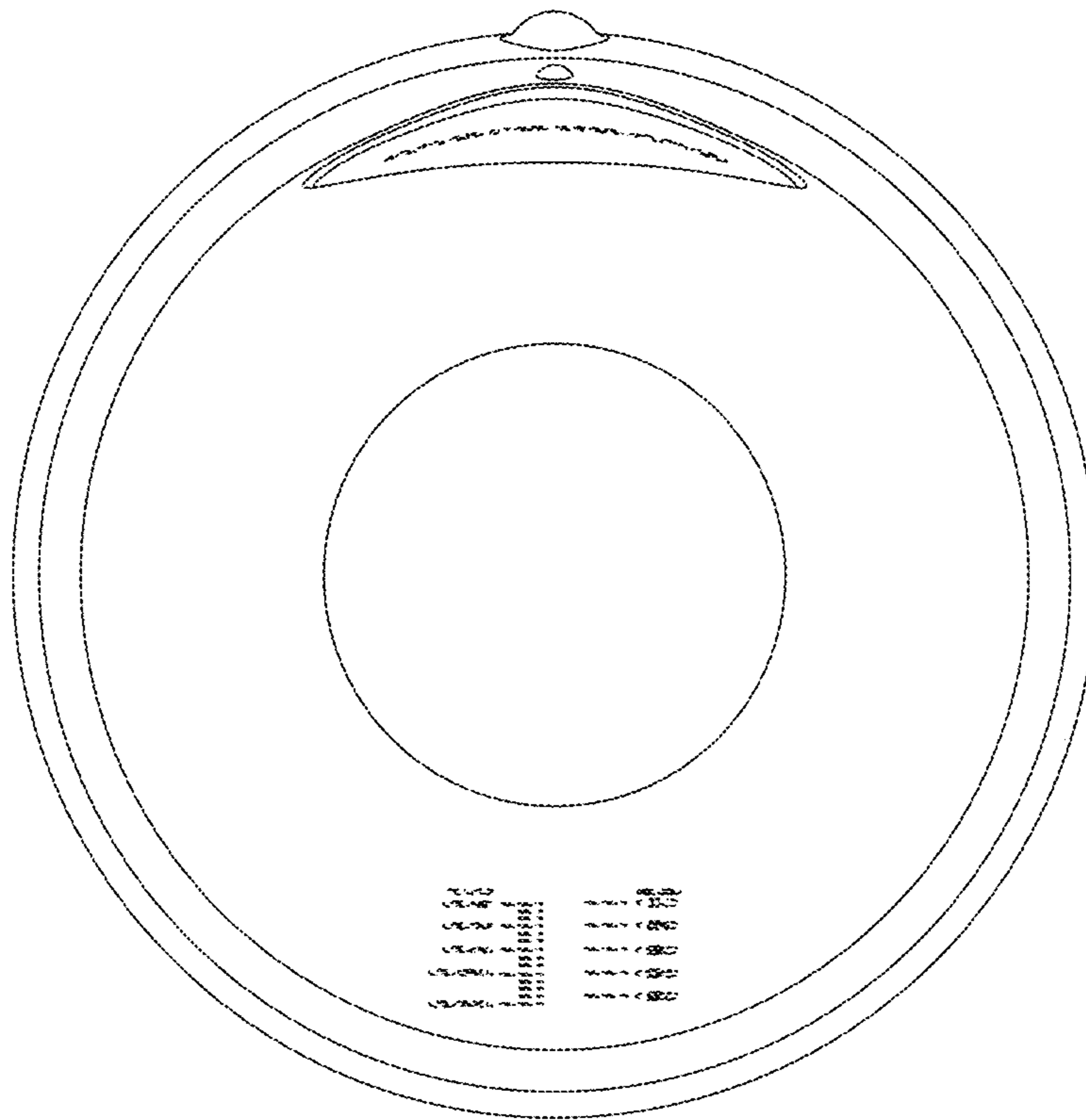


Fig. 5

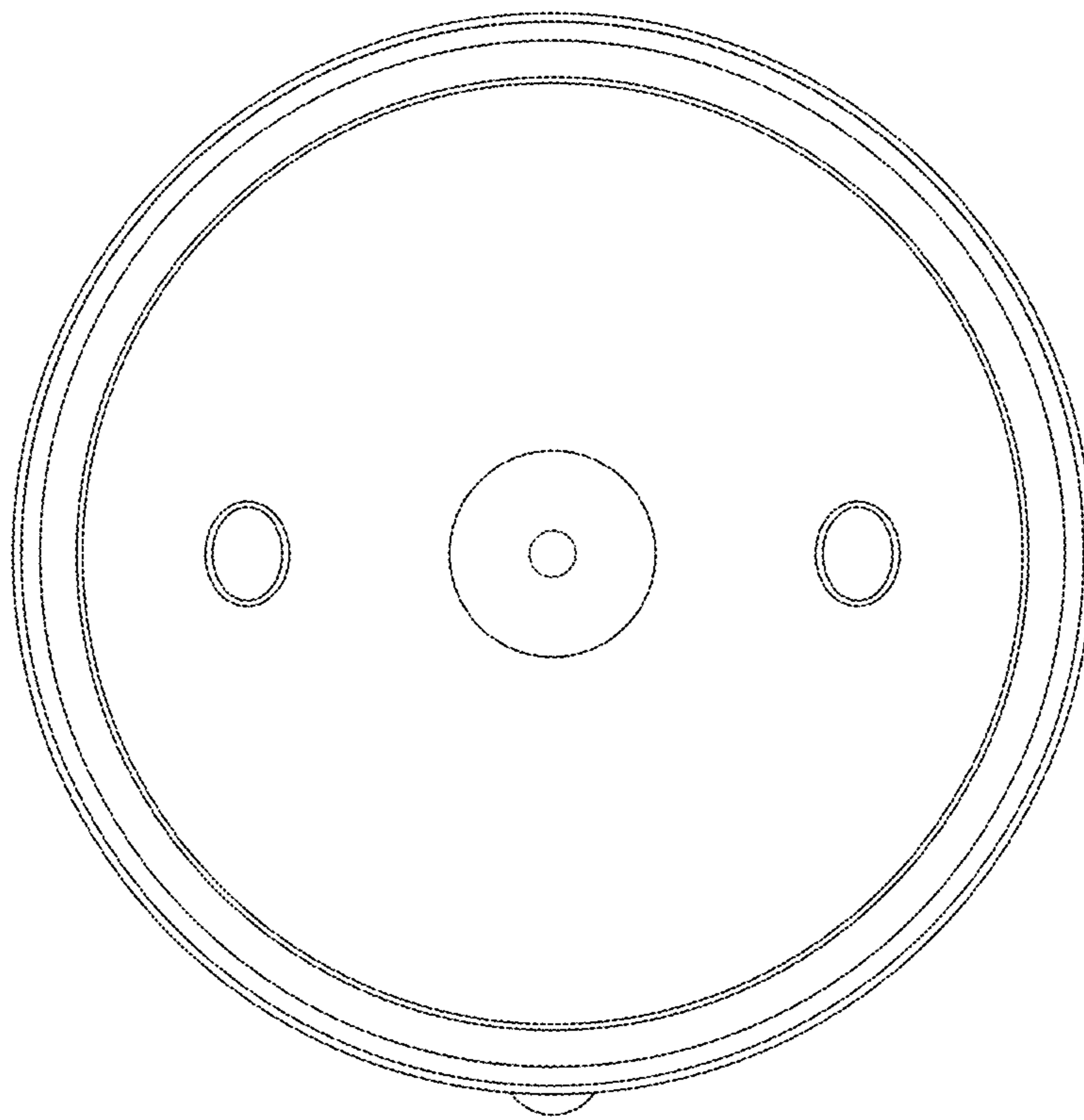


Fig. 6

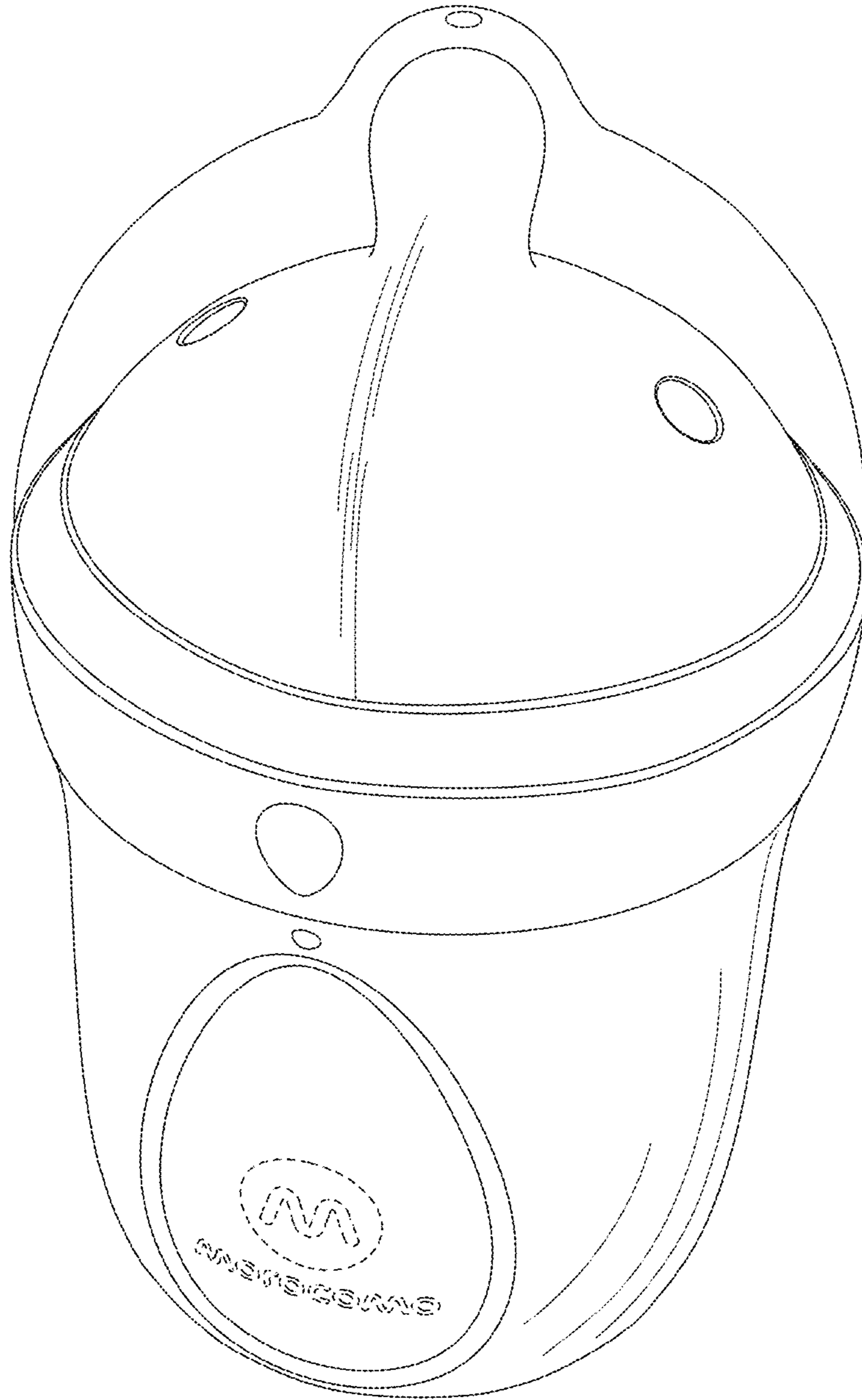


Fig. 7

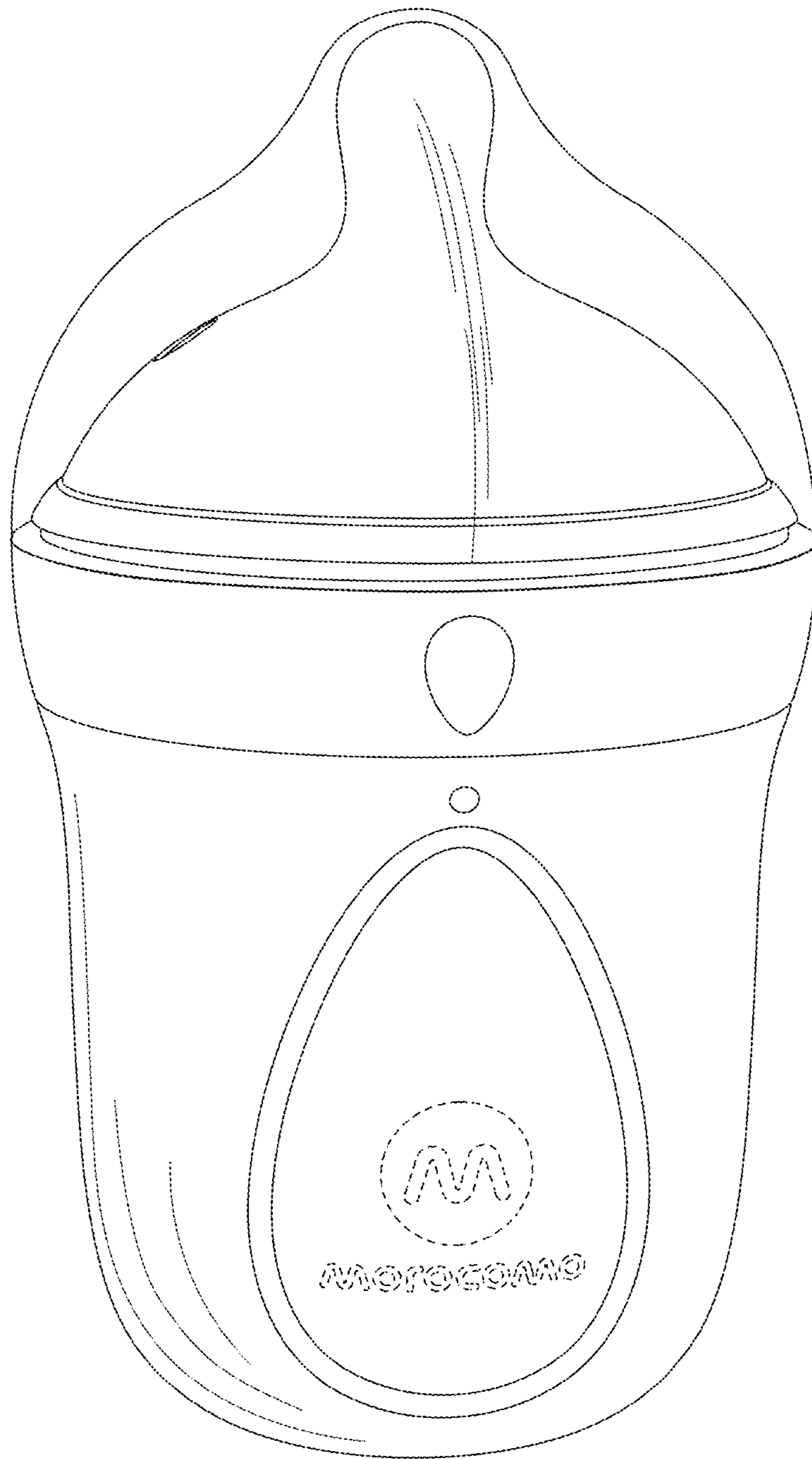


Fig. 8

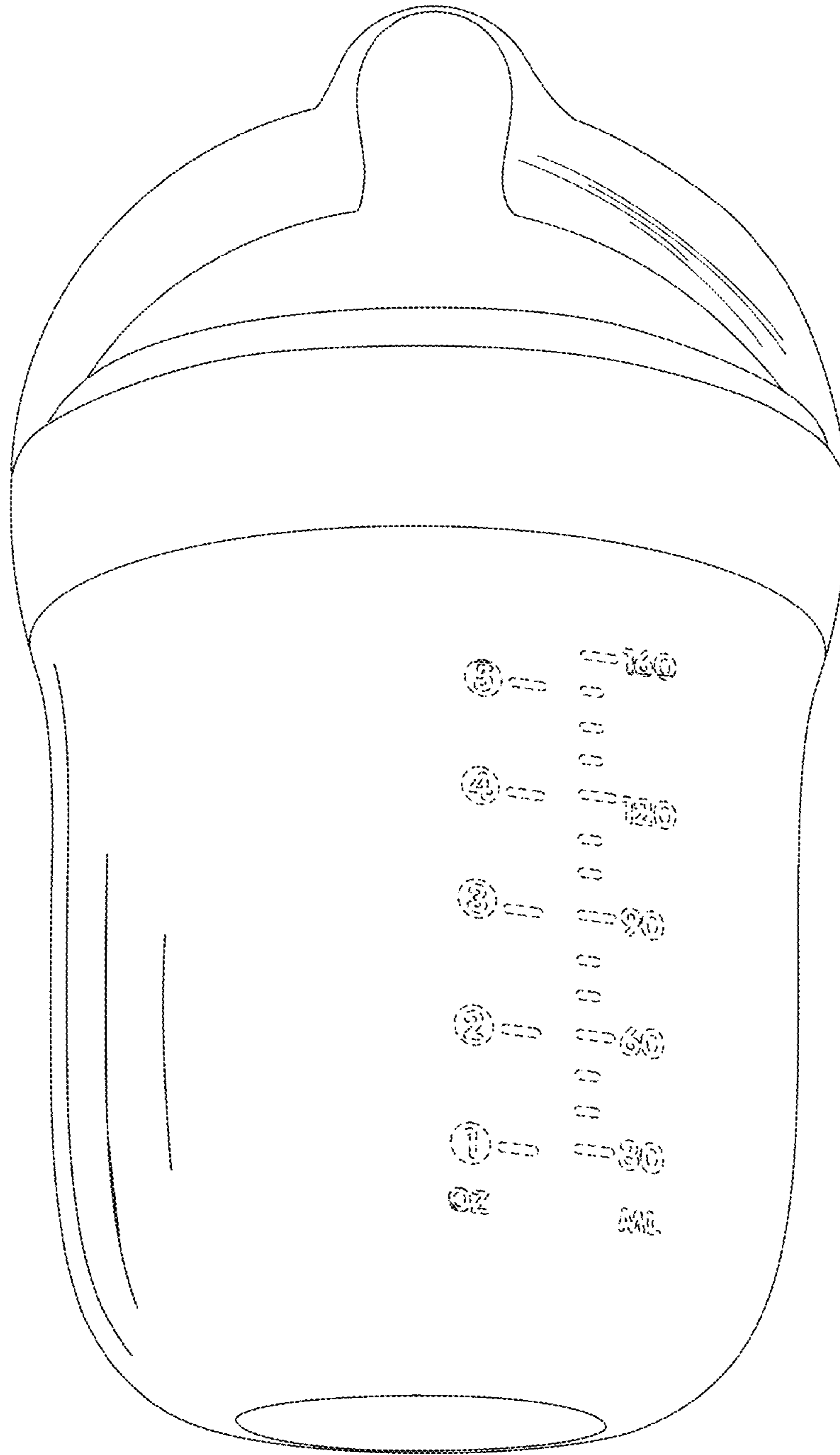


Fig. 9