



US00D869667S

(12) **United States Design Patent** (10) **Patent No.:** **US D869,667 S**
Daken et al. (45) **Date of Patent:** **** Dec. 10, 2019**

(54) **STAY FOR A WRIST BRACE**
(71) Applicant: **MUELLER SPORTS MEDICINE, INC.**, Prairie du Sac, WI (US)
(72) Inventors: **Kayla Daken**, Prairie du Sac, WI (US); **Michael R. Schmidt**, Milwaukee, WI (US)
(73) Assignee: **Mueller Sports Medicine, Inc.**, Prairie du Sac, WI (US)
(**) Term: **15 Years**
(21) Appl. No.: **29/668,131**
(22) Filed: **Oct. 27, 2018**
(51) **LOC (12) Cl.** **24-01**
(52) **U.S. Cl.**
USPC **D24/190**
(58) **Field of Classification Search**
USPC D24/188-192
CPC A61B 17/3423; A61B 17/0293; A61B 17/3462; A61B 17/3431; A61B 17/0218; A61B 17/3498; A61B 2017/3492; A61B 2017/0225; A61B 2017/3419; A61B 90/40; A61B 2017/3429; A61B 2017/3466; A61B 2017/3445; A61B 2017/3484; A61B 1/32; A61B 2017/00265; A61B 2017/00557; A61B 17/3439; A61F 5/055; A61F 5/445; A61F 5/0118; A61F 5/05875; A61F 2005/0134; A61F 2005/0167; A61F 5/0125
See application file for complete search history.

D443,640 S 6/2001 Schapiro
D466,988 S * 12/2002 Marshall D23/252
D499,184 S 11/2004 Mills
D573,714 S 7/2008 Bybee et al.
D682,358 S * 5/2013 Scollin D20/23
D696,400 S * 12/2013 Brogden D24/135
D813,403 S * 3/2018 Hylton D24/190
D848,626 S * 5/2019 Lavoie D24/192
D857,213 S * 8/2019 Eppele, II D24/190
2001/0056252 A1 * 12/2001 Bodenschatz A61F 5/0106
602/61
2002/0157681 A1 10/2002 Blazek
2005/0228323 A1 * 10/2005 Tornai A61F 5/0118
602/5
2006/0089583 A1 * 4/2006 Reinhardt A61F 5/0118
602/21

(Continued)

Primary Examiner — Jennifer L Watkins
(74) *Attorney, Agent, or Firm* — Rick L. Abegglen

(57) **CLAIM**

We claim the ornamental design for a stay for a wrist brace, as shown and described.

DESCRIPTION

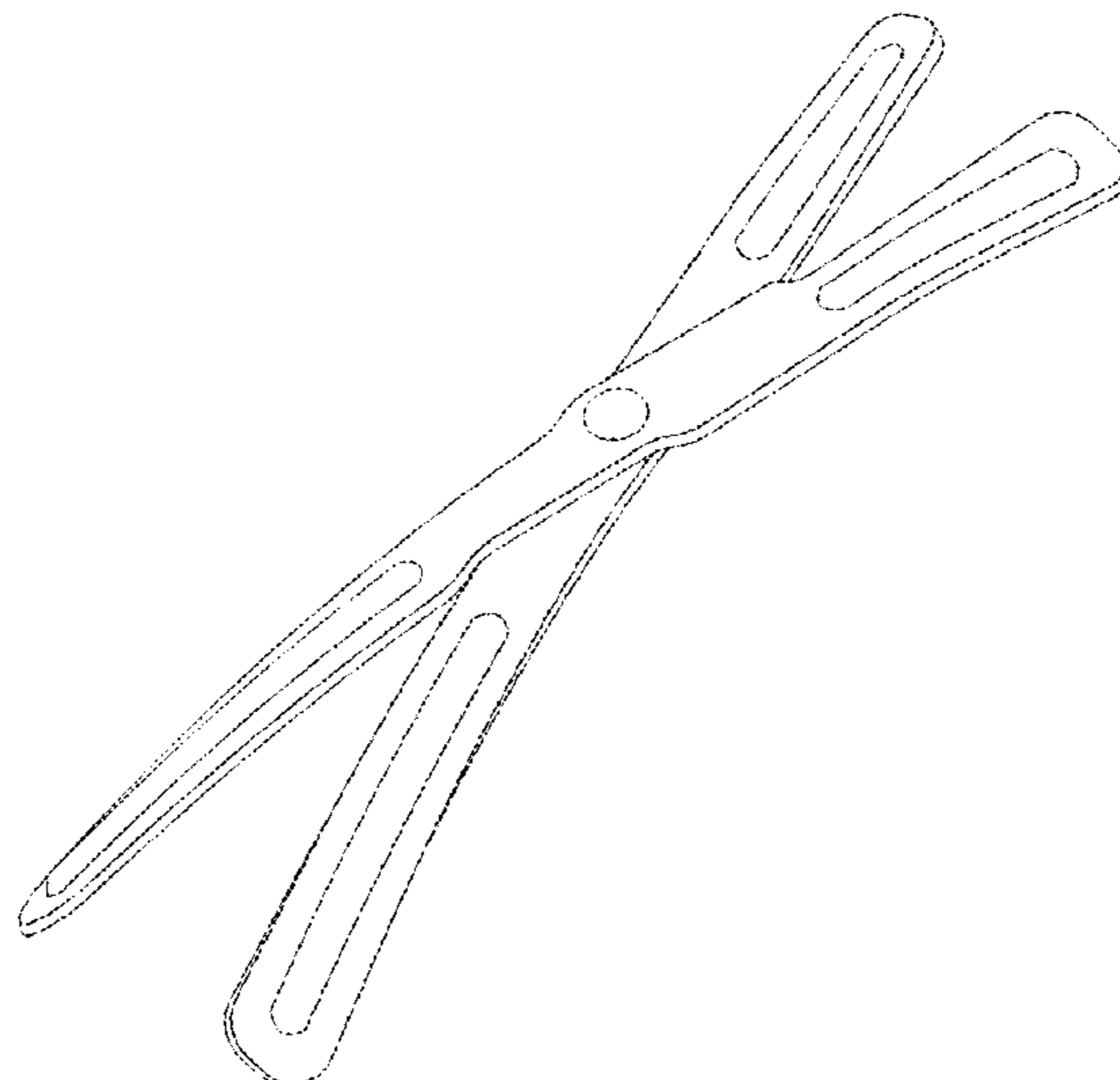
FIG. 1 is a perspective (front, top, left) view of my new design in a stay for a wrist brace;
FIG. 2 is a front elevation view of my new design in the stay for a wrist brace of FIG. 1;
FIG. 3 is a left elevation view of my new design in the stay for a wrist brace of FIG. 1;
FIG. 4 is a back elevation view of my new design in the stay for a wrist brace of FIG. 1;
FIG. 5 is a right elevation view of my new design in the stay for a wrist brace of FIG. 1;
FIG. 6 is a top plan view of my new design in the stay for a wrist brace of FIG. 1; and,
FIG. 7 is a bottom plan view of my new design in the stay for a wrist brace of FIG. 1.

1 Claim, 7 Drawing Sheets

(56) **References Cited**

U.S. PATENT DOCUMENTS

3,030,633 A 4/1962 Chalfin
5,725,490 A 3/1998 Conran
6,120,470 A * 9/2000 Bodenschatz A61F 13/102
602/20
6,200,286 B1 3/2001 Zamani



(56)

References Cited

U.S. PATENT DOCUMENTS

2008/0319365 A1 * 12/2008 Kendrick A61F 5/026
602/19

* cited by examiner

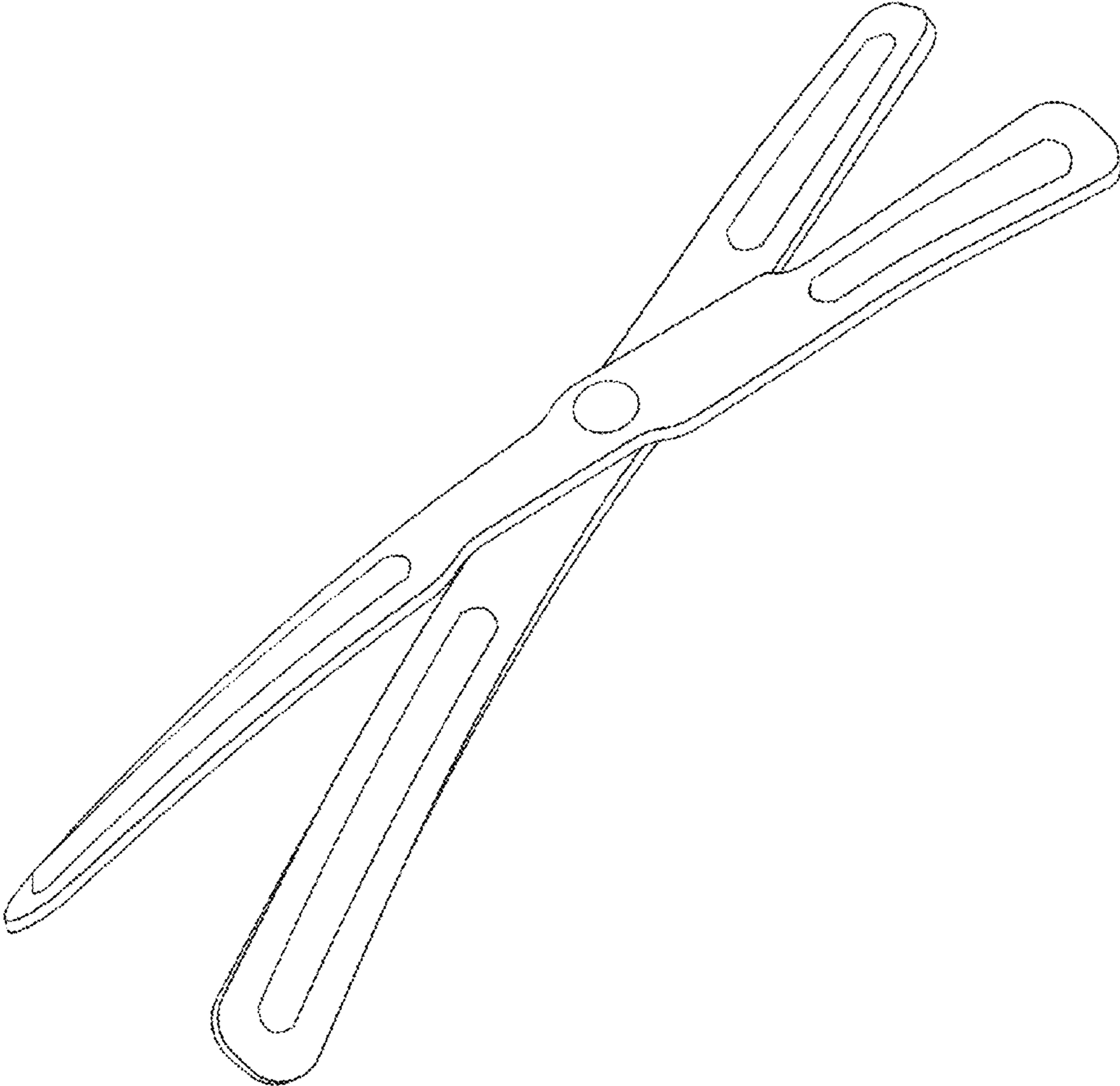


FIG. 1

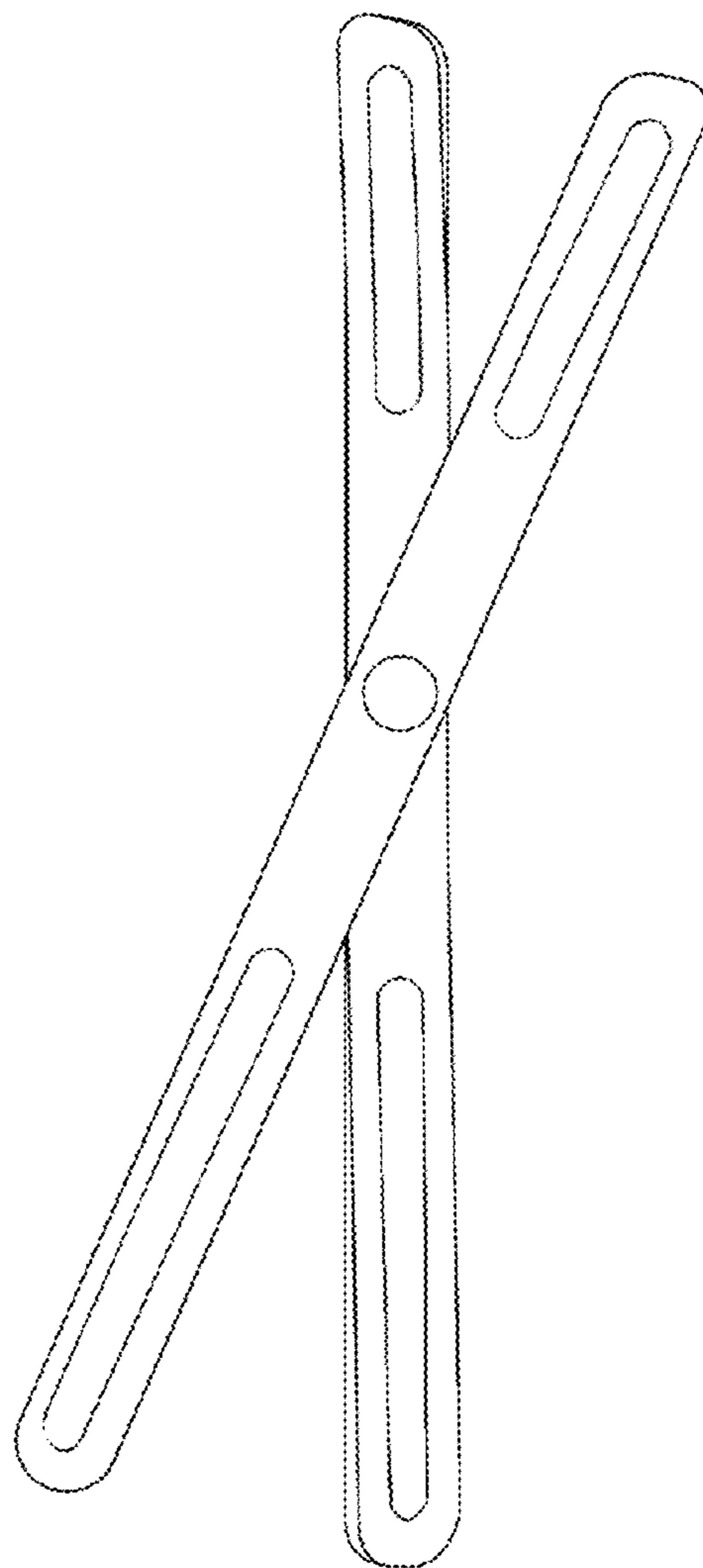


FIG. 2

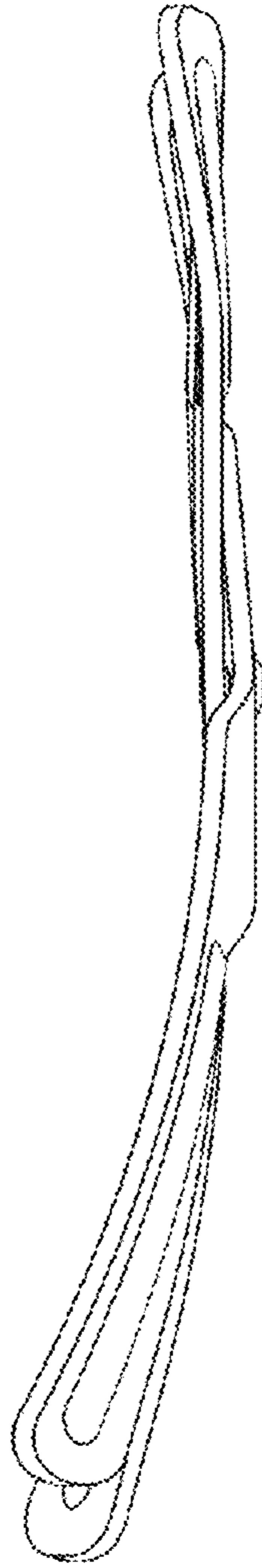


FIG. 3

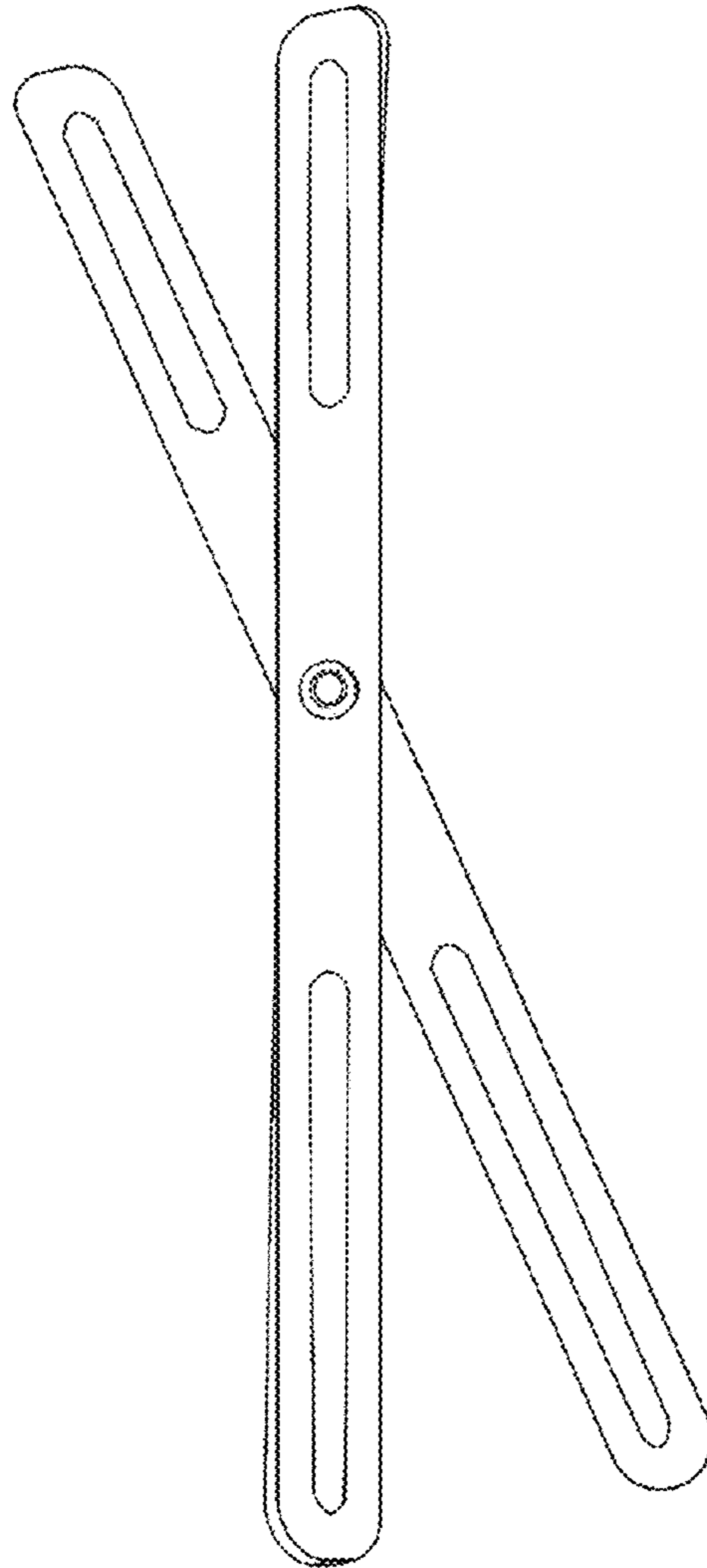


FIG. 4

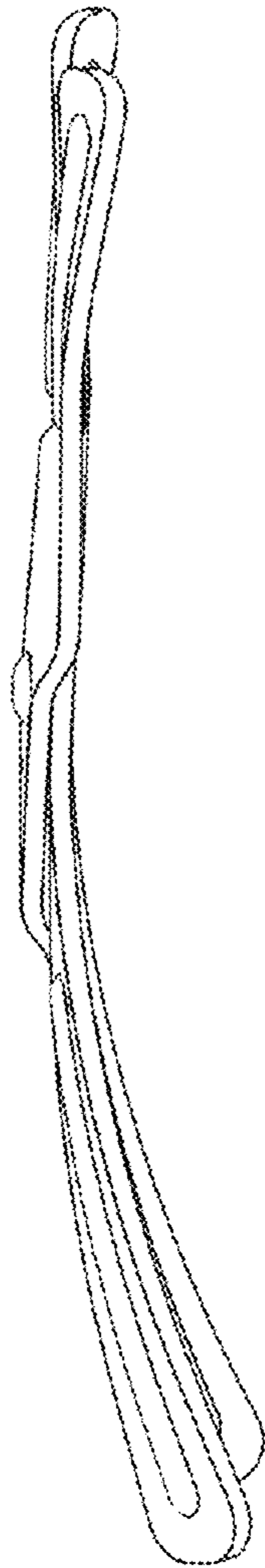


FIG. 5



FIG. 6

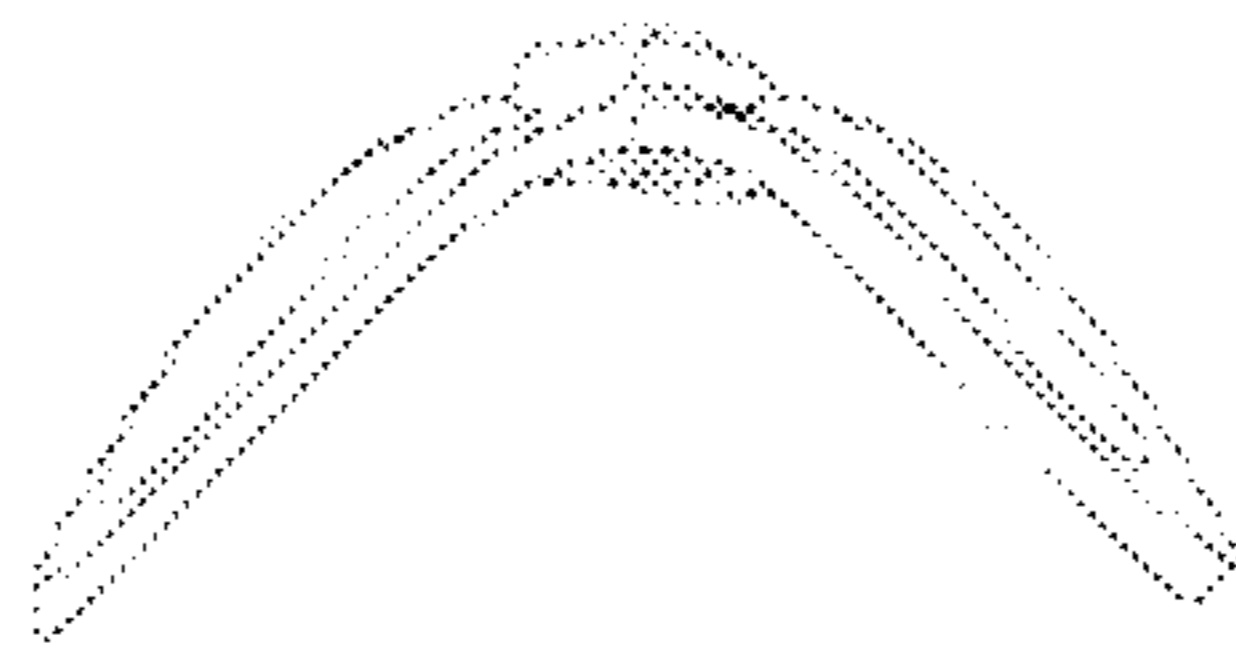


FIG. 7