



US00D869666S

(12) **United States Design Patent**
Michaud

(10) **Patent No.:** **US D869,666 S**

(45) **Date of Patent:** **** Dec. 10, 2019**

(54) **FOOT AND ANKLE STRENGTHENING
DEVICE**

(71) Applicant: **Newton Biomechanics, LLC**, Wayland,
MA (US)

(72) Inventor: **Thomas C. Michaud**, Wayland, MA
(US)

(73) Assignee: **NEWTON BIOMECHANICS, LLC**,
Wayland, MA (US)

(**) Term: **15 Years**

(21) Appl. No.: **29/616,127**

(22) Filed: **Sep. 1, 2017**

(51) **LOC (12) Cl.** **24-04**

(52) **U.S. Cl.**
USPC **D24/188**

(58) **Field of Classification Search**
USPC D24/188, 190-192; D21/662, 680, 683,
D21/685
CPC . A63B 23/085; A63B 23/10; A63B 2023/006;
A63B 21/4015; A63B 23/08; A61H
1/0266; A61H 2205/12; A61H 1/0237
See application file for complete search history.

(56) **References Cited**

U.S. PATENT DOCUMENTS

1,978,244	A *	10/1934	Bach	A63B 23/10 601/27
3,472,508	A *	10/1969	Baker	A63B 21/0004 36/83
D288,370	S *	2/1987	Rinninger	D25/113
D296,193	S *	6/1988	Keeler	D9/435
5,647,072	A *	7/1997	Shaffer	A47K 3/281 4/574.1
D557,127	S *	12/2007	Lee	D8/380
D565,188	S *	3/2008	Pulver	D24/188
D596,246	S *	7/2009	Nofsinger	D21/685
D622,789	S *	8/2010	Gillis	D21/685

D709,968	S *	7/2014	Weiss	D21/662
D719,270	S *	12/2014	Hanson	D24/200
D732,678	S *	6/2015	Hanson	D24/200
D781,435	S *	3/2017	Eastman	D24/213
D797,298	S *	9/2017	Muller	D24/188
D801,583	S *	10/2017	Wade	D28/63
D807,442	S *	1/2018	Ross	D21/662
D813,321	S *	3/2018	Zaki	D21/662
D835,793	S *	12/2018	Zhuang	D24/192
D838,864	S *	1/2019	Levner	D24/224
2004/0009850	A1 *	1/2004	Teff	A63B 21/0552 482/79
2009/0124936	A1 *	5/2009	Branch	A61B 5/1121 600/587
2013/0079694	A1 *	3/2013	Aquino	A61F 5/019 602/30

* cited by examiner

Primary Examiner — Jennifer L Watkins

(74) *Attorney, Agent, or Firm* — RMCK Law Group,
PLC

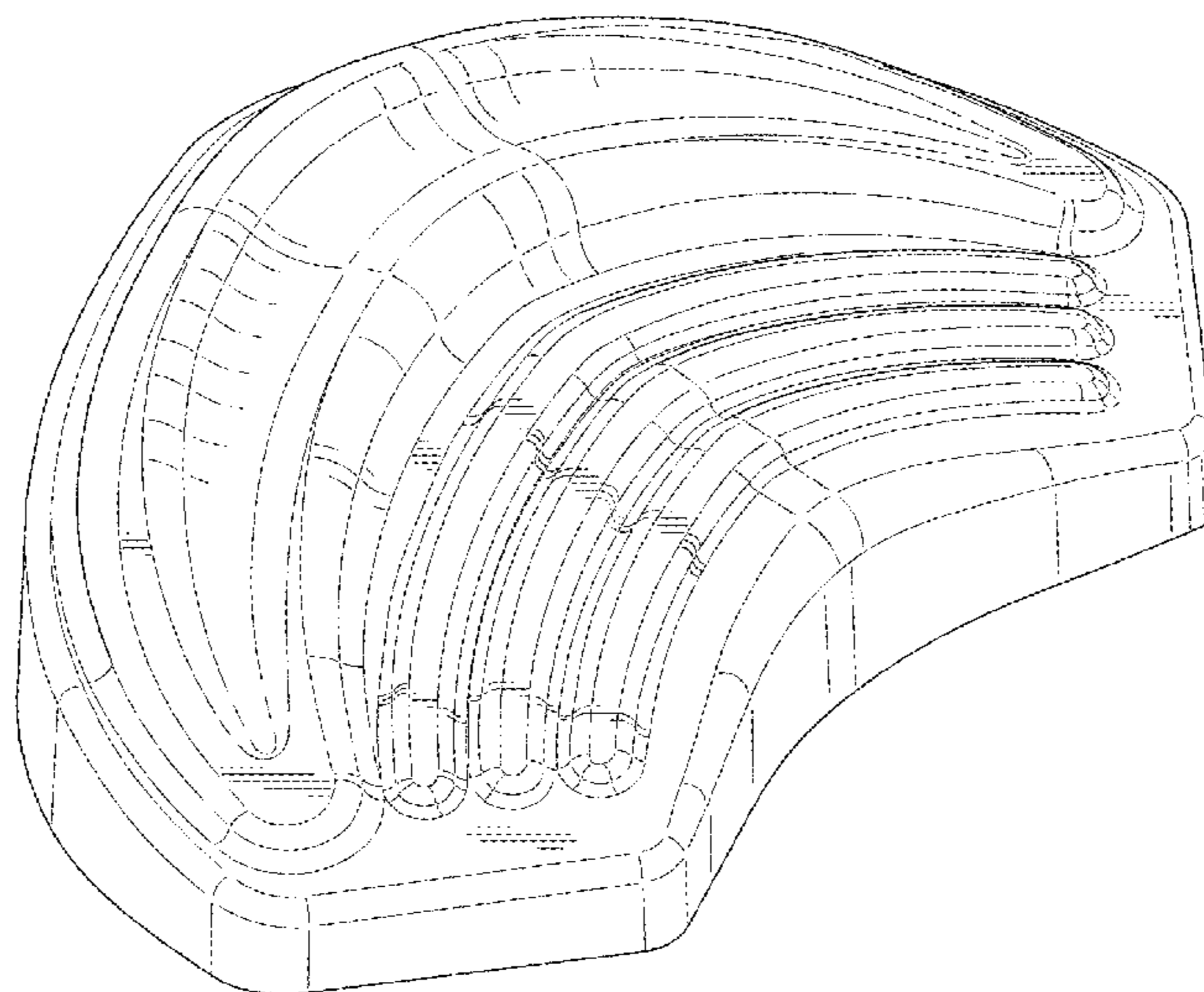
(57) **CLAIM**

The ornamental design for a foot and ankle strengthening device, as shown and described.

DESCRIPTION

FIG. 1 is a perspective view of a foot and ankle strengthening device;
FIG. 2 is a top view of the foot and ankle strengthening device of FIG. 1;
FIG. 3 is a side view of the foot and ankle strengthening device of FIG. 1;
FIG. 4 is an opposite view of FIG. 3;
FIG. 5 is a front view of the foot and ankle strengthening device of FIG. 1;
FIG. 6 is a rear view of the foot and ankle strengthening device of FIG. 1; and,
FIG. 7 is a bottom view of the foot and ankle strengthening device of FIG. 1.

1 Claim, 5 Drawing Sheets



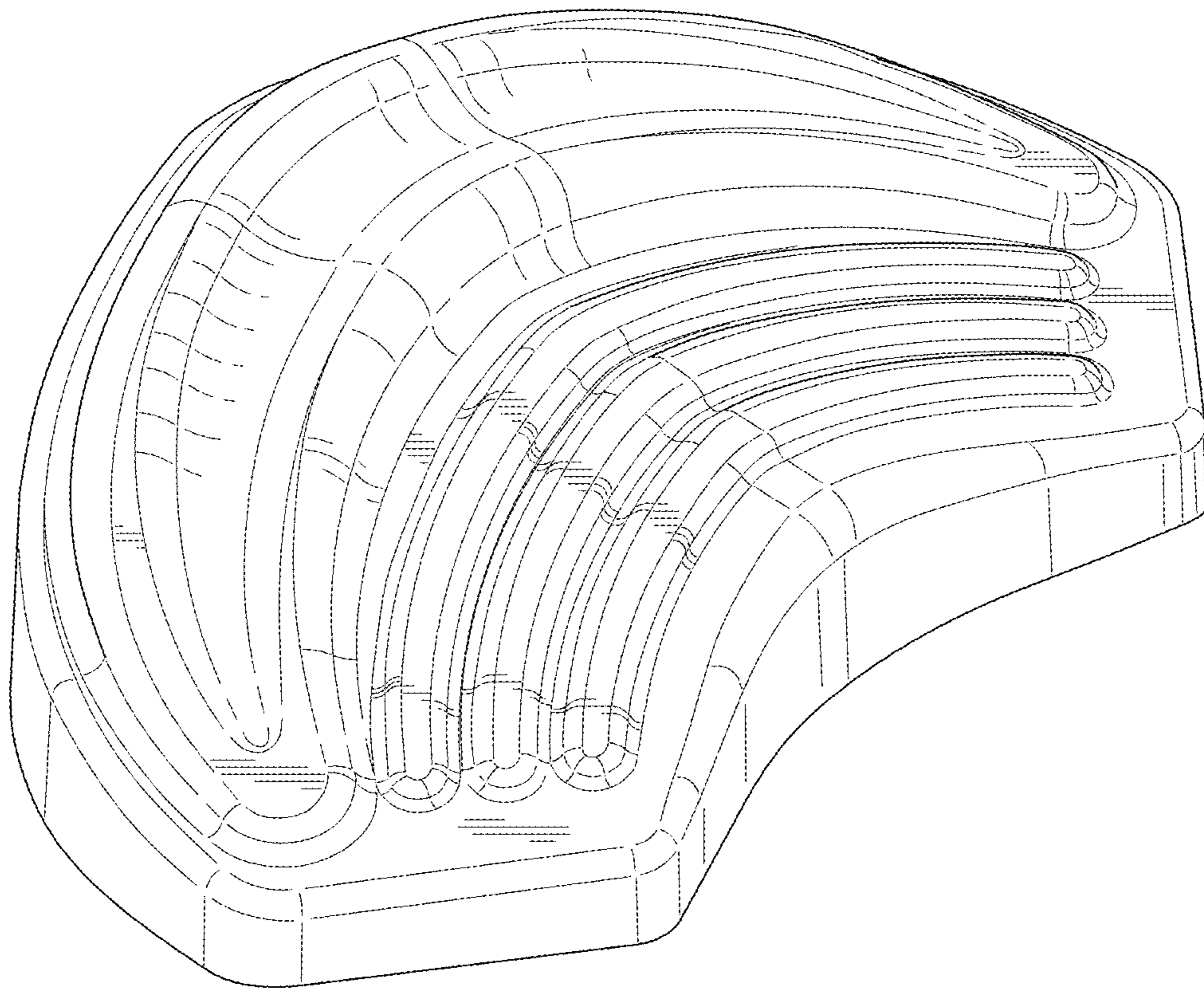


FIG. 1

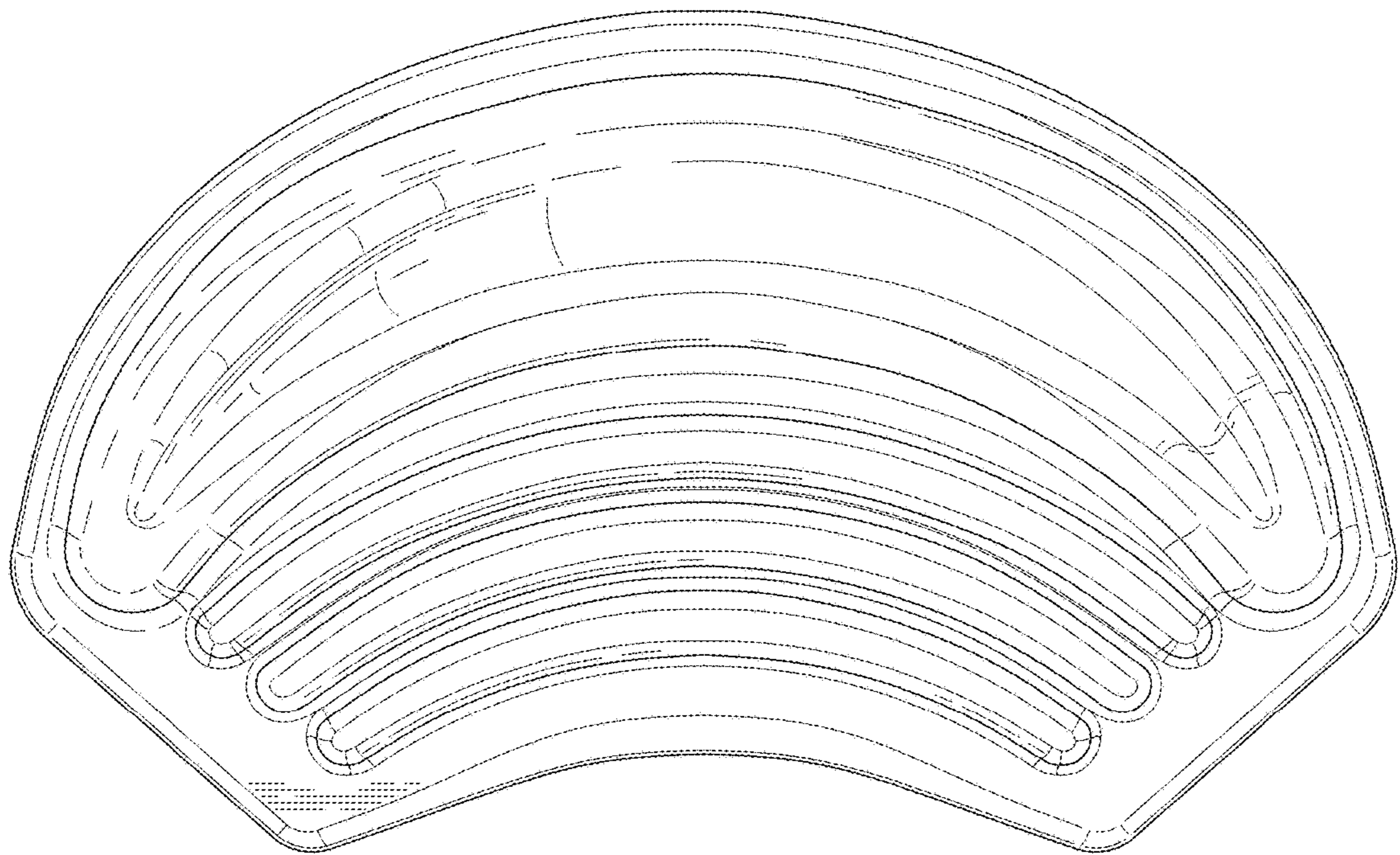


FIG. 2

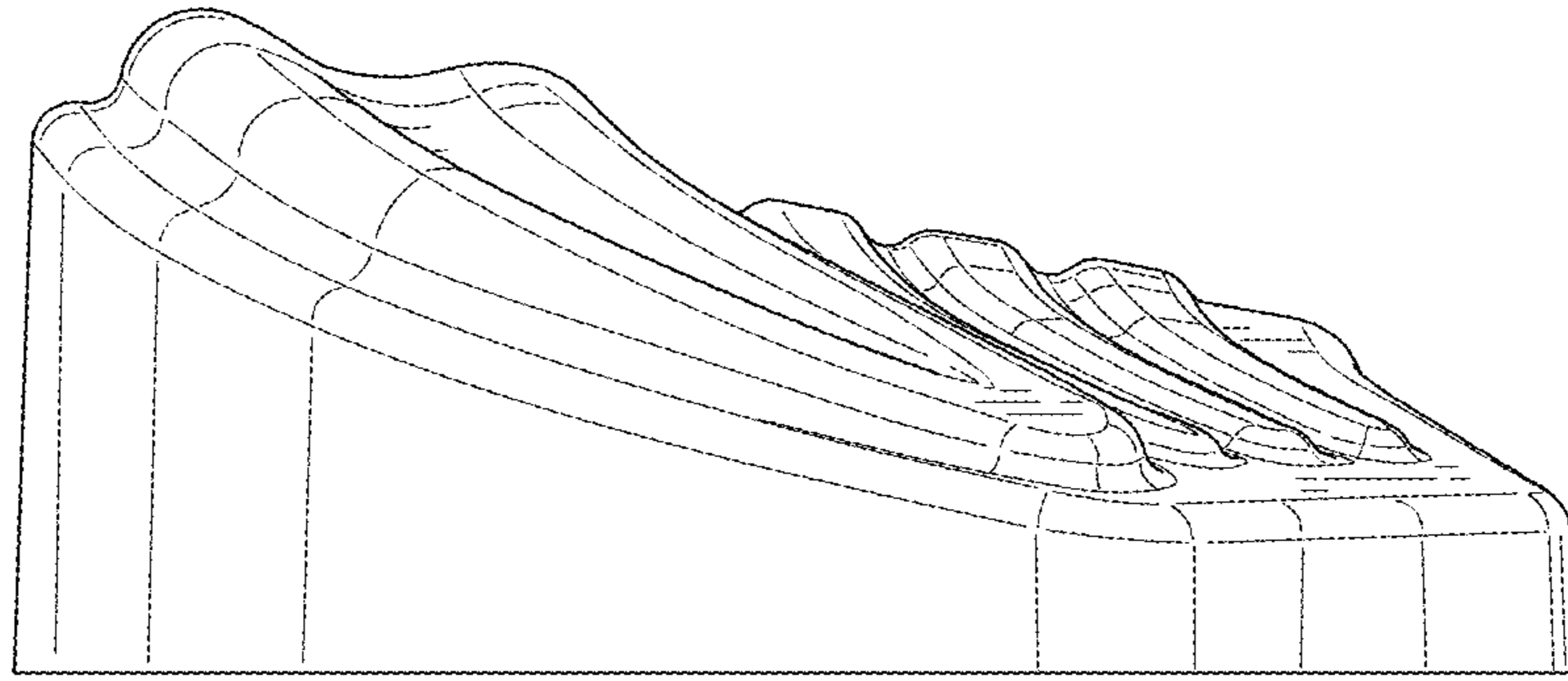


FIG. 3

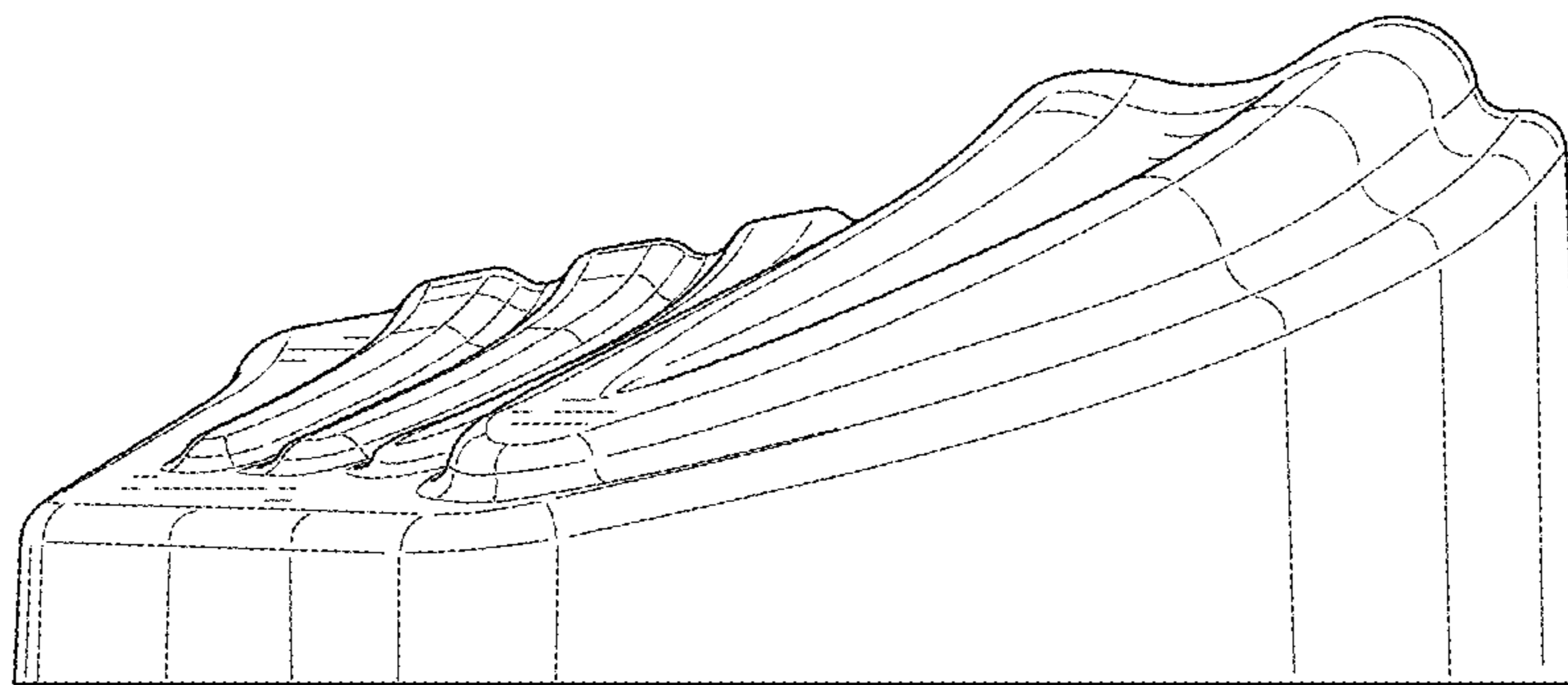


FIG. 4

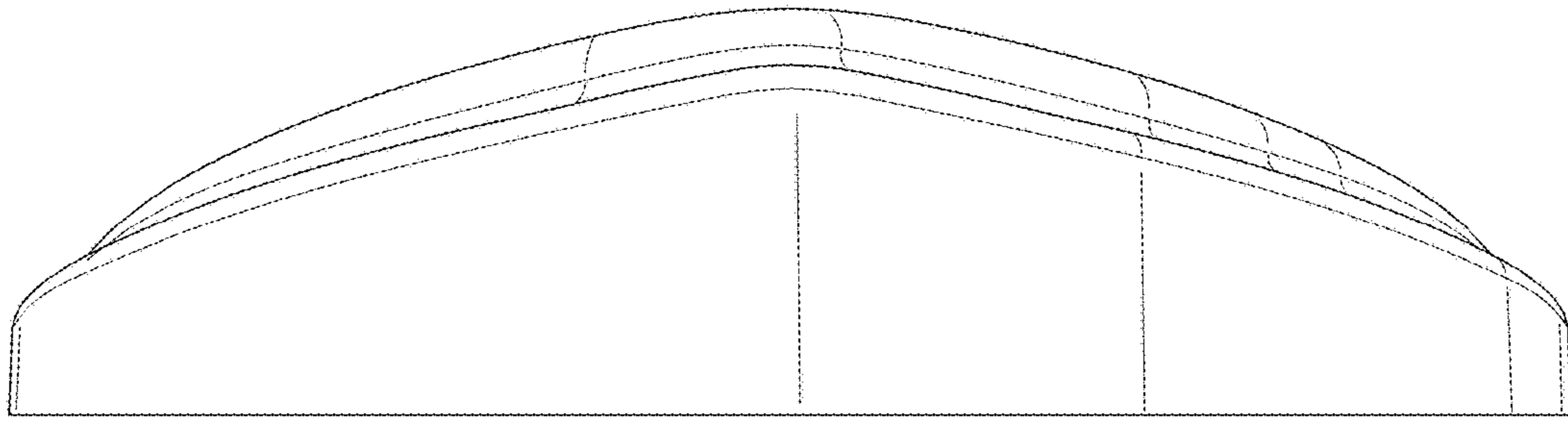


FIG. 5

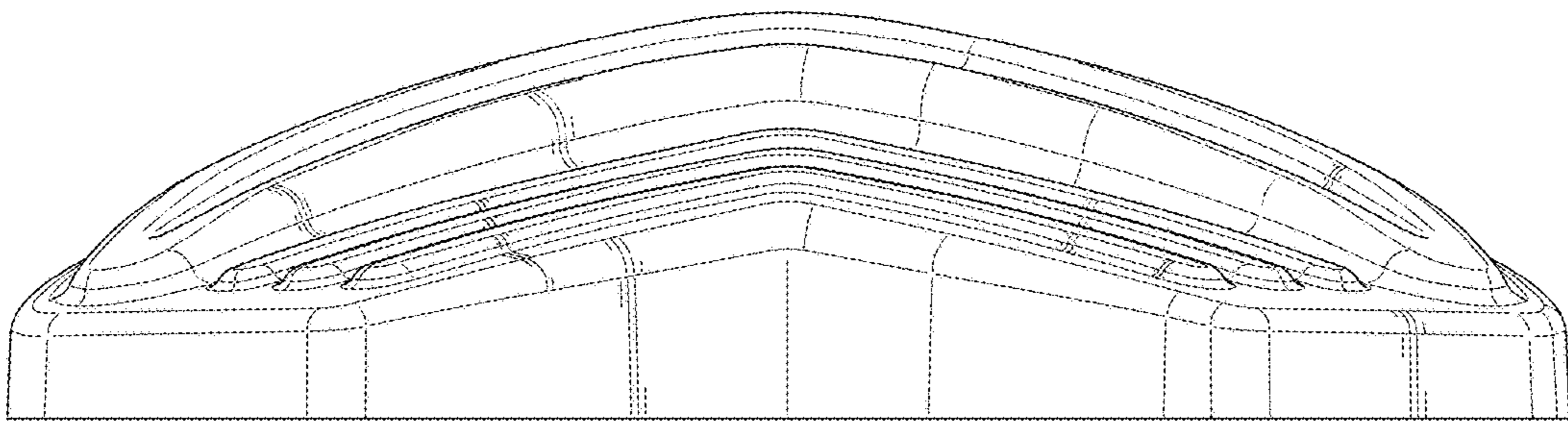


FIG. 6

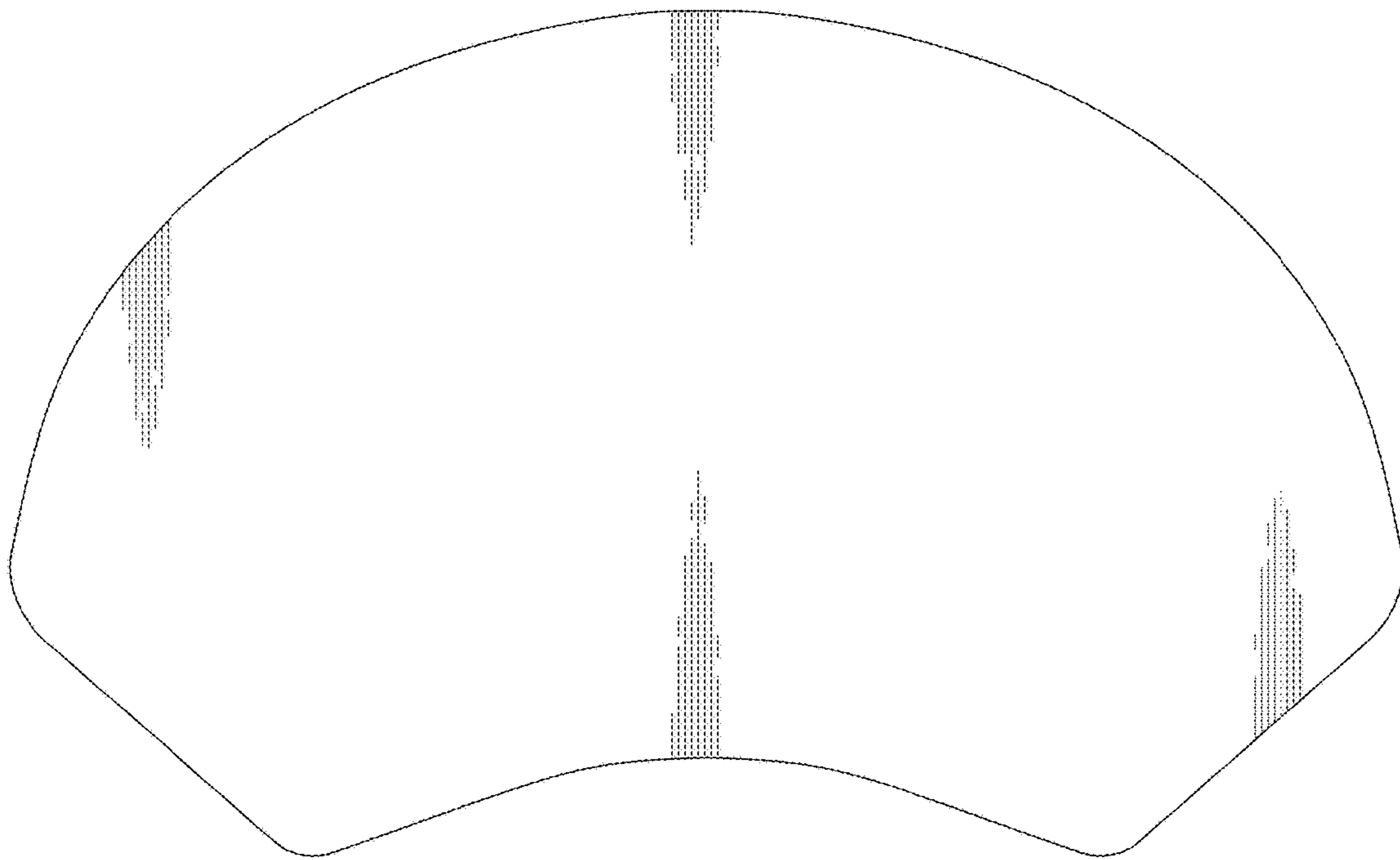


FIG. 7