

US00D869662S

(12) **United States Design Patent** (10) **Patent No.:** **US D869,662 S**
Sargent et al. (45) **Date of Patent:** **** Dec. 10, 2019**

(54) **ELECTRODE**
(71) Applicant: **X Development LLC**, Mountain View, CA (US)
(72) Inventors: **Joseph Hollis Sargent**, San Francisco, CA (US); **Sarah Ann Laszlo**, Mountain View, CA (US); **Brian John Adolf**, San Mateo, CA (US)
(73) Assignee: **X Development LLC**, Mountain View, CA (US)

D327,325 S 6/1992 Strand
D357,069 S * 4/1995 Plahn D24/187
5,402,780 A 4/1995 Faasse, Jr.
D364,899 S 12/1995 Molenaar
D369,667 S 5/1996 Vincents et al.
D378,614 S 3/1997 Jensen
D385,037 S 10/1997 Jensen
D397,376 S 8/1998 Hwang
D422,711 S * 4/2000 Park D24/200
D429,337 S 8/2000 Sanfilippo
D432,240 S * 10/2000 Katz D24/165
D456,907 S 5/2002 Sanfilippo

(Continued)

(**) Term: **15 Years**

OTHER PUBLICATIONS

(21) Appl. No.: **29/619,320**

Bauhaus Spinning Top. Online, published date unknown. Retrieved on Nov. 14, 2018 from URL: <https://maammo.com.products/bauhaus-spinning-top>, 1 page.

(22) Filed: **Sep. 28, 2017**

(51) **LOC (12) Cl.** **24-02**

(52) **U.S. Cl.**
USPC **D24/187**

Primary Examiner — Susan Bennett Hattan
Assistant Examiner — Omeed Agilee
(74) *Attorney, Agent, or Firm* — Fish & Richardson P.C.

(58) **Field of Classification Search**
USPC D24/107, 168, 186, 187, 189, 200
CPC A61B 5/0002; A61B 5/042; A61B 5/0404;
A61B 5/0416; A61B 5/0422; A61B 5/0424;
A61B 5/0492; A61B 5/04004; A61B 5/0402;
A61B 5/04012; A61B 5/04082; A61B 5/04085;
A61B 5/04087; A61B 5/4821; A61B 5/0484; A61N 1/046;
A61N 1/0472; A61N 1/0476; A61N 1/0492

(57) **CLAIM**

The ornamental design for an electrode, substantially as shown and described.

See application file for complete search history.

DESCRIPTION

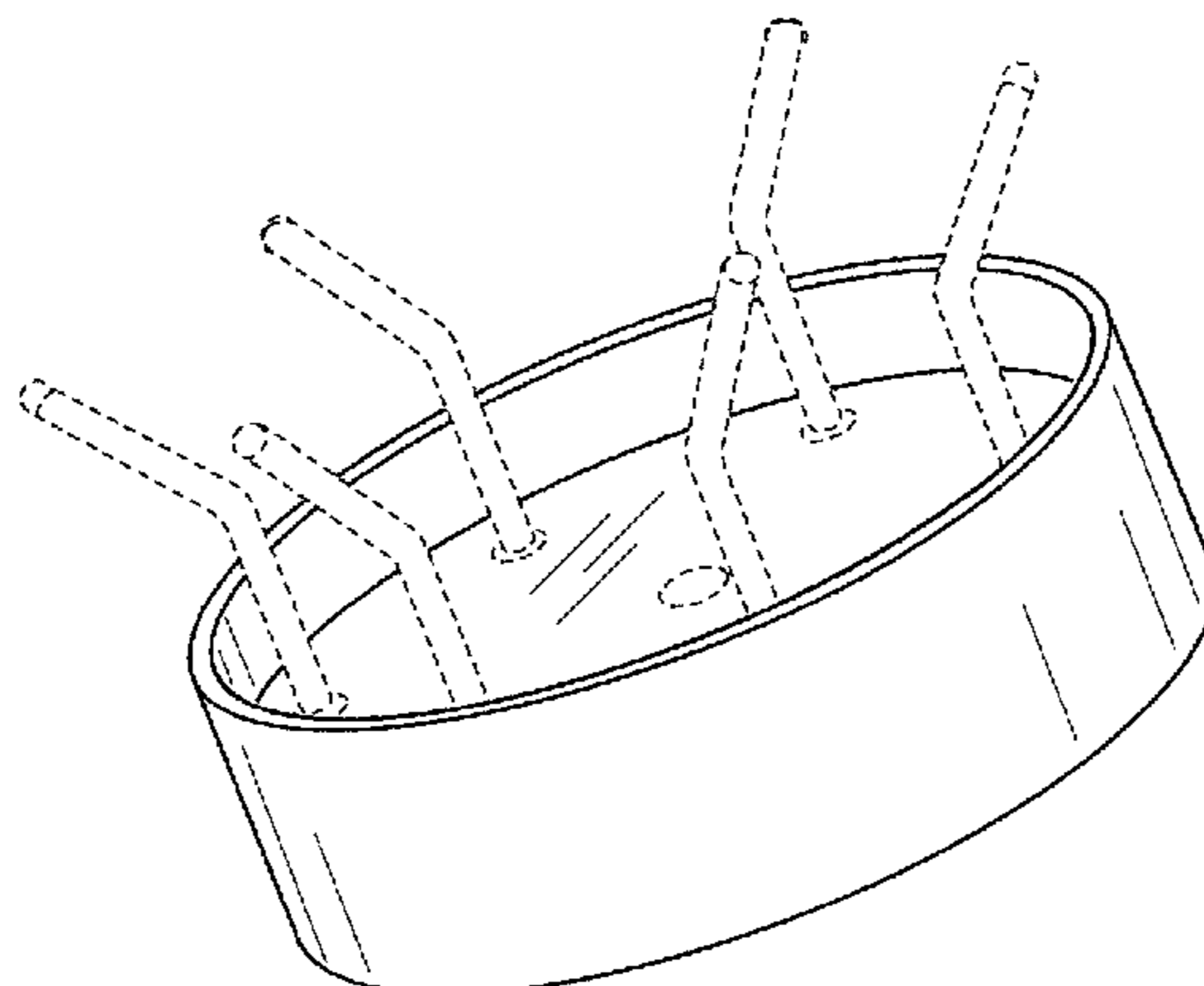
(56) **References Cited**

U.S. PATENT DOCUMENTS

1,872,203 A 8/1932 Wily
3,253,595 A * 5/1966 Murphy, Jr. A61N 1/0587
607/129
D292,229 S * 10/1987 Knudson D24/223
D295,784 S * 5/1988 Inoue D24/168
D317,502 S * 6/1991 Doty D24/187
D318,330 S * 7/1991 Doty D24/187

FIG. 1 is a perspective rear view of an electrode.
FIG. 2 is an exploded view of the electrode of FIG. 1.
FIG. 3 is a rear view of the electrode of FIG. 1.
FIG. 4 is a front view of the electrode of FIG. 1.
FIG. 5 is a left side view of the electrode of FIG. 1.
FIG. 6 is a right side view of the electrode of FIG. 1.
FIG. 7 is a bottom view of the electrode of FIG. 1; and,
FIG. 8 is a top view of the electrode of FIG. 1.
The evenly spaced broken lines in each figure illustrate features of the electrode that form no part of the claimed design. The dash-dot-dot-dash broken lines depict boundaries of the claimed design and form no part thereof.

1 Claim, 4 Drawing Sheets



(56)

References Cited

U.S. PATENT DOCUMENTS

D462,402	S	9/2002	Makhotkin	
D468,433	S	1/2003	Wagner	
D471,281	S	3/2003	Baura	
D475,138	S	5/2003	Baura	
6,574,513	B1	6/2003	Collura et al.	
D478,173	S	8/2003	Nielsen	
D478,668	S	8/2003	Epstein	
6,640,122	B2	10/2003	Manoli et al.	
D495,055	S	8/2004	Silber	
D508,997	S *	8/2005	Hairfield, Sr.	D24/168
D510,440	S *	10/2005	Huang	D24/200
6,998,031	B1	2/2006	Hill	
D536,673	S	2/2007	Silber	
7,215,989	B1	5/2007	Burks	
D567,374	S	4/2008	Reznik	
D625,823	S	10/2010	Schneider et al.	
D685,035	S	6/2013	Kanbar	
8,858,472	B2 *	10/2014	Gomez	A61H 9/0057 601/6
9,186,084	B2	11/2015	Chai et al.	
9,314,184	B2	4/2016	Chai et al.	
9,314,185	B2	4/2016	Chai et al.	
D758,595	S	6/2016	Zhao	
D768,096	S	10/2016	Fleischer	
D783,818	S	4/2017	Hermann et al.	
D790,088	S *	6/2017	Yeffet	D26/22
D791,956	S	7/2017	Stewart	
D795,443	S *	8/2017	Ho	D24/200
D797,297	S *	9/2017	Martin	D24/187
D821,587	S *	6/2018	Vosch	D24/187
D821,588	S *	6/2018	Vosch	D24/187
D826,412	S *	8/2018	Martin	D24/187
2011/0046503	A1	2/2011	Pradeep et al.	
2015/0282760	A1	10/2015	Badower	
2015/0343318	A1	12/2015	Liang	

* cited by examiner

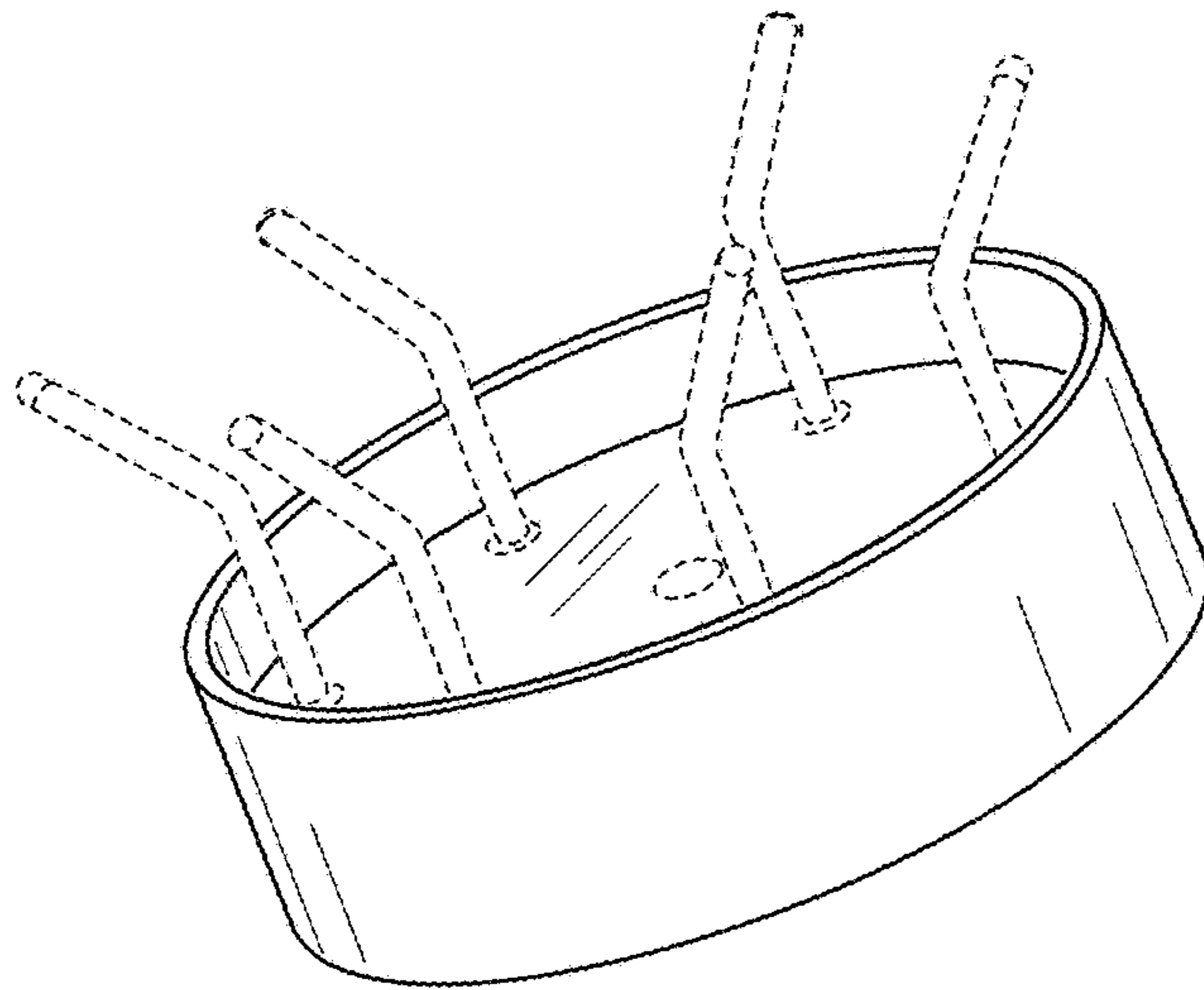


FIG. 1

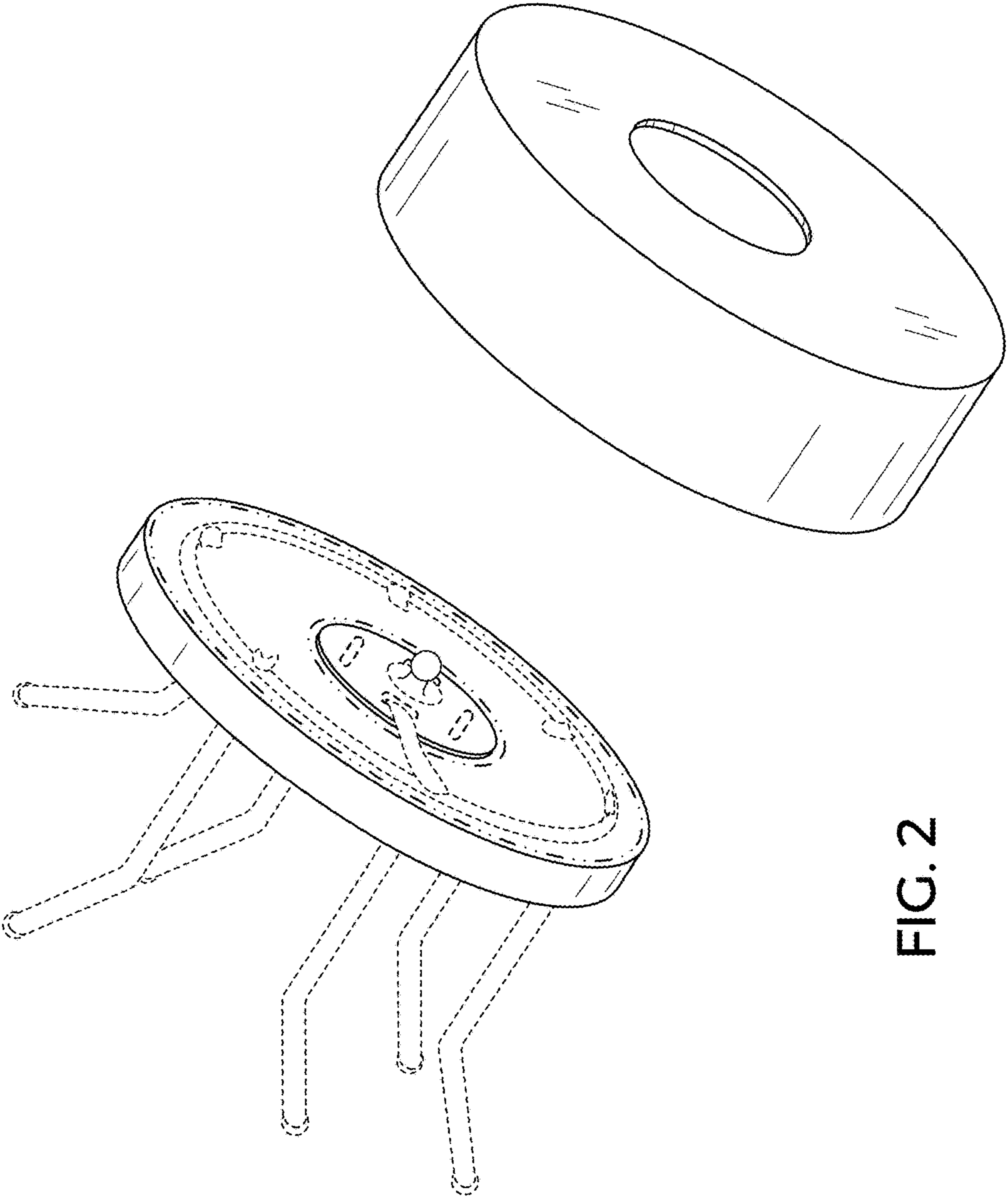


FIG. 2

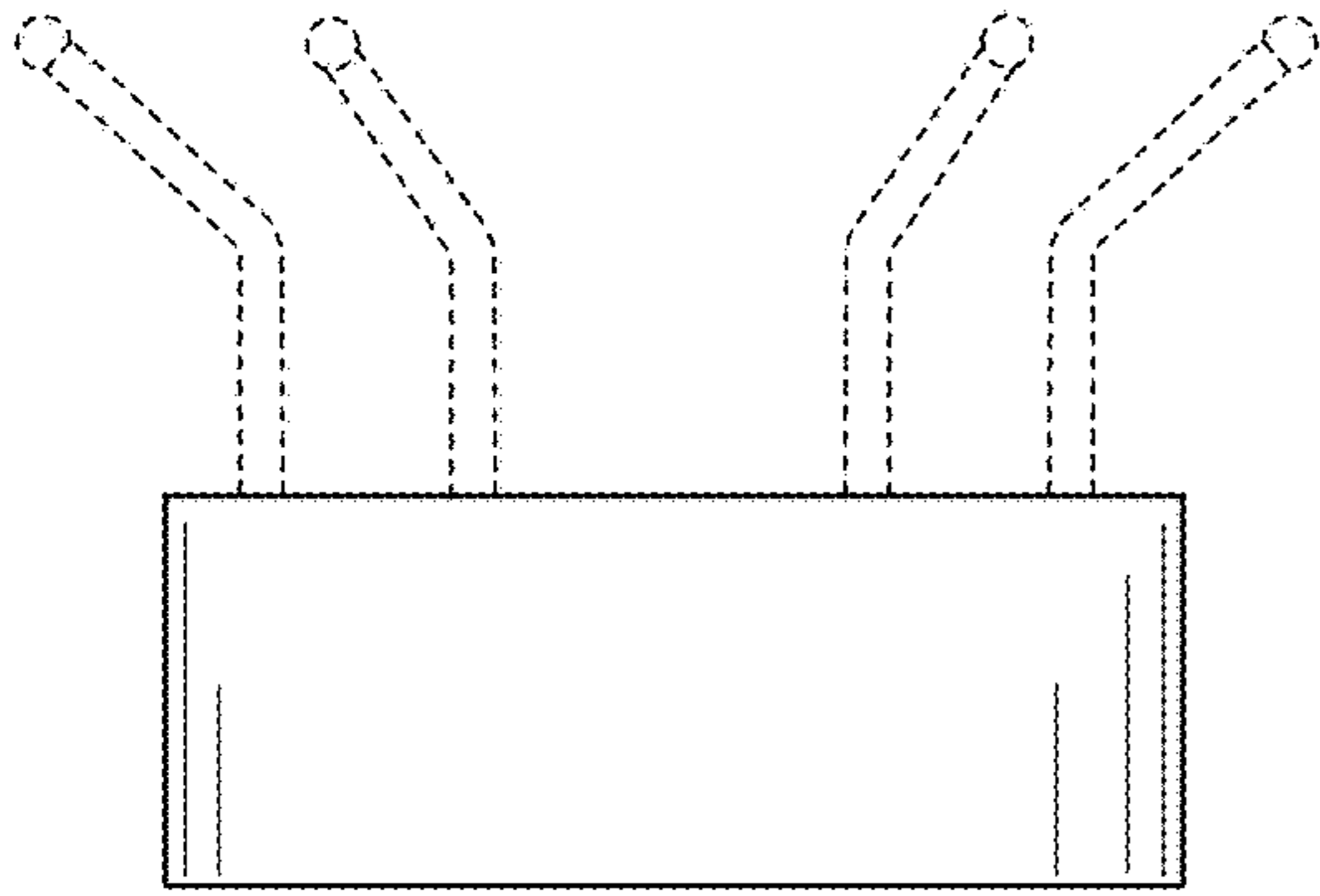


FIG. 3

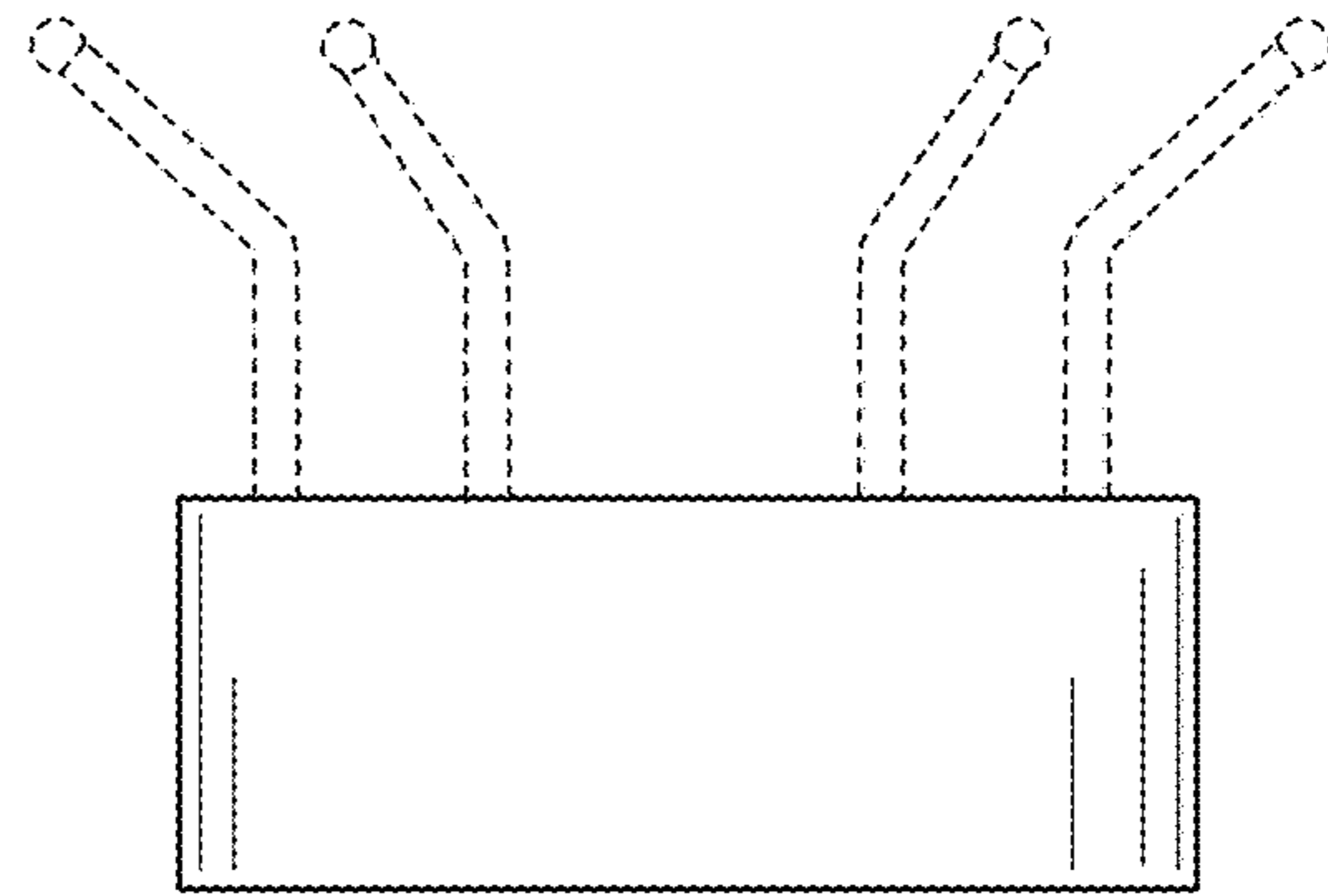


FIG. 4

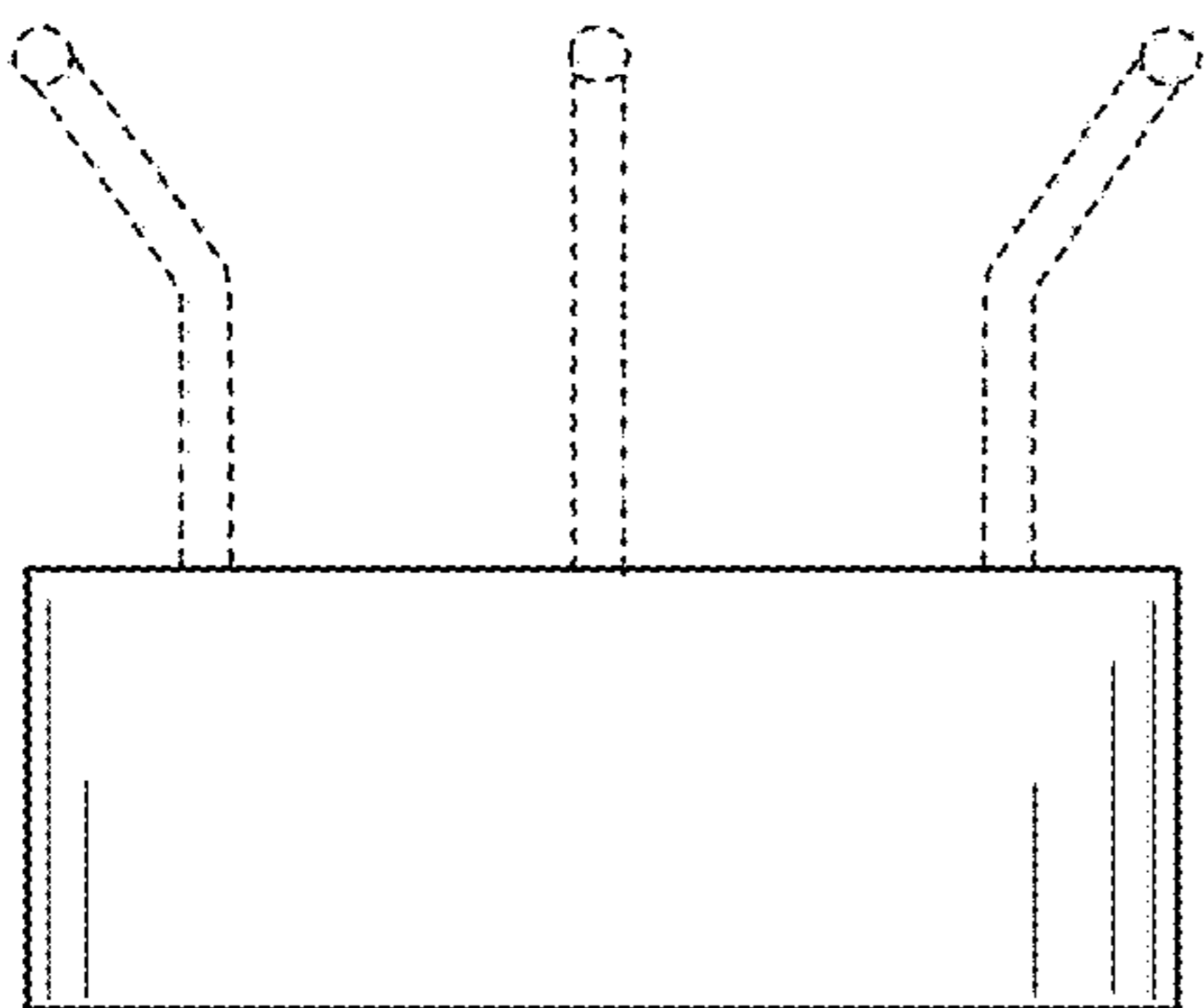


FIG. 5

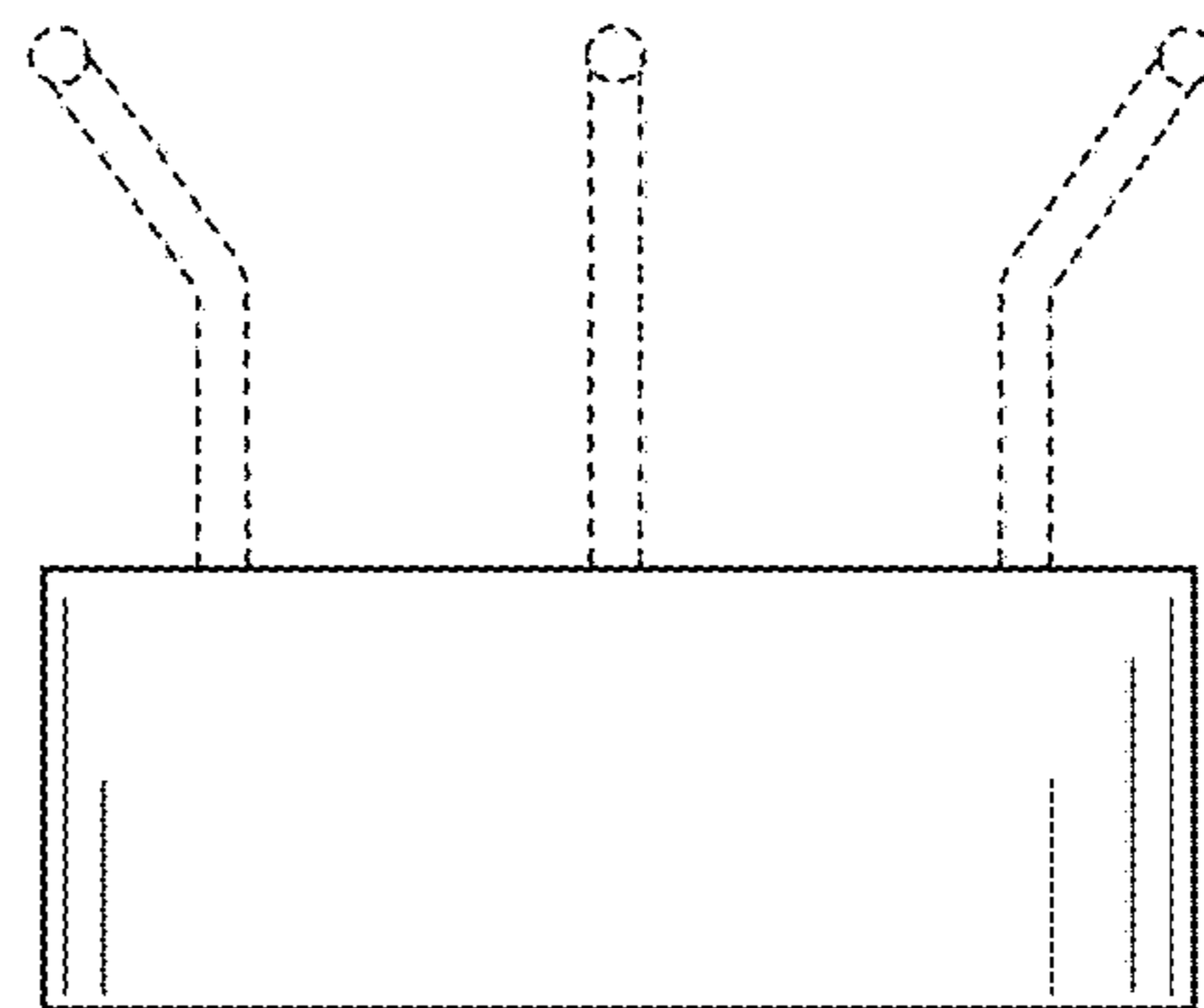


FIG. 6

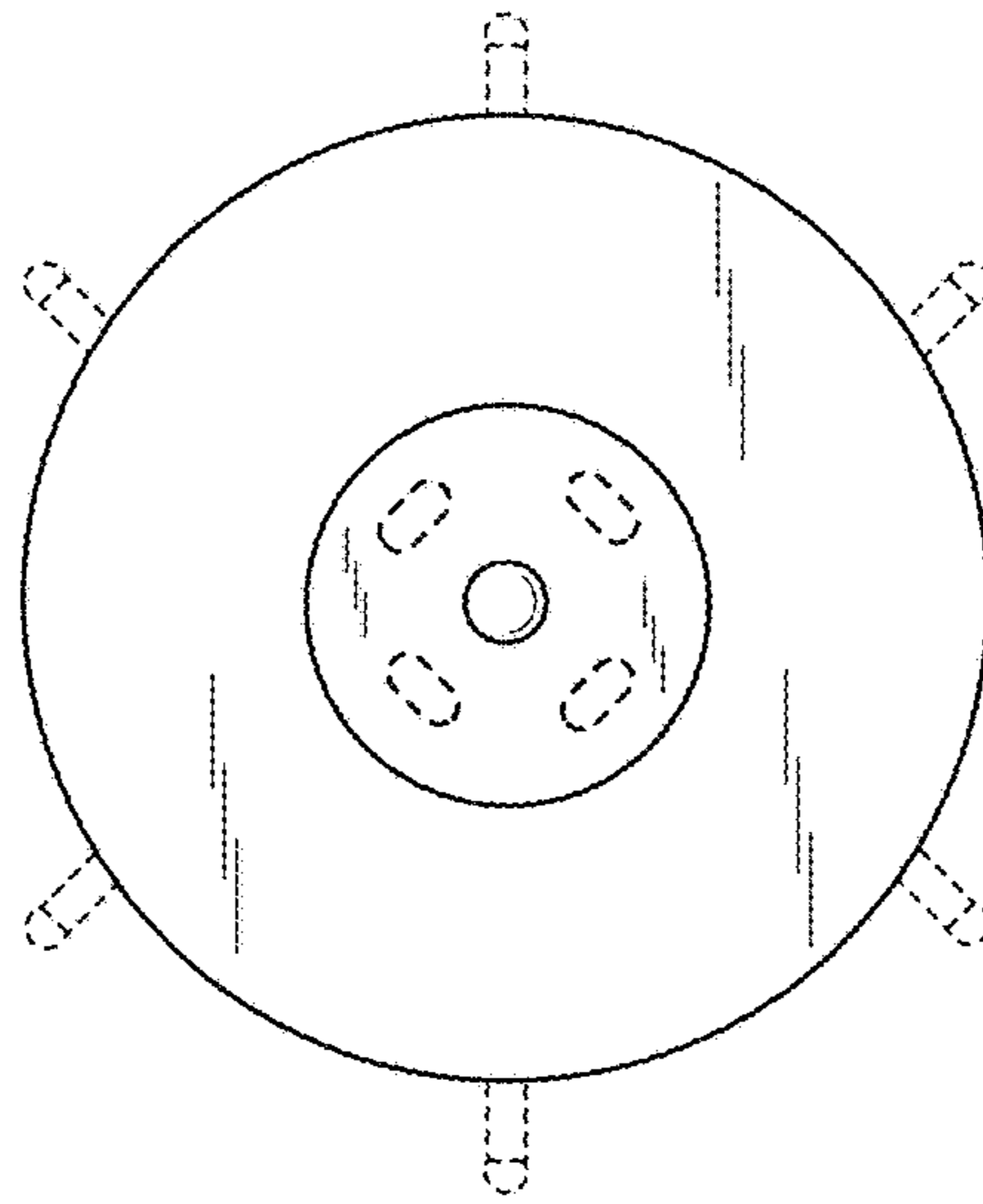


FIG. 7

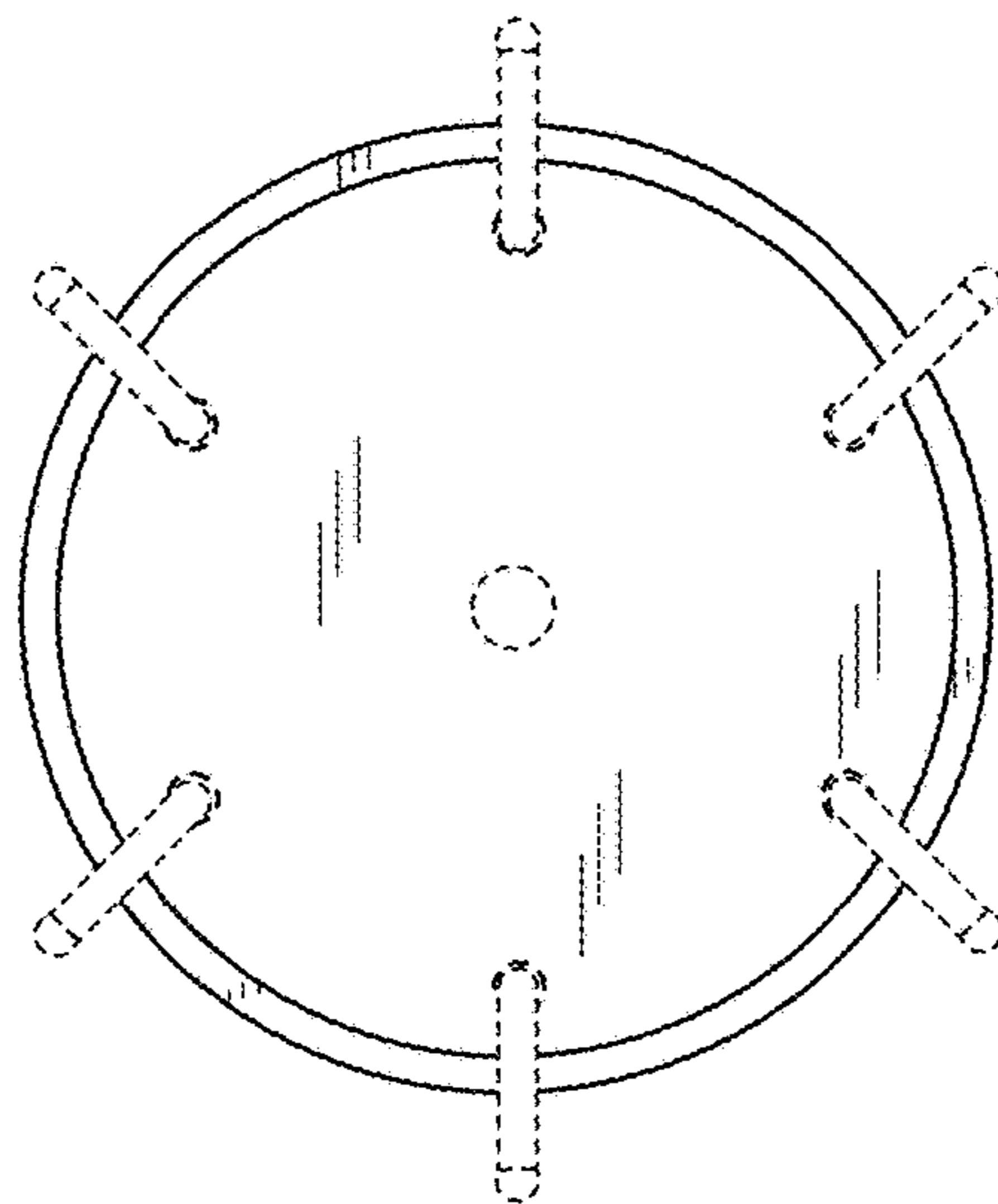


FIG. 8