



US00D869659S

(12) **United States Design Patent** (10) **Patent No.:** **US D869,659 S**  
**Lambarth et al.** (45) **Date of Patent:** **\*\* Dec. 10, 2019**

- (54) **EMERGENCY COT SIDE RAIL**
- (71) Applicant: **Stryker Corporation**, Kalamazoo, MI (US)
- (72) Inventors: **Clifford Edwin Lambarth**, Portage, MI (US); **Jason James Wroblewski**, Kalamazoo, MI (US)
- (73) Assignee: **Stryker Corporation**, Kalamazoo, MI (US)
- (\*\*) Term: **15 Years**
- (21) Appl. No.: **29/546,441**
- (22) Filed: **Nov. 23, 2015**

- D336,577 S 6/1993 Celestina et al.
- 5,479,666 A 1/1996 Foster et al.
- 5,682,631 A 11/1997 Weismiller et al.
- 5,732,423 A 3/1998 Weismiller et al.
- 6,021,533 A 2/2000 Ellis et al.
- 6,125,485 A 10/2000 Way et al.
- 6,240,580 B1 6/2001 Hamilton et al.
- 6,363,552 B1 4/2002 Hornbach et al.
- D479,070 S 9/2003 Goodwin et al.
- D488,941 S 4/2004 Lemire et al.
- D488,942 S 4/2004 Lemire et al.
- 6,721,975 B1 4/2004 Lemire
- 6,779,209 B2 8/2004 Ganance
- D553,382 S 10/2007 Hayes et al.
- D616,678 S 6/2010 Heimbrock et al.
- D616,679 S 6/2010 Heimbrock et al.
- D617,586 S 6/2010 Heimbrock et al.
- D617,587 S 6/2010 Heimbrock et al.
- D617,588 S 6/2010 Heimbrock et al.

(Continued)

**Related U.S. Application Data**

- (63) Continuation of application No. 29/449,968, filed on Mar. 15, 2013, now abandoned.

- (51) **LOC (12) Cl.** ..... **24-02**
- (52) **U.S. Cl.**  
USPC ..... **D24/184**

- (58) **Field of Classification Search**  
USPC ..... D24/183, 184, 190, 191, 192;  
D29/101.3, 120.1, 121.1, 121.2, 122;  
D6/382, 383, 384, 390, 406.1-406.6, 596,  
D6/601, 604, 610, 611, 710, 712, 716.2,  
D6/716.4, 716.6, 718, 718.3  
CPC ..... A61G 1/003-013; A61G 1/04-052; A61G  
7/1036; A61G 7/1053-1057  
See application file for complete search history.

(56) **References Cited**

**U.S. PATENT DOCUMENTS**

- 4,215,446 A 8/1980 Mahoney
- 4,811,435 A 3/1989 Foster et al.
- 5,117,521 A 6/1992 Foster et al.

*Primary Examiner* — Vy N Koenig

(74) *Attorney, Agent, or Firm* — Warner Norcross + Judd LLP

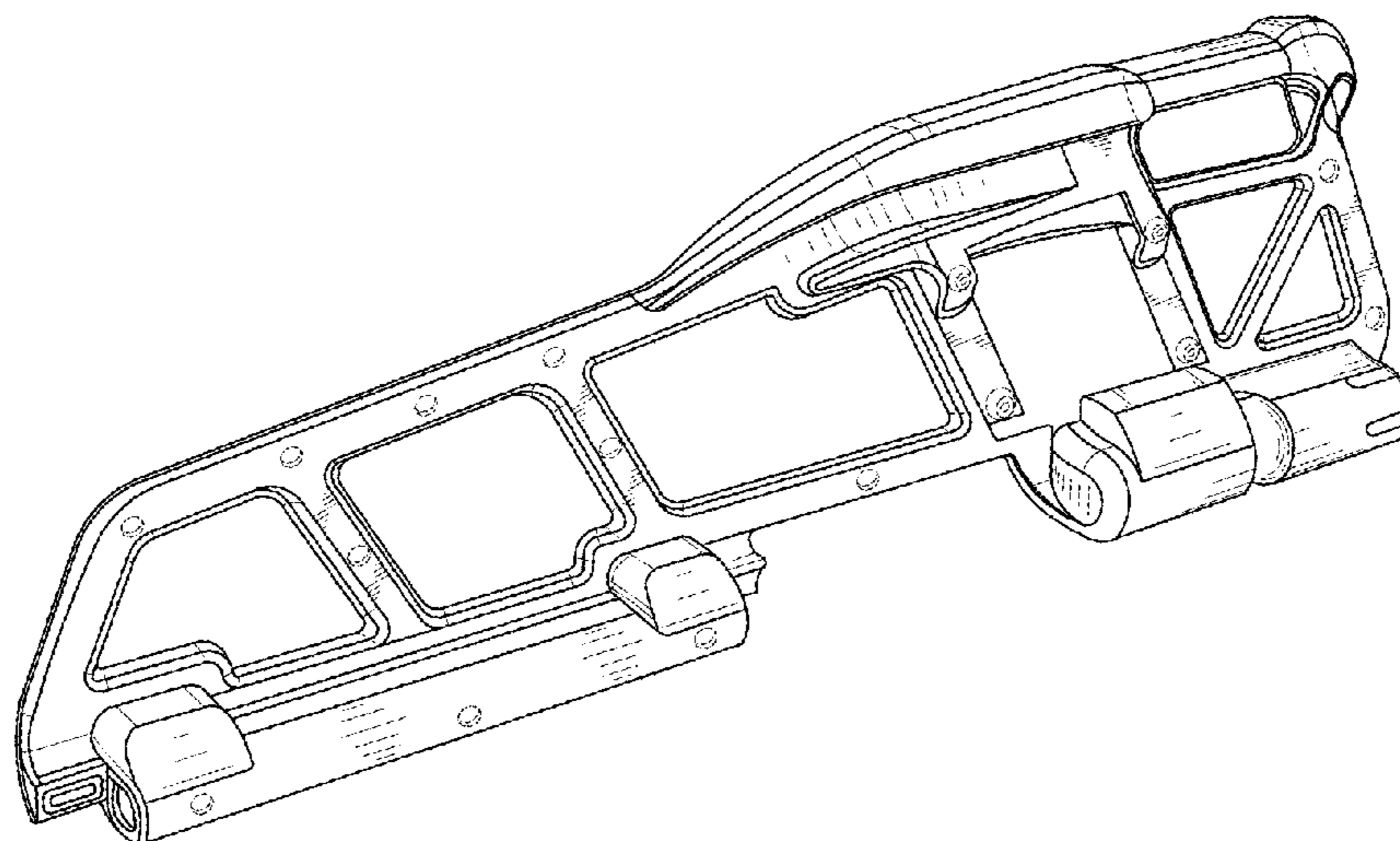
(57) **CLAIM**

The ornamental design for an emergency cot side rail, as shown and described.

**DESCRIPTION**

FIG. 1 is a back (inner side) elevation view of a left side emergency cot side rail showing our new design;  
 FIG. 2 is a front (outer side) elevation view thereof;  
 FIG. 3 is a perspective view of the back (inner side) thereof;  
 FIG. 4 is a bottom plan view thereof;  
 FIG. 5 is a top plan view thereof;  
 FIG. 6 is an end elevation view thereof; and,  
 FIG. 7 is a second end view thereof.  
 The broken lines are included for the purpose of illustrating portions of the emergency cot side rail that form no part of the claimed design.

**1 Claim, 7 Drawing Sheets**



(56)

**References Cited**

U.S. PATENT DOCUMENTS

D617,589	S	6/2010	Heimbrock et al.	
7,784,125	B2	8/2010	Morin et al.	
D628,416	S	12/2010	Heimbrock et al.	
D637,020	S	5/2011	Heimbrock et al.	
D640,887	S	7/2011	Heimbrock et al.	
8,051,511	B2	11/2011	Nahavandi et al.	
D656,762	S	4/2012	Fejt	
8,205,280	B2	6/2012	Hensley et al.	
8,387,179	B2	3/2013	Metz et al.	
D707,480	S *	6/2014	Heimbrock .....	D6/392
D710,507	S	8/2014	Leng et al.	
D710,509	S	8/2014	Leng et al.	
D710,510	S	8/2014	Leng et al.	
9,107,783	B2	8/2015	Childs et al.	
D769,042	S *	10/2016	O'Neal .....	D6/718.3
D770,824	S *	11/2016	O'Neal .....	D6/392
D770,829	S *	11/2016	Newkirk .....	D6/718.3
9,486,373	B2	11/2016	Lambarth et al.	
9,510,981	B2	12/2016	Lambarth et al.	
D817,058	S *	5/2018	Newkirk .....	D6/718.3
D817,682	S *	5/2018	O'Neal .....	D6/718.3
D819,382	S *	6/2018	O'Neal .....	D6/718.3
2002/0002742	A1	1/2002	Osborne et al.	
2006/0087166	A1	4/2006	Trippensee et al.	
2007/0174965	A1	8/2007	Lemire et al.	
2009/0031498	A1	2/2009	Girard et al.	
2011/0074571	A1	3/2011	Collins, Jr. et al.	

\* cited by examiner

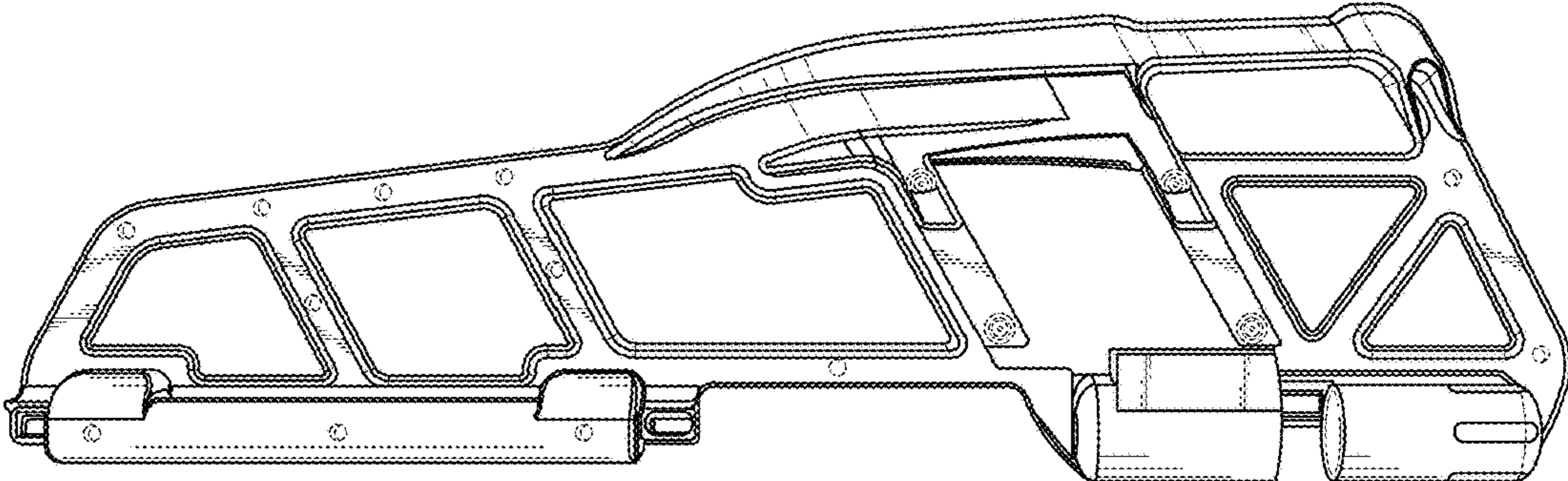


FIG. 1

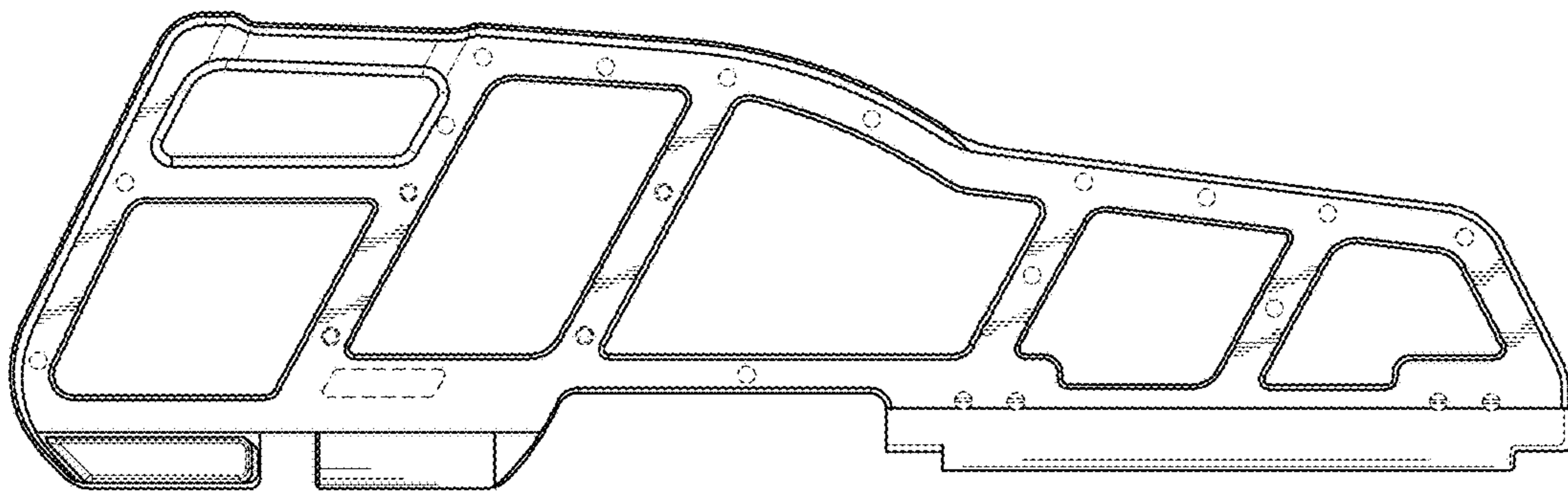


FIG. 2



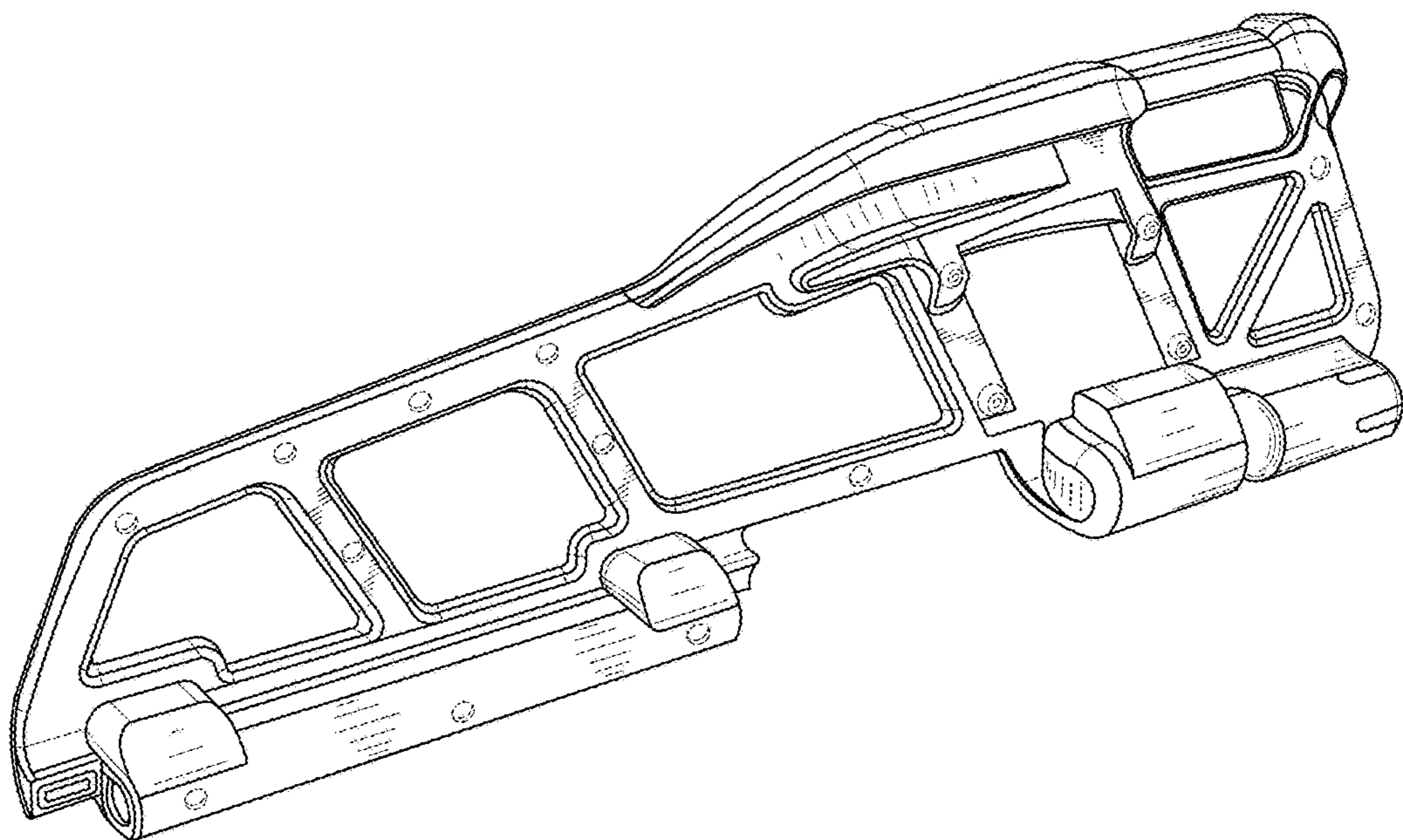


FIG. 3



FIG. 4

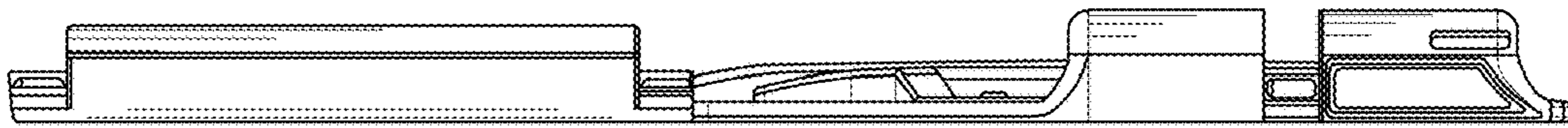


FIG. 5

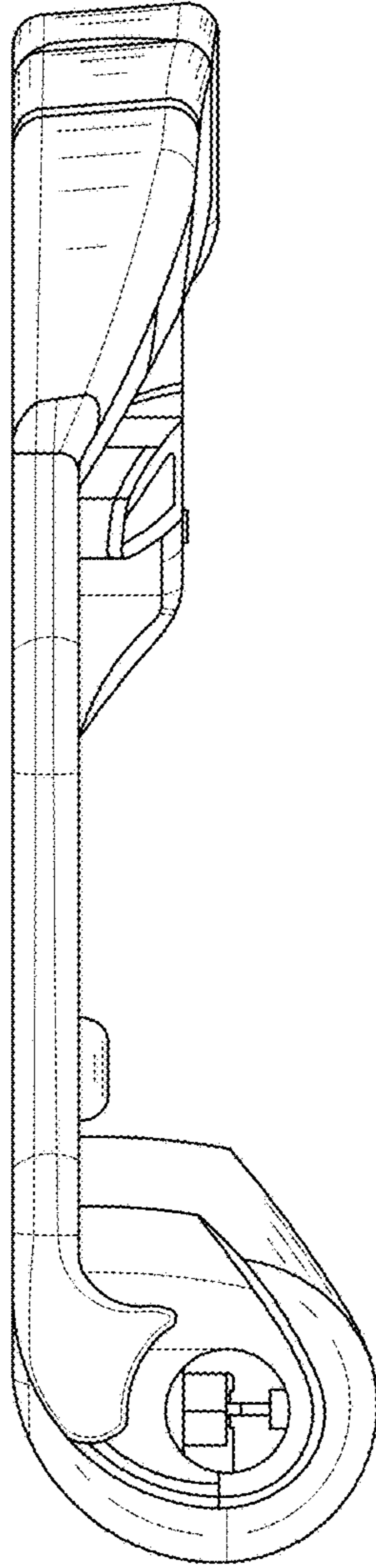


FIG. 6



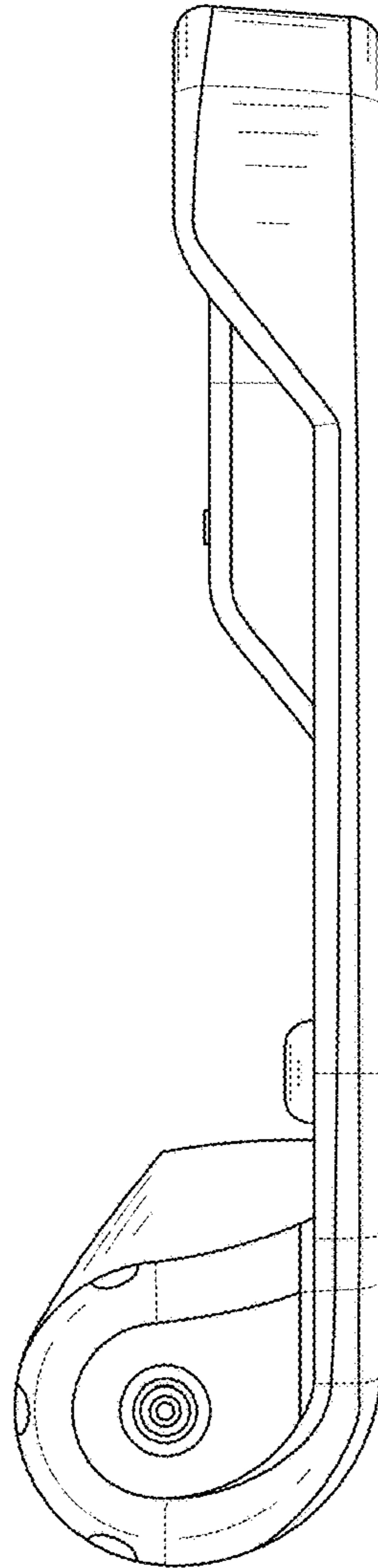


FIG. 7