



US00D869657S

(12) **United States Design Patent** (10) **Patent No.:** **US D869,657 S**  
**Hollis et al.** (45) **Date of Patent:** **\*\* Dec. 10, 2019**

(54) **BONE PLATE**  
(71) Applicant: **CROSSROADS EXTREMITY SYSTEMS, LLC**, Memphis, TN (US)  
(72) Inventors: **Michael Chad Hollis**, Collierville, TN (US); **Daniel Sayger**, Southaven, MS (US)  
(73) Assignee: **CROSSROADS EXTREMITY SYSTEMS, LLC**, Memphis, TN (US)  
(\*\*) Term: **15 Years**  
(21) Appl. No.: **29/612,209**  
(22) Filed: **Jul. 31, 2017**  
(51) **LOC (12) Cl.** ..... **24-03**  
(52) **U.S. Cl.**  
USPC ..... **D24/155**  
(58) **Field of Classification Search**  
USPC ..... D24/155  
CPC ..... A61B 17/8061; A61B 17/7059; A61B 17/8052; A61B 17/8605; A61B 17/8085; A61B 17/809; A61B 17/8014; A61B 17/8033; A61B 17/8004; A61B 17/888; A61B 17/842; A61B 17/8023; A61B 17/8009; A61B 17/86; A61B 17/1739; A61B 17/8066; A61B 17/1671; A61B 17/1757; A61B 17/8071; A61B 17/176; A61B 2017/1782; A61B 2017/1775  
See application file for complete search history.

D580,057 S \* 11/2008 Ramadani ..... D24/155  
D648,027 S \* 11/2011 Vancelette ..... D24/155  
8,257,405 B2 \* 9/2012 Haidukewych .... A61B 17/8061  
606/280  
8,398,687 B2 \* 3/2013 Vasta ..... A61B 17/8061  
606/284  
D699,351 S \* 2/2014 Podgorski ..... D24/155  
8,940,026 B2 \* 1/2015 Hilse ..... A61B 17/8014  
606/282  
D740,943 S \* 10/2015 Neufeld ..... A61B 17/80  
D24/155  
D745,162 S \* 12/2015 Neufeld ..... D24/155  
9,204,912 B2 \* 12/2015 Price ..... A61B 17/1728  
9,333,014 B2 \* 5/2016 Gonzalez-Hernandez .....  
A61B 17/8085  
9,387,020 B2 \* 7/2016 Geissler ..... A61B 17/8042  
D765,850 S \* 9/2016 Early ..... D24/155  
D765,852 S \* 9/2016 Early ..... D24/155

(Continued)

*Primary Examiner* — Charles D Hanson  
(74) *Attorney, Agent, or Firm* — Maywood IP Law; G. Jo Hays; David W. Meibos

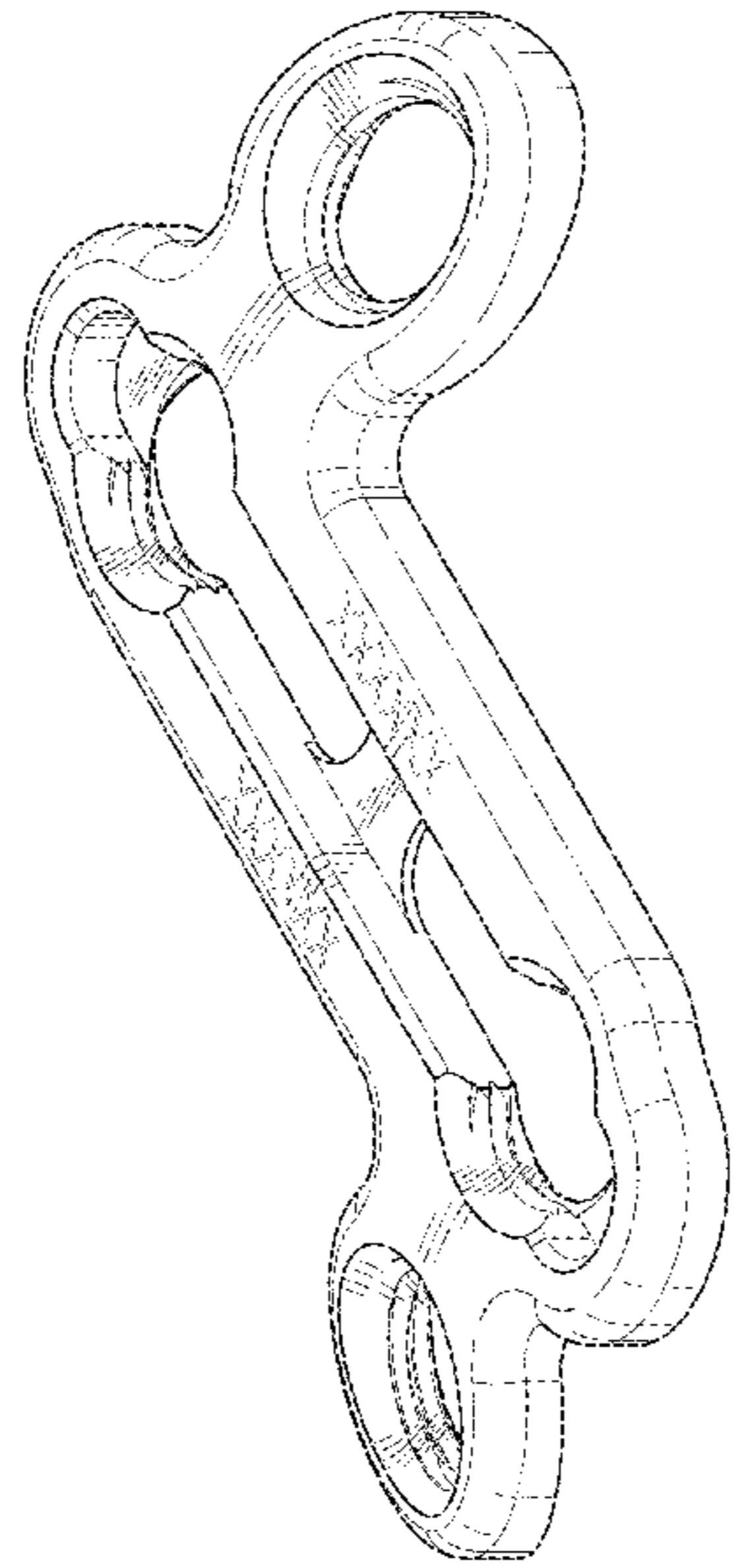
(57) **CLAIM**  
The ornamental design for a bone plate, as shown and described.

**DESCRIPTION**

FIG. 1 is a top perspective view of yet another bone plate; FIG. 2 is a bottom perspective view of the bone plate of FIG. 1; FIG. 3 is a front view of the bone plate of FIG. 1; FIG. 4 is a back view of the bone plate of FIG. 1; FIG. 5 is a left view of the bone plate of FIG. 1; FIG. 6 is a right view of the bone plate of FIG. 1; FIG. 7 is a top view of the bone plate of FIG. 1; and, FIG. 8 is a bottom view of the bone plate of FIG. 1. The broken line showing of text “XXXXXX” in FIGS. 1, 3, 4, and 7 is for the purpose of illustrating environmental structure and forms no part of the claimed design.

**1 Claim, 6 Drawing Sheets**

(56) **References Cited**  
U.S. PATENT DOCUMENTS  
5,938,664 A \* 8/1999 Winquist ..... A61B 17/8085  
606/283  
D469,533 S \* 1/2003 Bryant ..... D24/155  
D480,141 S \* 9/2003 Benirschke ..... D24/155  
D520,637 S \* 5/2006 Kay ..... D24/155



(56)

**References Cited**

U.S. PATENT DOCUMENTS

D766,438	S	*	9/2016	DaCosta	.....	D24/155
D766,439	S	*	9/2016	DaCosta	.....	D24/155
D767,135	S	*	9/2016	Paik	.....	D24/155
D767,136	S	*	9/2016	Paik	.....	D24/155
2004/0210220	A1	*	10/2004	Tornier	.....	A61B 17/8061 606/284
2004/0225291	A1	*	11/2004	Schwammberger	...	A61B 17/80 606/71
2005/0182408	A1	*	8/2005	Pfefferle	.....	A61B 17/8085 606/282
2008/0021452	A1	*	1/2008	Ducharme	.....	A61B 17/8061 606/60
2013/0116734	A1	*	5/2013	Gonzalez-Hernandez	.....	A61B 17/8061 606/286
2017/0007305	A1		1/2017	Hollis		

\* cited by examiner

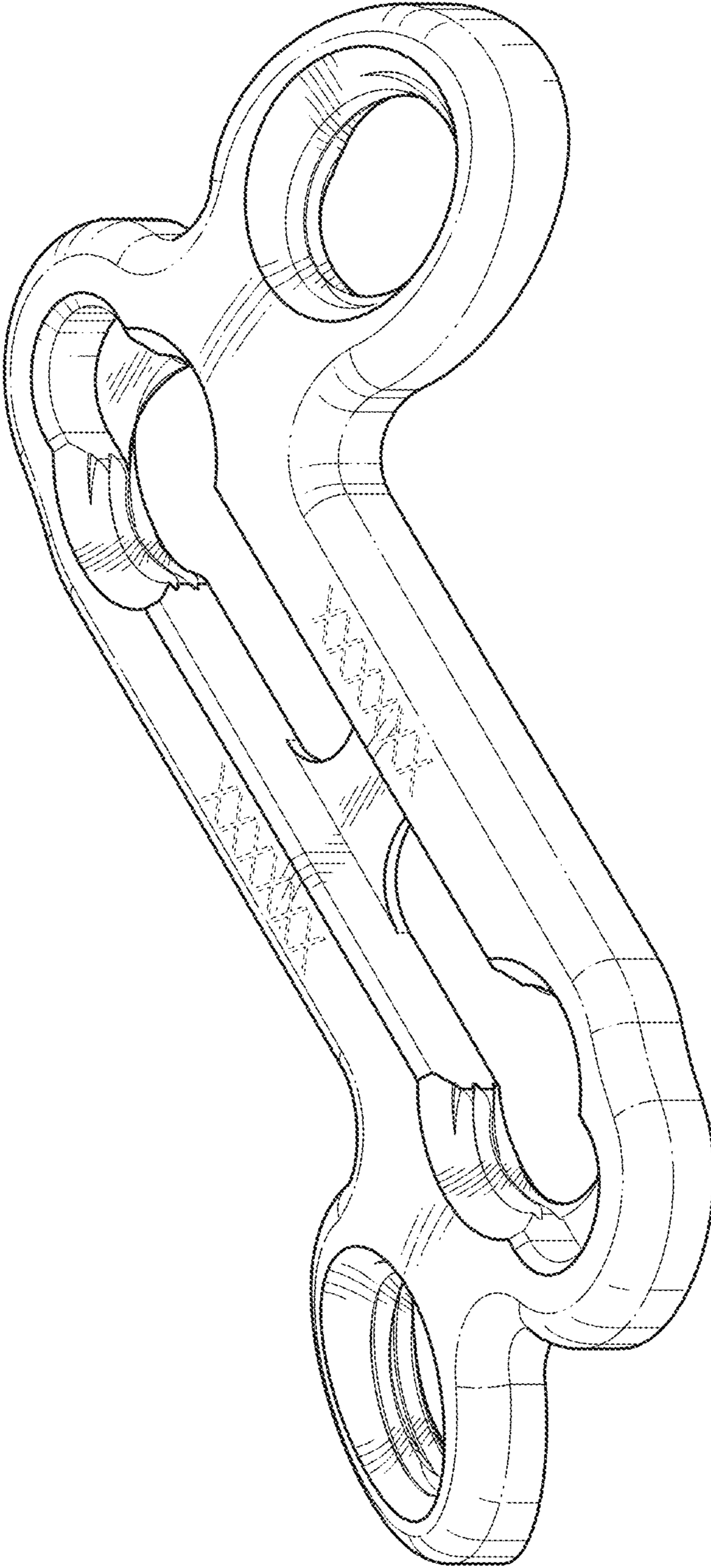


FIG. 1

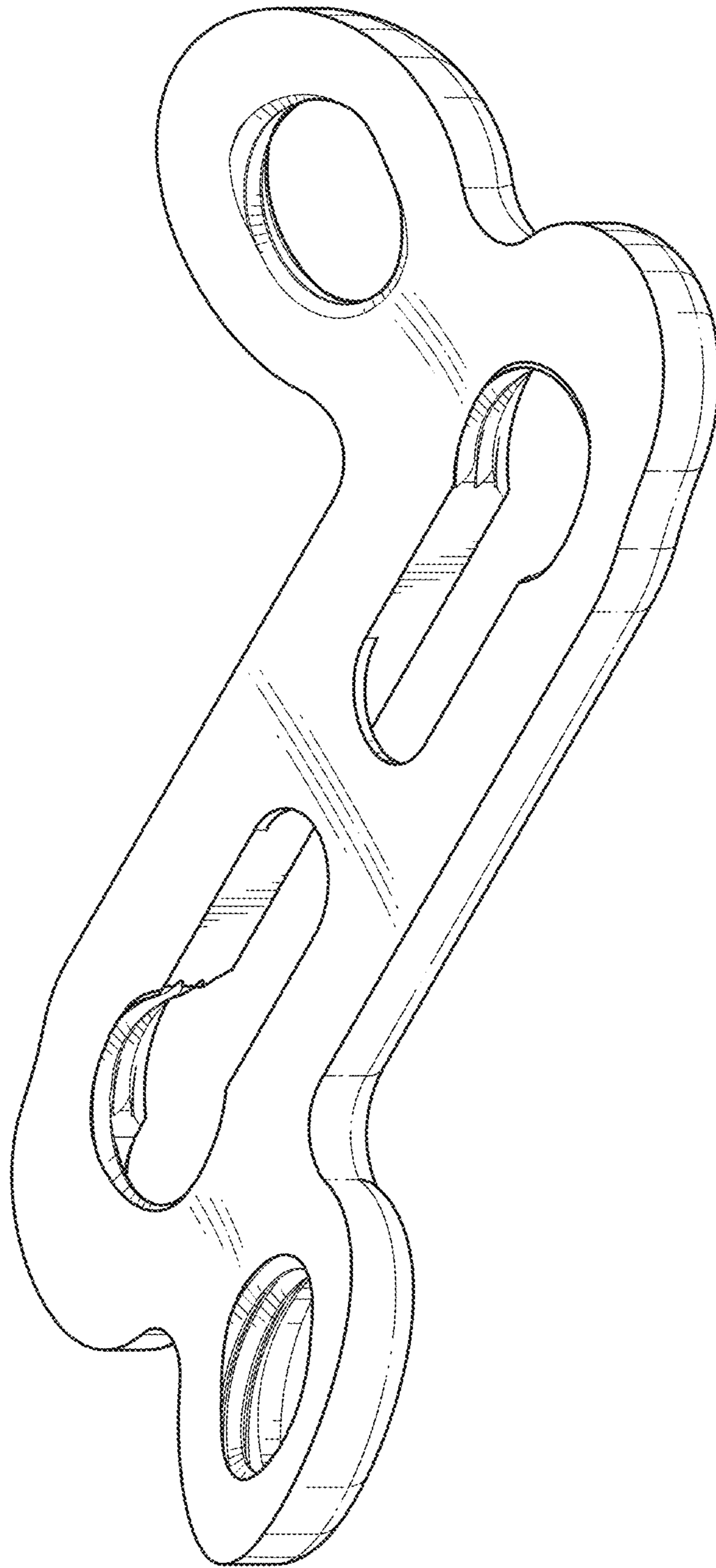


FIG. 2

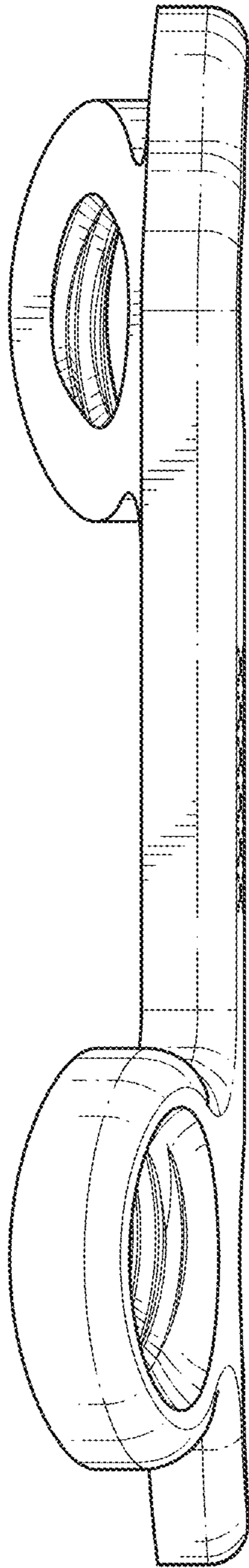


FIG. 3

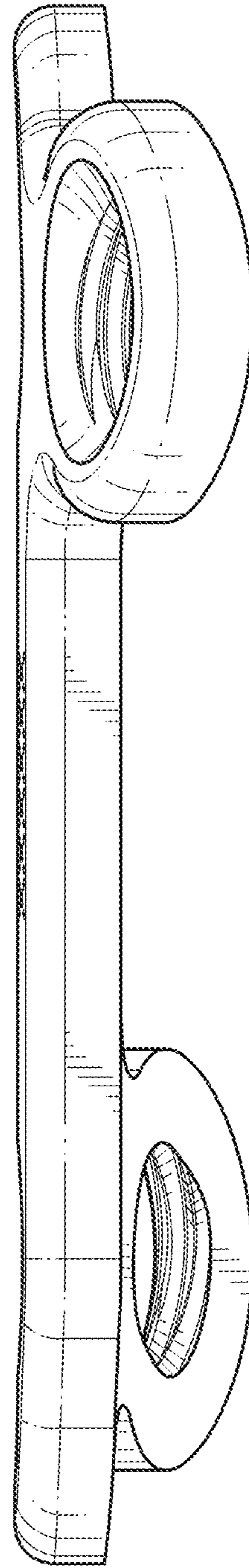


FIG. 4

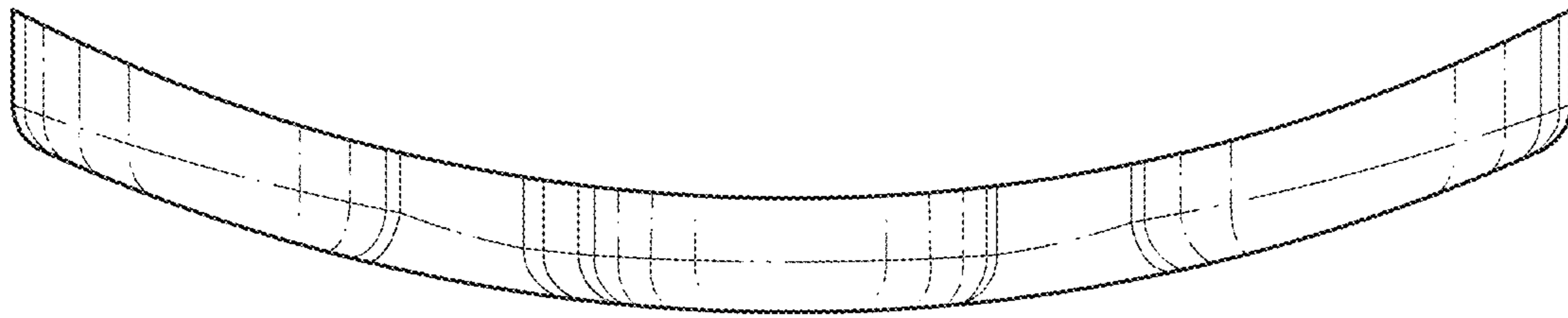


FIG. 5

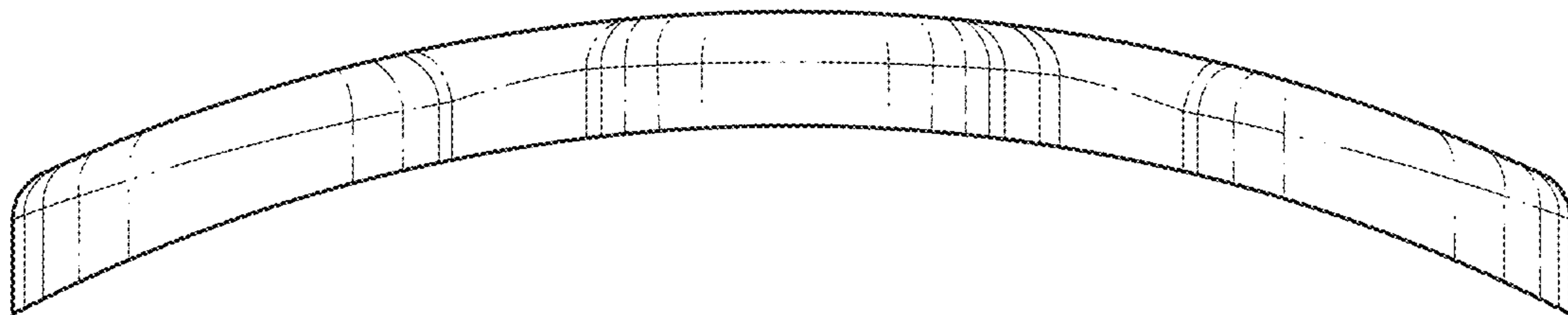


FIG. 6

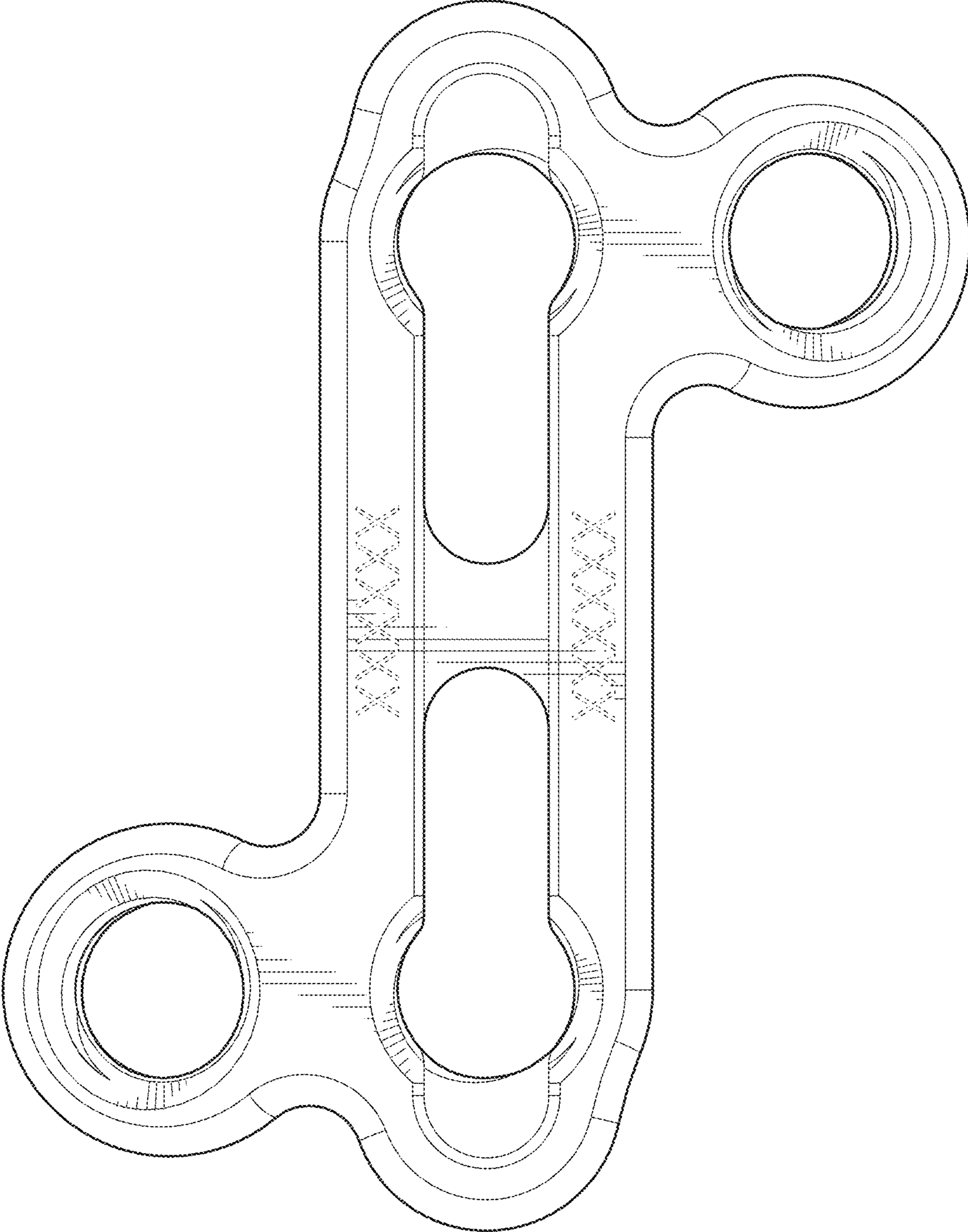


FIG. 7

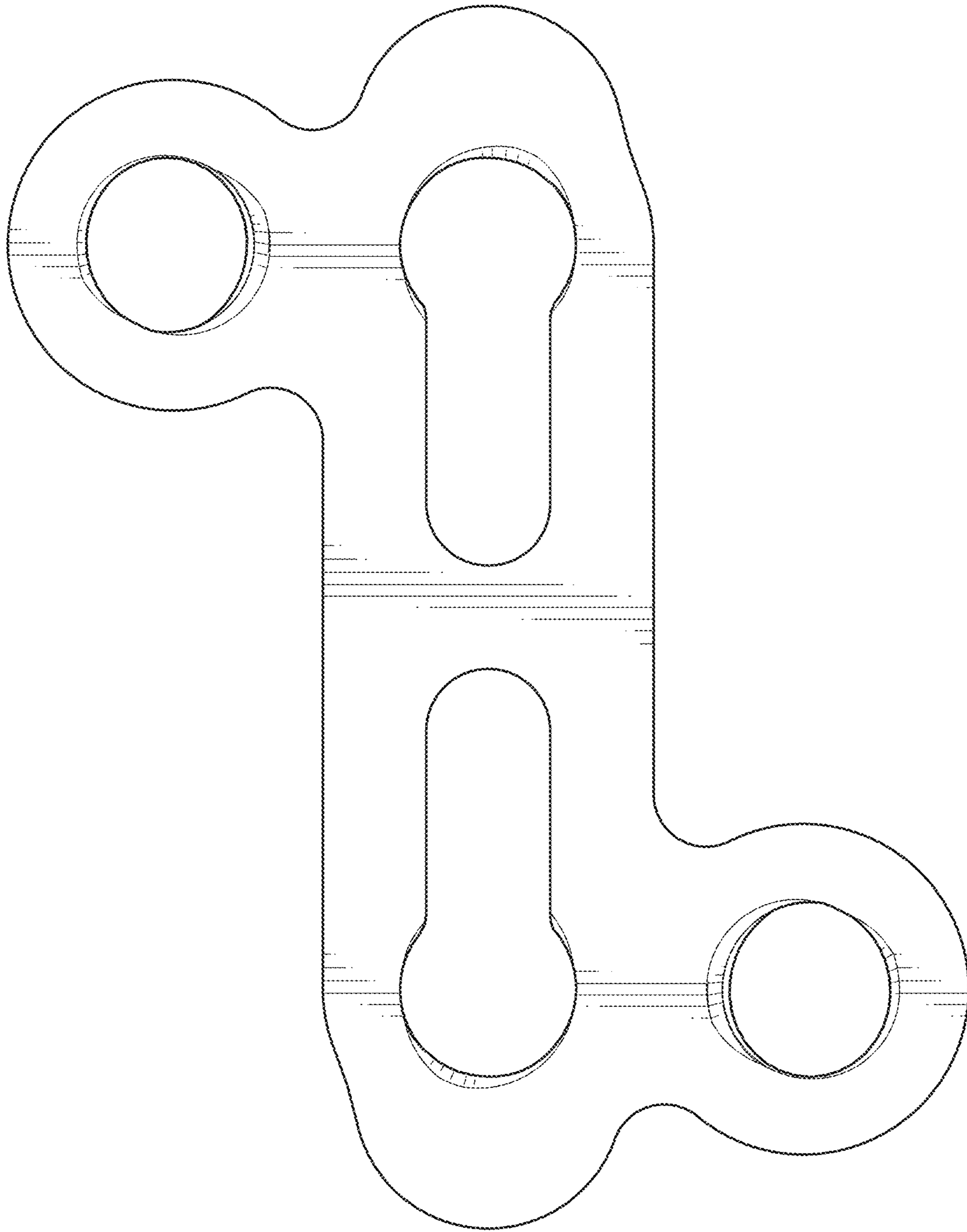


FIG. 8