



US00D869653S

(12) **United States Design Patent**  
**Klaassen**

(10) **Patent No.:** **US D869,653 S**

(45) **Date of Patent:** **\*\* Dec. 10, 2019**

(54) **SPECULUM**

(71) Applicant: **FEMISCOPE B.V.**, Sittard (NL)

(72) Inventor: **Bernhard Klaassen**, Huissen (NL)

(73) Assignee: **FEMISCOPE B.V.**, Huissen (NL)

(\*\*) Term: **15 Years**

(21) Appl. No.: **29/604,377**

(22) Filed: **May 17, 2017**

(30) **Foreign Application Priority Data**

Nov. 22, 2016 (EM) ..... 003476332-0001

(51) **LOC (12) Cl.** ..... **24-02**

(52) **U.S. Cl.**

USPC ..... **D24/135**

(58) **Field of Classification Search**

USPC ..... D24/133, 152, 150, 176, 128, 137, 140,  
D24/141, 162, 184, 135, 143, 146, 147,  
D24/138, 186; 433/141; 600/210, 201,  
600/214; D16/202, 134, 219, 130, 237,  
D16/132, 136, 200

CPC ..... A61B 1/32; A61H 19/00; A61H 19/30;  
A61H 19/32; A61H 19/34; A61H 19/40;  
A61H 19/44

See application file for complete search history.

(56) **References Cited**

**U.S. PATENT DOCUMENTS**

D138,690 S \* 9/1944 Downing ..... D16/130  
2,797,684 A \* 7/1957 Moore ..... A61B 1/00142  
600/200  
3,701,347 A \* 10/1972 Belkin ..... A61B 1/31  
600/184  
4,597,382 A \* 7/1986 Perez, Jr. .... A61B 1/32  
600/203  
D360,261 S \* 7/1995 Swanson ..... D24/135

6,174,282 B1 \* 1/2001 Tan ..... A61B 1/32  
600/224  
6,436,033 B2 \* 8/2002 Tan ..... A61B 1/32  
600/224  
6,450,952 B1 \* 9/2002 Rioux ..... A61B 1/32  
600/219  
D558,344 S \* 12/2007 Saddlemire ..... D24/135  
D564,657 S \* 3/2008 Tsai ..... D24/135

(Continued)

**OTHER PUBLICATIONS**

Femiscope Photo Facebook HOPEN OP EEN Wonder, Sep. 21, 2017, [online], [site visited May 29, 2018]. Retrieved from url:https://www.facebook.com/femiscope.moreinsight/photos/a.1879291482323654.1073741829.1811730619079741/1901398323446303/?type=3&theater (Year: 2017).\*

(Continued)

*Primary Examiner* — Jeffrey D Asch

*Assistant Examiner* — Tracey J Bell

(74) *Attorney, Agent, or Firm* — Abelman, Frayne & Schwab

(57)

**CLAIM**

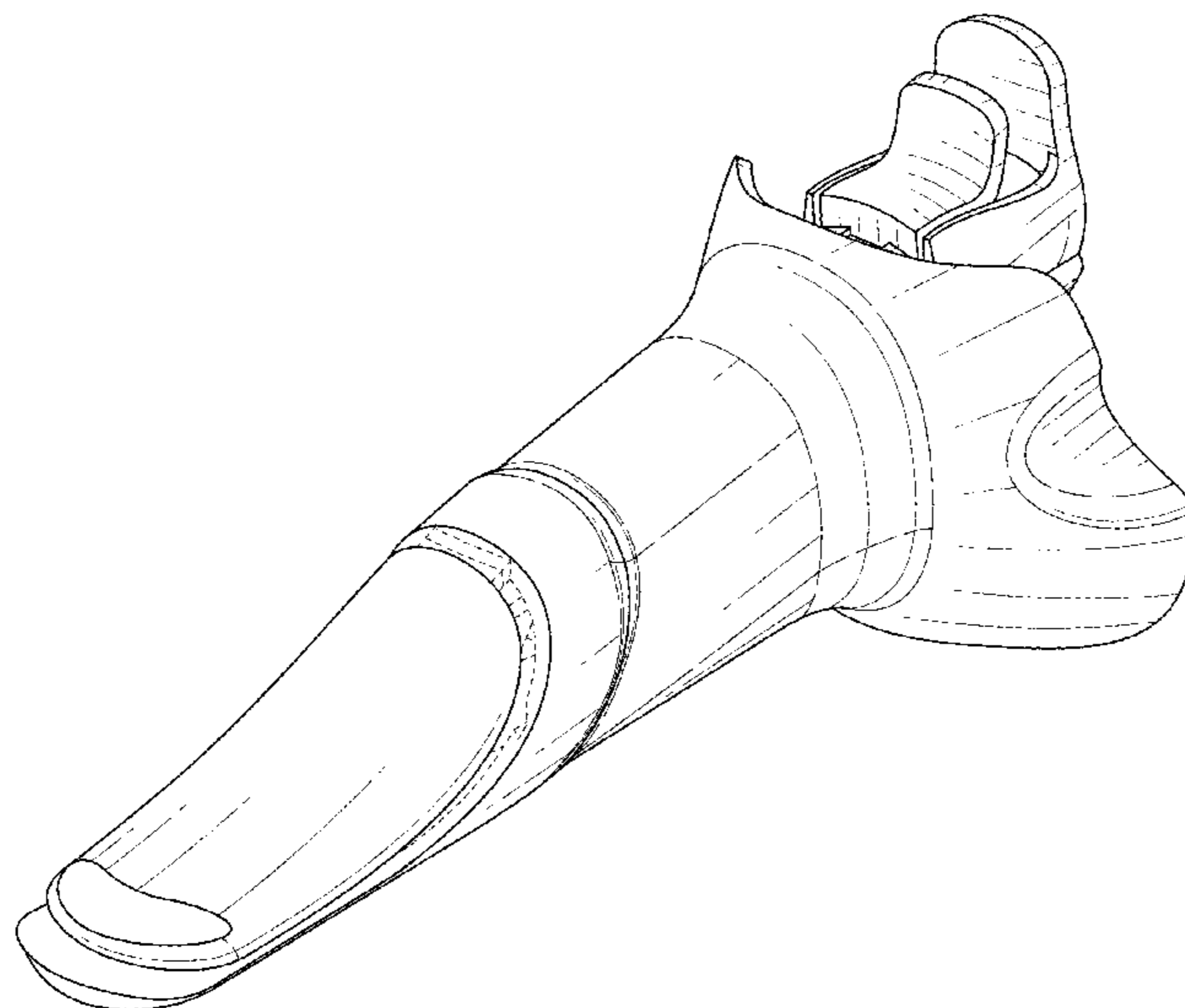
The ornamental design for a speculum, as shown and described.

**DESCRIPTION**

FIG. 1 is a front, top, and right perspective view of a speculum showing the new design;  
FIG. 2 is a right side elevation thereof, the left side elevation being a mirror image thereof;  
FIG. 3 is a top plan thereof;  
FIG. 4 is a bottom plan thereof;  
FIG. 5 is a rear, bottom, and left perspective view thereof;  
FIG. 6 is a front elevation thereof; and,  
FIG. 7 is a rear elevation thereof.

The broken lines are for the purpose of illustrating portions of the speculum that form no part of the claimed design.

**1 Claim, 4 Drawing Sheets**



(56)

**References Cited**

U.S. PATENT DOCUMENTS

D578,646 S \* 10/2008 Tsai ..... D24/135  
D644,735 S \* 9/2011 Elbe ..... D24/135  
D667,954 S \* 9/2012 Mastri ..... D24/146  
8,690,767 B2 \* 4/2014 Kecman ..... A61B 1/32  
600/222  
D710,500 S \* 8/2014 Roeloffs ..... D24/135  
D716,466 S \* 10/2014 Kanbar ..... A61H 19/40  
D24/215  
D719,652 S \* 12/2014 Swift ..... D24/135  
D752,217 S \* 3/2016 Swift ..... D24/135  
9,307,969 B2 \* 4/2016 Novak ..... A61B 17/02  
D780,539 S \* 3/2017 Anzalone ..... D7/695  
D785,171 S \* 4/2017 Roeloffs ..... D24/133  
2006/0287583 A1 \* 12/2006 Mangiardi ..... A61B 17/02  
600/208  
2017/0231482 A1 \* 8/2017 Eakin ..... A61B 1/32  
600/220  
2018/0125346 A1 \* 5/2018 Shelton ..... A61B 1/2275

OTHER PUBLICATIONS

Orchid Spec, as archived by the internet archive on May 17, 2013, [online], [site visited May 29, 2018]. Retrieved from url:<https://web.archive.org/web/20130517225933/http://www.bridea.com.hk/> (Year: 2013).\*

\* cited by examiner

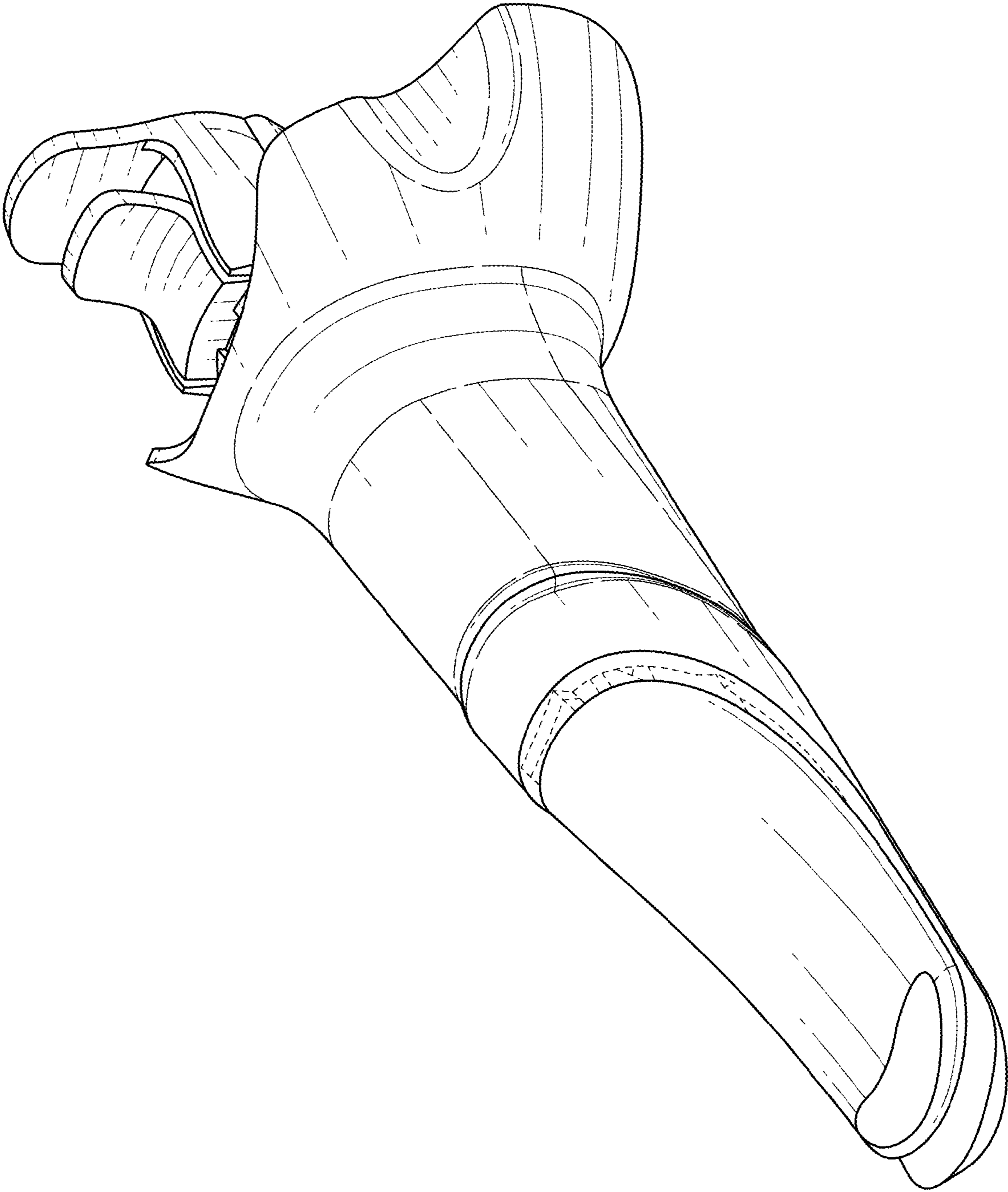


FIG. 1

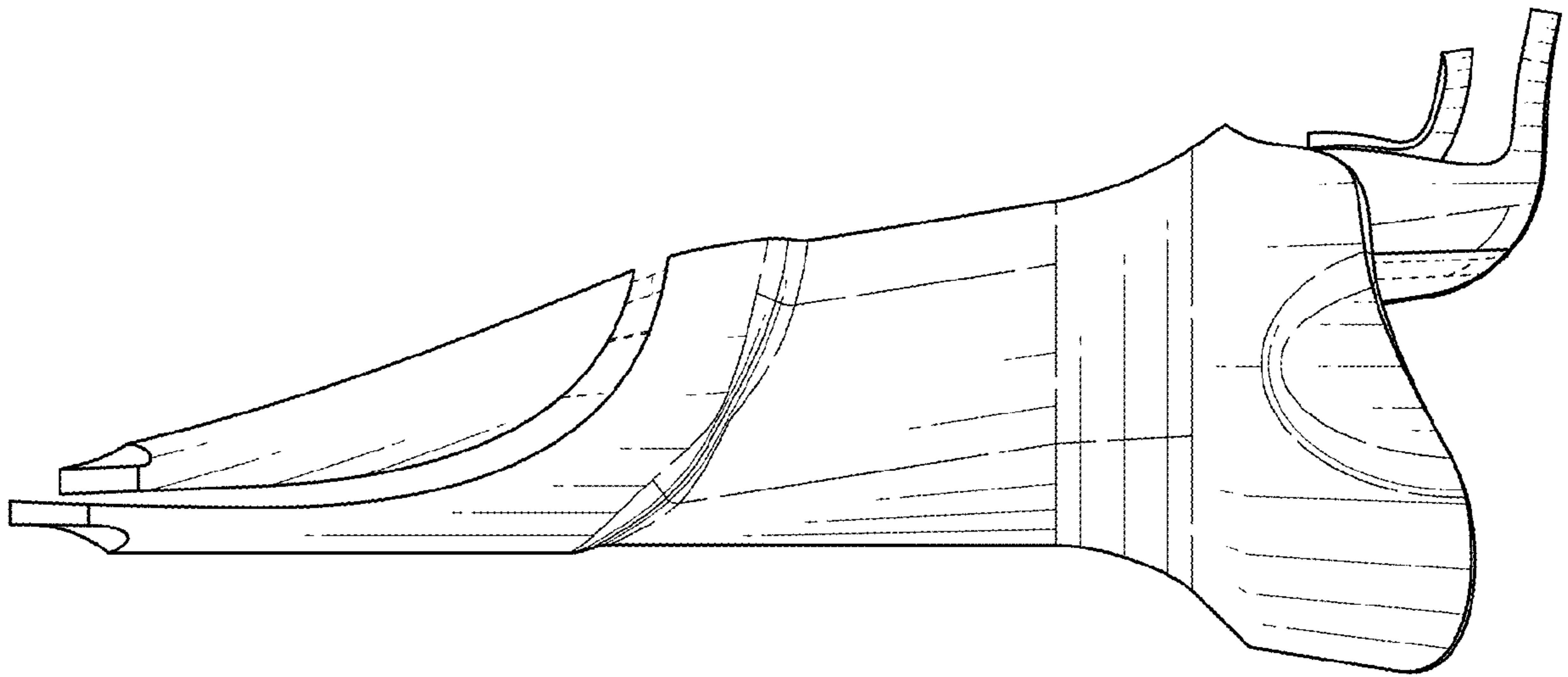


FIG. 2

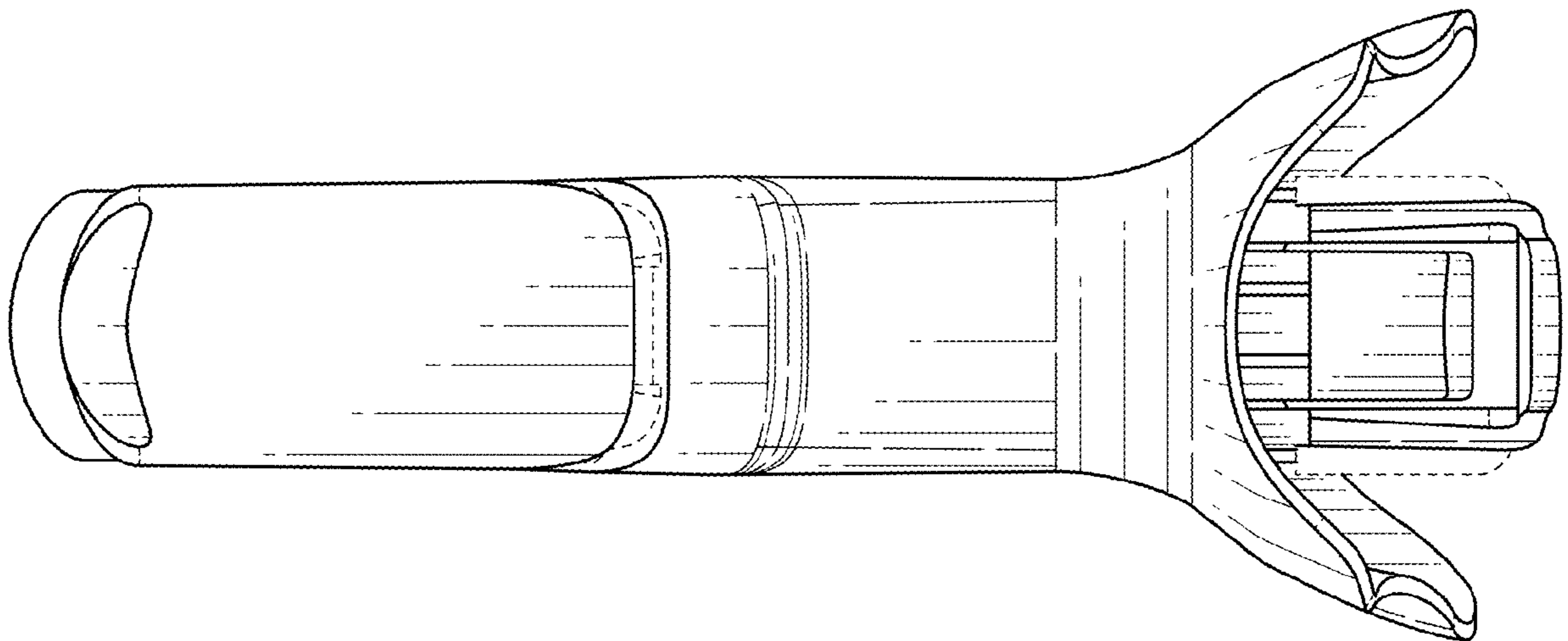


FIG. 3

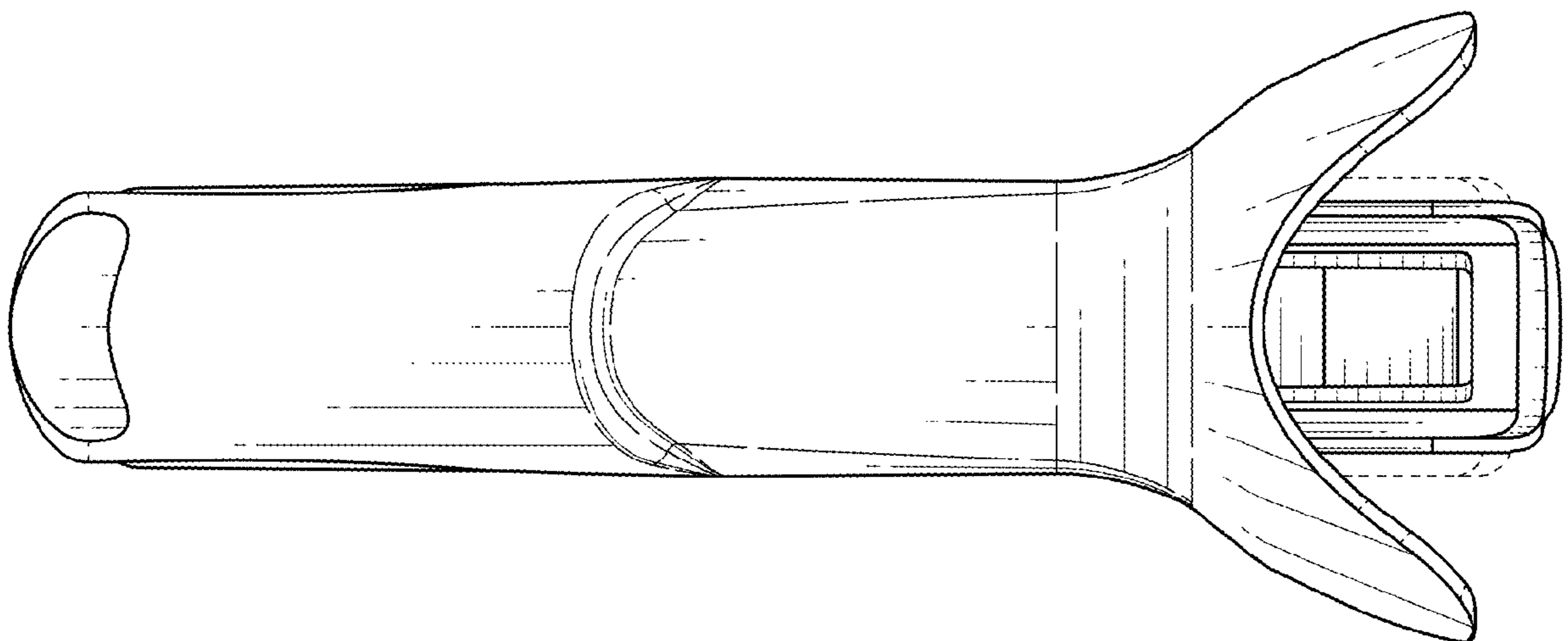


FIG. 4



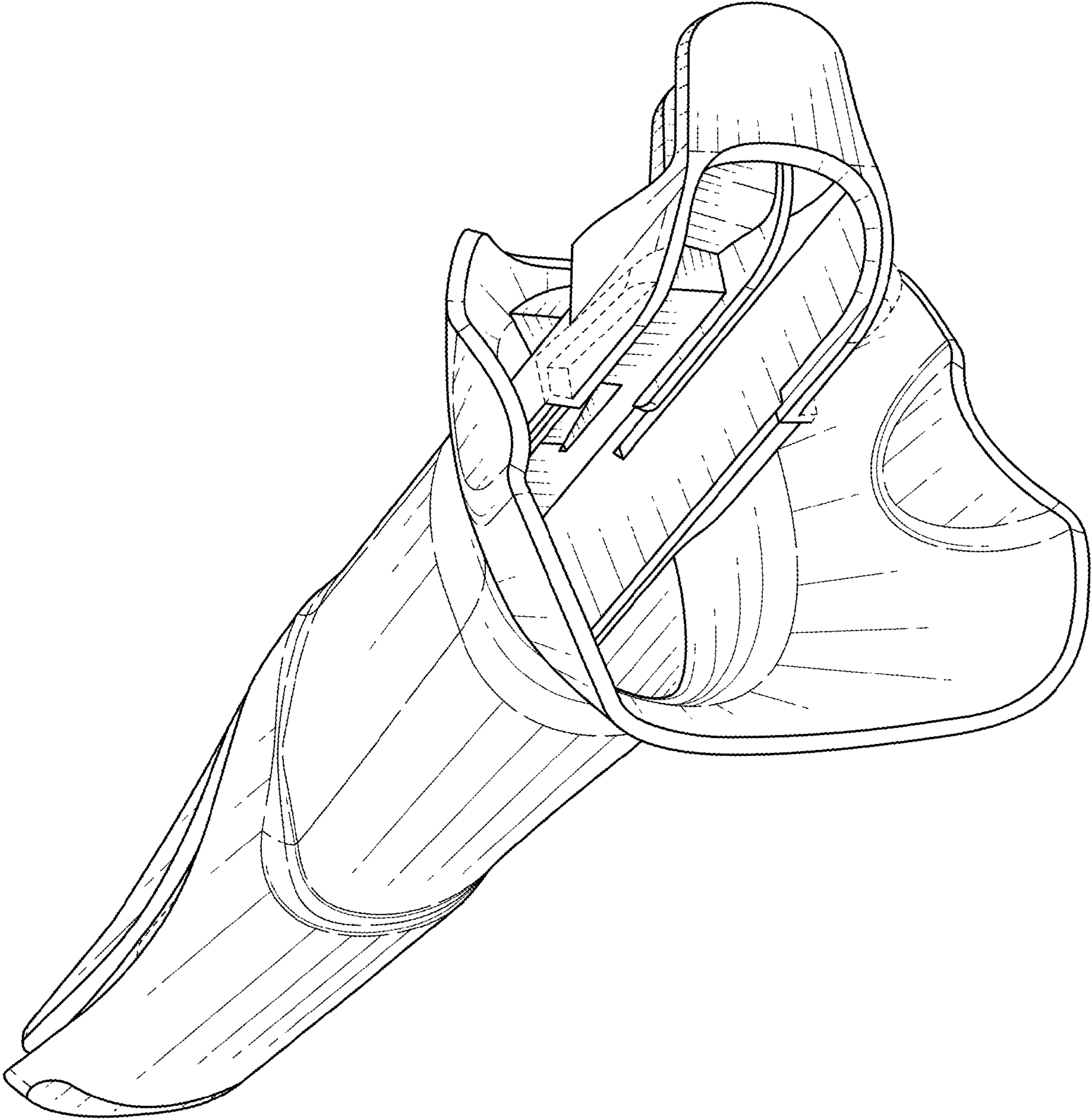


FIG. 5

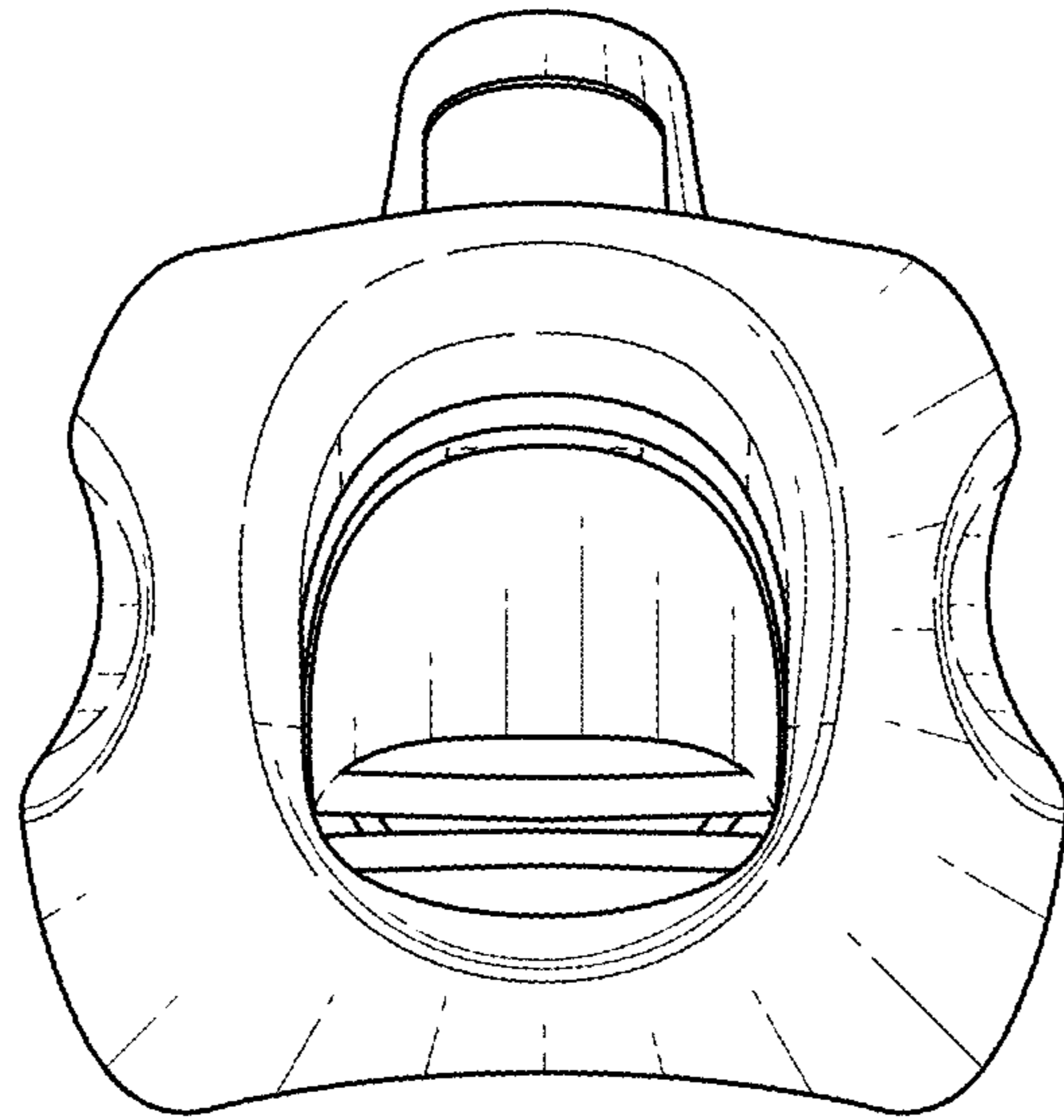


FIG. 6

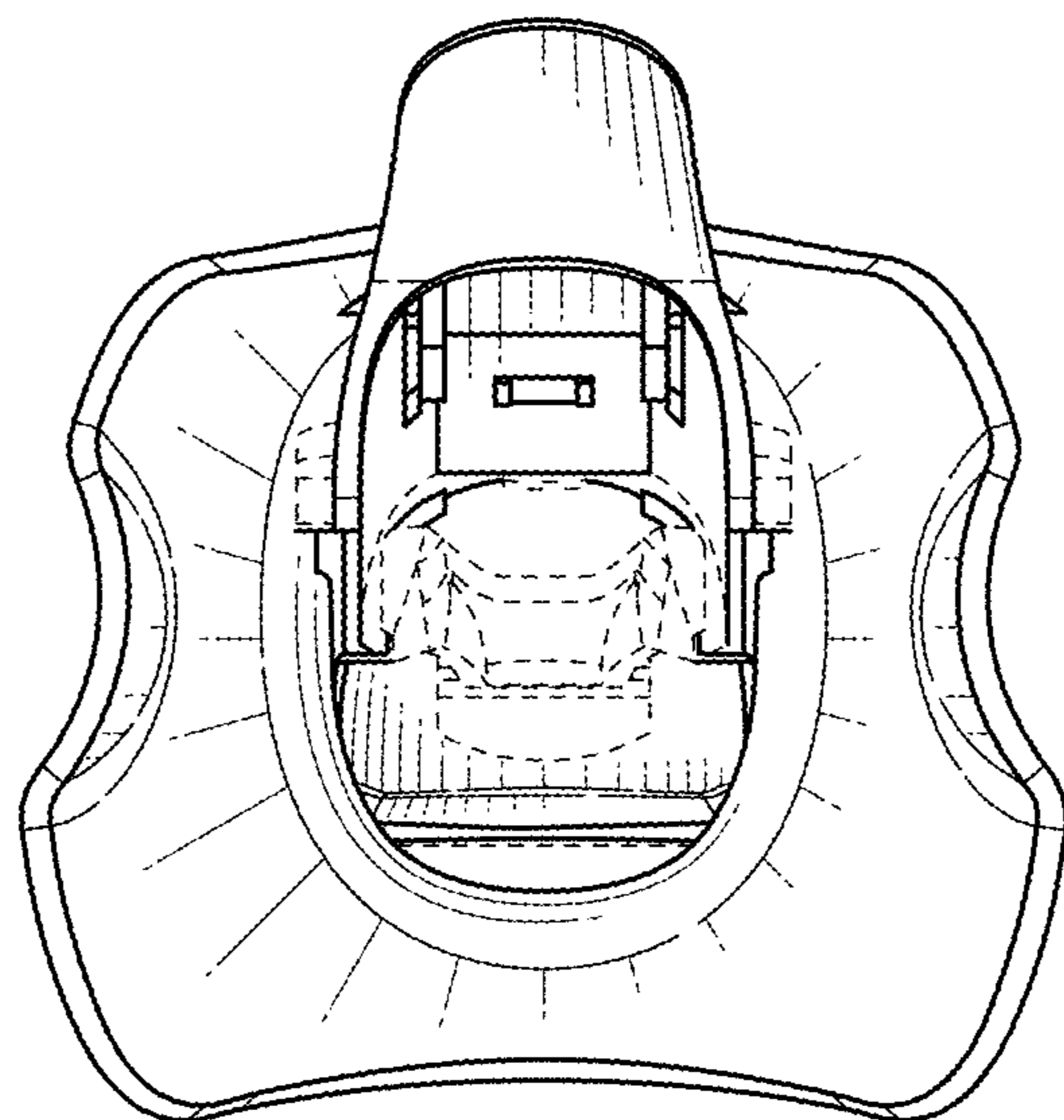


FIG. 7