

US00D869651S

(12) **United States Design Patent** (10) **Patent No.:** **US D869,651 S**
Du (45) **Date of Patent:** **** Dec. 10, 2019**

(54) **THREE-PIECE NASAL ASPIRATOR**

(71) Applicant: **Tiffany Du**, Garden Grove, CA (US)

(72) Inventor: **Tiffany Du**, Garden Grove, CA (US)

(**) Term: **15 Years**

(21) Appl. No.: **29/654,905**

(22) Filed: **Jun. 28, 2018**

(51) **LOC (12) Cl.** **24-02**

(52) **U.S. Cl.**
USPC **D24/115**

(58) **Field of Classification Search**
USPC D24/108, 110, 111, 112, 115, 119, 121,
D24/122, 123, 130, 133, 141, 152, 186,
D24/215; D28/7, 8; D9/436, 439, 440,
D9/447, 723; D7/667, 669
CPC A61F 9/0008; B65D 47/18; B01L 3/0282
See application file for complete search history.

(56) **References Cited**

U.S. PATENT DOCUMENTS

- D31,279 S * 7/1899 Davol D24/115
- 2,879,768 A * 3/1959 Anderson A61M 3/0283
604/39
- D195,186 S * 5/1963 Hershenson D24/115
- 4,258,714 A * 3/1981 Leopoldi A61M 3/0262
604/118
- 4,338,936 A * 7/1982 Nelson A61F 9/0008
604/295
- D270,238 S * 8/1983 Vilval D9/447
- D284,980 S * 8/1986 Yoshida D19/182
- D305,065 S * 12/1989 Buchel D24/118
- 5,114,415 A * 5/1992 Shedlock A61M 1/008
604/319
- D344,132 S * 2/1994 Schneberger D24/108
- D361,380 S * 8/1995 Linner D24/112
- D391,455 S * 3/1998 Wallays D7/669
- 5,848,993 A * 12/1998 Tanhehco A61M 1/0011
604/217

- D403,766 S * 1/1999 Miller-Roach D24/115
- D424,690 S * 5/2000 Szabo D24/115
- D449,777 S * 10/2001 Vignon D9/504
- D504,508 S * 4/2005 Patrickson D24/108
- D604,166 S * 11/2009 Gallo D24/110
- D621,268 S * 8/2010 Morabito D9/529
- D712,026 S * 8/2014 Cant D24/115
- D712,535 S * 9/2014 Du D24/108
- D729,593 S * 5/2015 Myoung D7/669
- D736,041 S * 8/2015 Orr D7/667

(Continued)

OTHER PUBLICATIONS

Innovo Hospital Grade Silicone Twister Bulb Baby Nasal Aspirator, publication date Jan. 10, 2018, [online][site visited Jul. 24, 2019] URL: nymag.com/strategist/article/newborn-baby-clothes-toys-bath-gear-first-aid.html (Year: 2018).*

Primary Examiner — Susan E Krakower
Assistant Examiner — L. A. Grabenstetter
(74) *Attorney, Agent, or Firm* — Richard D. Clarke

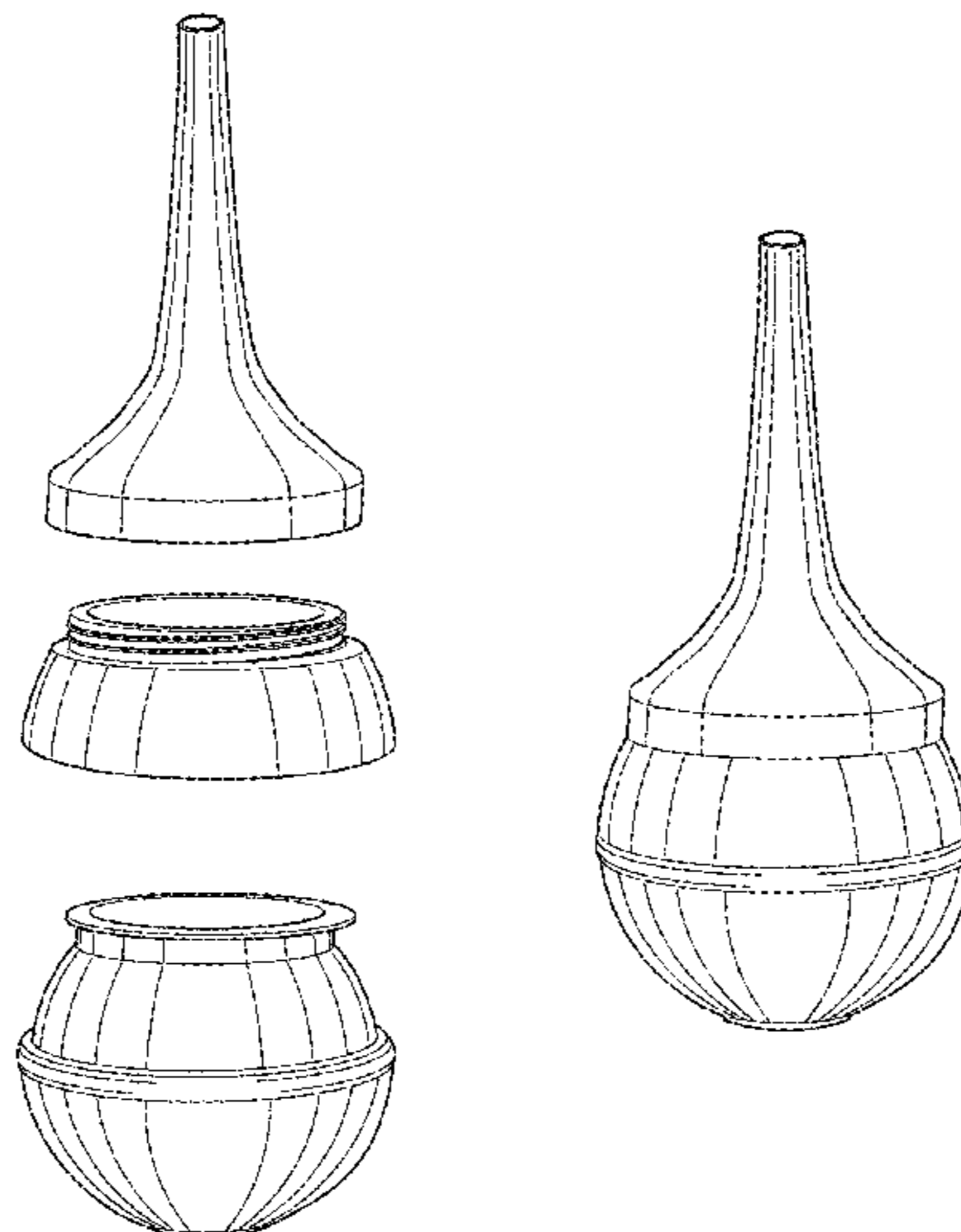
(57) **CLAIM**

I claim the ornamental design for a three-piece nasal aspirator, as shown and described.

DESCRIPTION

FIG. 1 is a front, top and side exploded perspective view of the three-piece nasal aspirator;
FIG. 2 is a side perspective view of the three-piece nasal aspirator;
FIG. 3 is a front view of the three-piece nasal aspirator;
FIG. 4 is a top plan view of the three-piece nasal aspirator;
FIG. 5 is a rear view of the three-piece nasal aspirator; and,
FIG. 6 is a bottom view of the three-piece nasal aspirator. The broken lines depict portions of the three-piece nasal aspirator that form no part of the claimed design.

1 Claim, 2 Drawing Sheets



(56)

References Cited

U.S. PATENT DOCUMENTS

9,144,635 B1 * 9/2015 Kaplan A61M 1/0009
D768,495 S * 10/2016 Staab D9/452

* cited by examiner

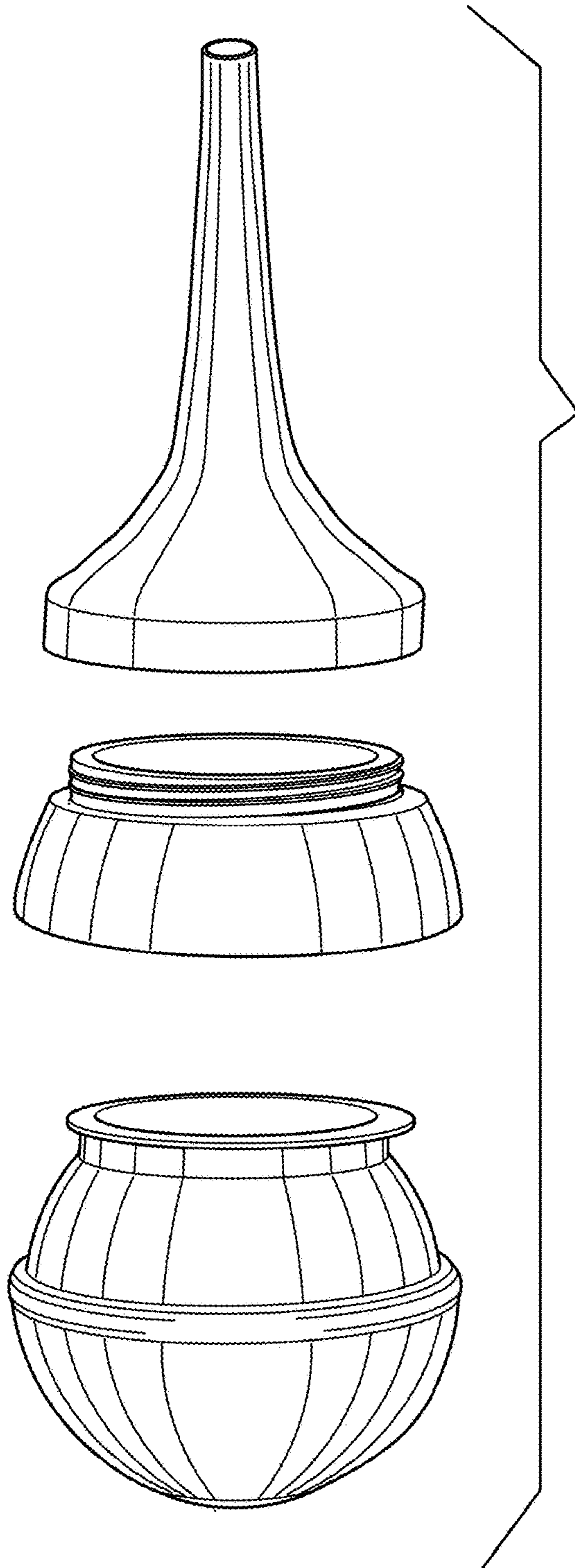


FIG. 1

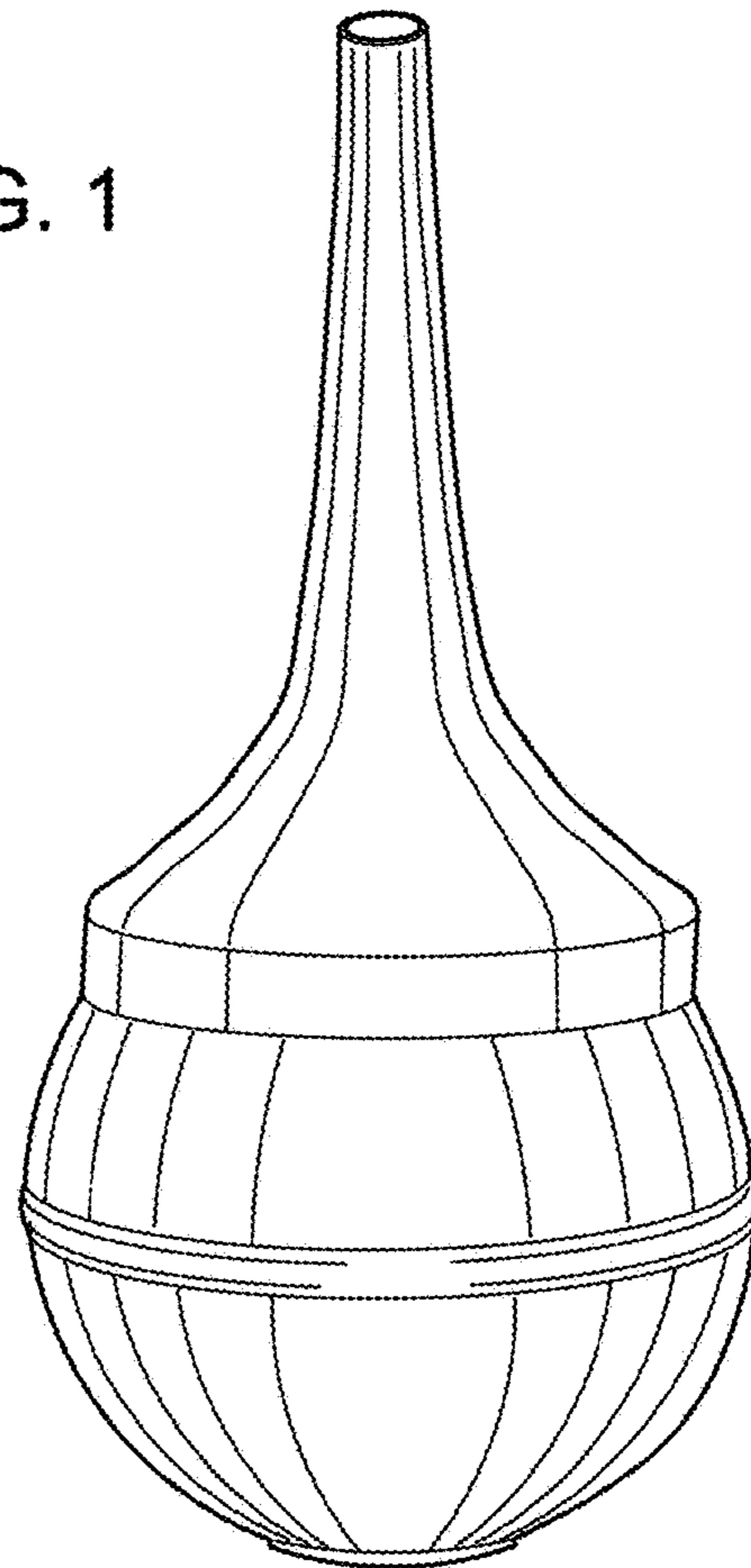


FIG. 2

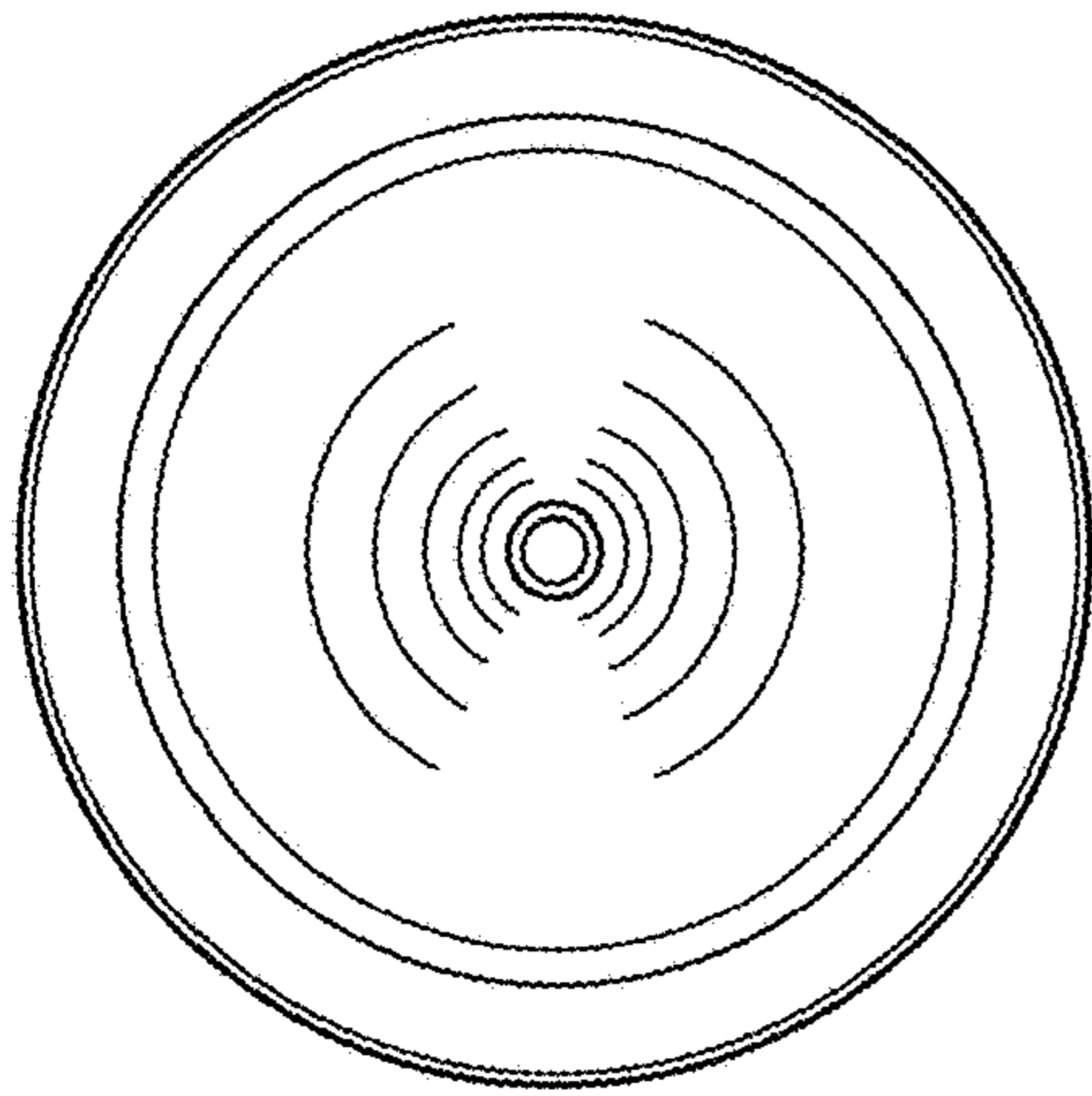


FIG. 4

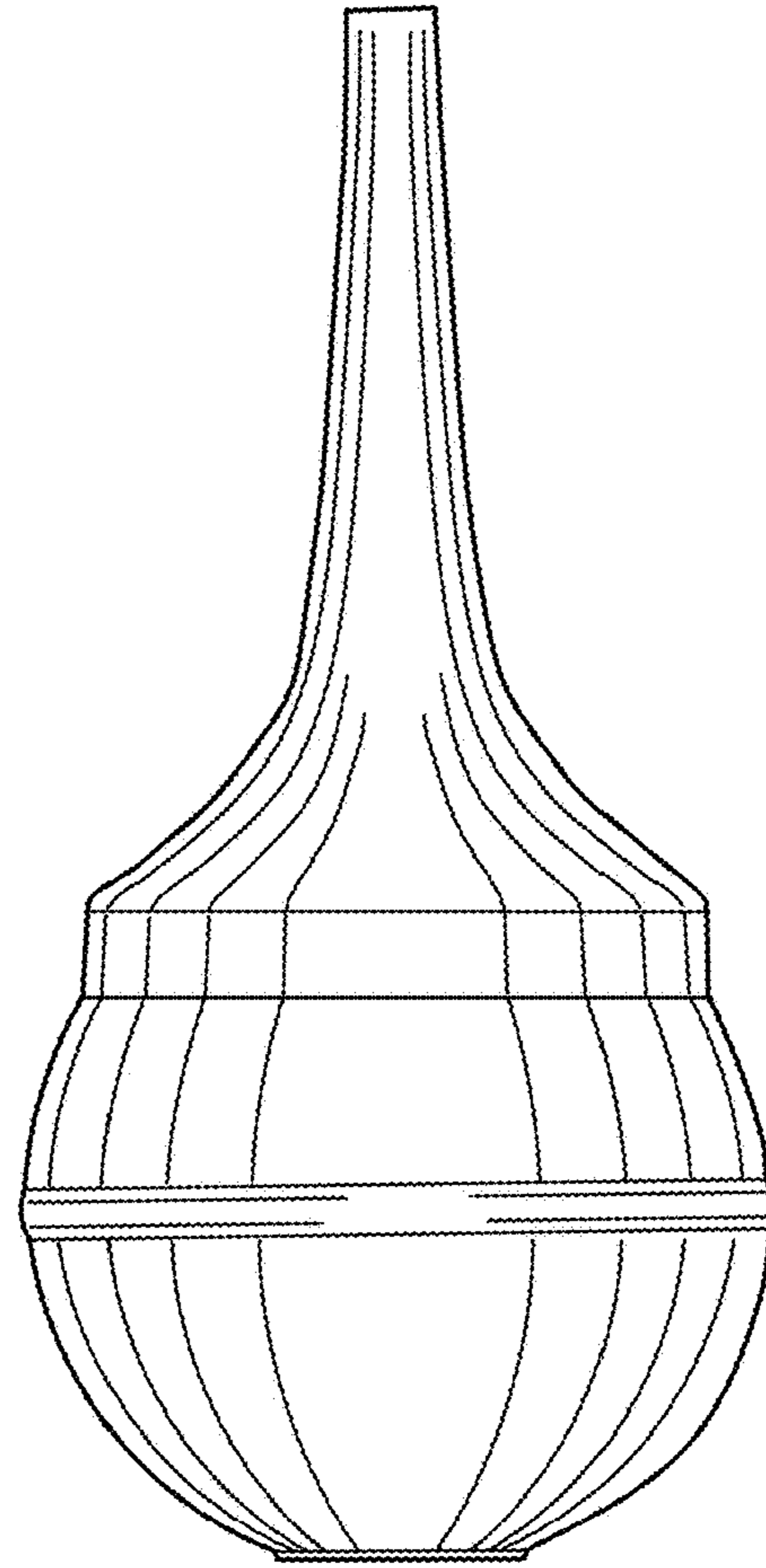


FIG. 5

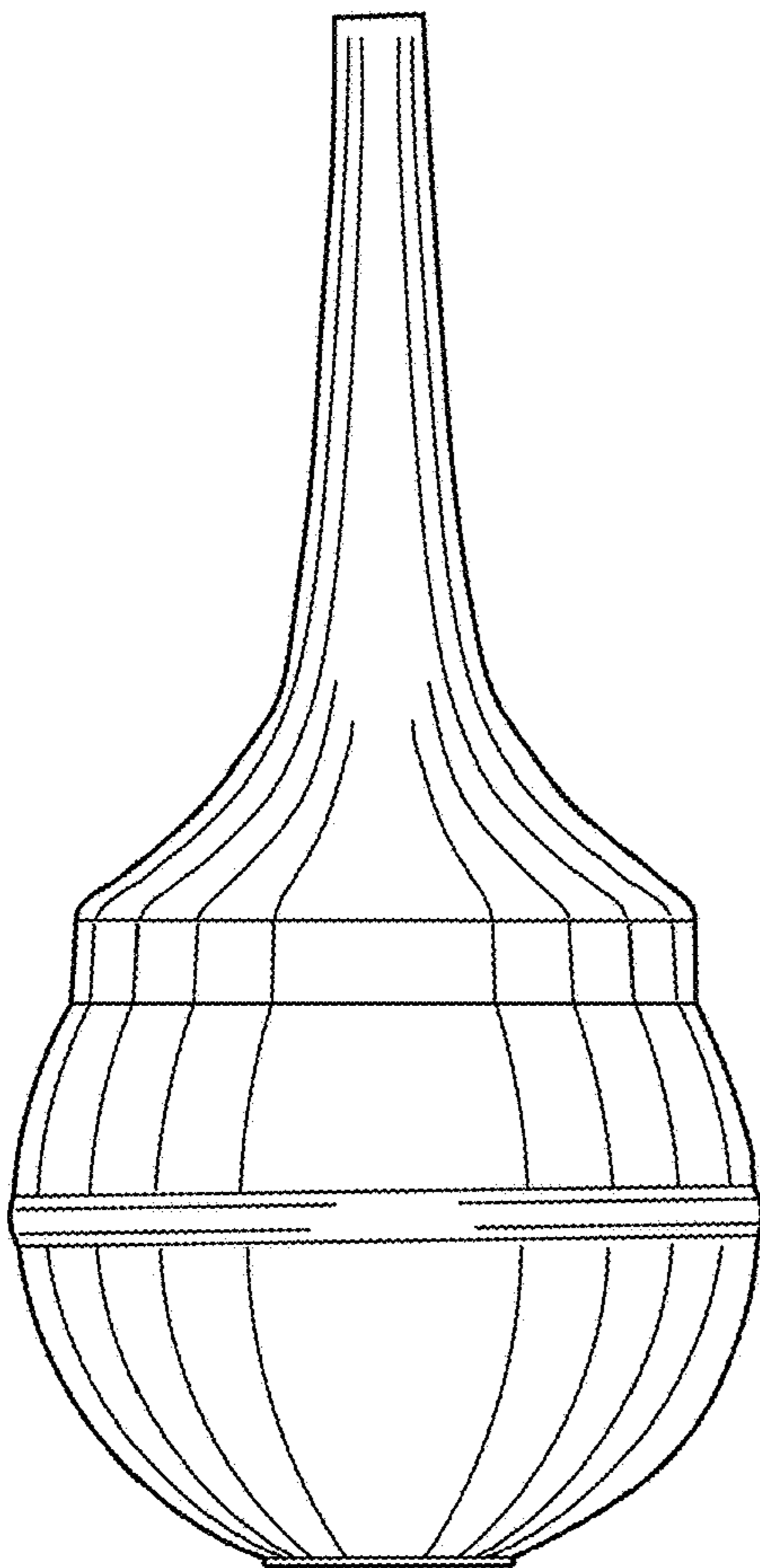


FIG. 3

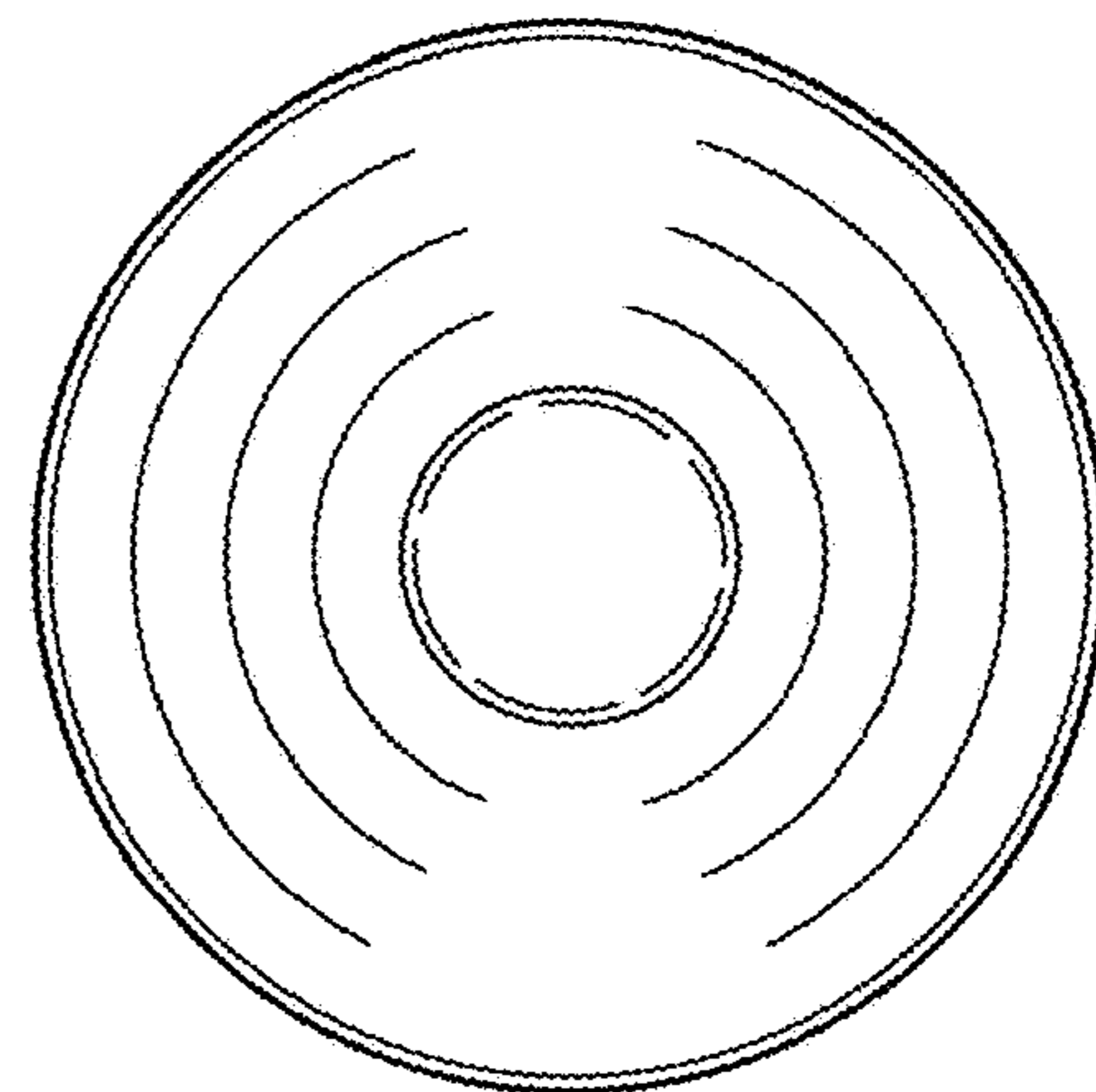


FIG. 6