

US00D869641S

(12) **United States Design Patent** (10) **Patent No.:** **US D869,641 S**  
**Sang** (45) **Date of Patent:** **\*\* Dec. 10, 2019**

(54) **SNORKEL MASK**

(71) Applicant: **Shenzhen Qianhai Huajinkangbei Technology Co., Ltd., Shenzhen (CN)**

(72) Inventor: **Qingdong Sang, Shenzhen (CN)**

(73) Assignee: **SHENZHEN QIANHAI HUAJINKANGBEI TECHNOLOGY CO., LTD., Shenzhen (CN)**

(\*\*) Term: **15 Years**

(21) Appl. No.: **29/666,555**

(22) Filed: **Oct. 15, 2018**

(51) **LOC (12) Cl.** ..... **29-02**

(52) **U.S. Cl.**  
USPC ..... **D24/110.2; D24/110.4**

(58) **Field of Classification Search**  
USPC ..... D24/110–110.5; D29/110  
CPC ..... B63C 11/205; B63C 11/16; B63C 11/186;  
B63C 11/12  
See application file for complete search history.

(56) **References Cited**

**U.S. PATENT DOCUMENTS**

D335,322 S *	5/1993	Jones	.....	B63C 11/16 D24/110.2
D501,044 S *	1/2005	Weigner	.....	D24/110.5
D775,722 S *	1/2017	Caprice	.....	D24/110.2
D802,745 S *	11/2017	Ocklenburg	.....	D24/110.5
D802,746 S *	11/2017	Ocklenburg	.....	D24/110.5
D838,358 S *	1/2019	Xu	.....	D24/110.2
D839,408 S *	1/2019	Hu	.....	D24/110.2
D849,932 S *	5/2019	Caprice	.....	D24/110.2
D851,751 S *	6/2019	Thomas	.....	D24/110.2
D852,265 S *	6/2019	Liao	.....	D24/110.2
D852,266 S *	6/2019	Liao	.....	D24/110.2
D859,642 S *	9/2019	Xiong	.....	D24/110.2
D860,436 S *	9/2019	Chen	.....	D24/110.2

2016/0297505 A1 *	10/2016	Caprice	.....	B63C 11/16
2017/0096204 A1 *	4/2017	Cucchia	.....	B63C 11/12
2018/0065719 A1 *	3/2018	Liao	.....	B63C 11/14
2018/0134352 A1 *	5/2018	Armani	.....	B63C 11/26
2018/0297676 A1 *	10/2018	Zheng	.....	B63C 11/16
2018/0319471 A1 *	11/2018	Thomas	.....	B63C 11/16
2019/0002068 A1 *	1/2019	Godoy	.....	B63C 11/205
2019/0023366 A1 *	1/2019	Liao	.....	B63C 11/16
2019/0039702 A1 *	2/2019	Gamberini	.....	B63C 11/12
2019/0224506 A1 *	7/2019	Palmieri	.....	A62B 9/02
2019/0225311 A1 *	7/2019	Barone	.....	B63C 11/16

**FOREIGN PATENT DOCUMENTS**

CN	305032563	*	2/2019
CN	305087959	*	3/2019
EM	005798618-0001	*	10/2018
EM	006859203-0001	*	9/2019

\* cited by examiner

*Primary Examiner* — Lilyana Bekic

(57) **CLAIM**

The ornamental design for a snorkel mask, as shown and described.

**DESCRIPTION**

FIG. 1 is a perspective view of the snorkel mask showing my new design;

FIG. 2 is another perspective view thereof;

FIG. 3 is a front elevational view thereof;

FIG. 4 is a rear elevational view thereof;

FIG. 5 is a left side elevational view thereof;

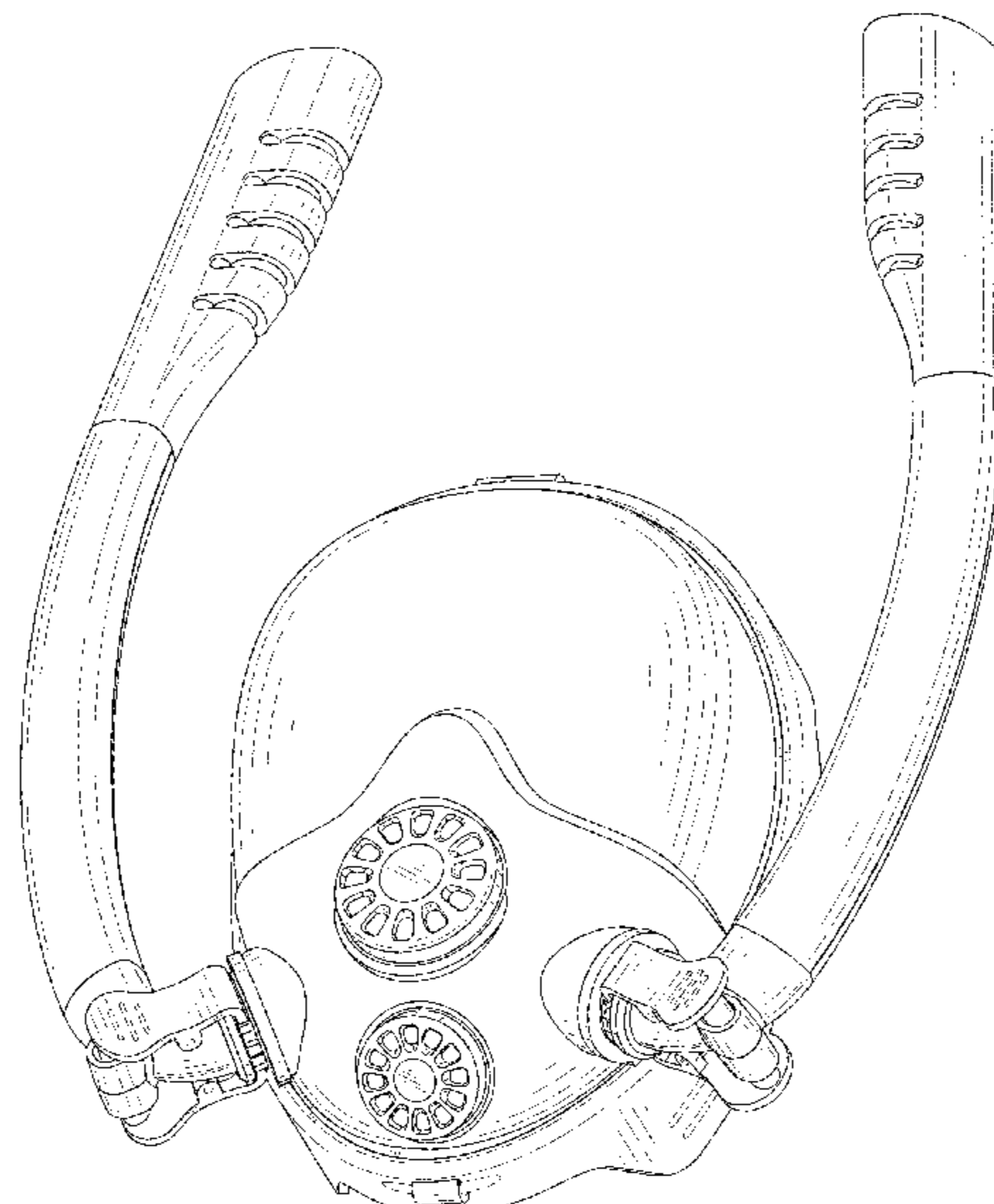
FIG. 6 is a right side elevational view thereof;

FIG. 7 is a top plan view thereof; and,

FIG. 8 is a bottom plan view thereof.

The broken lines in the drawings are for the purpose of illustrating portions of the snorkel mask and form no part of the claimed design.

**1 Claim, 8 Drawing Sheets**



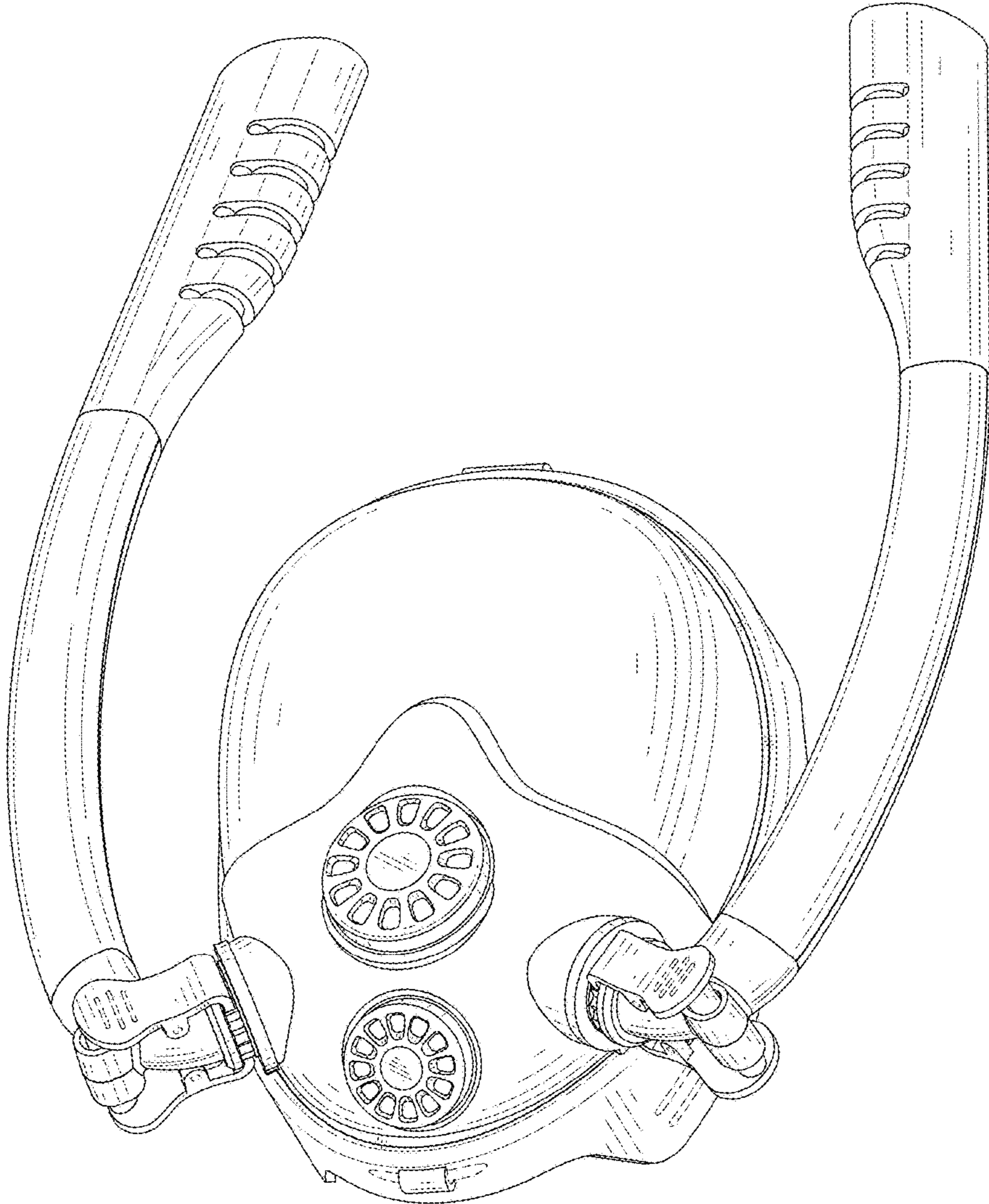


FIG. 1

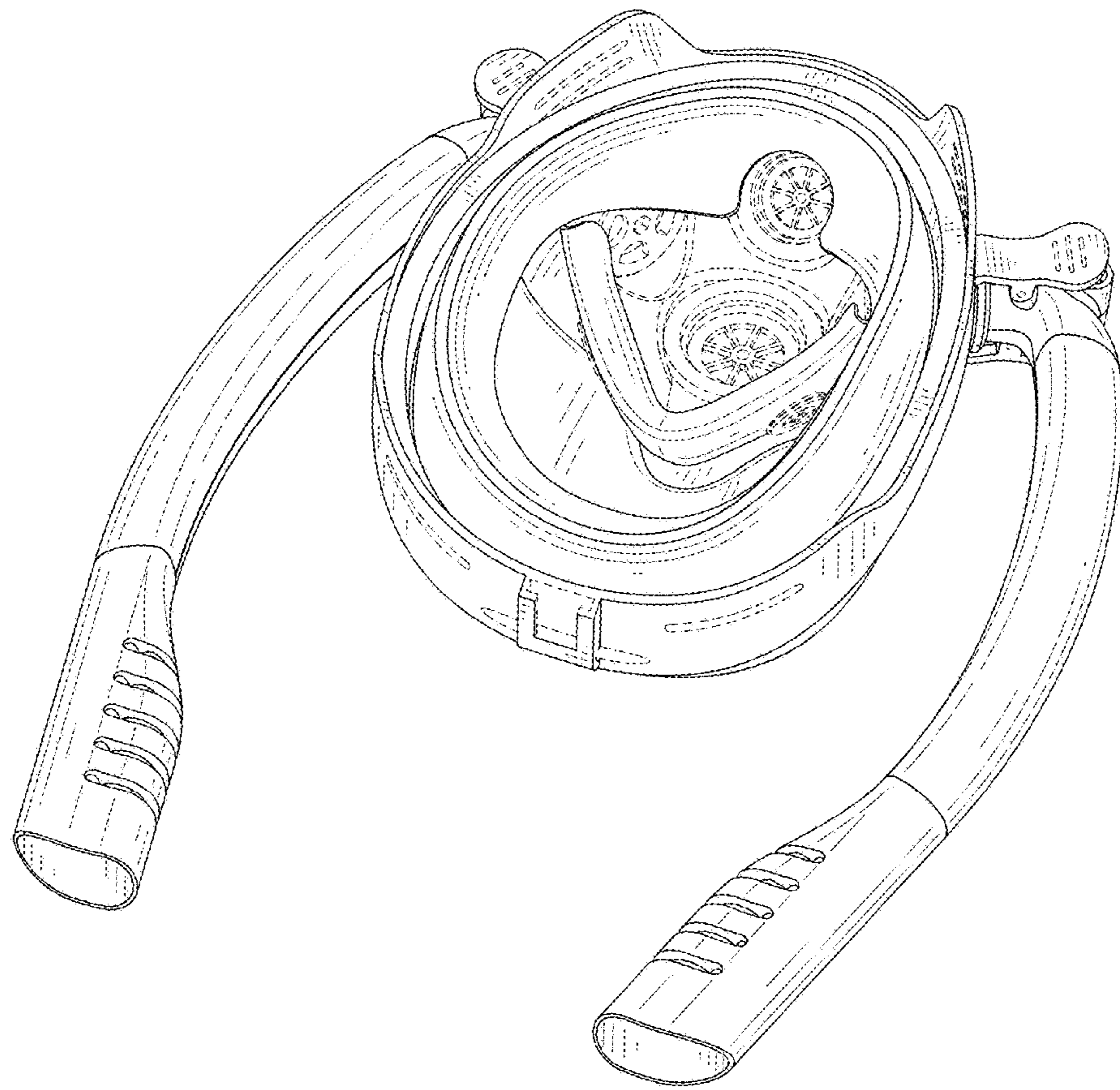


FIG. 2

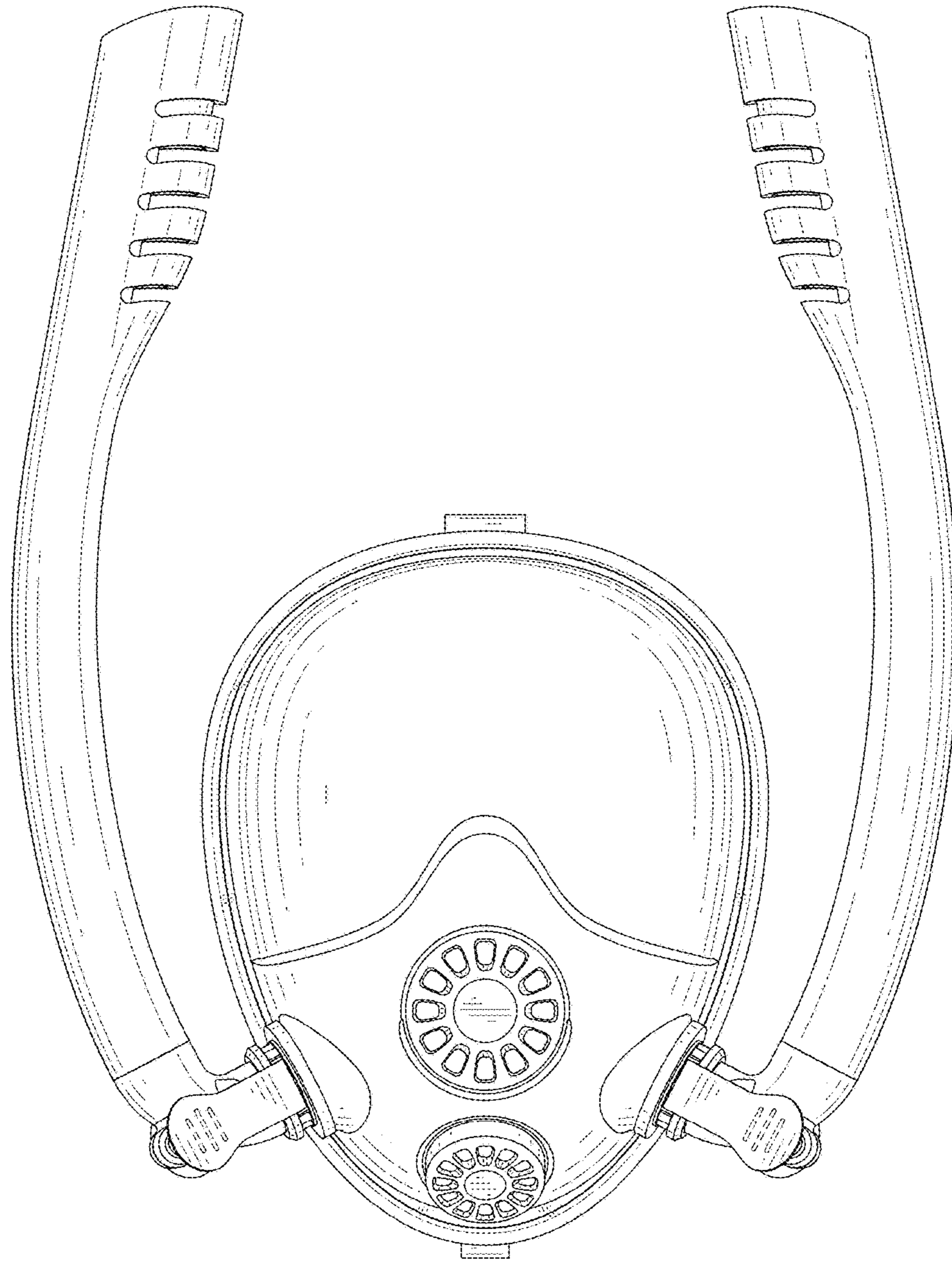


FIG. 3

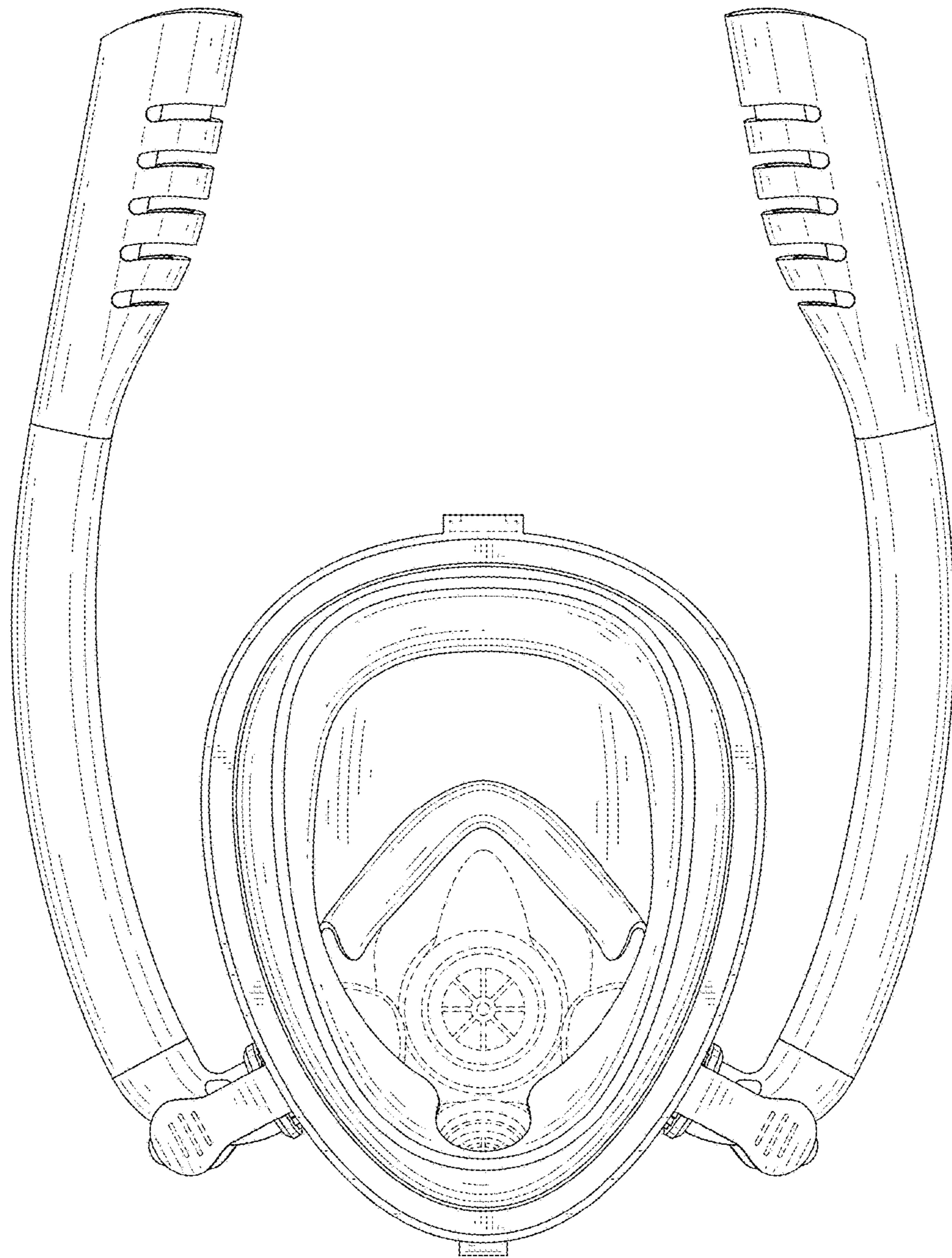


FIG. 4

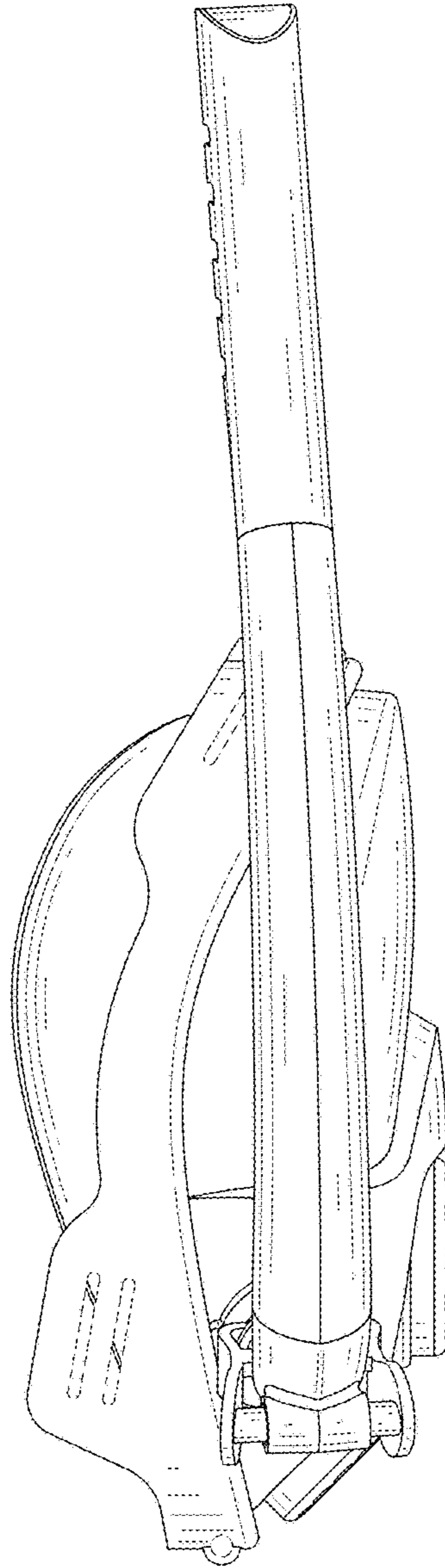


FIG. 5

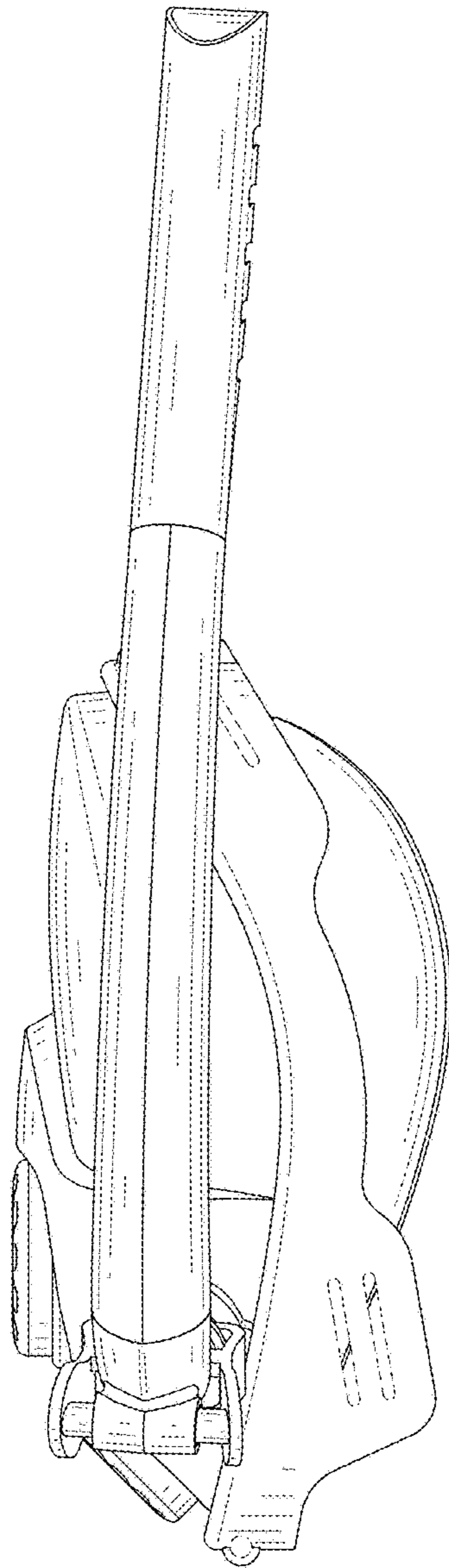


FIG. 6

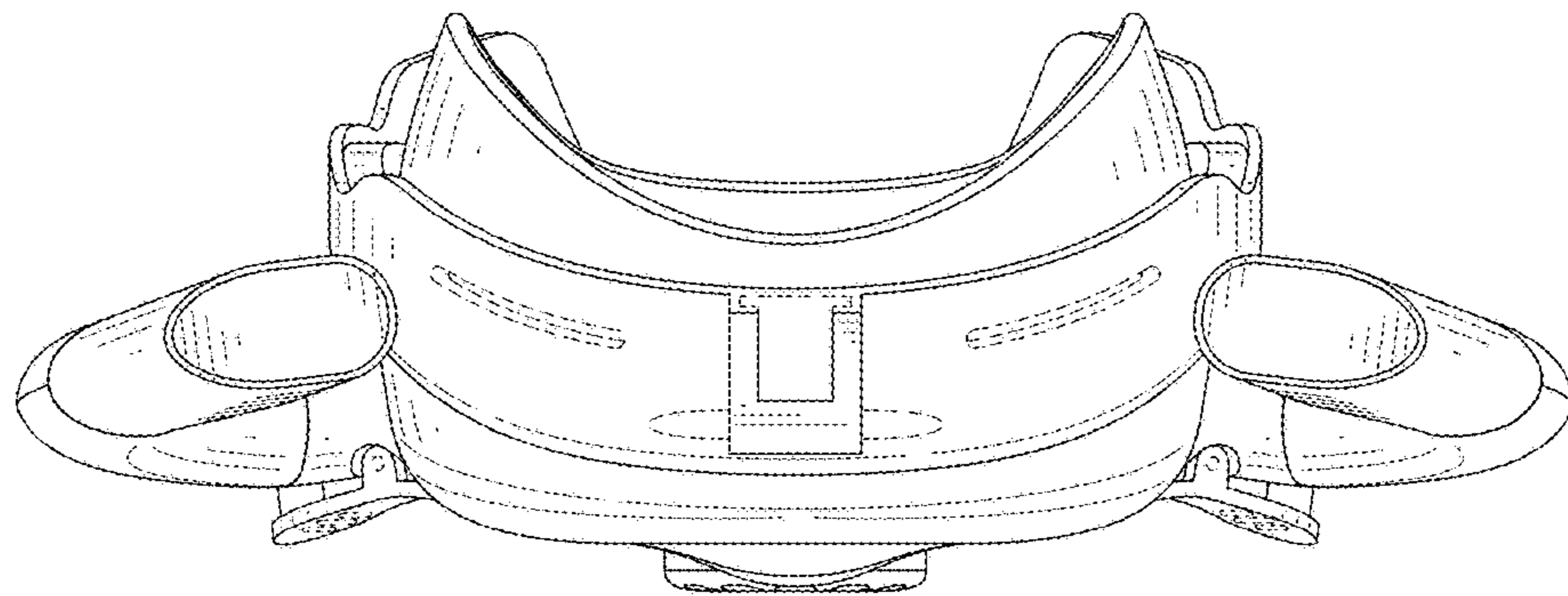


FIG. 7



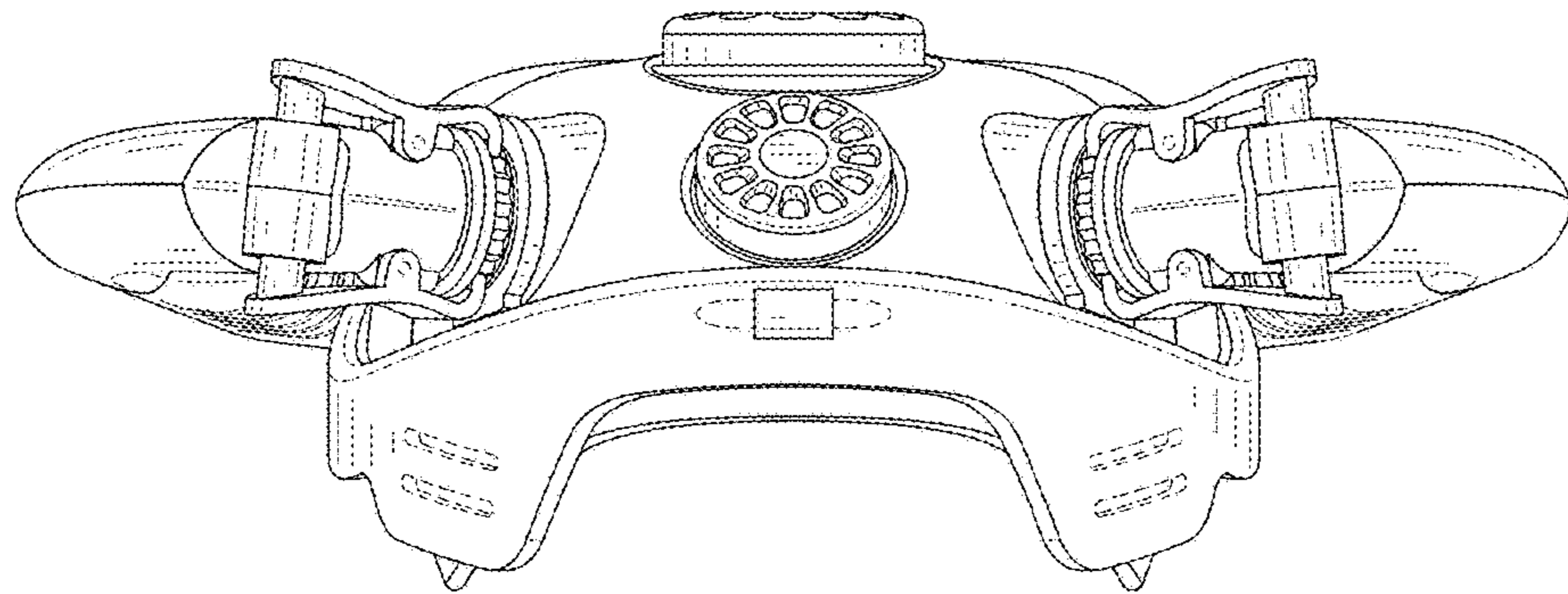


FIG. 8