

US00D869640S

(12) **United States Design Patent**
Fan

(10) **Patent No.:** **US D869,640 S**

(45) **Date of Patent:** **** Dec. 10, 2019**

(54) **DIVING MASK**

(71) Applicant: **Dongguan Hongjun Sports Goods Co., Ltd., Dongguan (CN)**

(72) Inventor: **Jianyun Fan, Dongguan (CN)**

(**) Term: **15 Years**

(21) Appl. No.: **29/629,584**

(22) Filed: **Dec. 14, 2017**

(51) **LOC (12) Cl.** **29-02**

(52) **U.S. Cl.**

USPC **D24/110.2; D24/110.4**

(58) **Field of Classification Search**

USPC D24/110-110.6, 127, 129; D29/110

CPC A61M 16/0616; A61M 16/0633; A61M

16/06; A61M 16/0666; A61M 16/0683;

A61M 16/0605; A61M 16/0622; A61M

16/0644; A61M 16/0875; A61M 16/0816;

A61M 16/08; B63C 11/205; B63C 11/16;

B63C 11/186; B63C 11/12

See application file for complete search history.

(56) **References Cited**

U.S. PATENT DOCUMENTS

D503,498 S	*	3/2005	Canavan	D29/110
D552,233 S	*	10/2007	Trujillo	D24/110.2
D582,547 S	*	12/2008	Ungar	D24/110.1
D593,197 S	*	5/2009	Todd	D24/110.2
D602,154 S	*	10/2009	Ono	D24/110.2
D668,327 S	*	10/2012	Sumner	D24/110.2
D668,758 S	*	10/2012	Hall	D24/110.2
D704,327 S	*	5/2014	Lavoie	D24/110.2
D704,328 S	*	5/2014	Lavoie	D24/110.2
D775,722 S	*	1/2017	Caprice	D24/110.2
D802,220 S	*	11/2017	Farias	D29/110

2001/0013346 A1* 8/2001 Lemke B63C 11/16
128/201.11

2016/0127716 A1* 5/2016 Ramiro H04N 13/044
348/53

2016/0297505 A1* 10/2016 Caprice B63C 11/16

2017/0096204 A1* 4/2017 Cucchia B63C 11/12

2017/0334531 A1* 11/2017 Shiue A62B 9/02

OTHER PUBLICATIONS

Top 8 Best Full Face Snorkel Masks 2017, posted at vbestseller.com, earliest date reviewed on May 20, 2017, [online], acquired on Apr. 10, 2018. Available from Internet, <URL: <https://vbestseller.com/best-full-face-snorkel-mask-reviews/>> (Year: 2017).*

* cited by examiner

Primary Examiner — Lilyana Bekic

Assistant Examiner — Aula Soroush

(74) *Attorney, Agent, or Firm* — Erson IP (Nelson IP)

(57) **CLAIM**

The ornamental design for a diving mask, as shown and described.

DESCRIPTION

FIG. 1 is a front view of a diving mask showing my new design;

FIG. 2 is a rear view thereof;

FIG. 3 is a top view thereof;

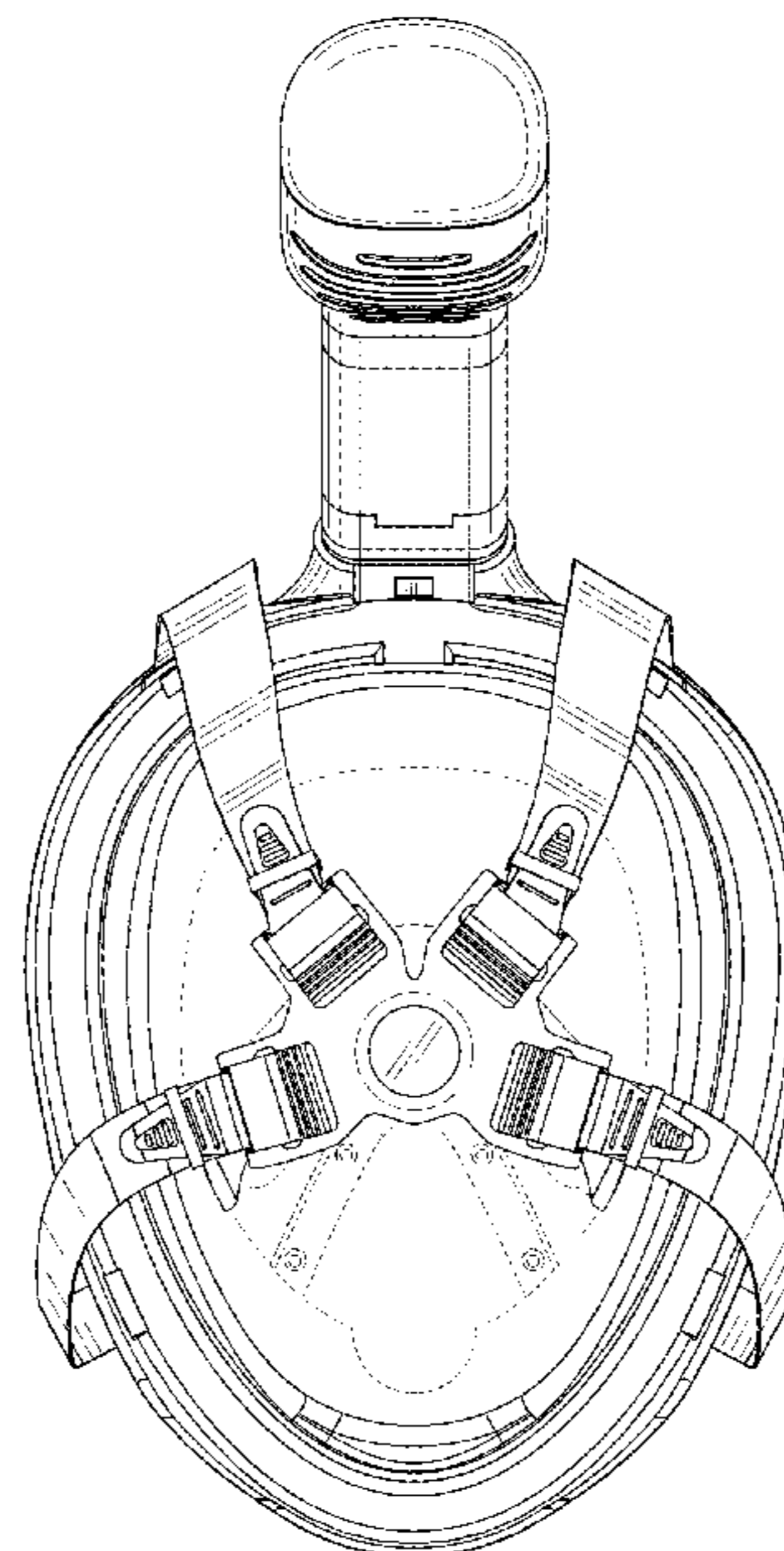
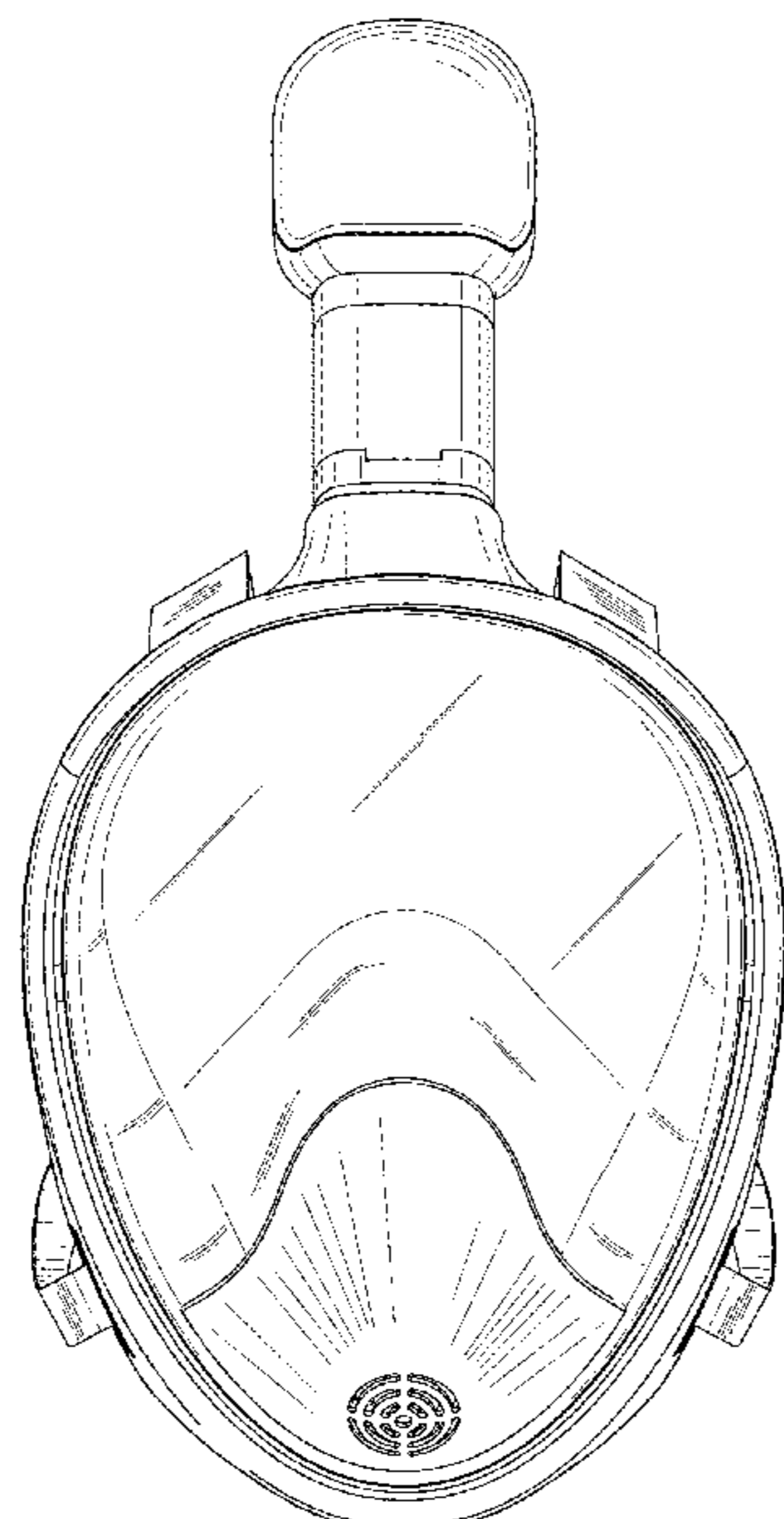
FIG. 4 is a bottom view thereof;

FIG. 5 is a left side elevation view thereof; and,

FIG. 6 is a right side elevation view thereof.

The broken lines are for the purposes of illustrating portions of the diving mask and form no part of the claimed design.

1 Claim, 6 Drawing Sheets



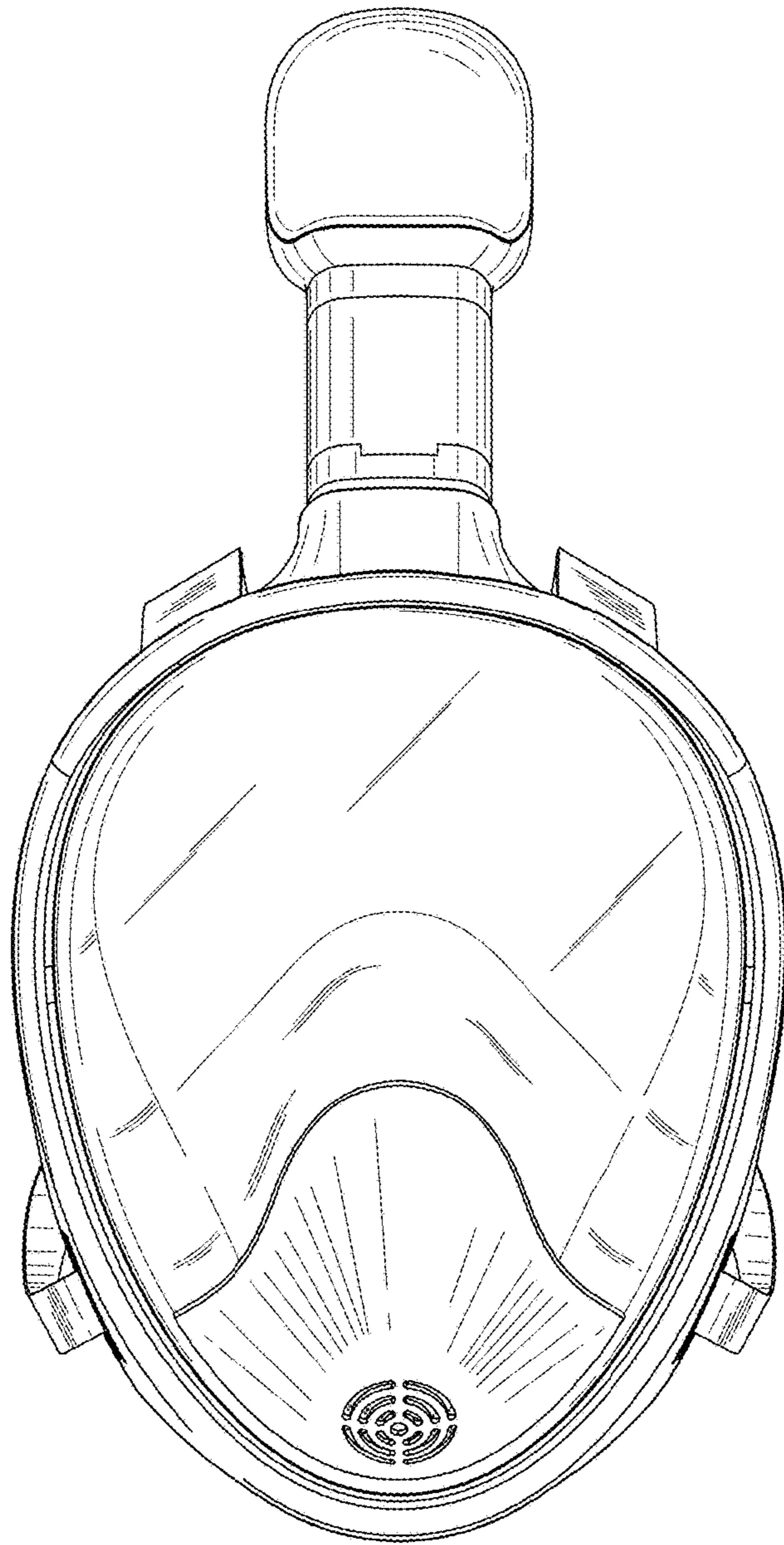


Fig. 1

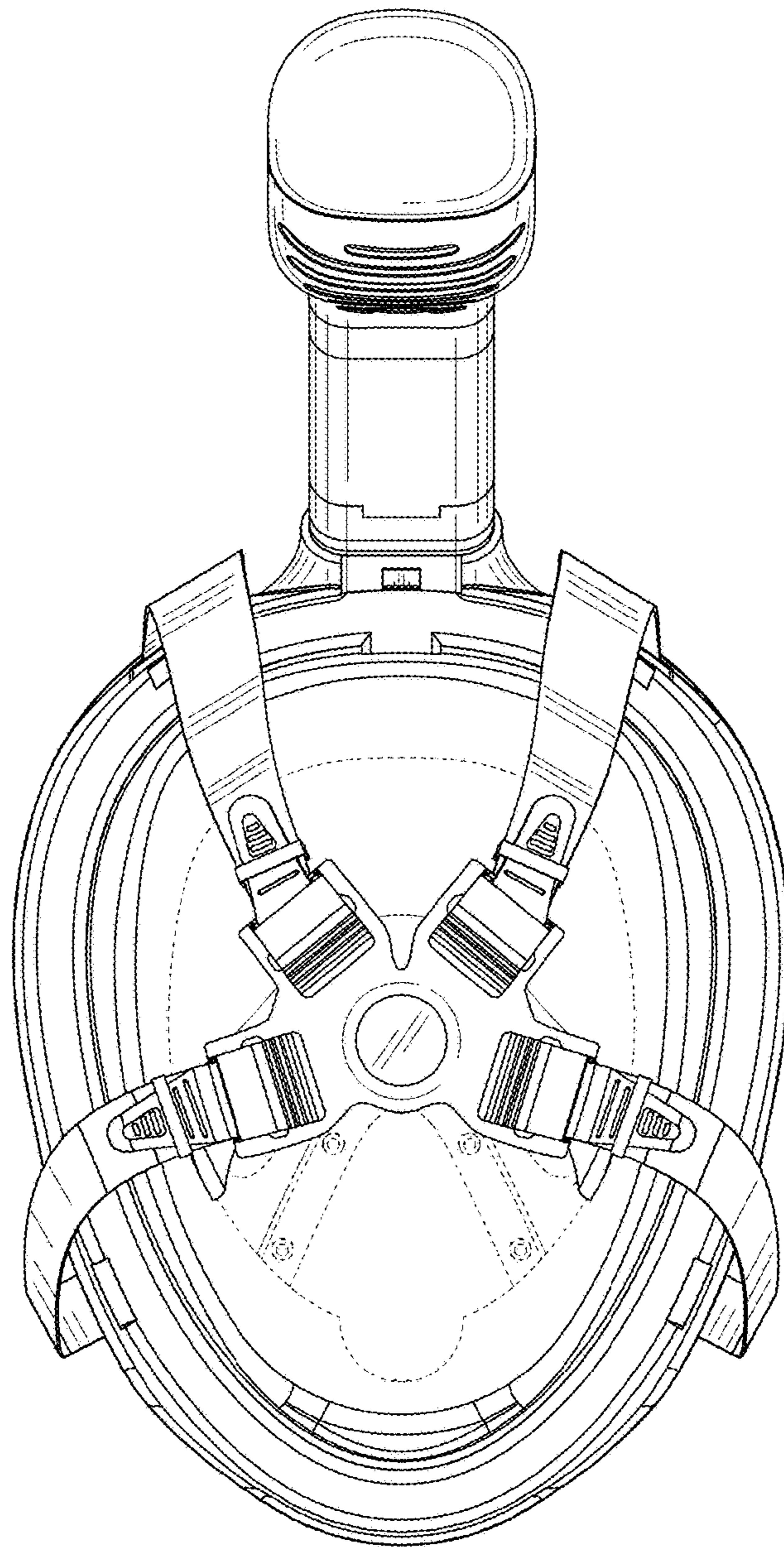


Fig. 2

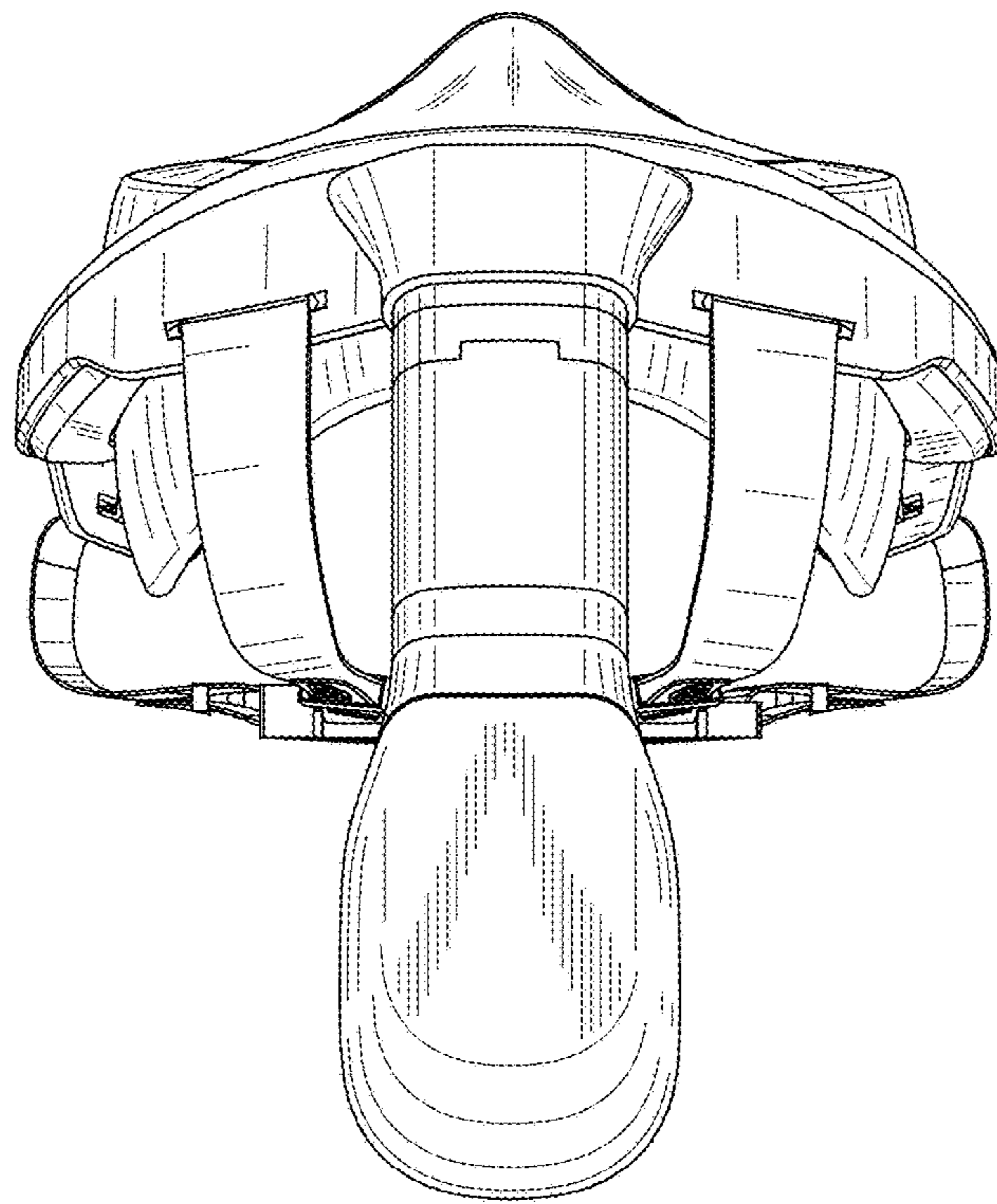


Fig. 3

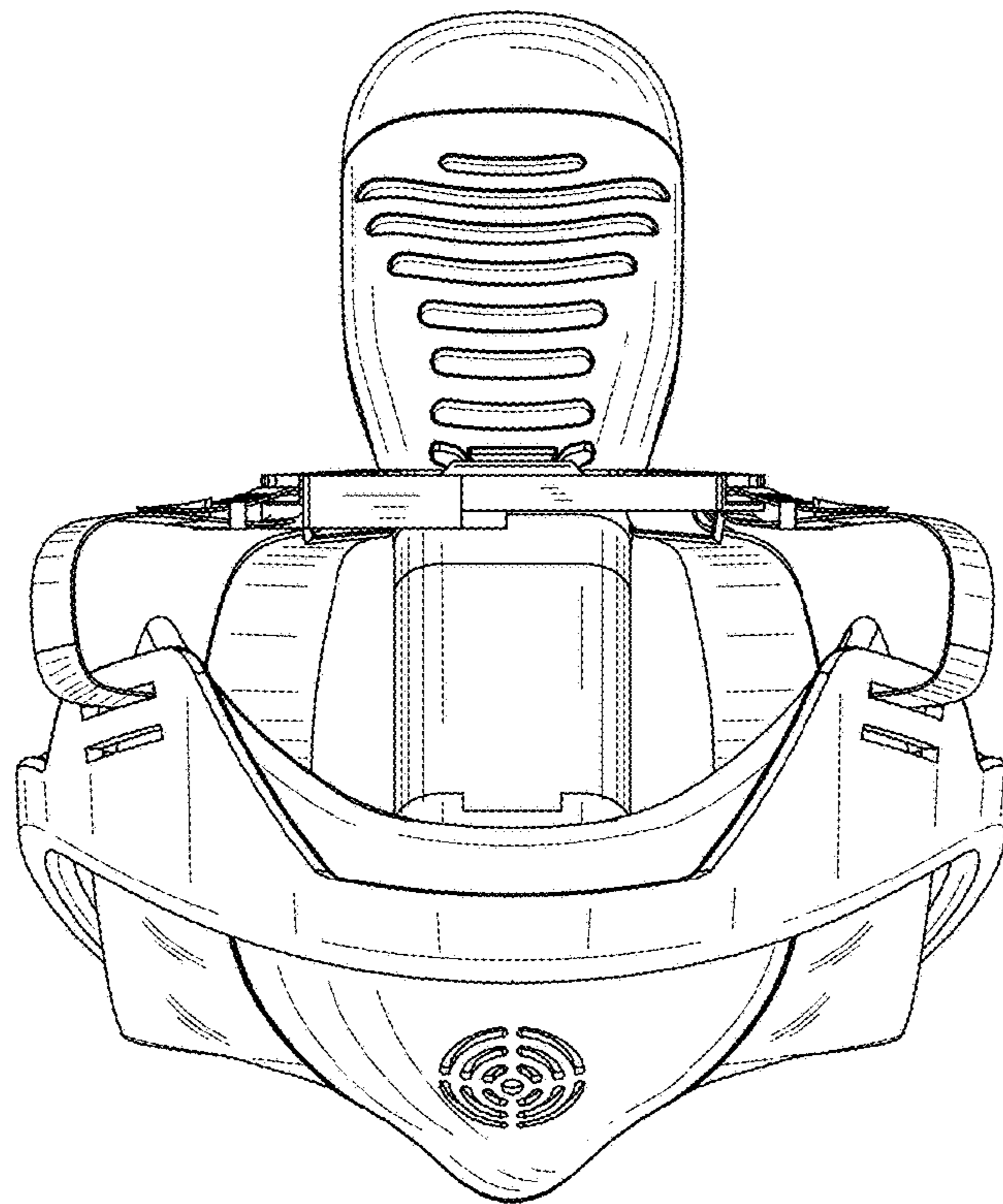


Fig. 4

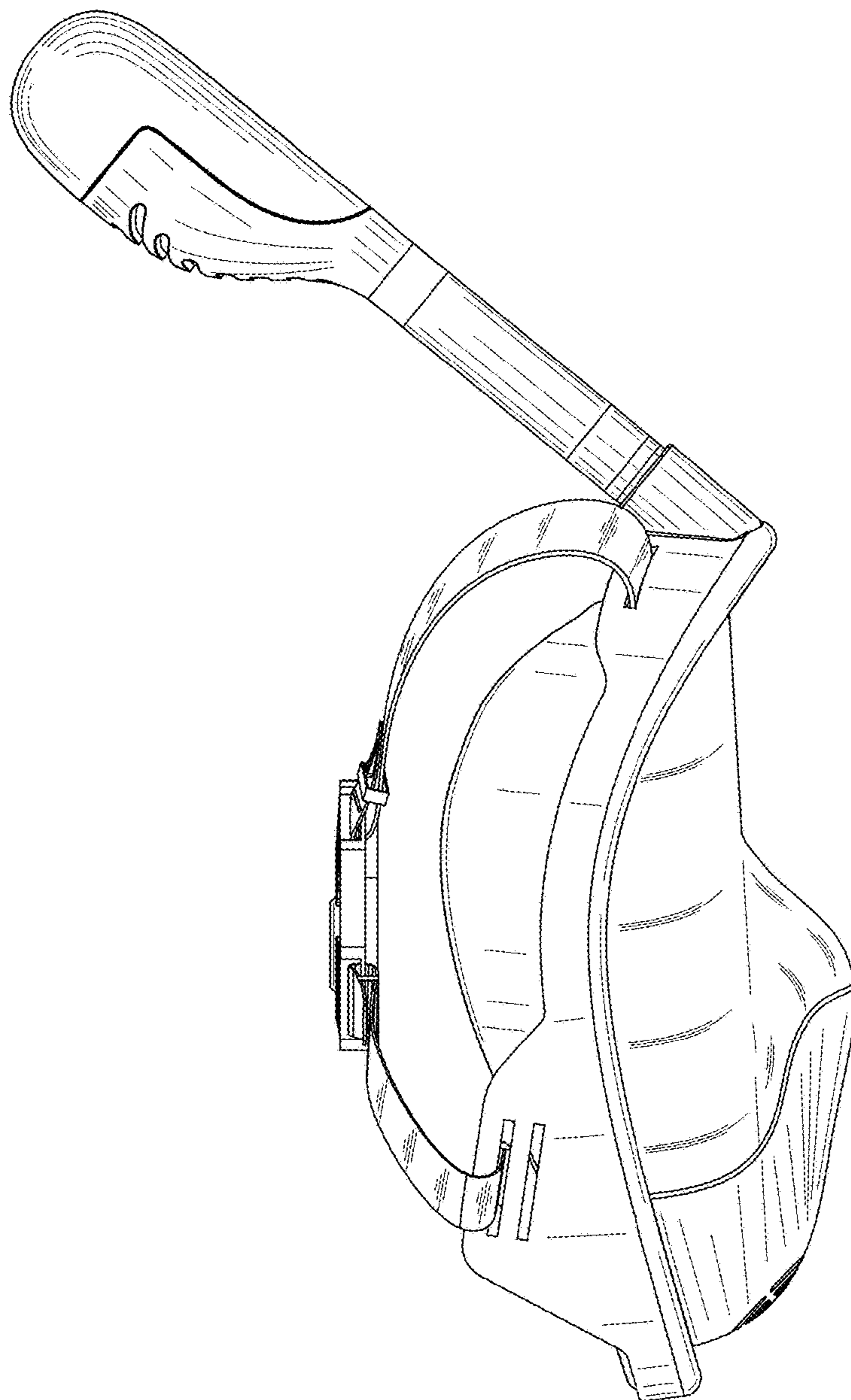


Fig. 5

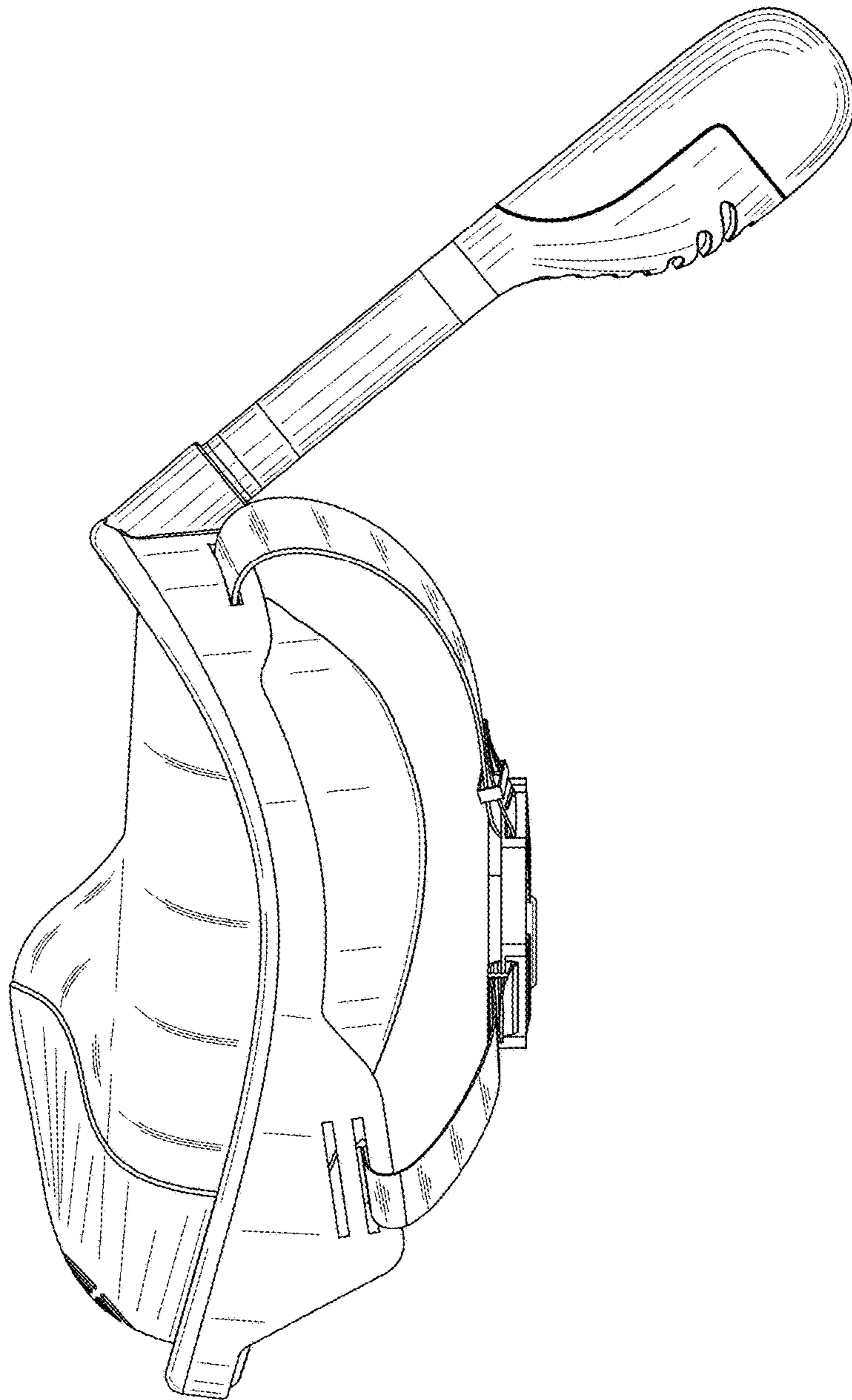


Fig. 6