



US00D869639S

(12) **United States Design Patent** (10) **Patent No.:** **US D869,639 S**
Liao (45) **Date of Patent:** **** Dec. 10, 2019**

(54) **SNORKEL MASK**
(71) Applicant: **Shenzhen CP-Link Electronic Co., Ltd., Shenzhen (CN)**
(72) Inventor: **Chaowu Liao, Shenzhen (CN)**
(**) Term: **15 Years**
(21) Appl. No.: **29/611,683**
(22) Filed: **Jul. 24, 2017**
(51) **LOC (12) Cl.** **29-02**
(52) **U.S. Cl.**
USPC **D24/110.2; D24/110.4**
(58) **Field of Classification Search**
USPC D24/110–110.6; D29/110
CPC B63C 11/205; B63C 11/16; B63C 11/186;
B63C 11/12
See application file for complete search history.

2019/0002068 A1* 1/2019 Godoy B63C 11/205
2019/0023366 A1* 1/2019 Liao B63C 11/16
2019/0039702 A1* 2/2019 Gamberini B63C 11/12
2019/0118918 A1* 4/2019 Xiao B63C 11/16
2019/0224506 A1* 7/2019 Palmieri A62B 9/02
2019/0225312 A1* 7/2019 Barone B63C 11/16

OTHER PUBLICATIONS

2018 SMASCO Blue Diving Scuba Snorkel. Alibaba.com. Date viewed: Jan. 30, 2019. Retrieved from Internet: <https://cplink.en.alibaba.com/product/60741268967-804835380/2018_SMACO_patent_Blue_Snorkeling_equipment_Diving_Scuba_snorkel_mask_BSCI_factory.html?spm=a2700.icbuShop.74.1.346973f2AGDk9l> (Year: 2019).*

* cited by examiner

Primary Examiner — Lilyana Bekic

(57) **CLAIM**

The ornamental design of a snorkel mask, as shown and described.

DESCRIPTION

FIG. 1 is a front perspective view of a snorkel mask showing my new design.

FIG. 2 is a rear perspective view thereof.

FIG. 3 is a front view thereof.

FIG. 4 is a rear view thereof.

FIG. 5 is a left side view thereof.

FIG. 6 is a right side view thereof.

FIG. 7 is a top view thereof.

FIG. 8 is a bottom view thereof; and,

FIG. 9 is another rear perspective view thereof, shown with a strap attached.

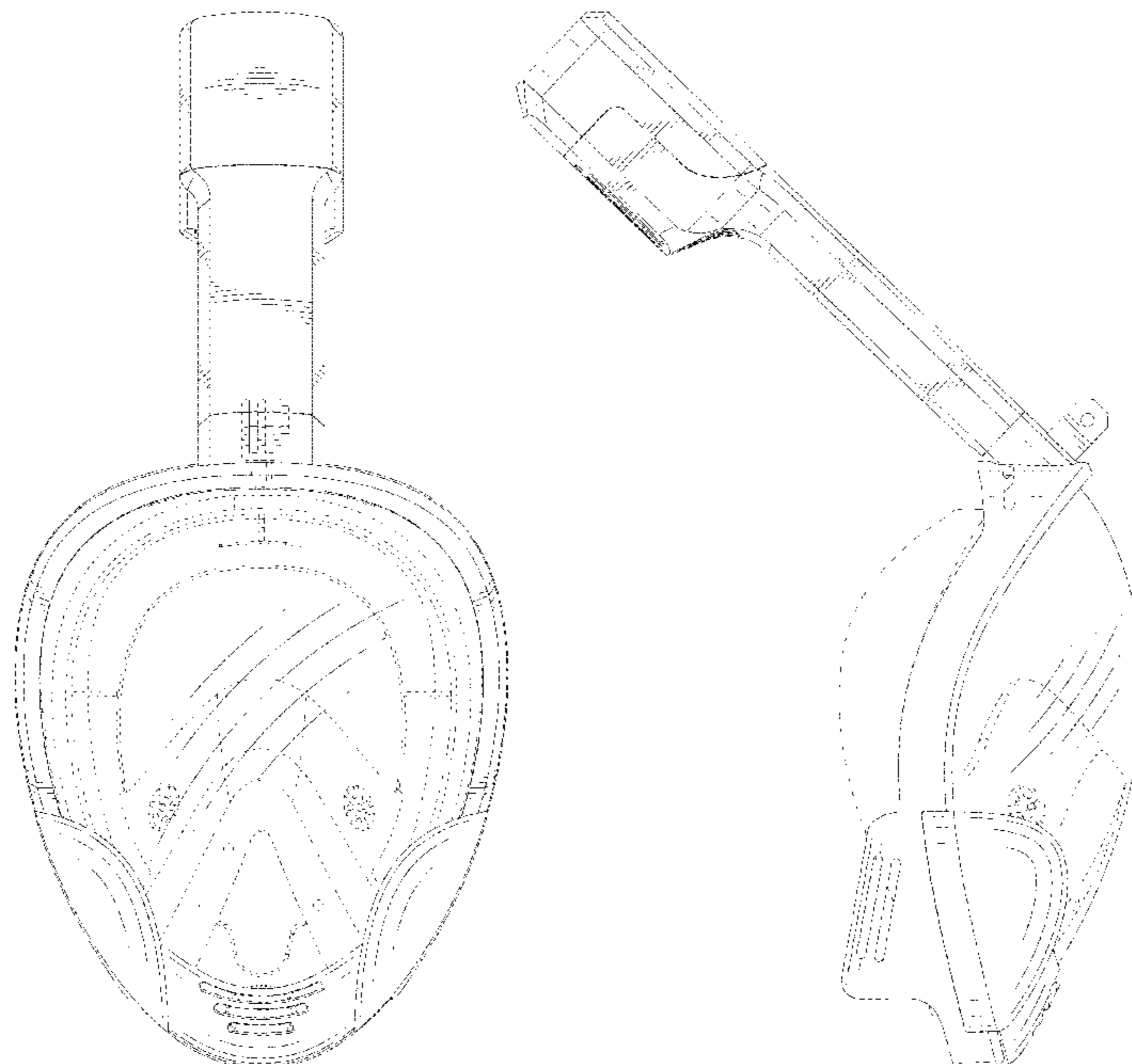
The broken lines in the drawings depict portions of the snorkel mask that form no part of the claim.

1 Claim, 9 Drawing Sheets

(56) **References Cited**

U.S. PATENT DOCUMENTS

D775,722 S * 1/2017 Caprice D24/110.2
D802,220 S * 11/2017 Farias D29/110
D838,358 S * 1/2019 Xu D24/110.2
D839,408 S * 1/2019 Hu D24/110.2
D849,932 S * 5/2019 Caprice D24/110.2
D852,265 S * 6/2019 Liao D16/330
D852,266 S * 6/2019 Liao D16/330
D859,642 S * 9/2019 Xiong D24/110.2
D860,436 S * 9/2019 Chen D24/110.2
2016/0297505 A1* 10/2016 Caprice B63C 11/16
2017/0096204 A1* 4/2017 Cucchia B63C 11/12
2017/0334531 A1* 11/2017 Shiue A62B 9/02
2018/0065719 A1* 3/2018 Liao B63C 11/14
2018/0134352 A1* 5/2018 Armani B63C 11/16
2018/0297676 A1* 10/2018 Zheng B63C 11/16
2018/0319471 A1* 11/2018 Thomas B63C 11/16



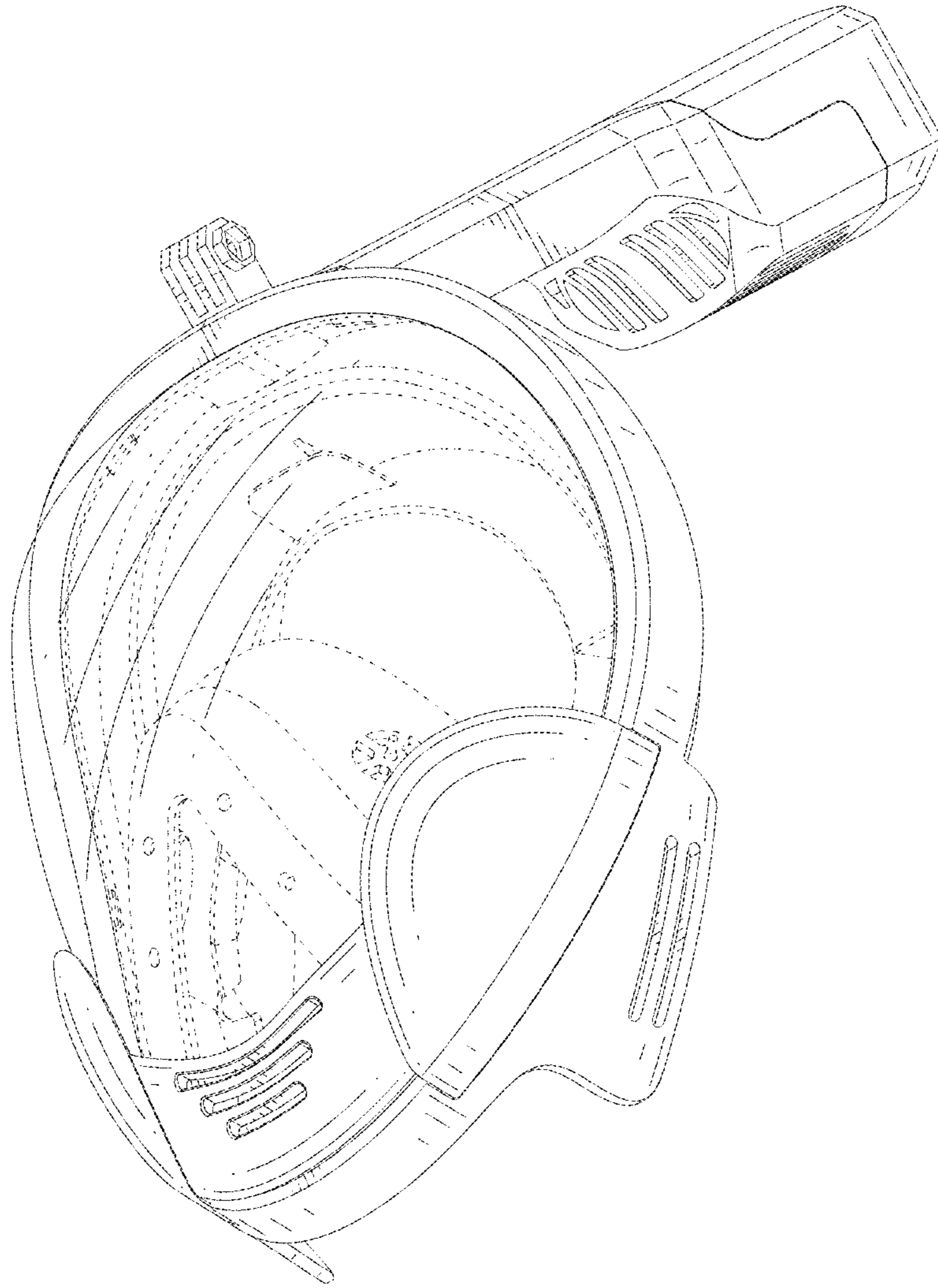


FIG. 1

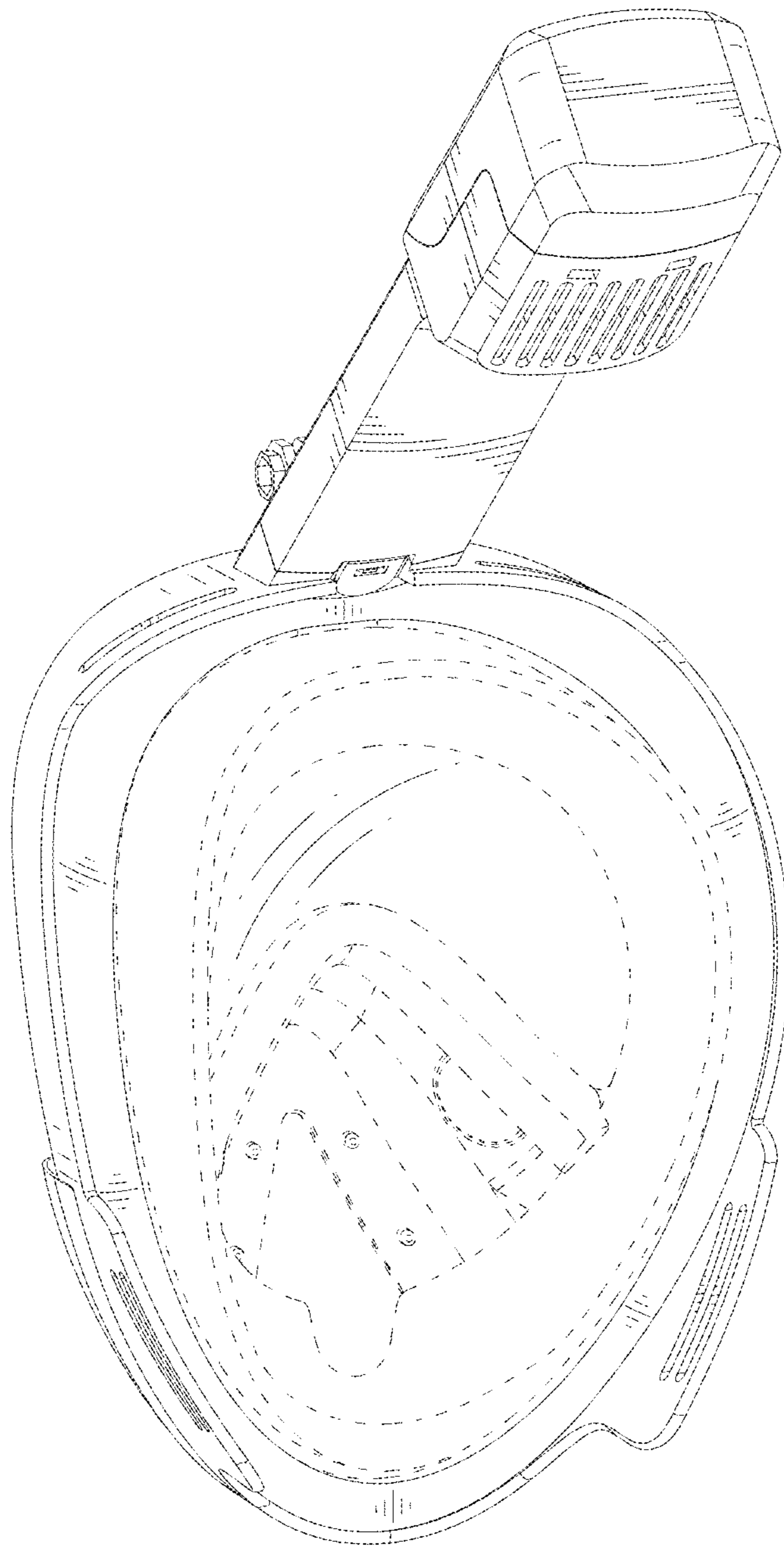


FIG.2

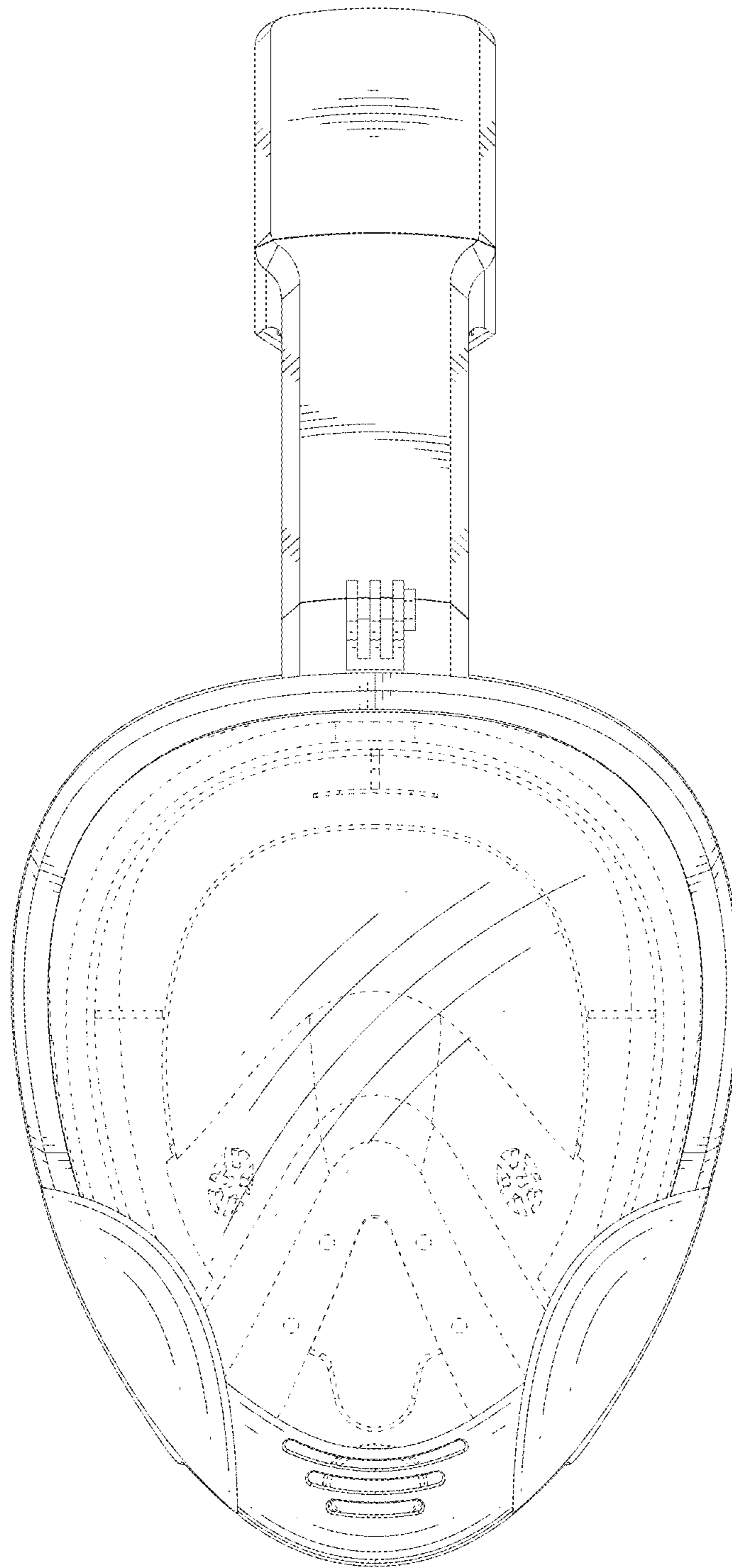


FIG.3

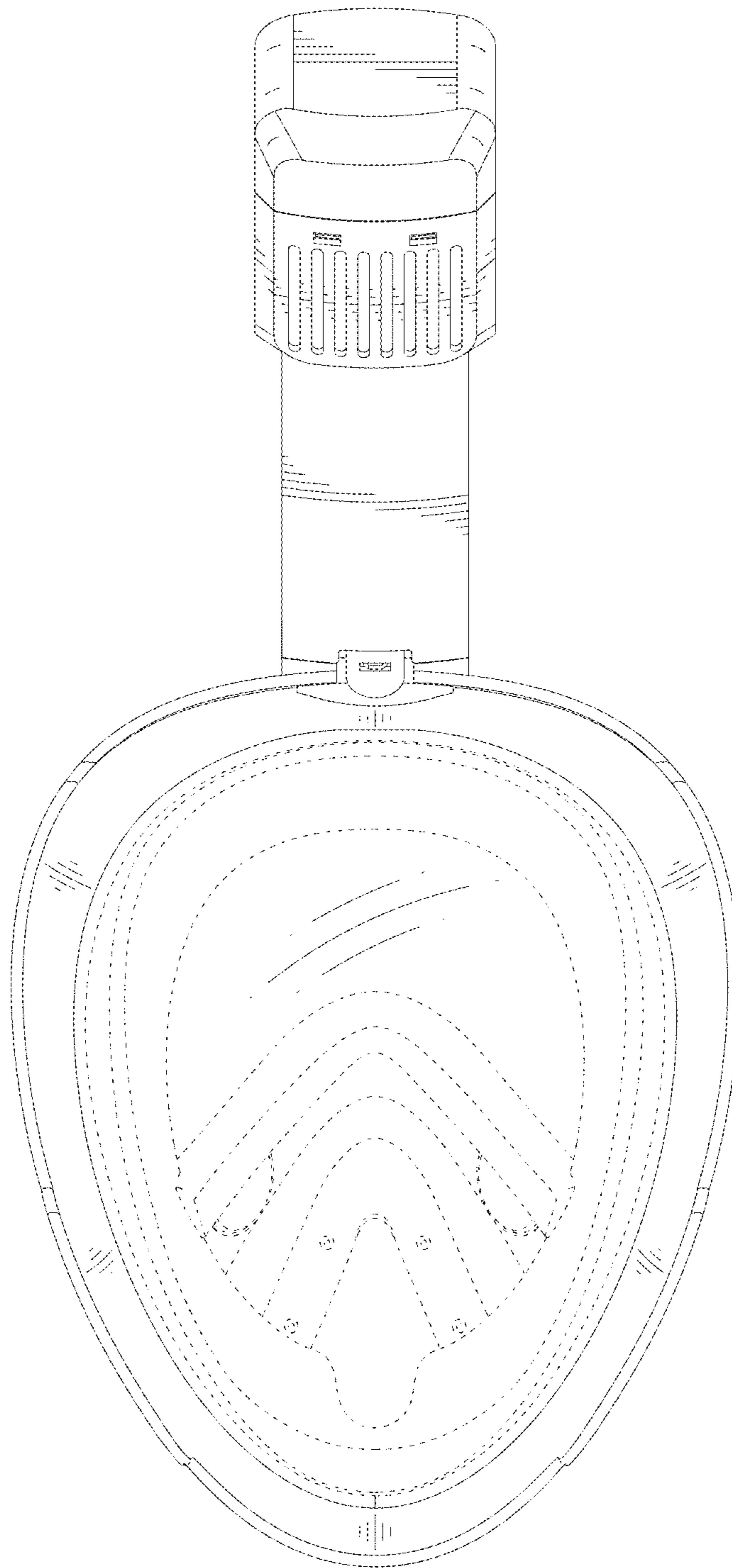


FIG.4

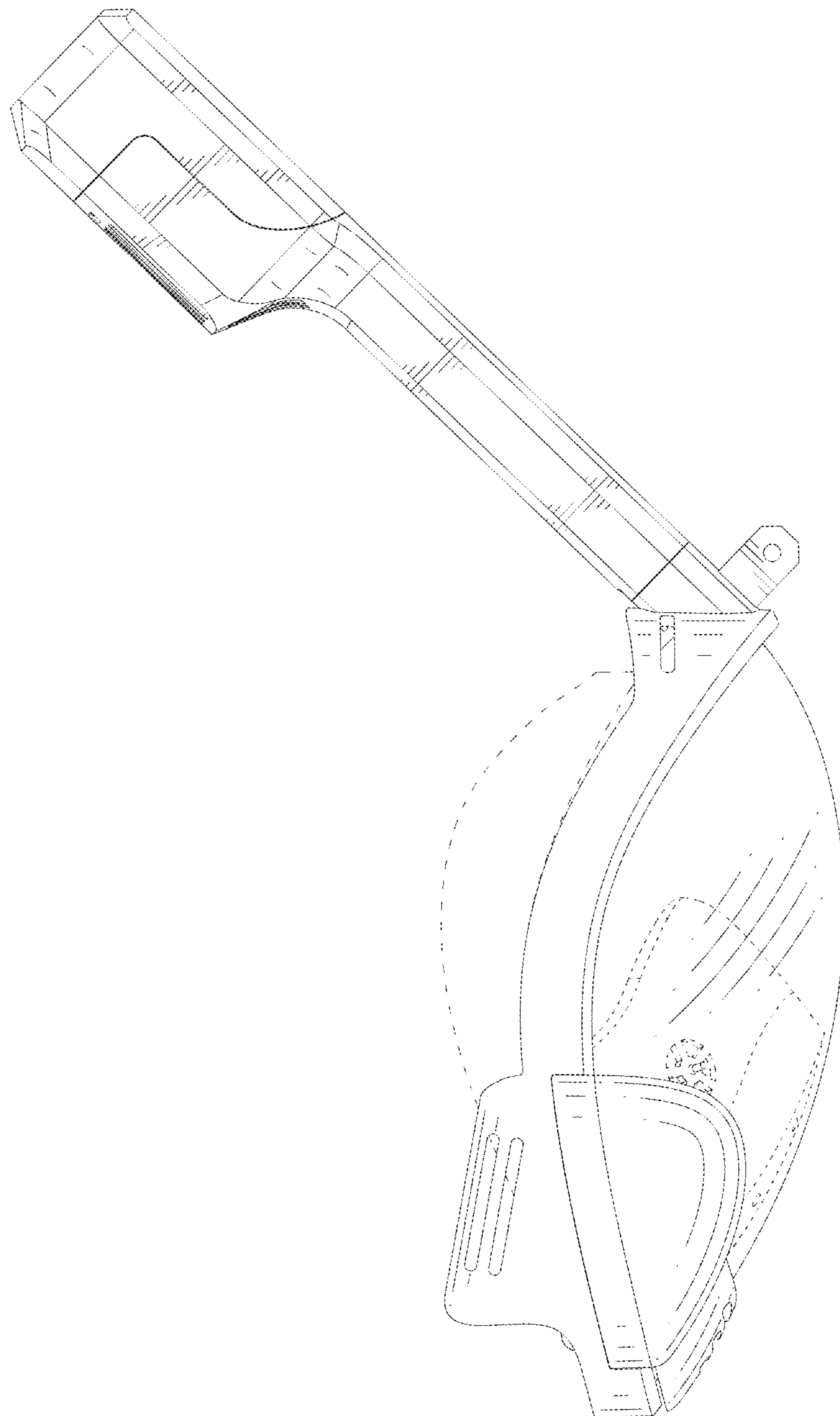


FIG.5

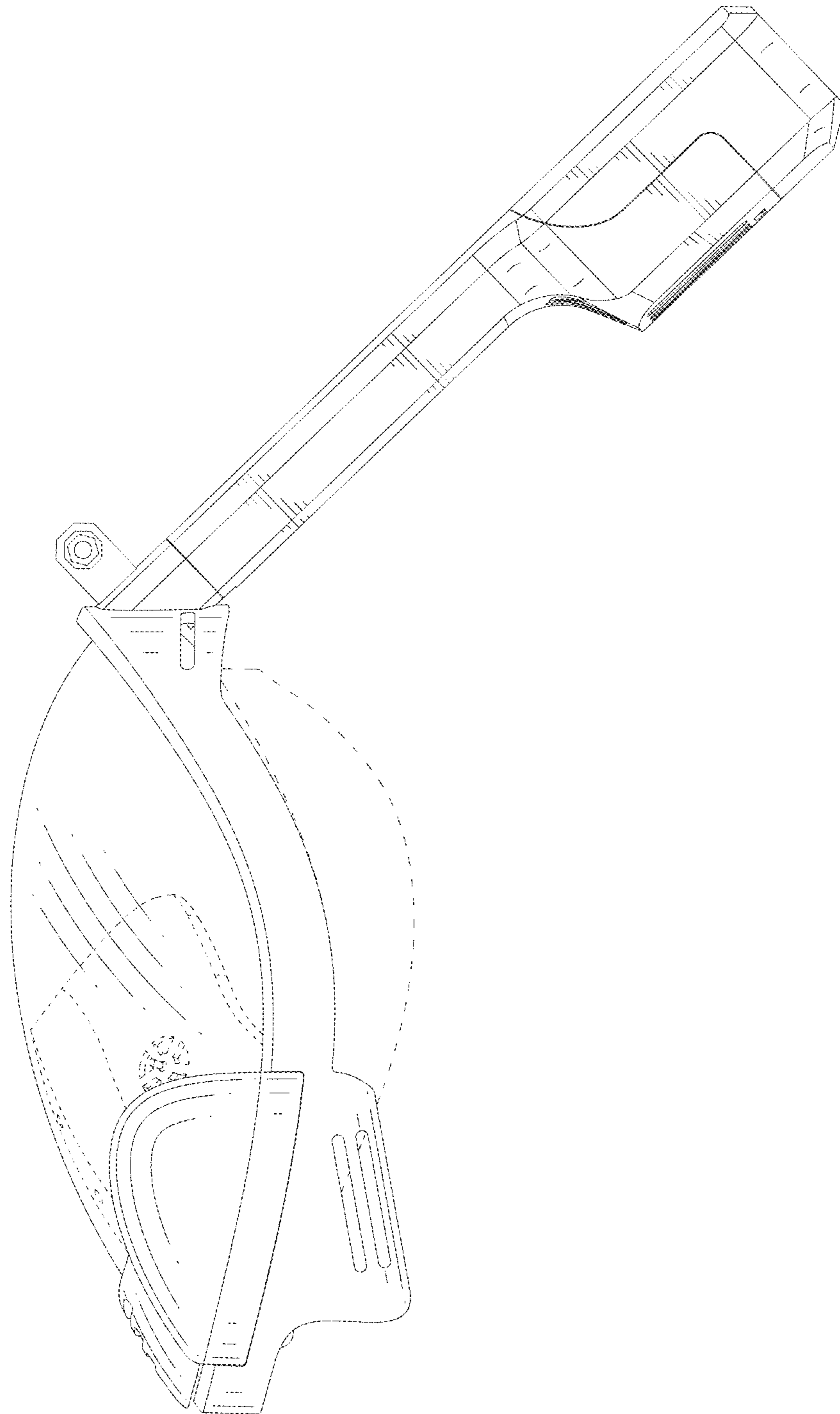


FIG.6

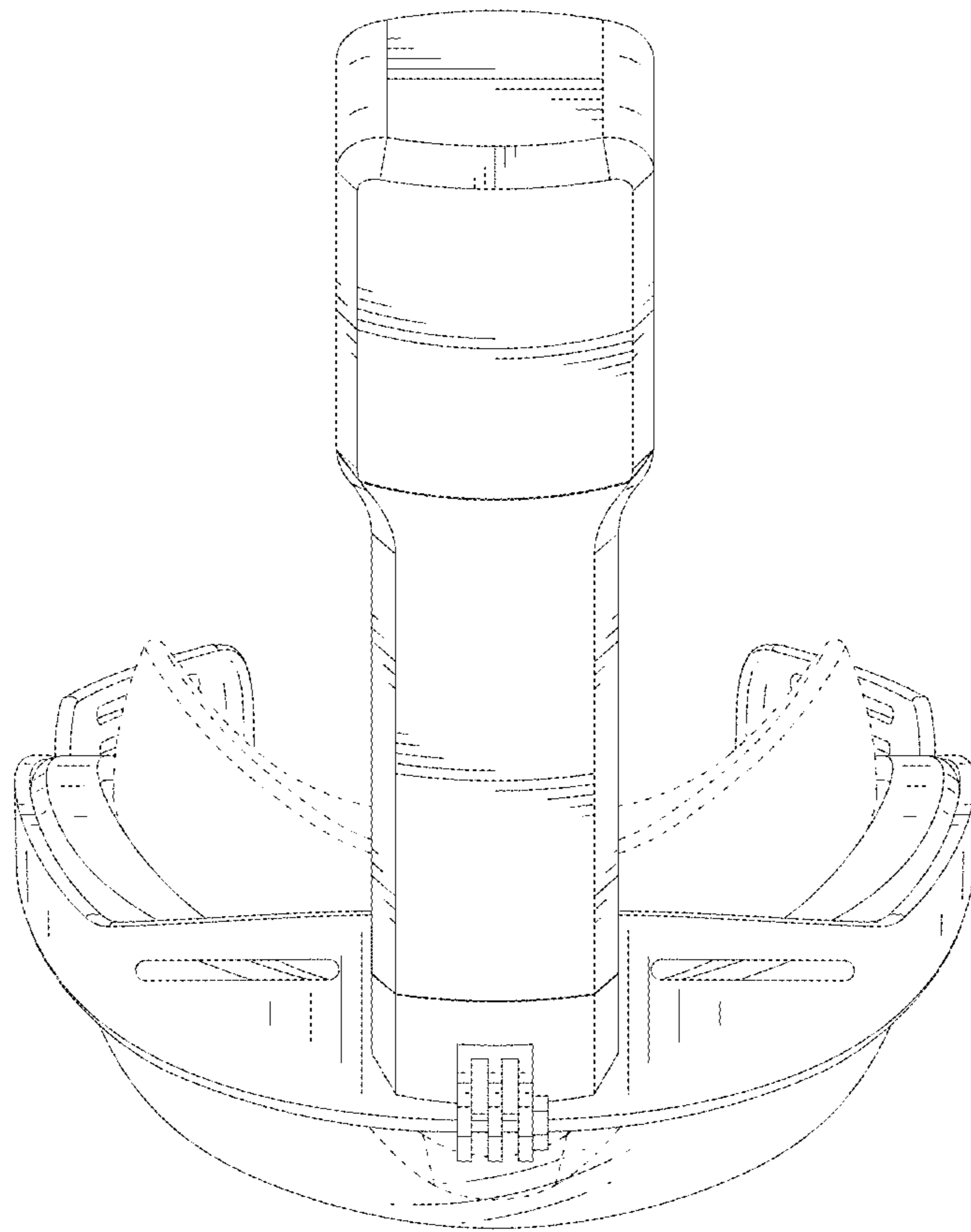


FIG. 7

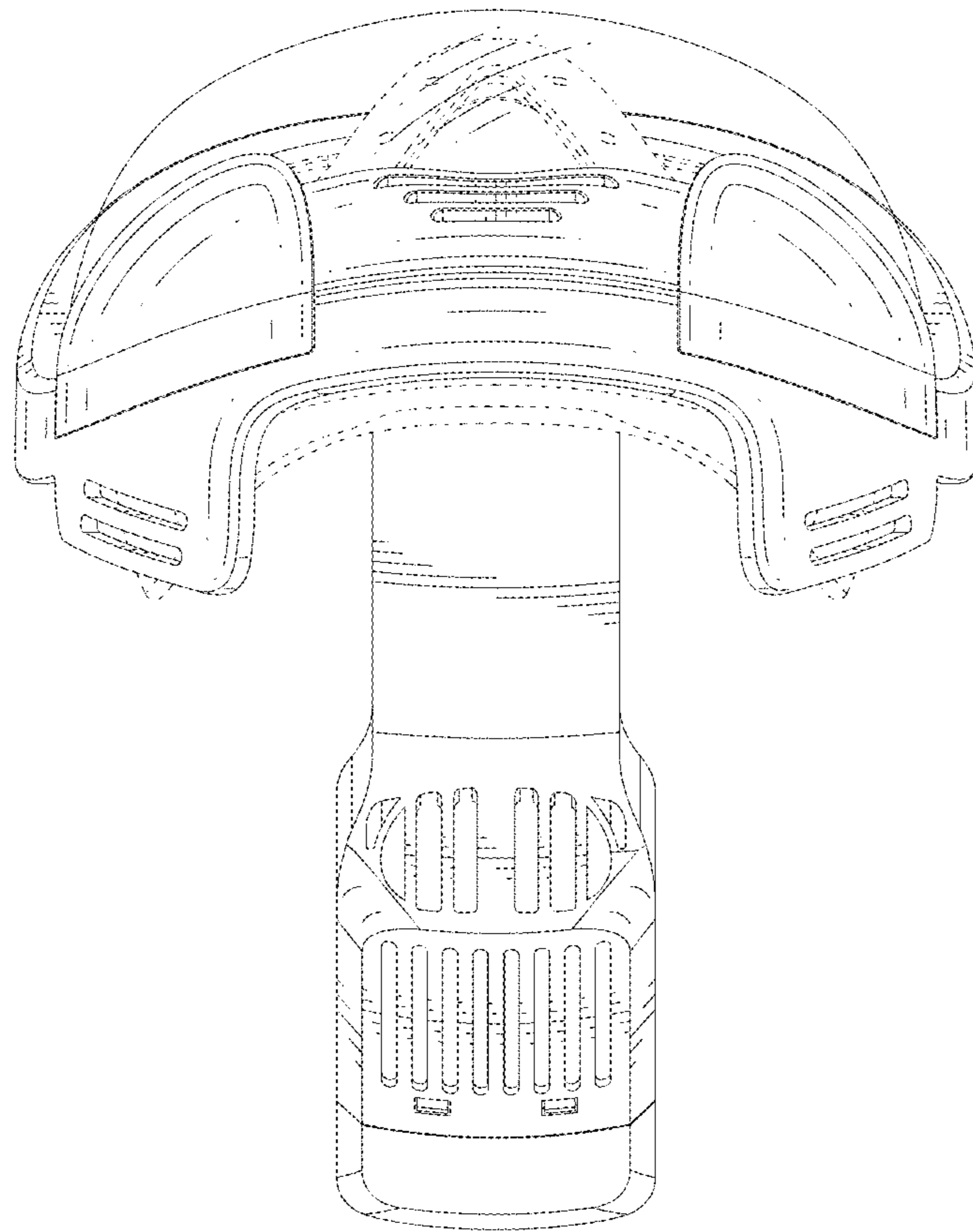


FIG.8

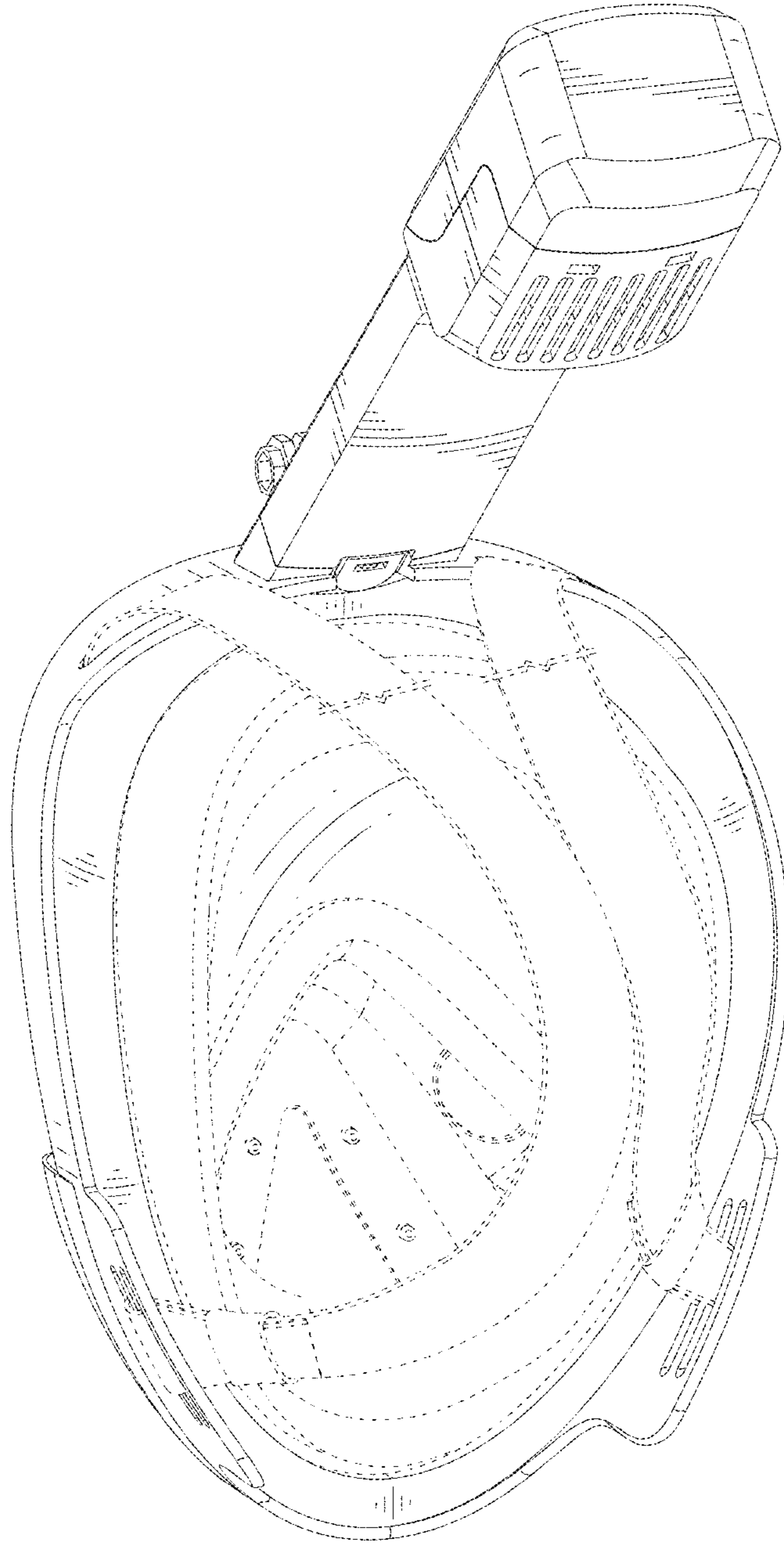


FIG.9